



TS200 series 在线手册

基本操作
维护
本机概述
纸张相关信息
打印
复印
常见问题
与错误对应的支持代码列表

目录

使用在线手册.....	7
该文档中使用的符号.....	8
已启用触摸功能的设备用户 (Windows).....	9
商标和许可协议.....	10
基本操作.....	21
从计算机打印照片.....	22
使用纸张、FINE 墨盒等.....	26
装入纸张.....	27
装入普通纸/照片纸.....	28
更换 FINE 墨盒.....	31
更换 FINE 墨盒.....	32
墨水提示.....	38
维护.....	39
如果打印变得暗淡或不均匀.....	40
维护步骤.....	41
打印喷嘴检查图案.....	44
检查喷嘴检查图案.....	45
清洗打印头.....	46
深度打印头清洗.....	47
清洁.....	48
清洁进纸滚轴.....	49
清洁打印机内部(底板清洁).....	50
概述.....	52
安全相关.....	53
安全注意事项.....	54
法规信息.....	55
WEEE (EU&EEA).....	56
使用注意事项.....	57
打印的法律限制.....	58
打印机使用注意事项.....	59

运输打印机.....	60
保持高打印质量.....	61
主要部件和使用方法.....	62
主要部件.....	63
前视图.....	64
后视图.....	65
内部视图.....	66
操作面板.....	67
电源供应.....	68
确认电源已开启.....	69
开启和关闭打印机.....	70
检查电源插头/电源线.....	72
拔出打印机插头.....	73
更改设置.....	74
从您的计算机中更改打印机设置(Windows).....	75
更改打印选项.....	76
注册常用打印配置文件.....	77
设置要使用的 FINE 墨盒.....	79
管理打印机电源.....	80
更改打印机操作模式.....	82
从操作面板更改设置.....	83
初始化打印机设置.....	84
规格.....	85
纸张相关信息.....	87
支持的介质类型.....	88
纸张装入限量.....	90
不支持的介质类型.....	91
处理纸张.....	92
打印.....	93
从计算机打印.....	94
从应用程序软件打印(Windows 打印机驱动程序).....	95
基本打印设置.....	96

打印机驱动程序上的纸张设置.....	99
多种打印方法.....	100
设置页尺寸和方向.....	101
设置打印份数和打印顺序.....	102
执行无边距打印.....	104
比例打印.....	106
页面布局打印.....	109
平铺/海报打印.....	111
双面打印.....	114
在明信片上打印.....	116
打印机驱动程序概述.....	117
Canon IJ 打印机驱动程序.....	118
打开打印机驱动程序的设置屏幕.....	119
Canon IJ 状态监视器.....	120
从计算机检查墨水状态.....	121
使用说明(打印机驱动程序).....	122
打印机驱动程序描述.....	123
快速设置选项卡描述.....	124
主要选项卡描述.....	129
页设置选项卡描述.....	134
维护选项卡描述.....	145
Canon IJ 状态监视器描述.....	147
安装打印机驱动程序.....	149
使用 Canon 应用程序软件打印.....	150
纸张设置.....	151
常见问题.....	153
打印问题.....	155
打印不开始.....	156
墨水未喷出.....	158
纸张没有正确送入/“无纸”错误.....	160
打印结果不理想.....	162
纸张空白/打印模糊不清/颜色错误/出现白色条纹.....	163
颜色不清晰.....	166
线条未对齐.....	168

纸张出现污迹/打印面有划痕.....	169
无法完成打印.....	172
线条不完整或缺失(Windows).....	173
图像不完整或缺失(Windows).....	174
墨水渍/纸张卷曲.....	175
纸张背面出现污迹.....	176
颜色不均匀或有条纹.....	177
打印中止.....	179
无法使用 AirPrint 打印.....	180
机械问题.....	181
打印机未开启.....	182
电源自动关闭.....	183
USB 连接问题.....	184
无法通过 USB 与打印机通讯.....	185
安装和下载问题.....	186
无法安装打印机驱动程序(Windows).....	187
错误和信息.....	189
发生错误.....	190
出现信息(支持代码).....	193
与错误对应的支持代码列表.....	199
与错误对应的支持代码列表(卡纸).....	200
1300.....	201
打印机内卡纸.....	202
1000.....	205
1200.....	206
1203.....	207
1401.....	208
1430.....	209
1485.....	210
1682.....	211
1686.....	212
1688.....	213
168A.....	214

1700.....	215
1890.....	216
4102.....	217
4103.....	218
5100.....	219
5200.....	220
5B00.....	221
6000.....	222

使用在线手册

- ▶ 操作环境
- ▶ 该文档中使用的符号
- ▶ 已启用触摸功能的设备用户 (Windows)
- ▶ 打印在线手册
- ▶ 商标和许可协议
- ▶ 本手册中的屏幕截图

该文档中使用的符号

警告

如果忽略说明，可能会由于不正确的设备操作而导致死亡或严重的人身伤害。为安全操作必须注意该说明。

注意

如果忽略说明，可能会由于不正确的设备操作而导致人身伤害或器材损坏。为安全操作必须注意该说明。

重要事项

包含重要信息的用法说明。要避免机器损坏、人身伤害或不正当使用本产品，请务必阅读这些指示。

注释

该说明包括对于操作和其他解释的注意事项。

基础

介绍产品基本操作的说明。

注释

- 根据产品，图标可能会有所不同。

已启用触摸功能的设备用户 (Windows)

对于触摸操作，需要使用操作系统中设置的操作替换本文档中的“右键单击”。例如，如果操作系统中设置的操作为“按住”，请将“右键单击”替换为“按住”。

商标和许可协议

- Microsoft 是 Microsoft Corporation 的注册商标。
- Windows 是 Microsoft Corporation 在美国和/或其他国家/地区的商标或注册商标。
- Windows Vista 是 Microsoft Corporation 在美国和/或其他国家/地区的商标或注册商标。
- Internet Explorer 是 Microsoft Corporation 在美国和/或其他国家/地区的商标或注册商标。
- Mac、Mac OS、AirPort、App Store、AirPrint、AirPrint 徽标、Safari、Bonjour、iPad、iPhone 和 iPod touch 是 Apple Inc.在美国和其他国家/地区注册的商标。macOS 是 Apple Inc.的商标。
- IOS 是 Cisco 在美国和其他国家/地区的商标或注册商标，在许可下使用。
- Google Cloud Print、Google Chrome、Chrome OS、Chromebook、Android、Google Play、Google Drive、Google Apps 和 Google Analytics 是 Google Inc.的注册商标或商标。
- Adobe、Flash、Photoshop、Photoshop Elements、Lightroom、Adobe RGB 和 Adobe RGB (1998)是 Adobe Systems Incorporated 在美国和/或其他国家/地区的注册商标或商标。
- Bluetooth 是 Bluetooth SIG, Inc., U.S.A.的商标并授权给 Canon Inc.
- Autodesk 和 AutoCAD 是 Autodesk, Inc.和/或其子公司和/或其关联公司在美国和/或其他国家/地区的注册商标或商标。

»» 注释

- Windows Vista 的正式名称为 Microsoft Windows Vista 操作系统。

Copyright (c) 2003-2015 Apple Inc. All rights reserved.

Redistribution and use in source and binary forms, with or without modification, are permitted provided that the following conditions are met:

1. Redistributions of source code must retain the above copyright notice, this list of conditions and the following disclaimer.
2. Redistributions in binary form must reproduce the above copyright notice, this list of conditions and the following disclaimer in the documentation and/or other materials provided with the distribution.
3. Neither the name of Apple Inc. ("Apple") nor the names of its contributors may be used to endorse or promote products derived from this software without specific prior written permission.

THIS SOFTWARE IS PROVIDED BY APPLE AND ITS CONTRIBUTORS "AS IS" AND ANY EXPRESS OR IMPLIED WARRANTIES, INCLUDING, BUT NOT LIMITED TO, THE IMPLIED WARRANTIES OF MERCHANTABILITY AND FITNESS FOR A PARTICULAR PURPOSE ARE DISCLAIMED. IN NO EVENT SHALL APPLE OR ITS CONTRIBUTORS BE LIABLE FOR ANY DIRECT, INDIRECT, INCIDENTAL, SPECIAL, EXEMPLARY, OR CONSEQUENTIAL DAMAGES (INCLUDING, BUT NOT LIMITED TO, PROCUREMENT OF SUBSTITUTE GOODS OR SERVICES; LOSS OF USE, DATA, OR PROFITS; OR BUSINESS INTERRUPTION) HOWEVER CAUSED AND ON ANY THEORY OF LIABILITY, WHETHER IN CONTRACT, STRICT LIABILITY, OR TORT (INCLUDING NEGLIGENCE OR OTHERWISE) ARISING IN ANY WAY OUT OF THE USE OF THIS SOFTWARE, EVEN IF ADVISED OF THE POSSIBILITY OF SUCH DAMAGE.

Apache License

Version 2.0, January 2004

<http://www.apache.org/licenses/>

TERMS AND CONDITIONS FOR USE, REPRODUCTION, AND DISTRIBUTION

1. Definitions.

"License" shall mean the terms and conditions for use, reproduction, and distribution as defined by Sections 1 through 9 of this document.

"Licensor" shall mean the copyright owner or entity authorized by the copyright owner that is granting the License.

"Legal Entity" shall mean the union of the acting entity and all other entities that control, are controlled by, or are under common control with that entity. For the purposes of this definition, "control" means (i) the power, direct or indirect, to cause the direction or management of such entity, whether by contract or otherwise, or (ii) ownership of fifty percent (50%) or more of the outstanding shares, or (iii) beneficial ownership of such entity.

"You" (or "Your") shall mean an individual or Legal Entity exercising permissions granted by this License.

"Source" form shall mean the preferred form for making modifications, including but not limited to software source code, documentation source, and configuration files.

"Object" form shall mean any form resulting from mechanical transformation or translation of a Source form, including but not limited to compiled object code, generated documentation, and conversions to other media types.

"Work" shall mean the work of authorship, whether in Source or Object form, made available under the License, as indicated by a copyright notice that is included in or attached to the work (an example is provided in the Appendix below).

"Derivative Works" shall mean any work, whether in Source or Object form, that is based on (or derived from) the Work and for which the editorial revisions, annotations, elaborations, or other modifications represent, as a whole, an original work of authorship. For the purposes of this License, Derivative Works shall not include works that remain separable from, or merely link (or bind by name) to the interfaces of, the Work and Derivative Works thereof.

"Contribution" shall mean any work of authorship, including the original version of the Work and any modifications or additions to that Work or Derivative Works thereof, that is intentionally submitted to Licensor for inclusion in the Work by the copyright owner or by an individual or Legal Entity authorized to submit on behalf of the copyright owner. For the purposes of this definition, "submitted" means any form of electronic, verbal, or written communication sent to the Licensor or its representatives, including but not limited to communication on electronic mailing lists, source code control systems, and issue tracking systems that are managed by, or on behalf of, the Licensor for the purpose of discussing and improving the Work, but excluding communication that is conspicuously marked or otherwise designated in writing by the copyright owner as "Not a Contribution."

"Contributor" shall mean Licensor and any individual or Legal Entity on behalf of whom a Contribution has been received by Licensor and subsequently incorporated within the Work.

2. Grant of Copyright License. Subject to the terms and conditions of this License, each Contributor hereby grants to You a perpetual, worldwide, non-exclusive, no-charge, royalty-free, irrevocable copyright license to reproduce, prepare Derivative Works of, publicly display, publicly perform, sublicense, and distribute the Work and such Derivative Works in Source or Object form.
3. Grant of Patent License. Subject to the terms and conditions of this License, each Contributor hereby grants to You a perpetual, worldwide, non-exclusive, no-charge, royalty-free, irrevocable (except as stated in this section) patent license to make, have made, use, offer to sell, sell, import, and otherwise transfer the Work, where such license applies only to those patent claims licensable by

such Contributor that are necessarily infringed by their Contribution(s) alone or by combination of their Contribution(s) with the Work to which such Contribution(s) was submitted. If You institute patent litigation against any entity (including a cross-claim or counterclaim in a lawsuit) alleging that the Work or a Contribution incorporated within the Work constitutes direct or contributory patent infringement, then any patent licenses granted to You under this License for that Work shall terminate as of the date such litigation is filed.

4. Redistribution. You may reproduce and distribute copies of the Work or Derivative Works thereof in any medium, with or without modifications, and in Source or Object form, provided that You meet the following conditions:
 1. You must give any other recipients of the Work or Derivative Works a copy of this License; and
 2. You must cause any modified files to carry prominent notices stating that You changed the files; and
 3. You must retain, in the Source form of any Derivative Works that You distribute, all copyright, patent, trademark, and attribution notices from the Source form of the Work, excluding those notices that do not pertain to any part of the Derivative Works; and
 4. If the Work includes a "NOTICE" text file as part of its distribution, then any Derivative Works that You distribute must include a readable copy of the attribution notices contained within such NOTICE file, excluding those notices that do not pertain to any part of the Derivative Works, in at least one of the following places: within a NOTICE text file distributed as part of the Derivative Works; within the Source form or documentation, if provided along with the Derivative Works; or, within a display generated by the Derivative Works, if and wherever such third-party notices normally appear. The contents of the NOTICE file are for informational purposes only and do not modify the License. You may add Your own attribution notices within Derivative Works that You distribute, alongside or as an addendum to the NOTICE text from the Work, provided that such additional attribution notices cannot be construed as modifying the License.

You may add Your own copyright statement to Your modifications and may provide additional or different license terms and conditions for use, reproduction, or distribution of Your modifications, or for any such Derivative Works as a whole, provided Your use, reproduction, and distribution of the Work otherwise complies with the conditions stated in this License.

5. Submission of Contributions. Unless You explicitly state otherwise, any Contribution intentionally submitted for inclusion in the Work by You to the Licensor shall be under the terms and conditions of this License, without any additional terms or conditions. Notwithstanding the above, nothing herein shall supersede or modify the terms of any separate license agreement you may have executed with Licensor regarding such Contributions.
6. Trademarks. This License does not grant permission to use the trade names, trademarks, service marks, or product names of the Licensor, except as required for reasonable and customary use in describing the origin of the Work and reproducing the content of the NOTICE file.
7. Disclaimer of Warranty. Unless required by applicable law or agreed to in writing, Licensor provides the Work (and each Contributor provides its Contributions) on an "AS IS" BASIS, WITHOUT WARRANTIES OR CONDITIONS OF ANY KIND, either express or implied, including, without limitation, any warranties or conditions of TITLE, NON-INFRINGEMENT, MERCHANTABILITY, or FITNESS FOR A PARTICULAR PURPOSE. You are solely responsible for determining the appropriateness of using or redistributing the Work and assume any risks associated with Your exercise of permissions under this License.
8. Limitation of Liability. In no event and under no legal theory, whether in tort (including negligence), contract, or otherwise, unless required by applicable law (such as deliberate and grossly negligent

acts) or agreed to in writing, shall any Contributor be liable to You for damages, including any direct, indirect, special, incidental, or consequential damages of any character arising as a result of this License or out of the use or inability to use the Work (including but not limited to damages for loss of goodwill, work stoppage, computer failure or malfunction, or any and all other commercial damages or losses), even if such Contributor has been advised of the possibility of such damages.

9. Accepting Warranty or Additional Liability. While redistributing the Work or Derivative Works thereof, You may choose to offer, and charge a fee for, acceptance of support, warranty, indemnity, or other liability obligations and/or rights consistent with this License. However, in accepting such obligations, You may act only on Your own behalf and on Your sole responsibility, not on behalf of any other Contributor, and only if You agree to indemnify, defend, and hold each Contributor harmless for any liability incurred by, or claims asserted against, such Contributor by reason of your accepting any such warranty or additional liability.

END OF TERMS AND CONDITIONS

---- Part 1: CMU/UCD copyright notice: (BSD like) ----

Copyright 1989, 1991, 1992 by Carnegie Mellon University

Derivative Work - 1996, 1998-2000

Copyright 1996, 1998-2000 The Regents of the University of California

All Rights Reserved

Permission to use, copy, modify and distribute this software and its documentation for any purpose and without fee is hereby granted, provided that the above copyright notice appears in all copies and that both that copyright notice and this permission notice appear in supporting documentation, and that the name of CMU and The Regents of the University of California not be used in advertising or publicity pertaining to distribution of the software without specific written permission.

CMU AND THE REGENTS OF THE UNIVERSITY OF CALIFORNIA DISCLAIM ALL WARRANTIES WITH REGARD TO THIS SOFTWARE, INCLUDING ALL IMPLIED WARRANTIES OF MERCHANTABILITY AND FITNESS. IN NO EVENT SHALL CMU OR THE REGENTS OF THE UNIVERSITY OF CALIFORNIA BE LIABLE FOR ANY SPECIAL, INDIRECT OR CONSEQUENTIAL DAMAGES OR ANY DAMAGES WHATSOEVER RESULTING FROM THE LOSS OF USE, DATA OR PROFITS, WHETHER IN AN ACTION OF CONTRACT, NEGLIGENCE OR OTHER TORTIOUS ACTION, ARISING OUT OF OR IN CONNECTION WITH THE USE OR PERFORMANCE OF THIS SOFTWARE.

---- Part 2: Networks Associates Technology, Inc copyright notice (BSD) ----

Copyright (c) 2001-2003, Networks Associates Technology, Inc

All rights reserved.

Redistribution and use in source and binary forms, with or without modification, are permitted provided that the following conditions are met:

- * Redistributions of source code must retain the above copyright notice, this list of conditions and the following disclaimer.
- * Redistributions in binary form must reproduce the above copyright notice, this list of conditions and the following disclaimer in the documentation and/or other materials provided with the distribution.
- * Neither the name of the Networks Associates Technology, Inc nor the names of its contributors may be used to endorse or promote products derived from this software without specific prior written permission.

THIS SOFTWARE IS PROVIDED BY THE COPYRIGHT HOLDERS AND CONTRIBUTORS ``AS IS" AND ANY EXPRESS OR IMPLIED WARRANTIES, INCLUDING, BUT NOT LIMITED TO, THE IMPLIED WARRANTIES OF MERCHANTABILITY AND FITNESS FOR A PARTICULAR PURPOSE ARE DISCLAIMED. IN NO EVENT SHALL THE COPYRIGHT HOLDERS OR CONTRIBUTORS BE LIABLE FOR ANY DIRECT, INDIRECT, INCIDENTAL, SPECIAL, EXEMPLARY, OR CONSEQUENTIAL DAMAGES (INCLUDING, BUT NOT LIMITED TO, PROCUREMENT OF SUBSTITUTE GOODS OR SERVICES; LOSS OF USE, DATA, OR PROFITS; OR BUSINESS INTERRUPTION) HOWEVER CAUSED AND ON ANY THEORY OF LIABILITY, WHETHER IN CONTRACT, STRICT LIABILITY, OR TORT (INCLUDING NEGLIGENCE OR OTHERWISE) ARISING IN ANY WAY OUT OF THE USE OF THIS SOFTWARE, EVEN IF ADVISED OF THE POSSIBILITY OF SUCH DAMAGE.

---- Part 3: Cambridge Broadband Ltd. copyright notice (BSD) ----

Portions of this code are copyright (c) 2001-2003, Cambridge Broadband Ltd.

All rights reserved.

Redistribution and use in source and binary forms, with or without modification, are permitted provided that the following conditions are met:

- * Redistributions of source code must retain the above copyright notice, this list of conditions and the following disclaimer.
- * Redistributions in binary form must reproduce the above copyright notice, this list of conditions and the following disclaimer in the documentation and/or other materials provided with the distribution.
- * The name of Cambridge Broadband Ltd. may not be used to endorse or promote products derived from this software without specific prior written permission.

THIS SOFTWARE IS PROVIDED BY THE COPYRIGHT HOLDER ``AS IS" AND ANY EXPRESS OR IMPLIED WARRANTIES, INCLUDING, BUT NOT LIMITED TO, THE IMPLIED WARRANTIES OF MERCHANTABILITY AND FITNESS FOR A PARTICULAR PURPOSE ARE DISCLAIMED. IN NO EVENT SHALL THE COPYRIGHT HOLDER BE LIABLE FOR ANY DIRECT, INDIRECT, INCIDENTAL, SPECIAL, EXEMPLARY, OR CONSEQUENTIAL DAMAGES (INCLUDING, BUT NOT LIMITED TO, PROCUREMENT OF SUBSTITUTE GOODS OR SERVICES; LOSS OF USE, DATA, OR PROFITS; OR BUSINESS INTERRUPTION) HOWEVER CAUSED AND ON ANY THEORY OF LIABILITY, WHETHER IN CONTRACT, STRICT LIABILITY, OR TORT (INCLUDING NEGLIGENCE OR OTHERWISE) ARISING IN ANY WAY OUT OF THE USE OF THIS SOFTWARE, EVEN IF ADVISED OF THE POSSIBILITY OF SUCH DAMAGE.

---- Part 4: Sun Microsystems, Inc. copyright notice (BSD) ----

Copyright c 2003 Sun Microsystems, Inc., 4150 Network Circle, Santa Clara, California 95054, U.S.A. All rights reserved.

Use is subject to license terms below.

This distribution may include materials developed by third parties.

Sun, Sun Microsystems, the Sun logo and Solaris are trademarks or registered trademarks of Sun Microsystems, Inc. in the U.S. and other countries.

Redistribution and use in source and binary forms, with or without modification, are permitted provided that the following conditions are met:

* Redistributions of source code must retain the above copyright notice, this list of conditions and the following disclaimer.

* Redistributions in binary form must reproduce the above copyright notice, this list of conditions and the following disclaimer in the documentation and/or other materials provided with the distribution.

* Neither the name of the Sun Microsystems, Inc. nor the names of its contributors may be used to endorse or promote products derived from this software without specific prior written permission.

THIS SOFTWARE IS PROVIDED BY THE COPYRIGHT HOLDERS AND CONTRIBUTORS ``AS IS" AND ANY EXPRESS OR IMPLIED WARRANTIES, INCLUDING, BUT NOT LIMITED TO, THE IMPLIED WARRANTIES OF MERCHANTABILITY AND FITNESS FOR A PARTICULAR PURPOSE ARE DISCLAIMED. IN NO EVENT SHALL THE COPYRIGHT HOLDERS OR CONTRIBUTORS BE LIABLE FOR ANY DIRECT, INDIRECT, INCIDENTAL, SPECIAL, EXEMPLARY, OR CONSEQUENTIAL DAMAGES (INCLUDING, BUT NOT LIMITED TO, PROCUREMENT OF SUBSTITUTE GOODS OR SERVICES; LOSS OF USE, DATA, OR PROFITS; OR BUSINESS INTERRUPTION) HOWEVER CAUSED AND ON ANY THEORY OF LIABILITY, WHETHER IN CONTRACT, STRICT LIABILITY, OR TORT (INCLUDING NEGLIGENCE OR OTHERWISE) ARISING IN ANY WAY OUT OF THE USE OF THIS SOFTWARE, EVEN IF ADVISED OF THE POSSIBILITY OF SUCH DAMAGE.

---- Part 5: Sparta, Inc copyright notice (BSD) ----

Copyright (c) 2003-2012, Sparta, Inc

All rights reserved.

Redistribution and use in source and binary forms, with or without modification, are permitted provided that the following conditions are met:

* Redistributions of source code must retain the above copyright notice, this list of conditions and the following disclaimer.

* Redistributions in binary form must reproduce the above copyright notice, this list of conditions and the following disclaimer in the documentation and/or other materials provided with the distribution.

* Neither the name of Sparta, Inc nor the names of its contributors may be used to endorse or promote products derived from this software without specific prior written permission.

THIS SOFTWARE IS PROVIDED BY THE COPYRIGHT HOLDERS AND CONTRIBUTORS ``AS IS" AND ANY EXPRESS OR IMPLIED WARRANTIES, INCLUDING, BUT NOT LIMITED TO, THE IMPLIED WARRANTIES OF MERCHANTABILITY AND FITNESS FOR A PARTICULAR PURPOSE ARE DISCLAIMED. IN NO EVENT SHALL THE COPYRIGHT HOLDERS OR CONTRIBUTORS BE LIABLE FOR ANY DIRECT, INDIRECT, INCIDENTAL, SPECIAL, EXEMPLARY, OR CONSEQUENTIAL DAMAGES (INCLUDING, BUT NOT LIMITED TO, PROCUREMENT OF SUBSTITUTE GOODS OR SERVICES; LOSS OF USE, DATA, OR PROFITS; OR BUSINESS INTERRUPTION) HOWEVER CAUSED AND ON ANY THEORY OF LIABILITY, WHETHER IN CONTRACT, STRICT LIABILITY, OR TORT (INCLUDING NEGLIGENCE OR OTHERWISE) ARISING IN ANY WAY OUT OF THE USE OF THIS SOFTWARE, EVEN IF ADVISED OF THE POSSIBILITY OF SUCH DAMAGE.

---- Part 6: Cisco/BUPTNIC copyright notice (BSD) ----

Copyright (c) 2004, Cisco, Inc and Information Network Center of Beijing University of Posts and Telecommunications.

All rights reserved.

Redistribution and use in source and binary forms, with or without modification, are permitted provided that the following conditions are met:

- * Redistributions of source code must retain the above copyright notice, this list of conditions and the following disclaimer.
- * Redistributions in binary form must reproduce the above copyright notice, this list of conditions and the following disclaimer in the documentation and/or other materials provided with the distribution.
- * Neither the name of Cisco, Inc, Beijing University of Posts and Telecommunications, nor the names of their contributors may be used to endorse or promote products derived from this software without specific prior written permission.

THIS SOFTWARE IS PROVIDED BY THE COPYRIGHT HOLDERS AND CONTRIBUTORS "AS IS" AND ANY EXPRESS OR IMPLIED WARRANTIES, INCLUDING, BUT NOT LIMITED TO, THE IMPLIED WARRANTIES OF MERCHANTABILITY AND FITNESS FOR A PARTICULAR PURPOSE ARE DISCLAIMED. IN NO EVENT SHALL THE COPYRIGHT HOLDERS OR CONTRIBUTORS BE LIABLE FOR ANY DIRECT, INDIRECT, INCIDENTAL, SPECIAL, EXEMPLARY, OR CONSEQUENTIAL DAMAGES (INCLUDING, BUT NOT LIMITED TO, PROCUREMENT OF SUBSTITUTE GOODS OR SERVICES; LOSS OF USE, DATA, OR PROFITS; OR BUSINESS INTERRUPTION) HOWEVER CAUSED AND ON ANY THEORY OF LIABILITY, WHETHER IN CONTRACT, STRICT LIABILITY, OR TORT (INCLUDING NEGLIGENCE OR OTHERWISE) ARISING IN ANY WAY OUT OF THE USE OF THIS SOFTWARE, EVEN IF ADVISED OF THE POSSIBILITY OF SUCH DAMAGE.

---- Part 7: Fabasoft R&D Software GmbH & Co KG copyright notice (BSD) ----

Copyright (c) Fabasoft R&D Software GmbH & Co KG, 2003 oss@fabasoft.com

Author: Bernhard Penz <bernhard.penz@fabasoft.com>

Redistribution and use in source and binary forms, with or without modification, are permitted provided that the following conditions are met:

- * Redistributions of source code must retain the above copyright notice, this list of conditions and the following disclaimer.
- * Redistributions in binary form must reproduce the above copyright notice, this list of conditions and the following disclaimer in the documentation and/or other materials provided with the distribution.
- * The name of Fabasoft R&D Software GmbH & Co KG or any of its subsidiaries, brand or product names may not be used to endorse or promote products derived from this software without specific prior written permission.

THIS SOFTWARE IS PROVIDED BY THE COPYRIGHT HOLDER "AS IS" AND ANY EXPRESS OR IMPLIED WARRANTIES, INCLUDING, BUT NOT LIMITED TO, THE IMPLIED WARRANTIES OF MERCHANTABILITY AND FITNESS FOR A PARTICULAR PURPOSE ARE DISCLAIMED. IN NO EVENT SHALL THE COPYRIGHT HOLDER BE LIABLE FOR ANY DIRECT, INDIRECT, INCIDENTAL, SPECIAL, EXEMPLARY, OR CONSEQUENTIAL DAMAGES (INCLUDING, BUT NOT LIMITED TO, PROCUREMENT OF SUBSTITUTE GOODS OR SERVICES; LOSS OF USE, DATA, OR PROFITS; OR BUSINESS INTERRUPTION) HOWEVER CAUSED AND ON ANY THEORY OF LIABILITY, WHETHER IN CONTRACT, STRICT LIABILITY, OR TORT (INCLUDING NEGLIGENCE OR OTHERWISE) ARISING IN ANY WAY OUT OF THE USE OF THIS SOFTWARE, EVEN IF ADVISED OF THE POSSIBILITY OF SUCH DAMAGE.

---- Part 8: Apple Inc. copyright notice (BSD) ----

Copyright (c) 2007 Apple Inc. All rights reserved.

Redistribution and use in source and binary forms, with or without modification, are permitted provided that the following conditions are met:

1. Redistributions of source code must retain the above copyright notice, this list of conditions and the following disclaimer.
2. Redistributions in binary form must reproduce the above copyright notice, this list of conditions and the following disclaimer in the documentation and/or other materials provided with the distribution.
3. Neither the name of Apple Inc. ("Apple") nor the names of its contributors may be used to endorse or promote products derived from this software without specific prior written permission.

THIS SOFTWARE IS PROVIDED BY APPLE AND ITS CONTRIBUTORS "AS IS" AND ANY EXPRESS OR IMPLIED WARRANTIES, INCLUDING, BUT NOT LIMITED TO, THE IMPLIED WARRANTIES OF MERCHANTABILITY AND FITNESS FOR A PARTICULAR PURPOSE ARE DISCLAIMED. IN NO EVENT SHALL APPLE OR ITS CONTRIBUTORS BE LIABLE FOR ANY DIRECT, INDIRECT, INCIDENTAL, SPECIAL, EXEMPLARY, OR CONSEQUENTIAL DAMAGES (INCLUDING, BUT NOT LIMITED TO, PROCUREMENT OF SUBSTITUTE GOODS OR SERVICES; LOSS OF USE, DATA, OR PROFITS; OR BUSINESS INTERRUPTION) HOWEVER CAUSED AND ON ANY THEORY OF LIABILITY, WHETHER IN CONTRACT, STRICT LIABILITY, OR TORT (INCLUDING NEGLIGENCE OR OTHERWISE) ARISING IN ANY WAY OUT OF THE USE OF THIS SOFTWARE, EVEN IF ADVISED OF THE POSSIBILITY OF SUCH DAMAGE.

---- Part 9: ScienceLogic, LLC copyright notice (BSD) ----

Copyright (c) 2009, ScienceLogic, LLC

All rights reserved.

Redistribution and use in source and binary forms, with or without modification, are permitted provided that the following conditions are met:

- * Redistributions of source code must retain the above copyright notice, this list of conditions and the following disclaimer.
- * Redistributions in binary form must reproduce the above copyright notice, this list of conditions and the following disclaimer in the documentation and/or other materials provided with the distribution.
- * Neither the name of ScienceLogic, LLC nor the names of its contributors may be used to endorse or promote products derived from this software without specific prior written permission.

THIS SOFTWARE IS PROVIDED BY THE COPYRIGHT HOLDERS AND CONTRIBUTORS "AS IS" AND ANY EXPRESS OR IMPLIED WARRANTIES, INCLUDING, BUT NOT LIMITED TO, THE IMPLIED WARRANTIES OF MERCHANTABILITY AND FITNESS FOR A PARTICULAR PURPOSE ARE DISCLAIMED. IN NO EVENT SHALL THE COPYRIGHT HOLDERS OR CONTRIBUTORS BE LIABLE FOR ANY DIRECT, INDIRECT, INCIDENTAL, SPECIAL, EXEMPLARY, OR CONSEQUENTIAL DAMAGES (INCLUDING, BUT NOT LIMITED TO, PROCUREMENT OF SUBSTITUTE GOODS OR SERVICES; LOSS OF USE, DATA, OR PROFITS; OR BUSINESS INTERRUPTION) HOWEVER CAUSED AND ON ANY THEORY OF LIABILITY, WHETHER IN CONTRACT, STRICT LIABILITY, OR TORT (INCLUDING NEGLIGENCE OR OTHERWISE) ARISING IN ANY WAY OUT OF THE USE OF THIS SOFTWARE, EVEN IF ADVISED OF THE POSSIBILITY OF SUCH DAMAGE.

LEADTOOLS

Copyright (C) 1991-2009 LEAD Technologies, Inc.

CMap Resources

Copyright 1990-2009 Adobe Systems Incorporated.
All rights reserved.

Copyright 1990-2010 Adobe Systems Incorporated.
All rights reserved.

Redistribution and use in source and binary forms, with or without modification, are permitted provided that the following conditions are met:

Redistributions of source code must retain the above copyright notice, this list of conditions and the following disclaimer.

Redistributions in binary form must reproduce the above copyright notice, this list of conditions and the following disclaimer in the documentation and/or other materials provided with the distribution.

Neither the name of Adobe Systems Incorporated nor the names of its contributors may be used to endorse or promote products derived from this software without specific prior written permission.

THIS SOFTWARE IS PROVIDED BY THE COPYRIGHT HOLDERS AND CONTRIBUTORS "AS IS" AND ANY EXPRESS OR IMPLIED WARRANTIES, INCLUDING, BUT NOT LIMITED TO, THE IMPLIED WARRANTIES OF MERCHANTABILITY AND FITNESS FOR A PARTICULAR PURPOSE ARE DISCLAIMED. IN NO EVENT SHALL THE COPYRIGHT HOLDER OR CONTRIBUTORS BE LIABLE FOR ANY DIRECT, INDIRECT, INCIDENTAL, SPECIAL, EXEMPLARY, OR CONSEQUENTIAL DAMAGES (INCLUDING, BUT NOT LIMITED TO, PROCUREMENT OF SUBSTITUTE GOODS OR SERVICES; LOSS OF USE, DATA, OR PROFITS; OR BUSINESS INTERRUPTION) HOWEVER CAUSED AND ON ANY THEORY OF LIABILITY, WHETHER IN CONTRACT, STRICT LIABILITY, OR TORT (INCLUDING NEGLIGENCE OR OTHERWISE) ARISING IN ANY WAY OUT OF THE USE OF THIS SOFTWARE, EVEN IF ADVISED OF THE POSSIBILITY OF SUCH DAMAGE.

MIT License

Copyright (c) 1998, 1999, 2000 Thai Open Source Software Center Ltd

Permission is hereby granted, free of charge, to any person obtaining a copy of this software and associated documentation files (the "Software"), to deal in the Software without restriction, including without limitation the rights to use, copy, modify, merge, publish, distribute, sublicense, and/or sell copies of the Software, and to permit persons to whom the Software is furnished to do so, subject to the following conditions:

The above copyright notice and this permission notice shall be included in all copies or substantial portions of the Software.

THE SOFTWARE IS PROVIDED "AS IS", WITHOUT WARRANTY OF ANY KIND, EXPRESS OR IMPLIED, INCLUDING BUT NOT LIMITED TO THE WARRANTIES OF MERCHANTABILITY, FITNESS FOR A PARTICULAR PURPOSE AND NONINFRINGEMENT. IN NO EVENT SHALL THE AUTHORS OR COPYRIGHT HOLDERS BE LIABLE FOR ANY CLAIM, DAMAGES OR OTHER LIABILITY, WHETHER IN AN ACTION OF CONTRACT, TORT OR OTHERWISE, ARISING FROM, OUT OF OR IN CONNECTION WITH THE SOFTWARE OR THE USE OR OTHER DEALINGS IN THE SOFTWARE.

Written by Joel Sherrill <joel@OARcorp.com>.

COPYRIGHT (c) 1989-2000.

On-Line Applications Research Corporation (OAR).

Permission to use, copy, modify, and distribute this software for any purpose without fee is hereby granted, provided that this entire notice is included in all copies of any software which is or includes a copy or modification of this software.

THIS SOFTWARE IS BEING PROVIDED "AS IS", WITHOUT ANY EXPRESS OR IMPLIED WARRANTY. IN PARTICULAR, THE AUTHOR MAKES NO REPRESENTATION OR WARRANTY OF ANY KIND CONCERNING THE MERCHANTABILITY OF THIS SOFTWARE OR ITS FITNESS FOR ANY PARTICULAR PURPOSE.

(1) Red Hat Incorporated

Copyright (c) 1994-2009 Red Hat, Inc. All rights reserved.

This copyrighted material is made available to anyone wishing to use, modify, copy, or redistribute it subject to the terms and conditions of the BSD License. This program is distributed in the hope that it will be useful, but WITHOUT ANY WARRANTY expressed or implied, including the implied warranties of MERCHANTABILITY or FITNESS FOR A PARTICULAR PURPOSE. A copy of this license is available at <http://www.opensource.org/licenses>. Any Red Hat trademarks that are incorporated in the source code or documentation are not subject to the BSD License and may only be used or replicated with the express permission of Red Hat, Inc.

(2) University of California, Berkeley

Copyright (c) 1981-2000 The Regents of the University of California.

All rights reserved.

Redistribution and use in source and binary forms, with or without modification, are permitted provided that the following conditions are met:

- * Redistributions of source code must retain the above copyright notice, this list of conditions and the following disclaimer.
- * Redistributions in binary form must reproduce the above copyright notice, this list of conditions and the following disclaimer in the documentation and/or other materials provided with the distribution.
- * Neither the name of the University nor the names of its contributors may be used to endorse or promote products derived from this software without specific prior written permission.

THIS SOFTWARE IS PROVIDED BY THE COPYRIGHT HOLDERS AND CONTRIBUTORS "AS IS" AND ANY EXPRESS OR IMPLIED WARRANTIES, INCLUDING, BUT NOT LIMITED TO, THE IMPLIED WARRANTIES OF MERCHANTABILITY AND FITNESS FOR A PARTICULAR PURPOSE ARE

DISCLAIMED. IN NO EVENT SHALL THE COPYRIGHT OWNER OR CONTRIBUTORS BE LIABLE FOR ANY DIRECT, INDIRECT, INCIDENTAL, SPECIAL, EXEMPLARY, OR CONSEQUENTIAL DAMAGES (INCLUDING, BUT NOT LIMITED TO, PROCUREMENT OF SUBSTITUTE GOODS OR SERVICES; LOSS OF USE, DATA, OR PROFITS; OR BUSINESS INTERRUPTION) HOWEVER CAUSED AND ON ANY THEORY OF LIABILITY, WHETHER IN CONTRACT, STRICT LIABILITY, OR TORT (INCLUDING NEGLIGENCE OR OTHERWISE) ARISING IN ANY WAY OUT OF THE USE OF THIS SOFTWARE, EVEN IF ADVISED OF THE POSSIBILITY OF SUCH DAMAGE.

以下仅适用于支持 Wi-Fi 的产品。

(c) 2009-2013 by Jeff Mott. All rights reserved.

Redistribution and use in source and binary forms, with or without modification, are permitted provided that the following conditions are met:

- * Redistributions of source code must retain the above copyright notice, this list of conditions, and the following disclaimer.
- * Redistributions in binary form must reproduce the above copyright notice, this list of conditions, and the following disclaimer in the documentation or other materials provided with the distribution.
- * Neither the name CryptoJS nor the names of its contributors may be used to endorse or promote products derived from this software without specific prior written permission.

THIS SOFTWARE IS PROVIDED BY THE COPYRIGHT HOLDERS AND CONTRIBUTORS "AS IS," AND ANY EXPRESS OR IMPLIED WARRANTIES, INCLUDING, BUT NOT LIMITED TO, THE IMPLIED WARRANTIES OF MERCHANTABILITY AND FITNESS FOR A PARTICULAR PURPOSE, ARE DISCLAIMED. IN NO EVENT SHALL THE COPYRIGHT HOLDER OR CONTRIBUTORS BE LIABLE FOR ANY DIRECT, INDIRECT, INCIDENTAL, SPECIAL, EXEMPLARY, OR CONSEQUENTIAL DAMAGES (INCLUDING, BUT NOT LIMITED TO, PROCUREMENT OF SUBSTITUTE GOODS OR SERVICES; LOSS OF USE, DATA, OR PROFITS; OR BUSINESS INTERRUPTION) HOWEVER CAUSED AND ON ANY THEORY OF LIABILITY, WHETHER IN CONTRACT, STRICT LIABILITY, OR TORT (INCLUDING NEGLIGENCE OR OTHERWISE) ARISING IN ANY WAY OUT OF THE USE OF THIS SOFTWARE, EVEN IF ADVISED OF THE POSSIBILITY OF SUCH DAMAGE.

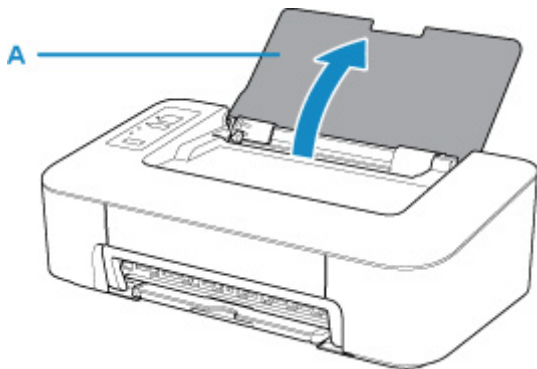
基本操作

- ▶ 从计算机打印照片

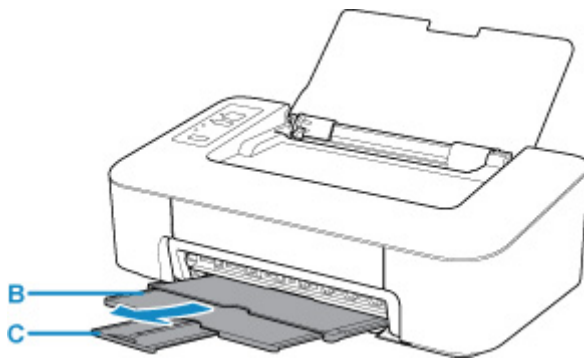
从计算机打印照片

本节描述如何使用 My Image Garden 打印照片。

1. 打开靠纸架(A)。

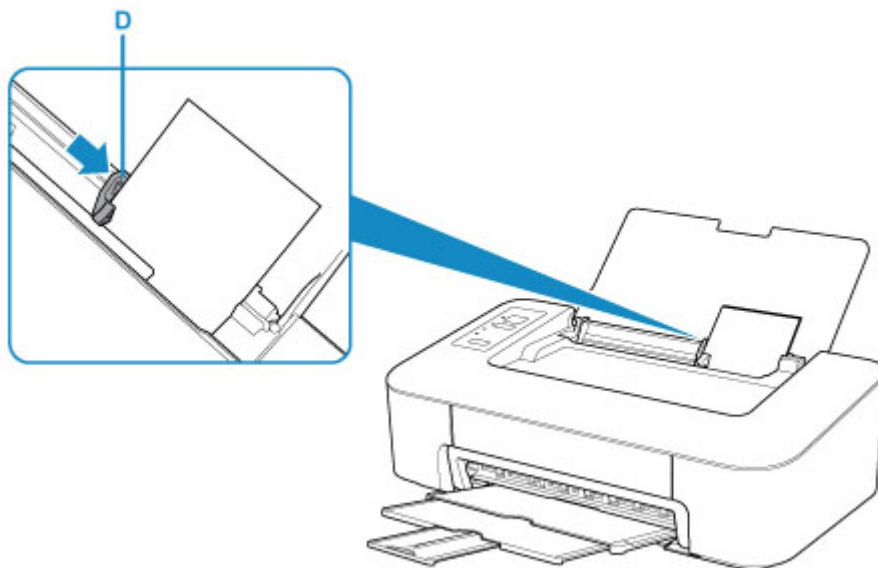


2. 拉出出纸托盘(B)和出纸托盘扩展架(C)。



3. 以打印面朝向自己垂直装入纸张。

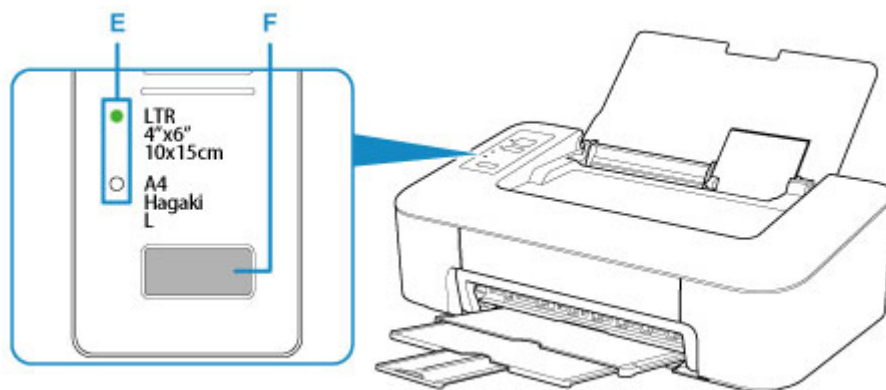
4. 调整纸张导片(D)与纸张左侧对齐。



在后端托盘中装入纸张后，其中一个**纸张**指示灯会亮起。

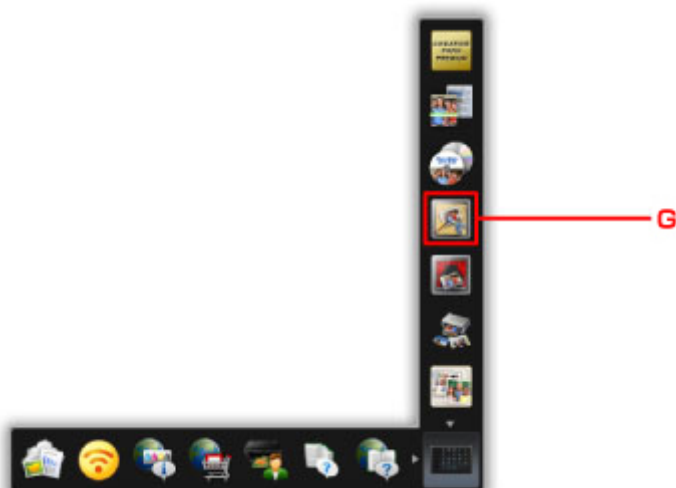
5. 检查纸张尺寸设置。

如果后端托盘中装入的纸张尺寸与**纸张**指示灯所示(E)不同，请按**纸张选择**按钮(F)更改选择。



6. 在 Quick Menu 中单击 My Image Garden 图标(G)。

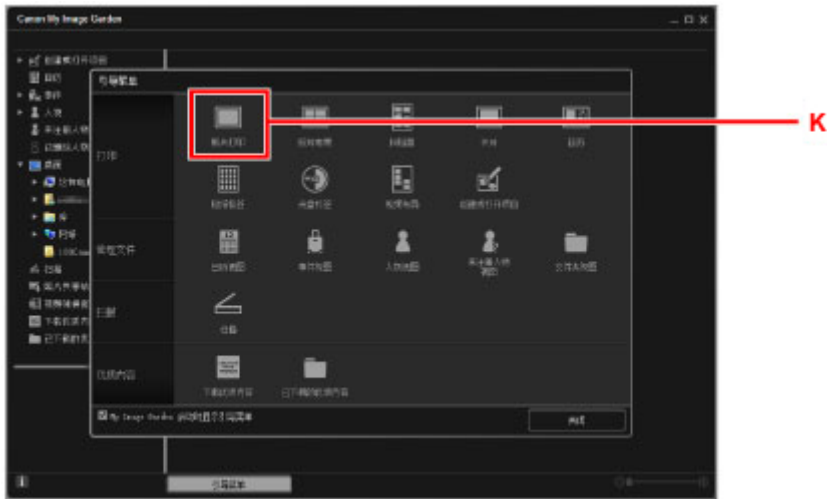
显示**引导菜单**屏幕。



注 释

- 根据地区、注册的打印机/扫描仪和安装的应用程序的不同，显示的图标数目和类型会有所不同。

7. 单击**照片打印**图标(H)。



8. 单击包含要打印照片的文件夹(I)。

9. 单击要打印的照片(J)。

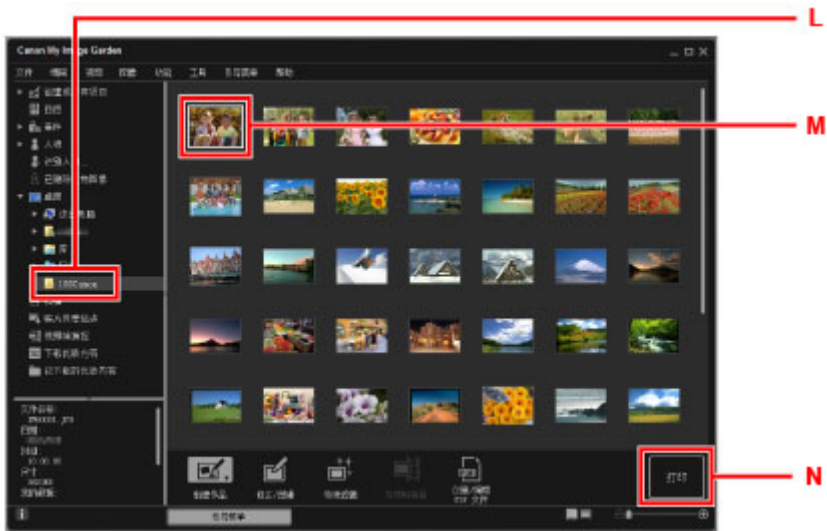
对于 Windows:

要一次选择两个或更多的照片，在按下 Ctrl 键时单击照片。

对于 macOS:

要一次选择两个或更多的照片，在按下命令键时单击照片。

10. 单击打印(K)。



11. 指定份数等。

对于 Windows:

指定打印份数、打印机名称、介质类型等。

对于 macOS:

指定份数。

12. 开始打印。

对于 Windows:

单击**打印**。

对于 macOS:

单击**打印**。

打印对话框打开后，指定打印机名称、纸张尺寸等，然后单击**打印**。

►► 注释

- My Image Garden 可以让您在计算机上以多种方式使用图像，如使用数码相机拍摄的照片。
 - 对于 Windows:
 - My Image Garden 指南
 - 对于 macOS:
 - My Image Garden 指南
- 如果 macOS 上未显示打印机，My Image Garden 中的 AirPrint 设置可能不正确。有关如何正确设置的详细资料，请参阅页面下方有关已启用 AirPrint 的打印机的标题。
 - 根据打印机状态进行设置

使用纸张、FINE 墨盒等

- ▶ [装入纸张](#)
- ▶ [更换 FINE 墨盒](#)

装入纸张

- ▶ 装入普通纸/照片纸

装入普通纸/照片纸

可以装入普通纸或照片纸。

重要事项

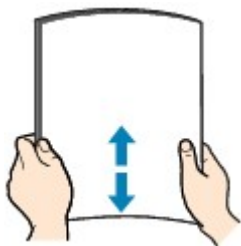
- 如果将普通纸剪切为小尺寸进行试打印，如 10 x 15 厘米(4" x 6")，可能会造成卡纸。

注释

- 建议使用 Canon 原装照片纸打印照片。
有关 Canon 原装纸张的详细资料，请参见[支持的介质类型](#)。
- 可以使用普通的复印纸或 Canon Red Label Superior WOP111/Canon Océ Office Colour Paper SAT213。
有关本打印机可以使用的页尺寸和纸张重量，请参见[支持的介质类型](#)。

1. 准备纸张。

对齐纸张的边缘。如果纸张卷曲，将其平整。

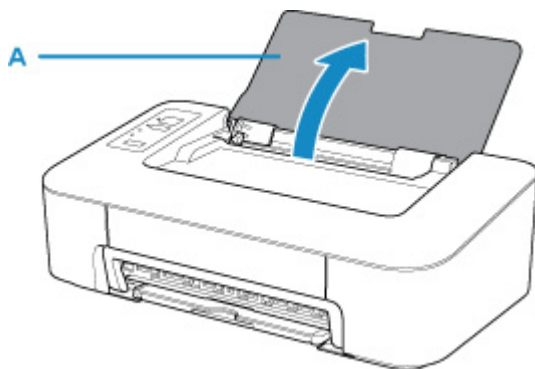


注释

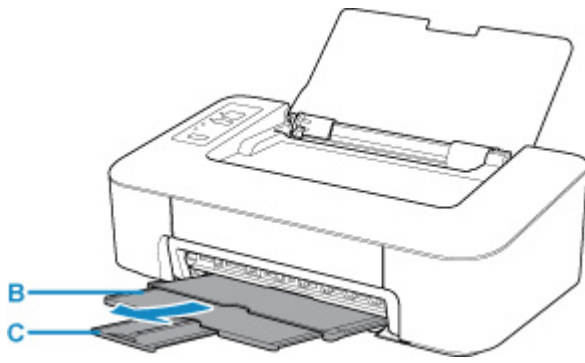
- 装入前请先将纸张的边缘完全对齐。装入纸张时没有对齐纸张边缘可能会造成卡纸。
- 如果纸张卷曲，请持着卷曲的角并轻轻地向反方向弯曲纸张，直至纸张完全平整。
有关如何平整卷曲纸张的详细资料，请参见[纸张出现污迹/打印面有划痕](#)中的 **检查 3**。

2. 装入纸张。

1. 打开靠纸架(A)。



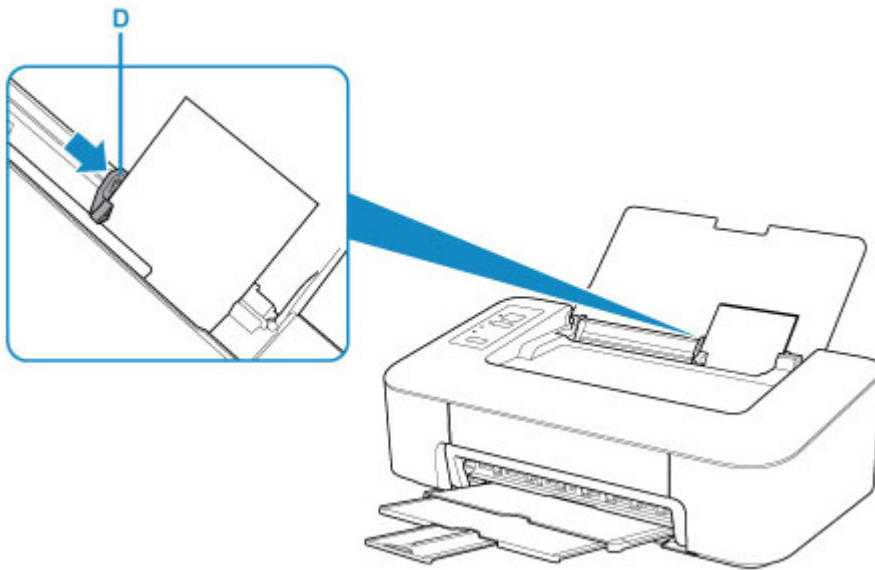
2. 拉出出纸托盘(B)和出纸托盘扩展架(C)。



3. 将纸张打印面朝向自己沿后端托盘的最右侧垂直装入。

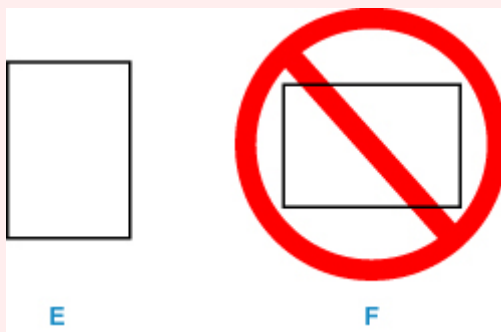
4. 调整纸张导片(D)与纸张左侧对齐。

请勿过于用力移动纸张导片以紧靠纸张。否则，纸张可能无法正确地送入。



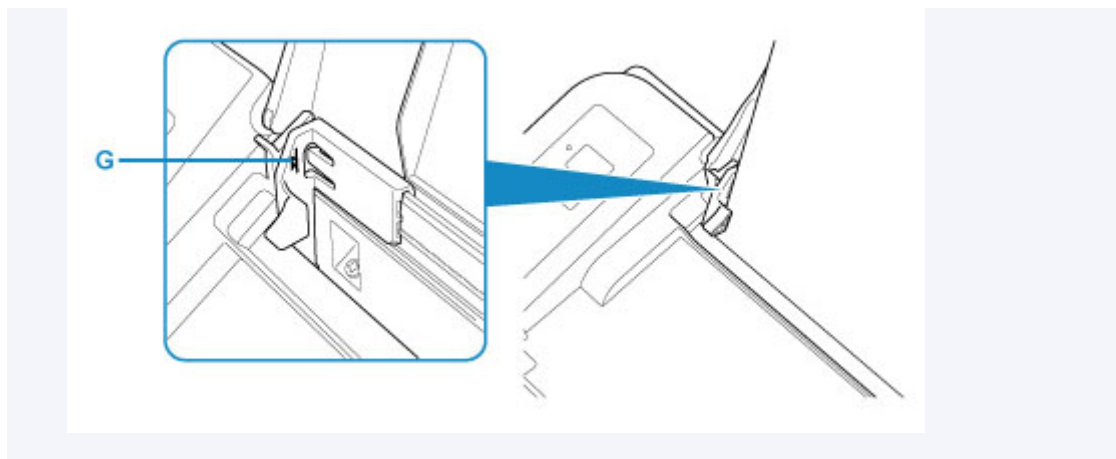
重要事项

- 请务必纵向(E)装入纸张。横向(F)装入纸张会造成卡纸。



注释

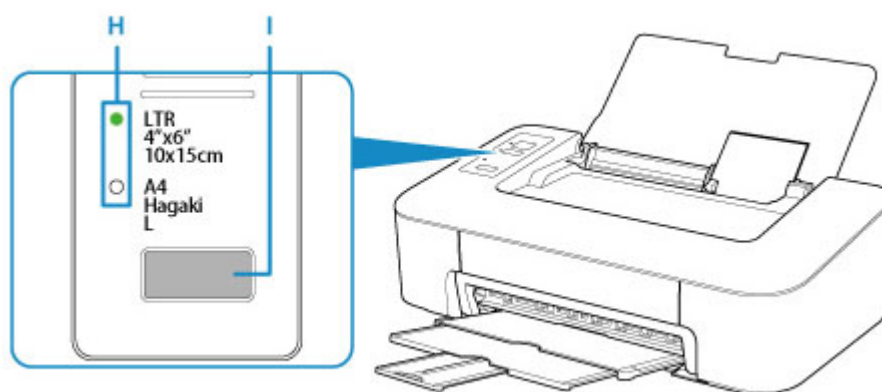
- 请勿使装入的纸张超出装入限量标记(G)。



在后端托盘中装入纸张后，其中一个**纸张**指示灯会根据最后装入的纸张尺寸亮起。

5. 检查纸张尺寸设置。

如果后端托盘中装入的纸张尺寸与**纸张**指示灯所示(H)不同，请按**纸张选择**按钮(I)更改选择。



►► 注释

- 装入纸张后，在计算机的打印设置屏幕上选择装入纸张的尺寸和类型。
 - 存在多种类型的纸张，如表面覆有特殊涂膜的用于打印最佳质量照片的纸张，以及适合打印文档的纸张。每一种介质类型都有特定的预置设置(如何使用墨水、如何喷出墨水或到喷嘴的距离等)，可以在该类型介质上打印出最佳图像质量。错误的纸张设置可能造成打印颜色质量欠佳，或造成打印面出现划痕。如果发现模糊不清或颜色不均匀，请提高打印质量设置并再次尝试打印。
 - 为防止错误打印，本打印机具有一项检测功能，此功能检测为装入后端托盘的纸张所设置的尺寸是否与纸张设置相匹配。打印前，根据后端托盘的纸张尺寸设置进行纸张设置。启用此功能时，如果这些设置不匹配，**警告**指示灯会闪烁以防止错误打印。如果**警告**指示灯闪烁，请检查并修正纸张设置。

更换 FINE 墨盒

- ▶ 更换 FINE 墨盒
- ▶ 墨水提示

更换 FINE 墨盒

出现剩余墨水警告或错误时，**警告**指示灯将闪烁以提示出现错误。在这种状态下，打印机无法进行打印。计算闪烁次数并采取适当措施。

■ 发生错误

使用打印机时，出纸槽周围可能被墨水弄脏。

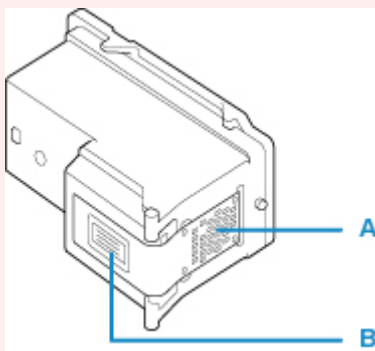
更换 FINE 墨盒之前，请清洗出纸槽的周围。

更换步骤

需要更换 FINE 墨盒时，请按照以下步骤操作。

▶▶▶ 重要事项

- 请勿触摸 FINE 墨盒上的电气触点(A)或打印头喷嘴(B)。如果触摸这些区域，打印机可能无法正确打印。



- 如果取出 FINE 墨盒，请立即更换。请勿让打印机处于没有 FINE 墨盒的状态。
- 使用新 FINE 墨盒进行更换。安装使用过的 FINE 墨盒可能会造成喷嘴堵塞。
此外，使用这样的 FINE 墨盒，打印机将无法正确提示何时更换 FINE 墨盒。
- 一旦安装 FINE 墨盒后，请勿将其从打印机中取出并裸露放置。这将造成 FINE 墨盒干涸，重新装入后，打印机可能无法正常工作。要保持最佳打印质量，请在 FINE 墨盒开封后六个月内将其用完。

▶▶▶ 注释

- 对于 Windows，如果 FINE 墨盒中墨水用完，可仅使用仍有墨水的彩色或黑色 FINE 墨盒打印一段时间。但是，与同时使用两个墨盒打印时相比，打印质量可能会降低。为获得最佳质量，建议使用新 FINE 墨盒。

即使仅使用一种墨水打印，请在不取出空的 FINE 墨盒的情况下进行打印。如果未安装彩色 FINE 墨盒或黑色 FINE 墨盒，则会出现错误且打印机无法打印。

有关如何配置此设置的详细资料，请参见以下内容。

■ 设置要使用的 FINE 墨盒

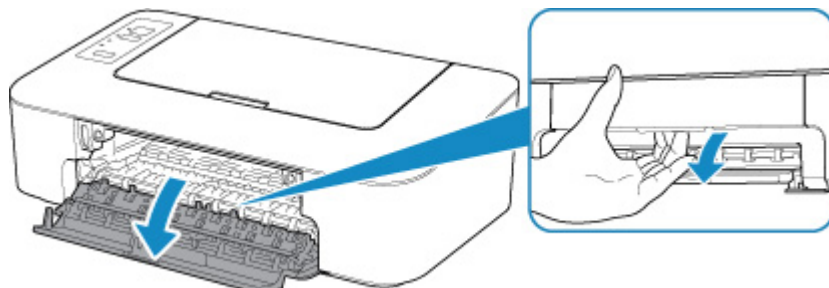
- 即使打印黑白文档或指定黑白打印时，也可能会消耗彩色墨水。

打印头标准清洗和打印头深度清洗也会消耗彩色墨水和黑色墨水，这是保持打印机性能所必须进行的。墨水用完时，请立即更换新的 FINE 墨盒。

■ 墨水提示

1. 确保电源已开启。
2. 收回出纸托盘和出纸托盘扩展架。
3. 打开盖板。

FINE 墨盒固定器移至更换位置。



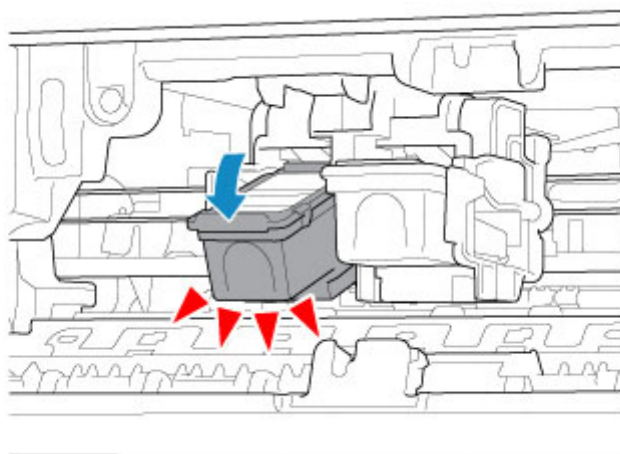
⚠ 注意

- 请勿捏着 FINE 墨盒固定器强行将其停止或移动。FINE 墨盒固定器完全停止之前，请勿触摸。

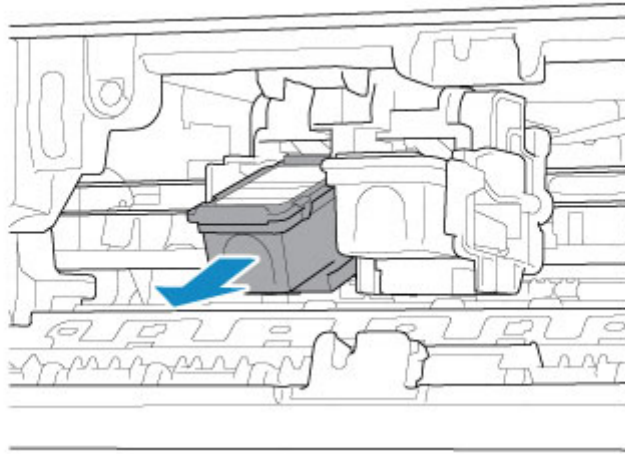
▶▶▶ 重要事项

- 打印机内部可能会被墨水弄脏。请注意，更换 FINE 墨盒时不要弄脏双手或衣物。可以使用纸巾或类似物品轻松地擦拭干净打印机内部的墨水。
- 请勿触摸打印机内部的金属部件或其他部件。
- 如果机盖打开的时间超过 10 分钟，FINE 墨盒固定器会移至最左侧，并且出现错误。在这种情况下，关闭盖板，然后重新开启。

4. 取出空的 FINE 墨盒。
 1. 向下推 FINE 墨盒直至其锁定到位。



2. 取出 FINE 墨盒。

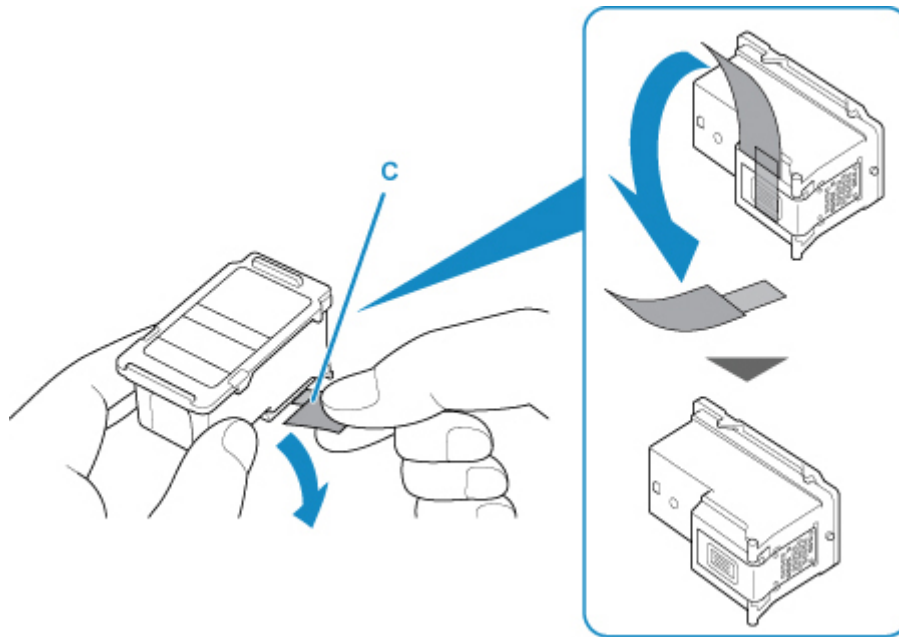


重要事项

- 小心处理 FINE 墨盒，以免弄脏衣物或四周。
- 请根据当地处理耗用品的法律和法规弃置空 FINE 墨盒。

5. 准备新的 FINE 墨盒。

1. 从包装中取出新的 FINE 墨盒，并轻轻地取下保护胶带(C)。



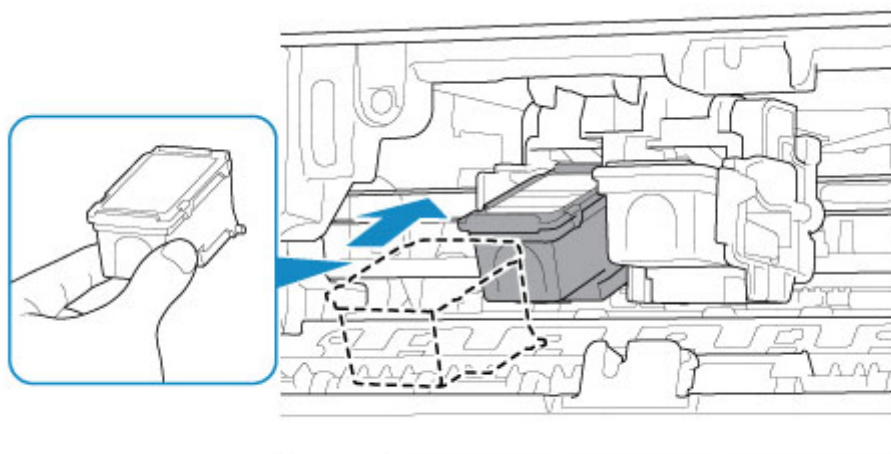
重要事项

- 如果摇晃 FINE 墨盒，可能造成墨水漏出并弄脏双手和四周。请小心处理 FINE 墨盒。
- 请注意，不要让取下的保护胶带上的墨水弄脏双手和四周。
- 一旦取下保护胶带后，请勿将其重新粘上。请根据当地处理耗用品的法律和法规将其弃置。
- 请勿触摸 FINE 墨盒上的电气触点或打印头喷嘴。如果触摸这些区域，打印机可能无法正确打印。

6. 安装 FINE 墨盒。

1. 将新的 FINE 墨盒倾斜地插入 FINE 墨盒固定器。

彩色 FINE 墨盒应安装于左侧的插槽中，黑色 FINE 墨盒应安装于右侧的插槽中。

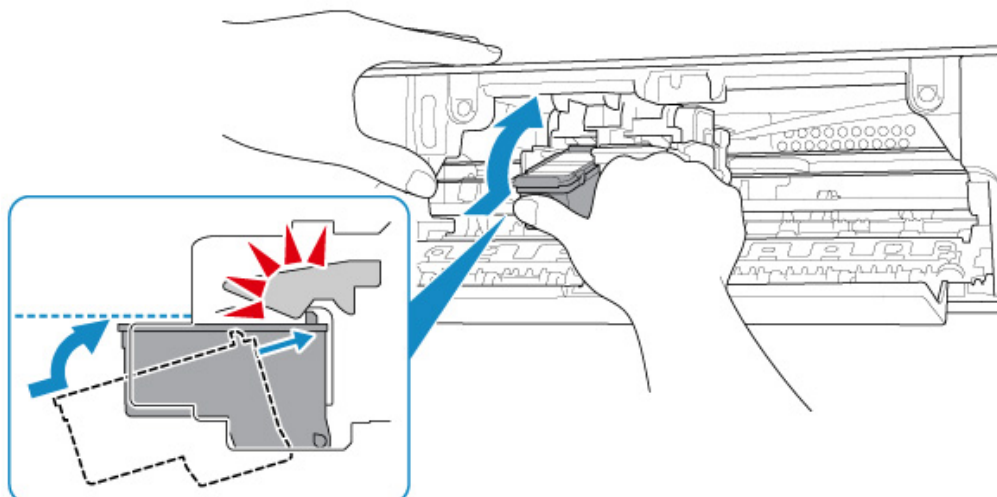


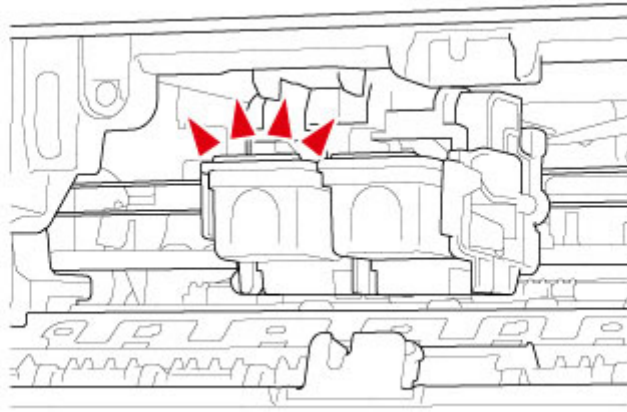
重要事项

- 轻轻插入 FINE 墨盒，以免碰撞 FINE 墨盒固定器上的电气触点，否则会使 FINE 墨盒发生故障。



2. 适当用力向上推进 FINE 墨盒直至其锁定到位。





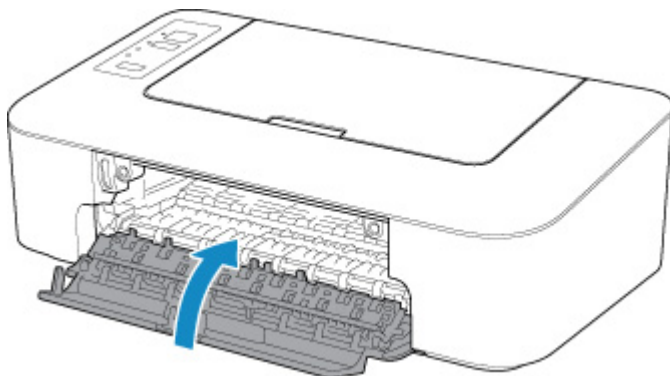
重要事项

- 检查 FINE 墨盒是否已正确安装。



- 只有同时安装了彩色 FINE 墨盒和黑色 FINE 墨盒，打印机才能打印。务必安装两种墨盒。

7. 关闭盖板。



注释

- 如果关闭机盖后警告指示灯闪烁，请采取适当措施。
 - [发生错误](#)
- 打印机在运行时可能会产生噪音。

8. 调整打印头位置。

- 对于 Windows:

■ 调整打印头位置

- 对于 macOS:

■ 调整打印头位置

更换 FINE 墨盒之后，对齐打印头。

▶▶ 注释

- 执行打印头对齐后，打印机将在打印打印头对齐页之前自动开始清洗打印头。打印机完成打印头清洗之前请勿执行任何其他操作。

墨水提示

墨水如何用于打印之外的多种用途？

墨水可用于除打印外的其他用途。墨水不仅可用于打印，也可用于清洗打印头以保持最佳打印质量。打印机具有自动清洁喷墨喷嘴以防止阻塞的功能。在清洗步骤中，清洗喷嘴只使用少量墨水。

黑白打印是否使用彩色墨水？

根据打印纸张的类型或计算机的设置，黑白打印可能会使用黑色墨水以外的墨水。因此，即使在进行黑白打印时也会消耗彩色墨水。

维护

- ▶ 如果打印变得暗淡或不均匀
- ▶ 从计算机执行维护功能 (Windows)
- ▶ 从计算机执行维护功能 (macOS)
- ▶ 清洁

如果打印变得暗淡或不均匀

- ▶ 维护步骤
- ▶ 打印喷嘴检查图案
- ▶ 检查喷嘴检查图案
- ▶ 清洗打印头
- ▶ 深度打印头清洗

维护步骤

如果打印结果模糊不清、打印颜色错误或对打印结果仍不满意(例如, 打印的规则线条未对齐), 请执行以下维护操作。

重要事项

- 请勿冲洗或擦拭 FINE 墨盒。否则可能造成 FINE 墨盒故障。

注释

- 检查 FINE 墨盒中是否还剩有墨水。

- 对于 Windows:

- [从计算机检查墨水状态](#)

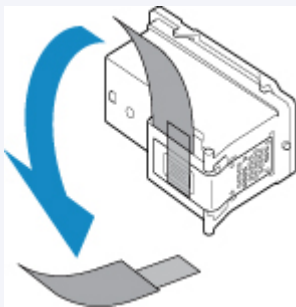
- 对于 macOS:

- [从计算机检查墨水状态](#)

- 检查 FINE 墨盒是否已正确安装。

- [更换步骤](#)

同时检查保护胶带是否已从 FINE 墨盒底部取下。



- 如果警告指示灯亮起或闪烁, 请参见[发生错误](#)。

- 更改计算机上的设置可能会改善打印结果。

- [更改打印质量及修正图像数据](#)

打印结果模糊或不均匀时:

步骤 1 [打印喷嘴检查图案](#)。

从打印机

- [打印喷嘴检查图案](#)

从计算机

- 对于 Windows:

- [打印喷嘴检查图案](#)

- 对于 macOS:

- [打印喷嘴检查图案](#)

步骤 2 [检查喷嘴检查图案](#)。

如果图案中有线条缺失或者水平白色条纹：



步骤 3 清洗打印头。

从打印机

■ 清洗打印头

从计算机

- 对于 Windows：
 - 清洗打印头
- 对于 macOS：
 - 清洗打印头

清洗打印头后，打印并检查喷嘴检查图案：➔ [步骤 1](#)

如果执行两次步骤 1 至步骤 3 后问题仍未解决：



步骤 4 深度清洗打印头。

从打印机

■ 深度打印头清洗

从计算机

- 对于 Windows：
 - 清洗打印头
- 对于 macOS：
 - 清洗打印头

如果问题未解决，关闭电源并在 24 小时后再次深度清洗打印头。

如果问题仍未解决：



步骤 5 更换 FINE 墨盒。

■ 更换 FINE 墨盒

▶▶ 注释

- 如果更换 FINE 墨盒后问题仍未解决，请联系最近的 Canon 服务中心要求维修。

打印结果不均匀(例如规则的线条未对齐)时：

步骤 对齐打印头。

- 对于 Windows：

■ 调整打印头位置

• 对于 macOS:

■ 调整打印头位置

打印喷嘴检查图案

打印喷嘴检查图案以确定打印头喷嘴是否正常地喷出墨水。

►► 注释

- 如果剩余墨水量不足，则不会正确打印喷嘴检查图案。 [更换墨水不足的 FINE 墨盒。](#)

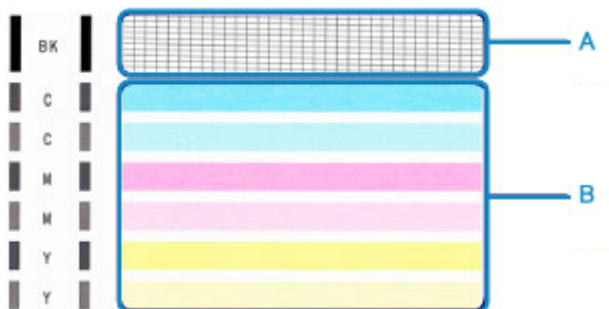
需要准备：一张 A4 或 Letter 尺寸普通纸

1. 确保电源已开启。
2. 在后端托盘中装入一张 A4 或 Letter 尺寸普通纸。
3. 拉出出纸托盘和出纸托盘扩展架。
4. 按住**恢复**按钮，并在**警告**指示灯闪烁 1 次后松开。
将打印喷嘴检查图案。
打印机完成喷嘴检查图案打印之前请勿执行任何其他操作。
5. [检查喷嘴检查图案。](#)

检查喷嘴检查图案

检查喷嘴检查图案，并在需要时清洗打印头。

1. 检查图案(A)中是否有线条缺失或者图案(B)中是否有水平白色条纹。



如果图案(A)中有线条缺失：



(C) 正常

(D) 不正常(线条缺失)

如果图案(B)中有水平白色条纹：



(E) 正常

(F) 不正常(出现水平白色条纹)

如果图案(A)或图案(B)中的任一颜色未打印：



(示例：未打印品红色图案)

如果出现以上任何一种情况，则需要[清洗打印头](#)。

清洗打印头

如果打印的喷嘴检查图案中线条缺失或出现水平白色条纹，请清洗打印头。清洗疏通喷嘴并恢复打印头状况。清洗打印头消耗墨水，因此请仅在需要时清洗打印头。

1. 确保电源已开启。
2. 按住**恢复**按钮，并在**警告**指示灯闪烁 2 次后松开。

打印机开始清洗打印头。

电源指示灯闪烁后亮起时，清洁将完成。

打印机完成打印头清洗之前请勿执行任何其他操作。此过程大约需要 30 秒钟。

3. 检查打印头状况。

要检查打印头状况，请[打印喷嘴检查图案](#)。

»» 注释

- 如果清洗打印头两次后问题仍未解决，请[深度清洗打印头](#)。

深度打印头清洗

如果标准打印头清洗未改善打印质量，则深度清洗打印头。深度清洗打印头比标准清洗打印头消耗更多墨水，因此请仅在必要时深度清洗打印头。

1. 确保电源已开启。
2. 按住**恢复按钮**，并在**警告指示灯**闪烁 3 次后松开。

打印机开始深度清洗打印头。

电源指示灯闪烁后亮起时，清洁将完成。

打印机完成打印头深度清洗之前请勿执行任何其他操作。此过程大约需要 1 分钟。

3. 检查打印头状况。

要检查打印头状况，请[打印喷嘴检查图案](#)。

如果问题未解决，关闭电源并在 24 小时后再次深度清洗打印头。

如果问题仍未解决，请[更换新的 FINE 墨盒](#)。

如果更换 FINE 墨盒后问题仍未解决，请联系最近的 Canon 服务中心要求维修。

清洁

- ▶ 清洁外部表面
- ▶ 清洁进纸滚轴
- ▶ 清洁打印机内部(底板清洁)

清洁进纸滚轴

如果进纸滚轴脏污或沾有纸屑，则纸张可能不会正确地送入。

在这种情况下，清洁进纸滚轴。

需要准备：一张 A4 或 Letter 尺寸的普通纸或者市场上出售的清洁纸

1. 确保电源已开启。

2. 从后端托盘取出所有纸张。

3. 清洁没有纸张的进纸滚轴。

1. 按住**恢复**按钮，并在**警告**指示灯闪烁 4 次后松开。

清洁时，进纸滚轴会转动。

4. 清洁带有纸张的进纸滚轴。

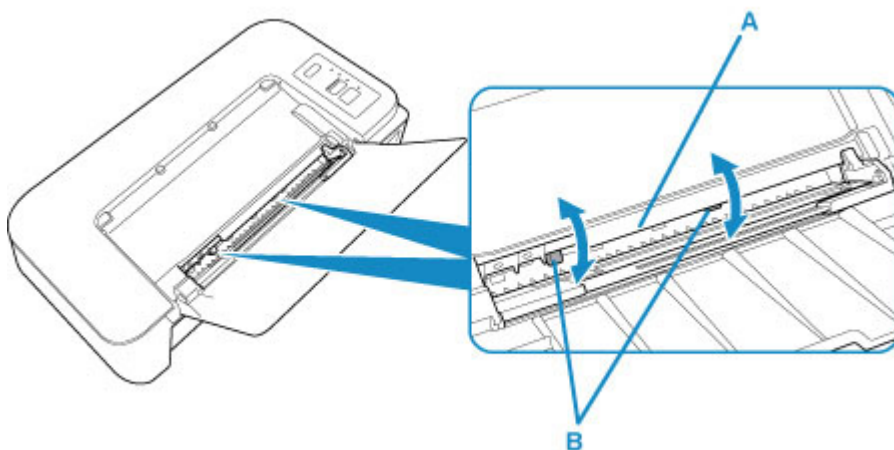
1. 确保进纸滚轴已停止转动，然后在后端托盘中装入一张 A4 或 Letter 尺寸的普通纸或市场上出售的清洁纸。

2. 拉出出纸托盘和出纸托盘扩展架。

3. 按住**恢复**按钮，并在**警告**指示灯闪烁 4 次后松开。

打印机开始清洁。纸张弹出时，清洁完成。

如果清洁后端托盘中的进纸滚轴之后问题仍未解决，请关闭电源，拔出电源线，然后在手动转动白色塑料部分(A)的同时用微湿的棉签或类似物品擦拭进纸滚轴(B)。重复此操作至少两次。请勿用手指触摸滚轴。



清洁进纸滚轴之后，打开电源，然后再次清洁进纸滚轴。

如果清洁进纸滚轴后问题仍未解决，请联系最近的 Canon 服务中心要求维修。

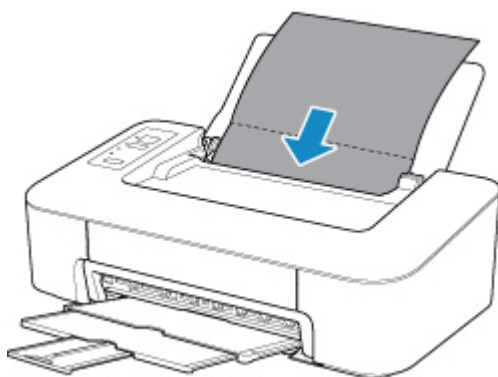
清洁打印机内部(底板清洁)

从打印机内部擦除墨水污渍。要防止打印的纸张被墨水弄脏，建议定期执行清洁。

需要准备：一张 A4 或 Letter 尺寸的普通纸*

* 务必使用一张新纸。

1. 确保电源已开启，并从后端托盘取出所有纸张。
2. 准备纸张。
 1. 将一张 A4 或 Letter 尺寸的普通纸横向对折，然后打开纸张。
 2. 将开口面向自己，在后端托盘中仅装入该纸张。



3. 拉出出纸托盘和出纸托盘扩展架。
3. 按住**恢复按钮**，并在**警告指示灯**闪烁 5 次后松开。

纸张送入打印机时将清洁打印机内部。

检查已输出纸张的折叠部分。如果被墨水弄脏，请再次执行底板清洁。

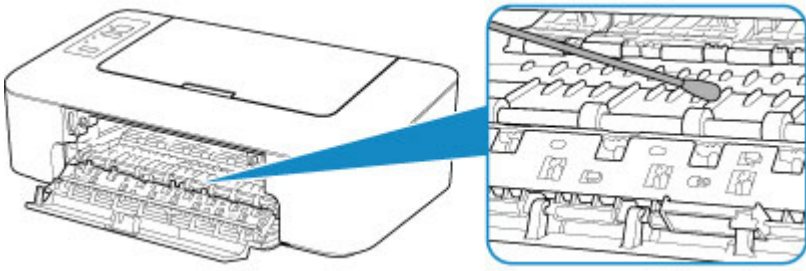
注釋

- 再次执行底板清洁时，务必使用一张新纸。

如果再次执行清洁后问题仍未解决，打印机内部的突出部分可能已脏污。使用棉签或类似物品将突出部分的所有墨水擦拭干净。

重要事項

- 清洁打印机之前，务必关闭电源并拔出电源线。



概述

▶ 安全相关

- 安全注意事项
- 法规信息
- WEEE (EU & EEA)

▶ 使用注意事项

- 取消打印作业
- 存放打印图像
- 打印的法律限制
- 打印机使用注意事项
- 运输打印机
- 保持高打印质量

▶ 主要部件和使用方法

- 主要部件
- 电源供应

▶ 更改设置

- 从您的计算机中更改打印机设置 (Windows)
- 从您的计算机中更改打印机设置 (macOS)
- 从操作面板更改设置

▶ 规格

安全相关

- ▶ 安全注意事项
- ▶ 法规信息
- ▶ WEEE (EU&EEA)

安全注意事项

选择放置位置

- 请勿将打印机放置在不稳固或有可能受到强烈震动的地方。
- 请勿将打印机放置在高湿度、多尘、阳光直射、户外或接近热源的地方。
为了避免火灾或触电危险，请在[规格](#)中指定的环境下使用打印机。
- 请勿将打印机放置于厚垫或地毯上。
- 请勿将打印机背面紧贴墙壁放置。

电源供应

- 时刻确保电源插座附近没有障碍物，以便必要时可以轻易地拔出电源线。
- 切勿拽着电源线拔出插头。
拉拽电线可能损坏电源线，并可能导致火灾或电击。
- 请勿使用延长线。

在打印机附近工作时

- 切勿在打印过程中将手或手指伸入打印机内。
- 移动打印机时，同时握住打印机的两端。如果打印机重量超过 14 千克，建议由两人搬运打印机。打印机意外掉落可能会造成伤害。关于打印机的重量，请参阅[规格](#)。
- 请勿将任何物品放置于打印机上。尤其勿将金属物品(如纸夹、订书钉等)或装有易燃溶剂(如酒精、稀释剂等)的容器放置于打印机上。
- 运输或使用打印机时，请勿使其倾斜、直立或倒置，否则墨水可能漏出并损坏打印机。

打印头/墨水盒/FINE 墨盒

- 请将墨水盒存放在远离孩童可接触的地方。如果不慎舔到或咽下墨水，请及时漱口或喝一两杯清水。如果感觉刺激或不适，请立即就医。
- 如果墨水进入眼中，请立即用水清洗。如果墨水接触到皮肤，请立即用肥皂和水清洗。如果眼部或皮肤仍感觉刺激，请立即就医。
- 切勿在打印结束后触摸打印头的电气触点或 FINE 墨盒。
金属部件可能非常灼热，并可能造成烫伤。
- 请勿将墨水盒和 FINE 墨盒投入火中。
- 请勿尝试拆开或改装打印头、墨水盒和 FINE 墨盒。

法规信息

电源要求


切勿使用购买时所在国家的电压供应以外的电源电压。使用不正确的电压将导致火灾或电击。正确的电源电压和频率如下：

AC 100-240V、50/60Hz

产品中有害物质的名称及含量

部件名称	有害物质					
	铅 (Pb)	汞 (Hg)	镉 (Cd)	六价铬 (Cr(VI))	多溴联苯 (PBB)	多溴二苯醚 (PBDE)
印刷电路板零部件	×	○	○	○	○	○
电源零部件	×	○	○	○	○	○
电气零部件	×	○	○	○	○	○
结构零部件	×	○	○	○	○	○
图像扫描/光源单元	×	×	○	○	○	○

本表格依据 SJ/T 11364 的规定编制。
○：表示该有害物质在该部件所有均质材料中的含量均在 GB/T 26572 规定的限量要求以下。
×：表示该有害物质至少在该部件的某一均质材料中的含量超出 GB/T 26572 规定的限量要求。
注释：根据产品的不同，一些部件不适用于此指令。

 中华人民共和国 电子电气产品有害物质限制使用标志	本标志适用于在中华人民共和国销售的电子电气产品，标志中央的数字代表产品的环保使用期限。 只要您遵守与本产品相关的安全与使用方面的注意事项，在从生产日期起算的上述年限内，就不会产生环境污染或对人体及财产的严重影响。
--	---

WEEE (EU&EEA)

此规定仅适用于欧盟和 EEA（挪威、冰岛和列支敦士登）。
此处没有通知信息。

使用注意事项

- ▶ 取消打印作业
- ▶ 存放打印图像
- ▶ 打印的法律限制
- ▶ 打印机使用注意事项
- ▶ 运输打印机
- ▶ 保持高打印质量

打印的法律限制

打印或修改以下复印件可能会受到法律的制裁。

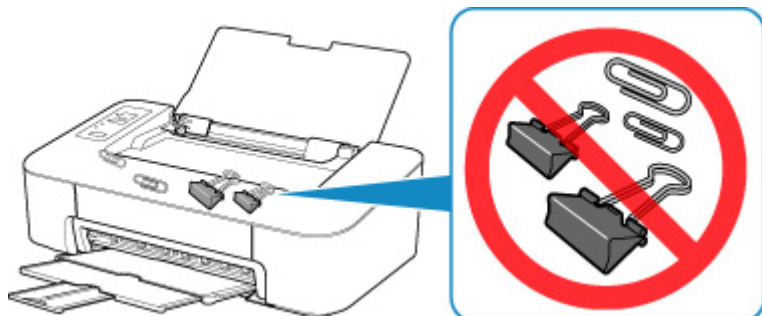
此列表为不完全清单。如有疑问，请咨询法律代表。

- 纸币
- 汇票
- 存款单
- 邮票(盖戳或未盖戳的)
- 身份识别卡或标志
- 义务兵役或征兵证件
- 政府机构签发的支票或汇票
- 机动车驾照和所有权证书
- 旅行支票
- 食品券
- 护照
- 移民证件
- 国内税收印花税票(盖戳或未盖戳的)
- 债券或其他债务凭证
- 股票
- 未经所有者许可的版权著作或艺术作品

打印机使用注意事项

请勿将任何物品放置在打印机上！

请勿将任何物品放置在打印机上。它可能落入后端托盘并造成打印机故障。此外，请将打印机放置在不会有物品掉落的地方。

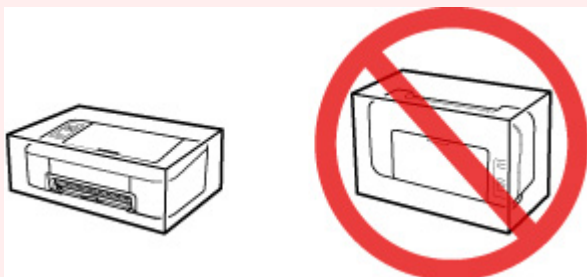


运输打印机

重新放置打印机时，请确保下列情况。

重要事项

- 在不取出打印机内安装的 FINE 墨盒的状态下，按**电源/停止**按钮关闭电源。该功能可以使打印机自动盖上打印头，以防止其变干。
- 将打印机包装在坚固的箱子中，使其底部向下放置，使用充足的保护材料，以确保打印机运输安全。
- 运输代理商运输打印机时，请在包装箱上标明“此面向上”，以使打印机保持底部向下。同时在包装箱上标明“易碎”或“小心轻放”。



- 包装后，请勿倾斜装有打印机的箱子，或将其侧放或倒放。否则可能造成运输过程中墨水漏出并损坏打印机。

1. 关闭打印机。
2. 确认**电源**指示灯已熄灭并**拔出电源线**。

重要事项

- 请勿在**电源**指示灯亮起或闪烁时拔出打印机插头，否则可能会造成打印机故障或损坏，以致打印机无法打印。

3. 收回出纸托盘和出纸托盘扩展架，然后关闭靠纸架。
4. 从计算机和打印机拔出打印机电缆线，然后从打印机拔出电源线。
5. 用粘贴胶带固定打印机上的所有盖板，以防在运输过程中打开。然后用塑料袋包装打印机。
6. 将打印机装入包装箱时，用保护材料包装打印机。

保持高打印质量

获得最佳打印质量的关键在于防止打印头变干或堵塞。务必注意以下规则以获得最佳打印质量。

►► 注释

- 根据纸张类型，如果打印区域被荧光笔或画笔涂画过，则墨水可能会模糊；如果打印区域接触到水或汗渍，则墨水可能会渗出。

电源关闭前请勿拔出电源线！

如果按**电源/停止**按钮关闭电源，打印机会自动盖上打印头(喷嘴)以防止变干。如果在**电源**指示灯熄灭前从壁装电源插座拔出电源线，则无法正确盖住打印头，从而造成打印头变干或阻塞。

[拔出打印机插头](#)时，确保**电源**指示灯未亮起。

定期打印！

如果毡头笔长时间未使用，即使已盖上笔帽笔头也会变得干涸而无法使用。同样的道理，如果打印机长时间未使用，打印头可能也会干涸或堵塞。建议每月至少使用一次打印机。

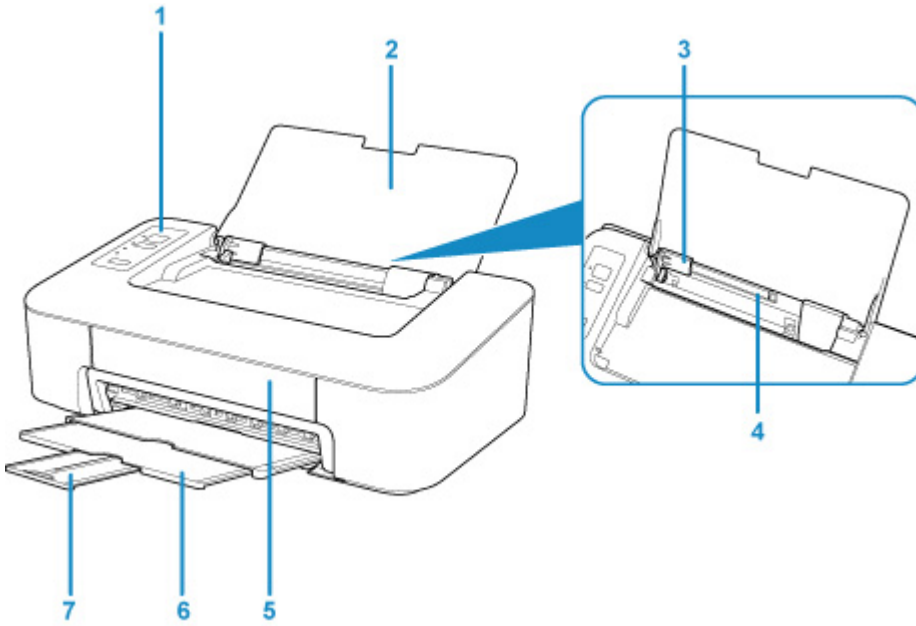
主要部件和使用方法

- ▶ 主要部件
- ▶ 电源供应

主要部件

- ▶ 前视图
- ▶ 后视图
- ▶ 内部视图
- ▶ 操作面板

前视图



(1) 操作面板

用以更改打印机设置或操作打印机。

■ 操作面板

(2) 靠纸架

打开以在后端托盘中装入纸张。

(3) 纸张导片

对齐纸叠的左侧。

(4) 后端托盘

请在此处装入纸张。可以同时装入两张或更多相同尺寸和类型的纸张，并且每次自动送入一张。

■ 装入普通纸/照片纸

(5) 盖板

打开以更换 FINE 墨盒或取出打印机内部的卡纸。

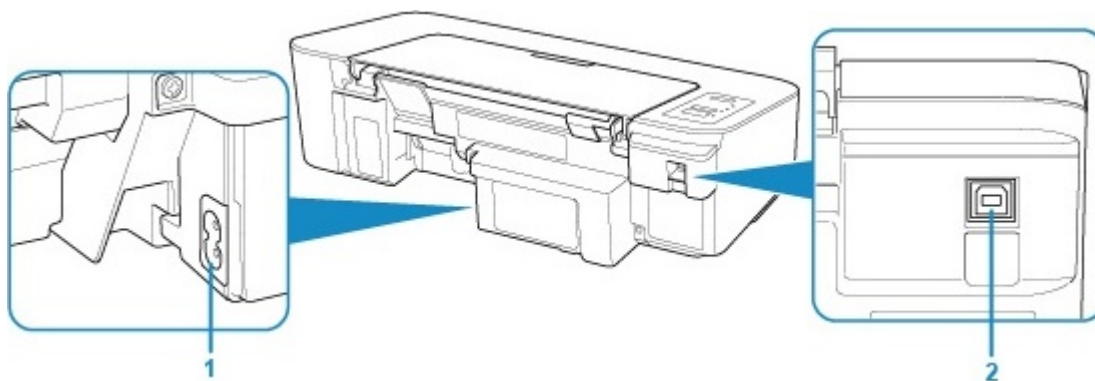
(6) 出纸托盘

输出已打印的纸张。打印前将其拉出。

(7) 出纸托盘扩展架

拉出以承托输出纸张。打印时请将其展开。

后视图



(1) 电源线连接器

在此插入附带的电源线。

(2) USB 端口

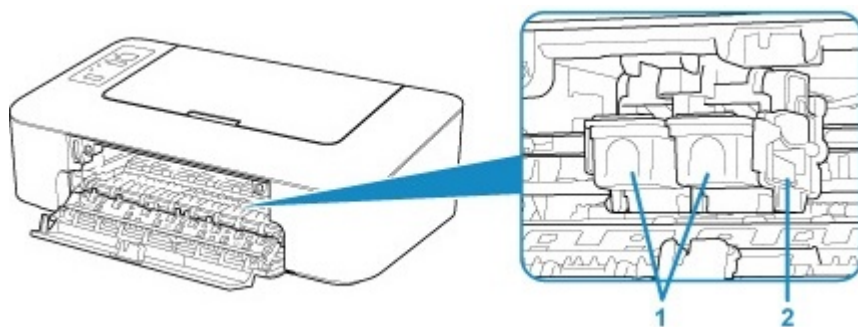
插入 USB 电缆线。

确保插入 USB 电缆线时终端的方向正确。

重要事项

- 请勿触摸金属外壳。否则可能会造成故障。
- 打印机正在通过计算机打印时，请勿插入或拔出 USB 电缆线。否则可能会造成故障。

内部视图



(1) FINE 墨盒(墨盒)

打印头与墨水盒集成在一起的可更换式墨盒。

(2) FINE 墨盒固定器

安装 FINE 墨盒。

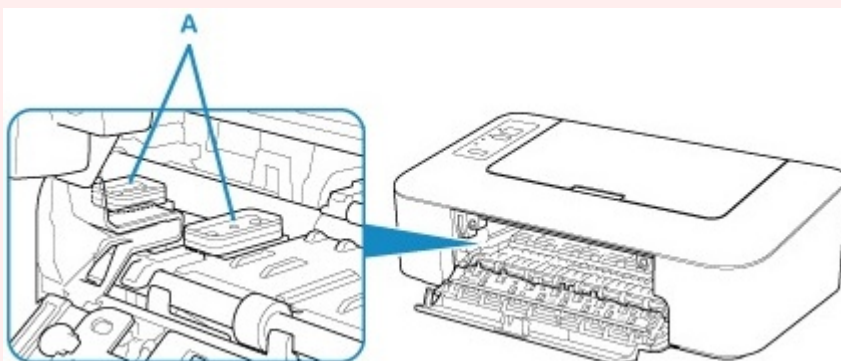
彩色 FINE 墨盒应安装于左侧的插槽中，黑色 FINE 墨盒应安装于右侧的插槽中。

►► 注释

- 有关更换 FINE 墨盒的详细资料，请参见[更换 FINE 墨盒](#)。

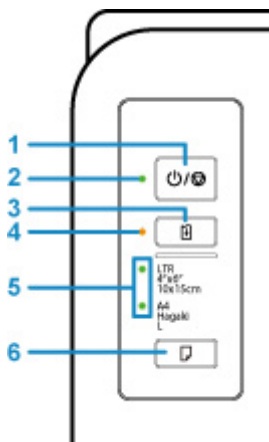
►► 重要事项

- 部件(A)的周围区域可能溅有墨水。这不会影响打印机的性能。
- 请勿触摸部件(A)。如果触摸这些区域，打印机可能无法正确打印。



操作面板

* 下图操作面板上的所有指示灯亮起均为示例所用。



(1) 电源/停止按钮

打开或关闭电源。按此按钮也会取消操作或打印。

(2) 电源指示灯

电源开启时，闪烁后亮起。

(3) 恢复按钮

更改打印机设置、关闭警告指示灯或选择打印机维护菜单。

(4) 警告指示灯

发生错误时亮起或闪烁。

(5) 纸张指示灯

在后端托盘中装入纸张时，其中一个纸张指示灯会亮起。按纸张选择按钮(6)切换指示灯。

注 释

- “L”表示标准日本照片纸尺寸。
- “Hagaki”表示标准日本明信片尺寸。

(6) 纸张选择按钮

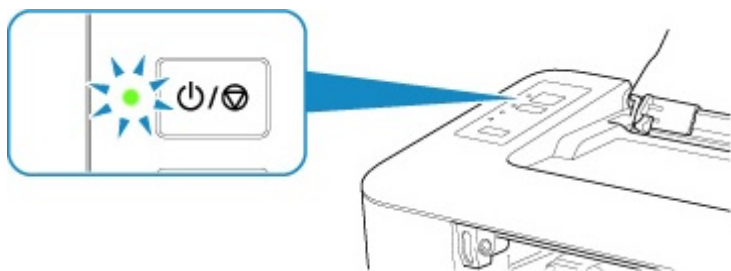
选择打印机的纸张尺寸。

电源供应

- ▶ 确认电源已开启
- ▶ 开启和关闭打印机
- ▶ 检查电源插头/电源线
- ▶ 拔出打印机插头

确认电源已开启

打印机开启时，**电源**指示灯亮起。



注釋

- 开启打印机后，打印机可能需要一段时间才能立即开始打印。

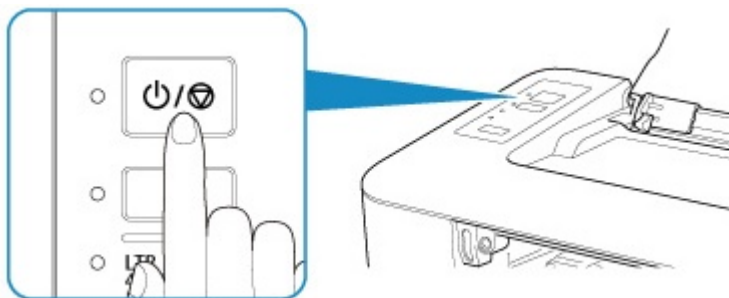
开启和关闭打印机

开启打印机

1. 按**电源/停止**按钮开启打印机。

电源指示灯闪烁，然后持续亮起。

■ 确认电源已开启



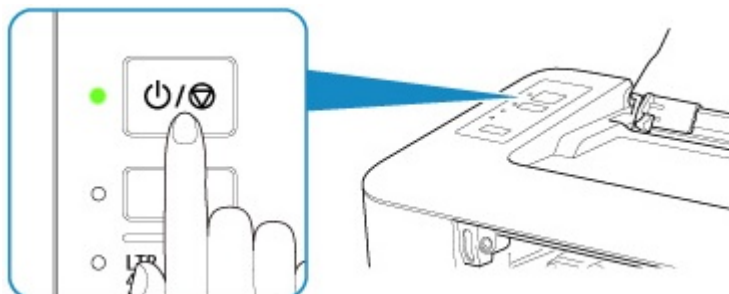
▶▶▶ 注释

- 开启打印机后，打印机可能需要一段时间才能立即开始打印。
- 如果**警告**指示灯闪烁，请参见[发生错误](#)。
- 可以将打印机设置为执行打印操作时自动开启。此功能默认设置为关闭。有关自动电源开启功能的详细资料，请参见以下内容。
 - 对于 Windows：
 - [管理打印机电源](#)
 - 对于 macOS：
 - [管理打印机电源](#)

关闭打印机

1. 按**电源/停止**按钮关闭打印机。

电源指示灯停止闪烁时，打印机关闭。



▶▶▶ 重要事项

- 关闭打印机后**拔出电源线**时，请务必确认**电源**指示灯已熄灭。

注釋

- 可以设置打印机在一定间隔时间中未执行操作或无打印作业发送至打印机时自动关闭。此为默认设置。有关自动电源关闭功能的详细资料，请参见以下内容。
 - 对于 Windows：
 - [管理打印机电源](#)
 - 对于 macOS：
 - [管理打印机电源](#)

检查电源插头/电源线

每月拔出电源线一次以确认电源插头/电源线没有任何下列异常。

- 电源插头/电源线过热。
- 电源插头/电源线生锈。
- 电源插头/电源线弯曲。
- 电源插头/电源线磨损。
- 电源插头/电源线破裂。

注意

- 如果发现电源插头/电源线有任何上述异常，请[拔出打印机插头](#)并联系客户支持中心。在上述任一异常情况下使用打印机可能造成火灾或触电。

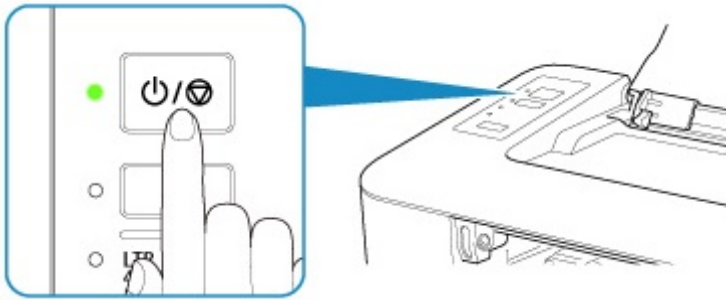
拔出打印机插头

要拔出电源线，请按照以下步骤操作。

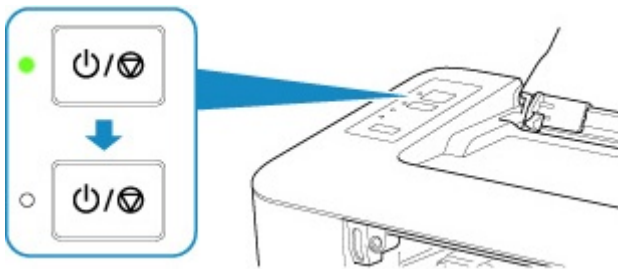
重要事项

- 拔出电源线时，按**电源/停止**按钮，然后确认**电源**指示灯已熄灭。在**电源**指示灯亮起或闪烁时拔出电源线，可能会造成打印头干涸或堵塞，打印质量可能会降低。

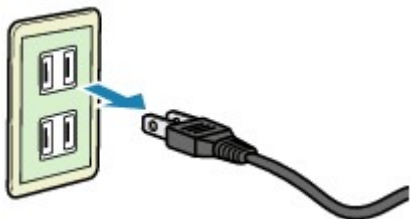
1. 按**电源/停止**按钮关闭打印机。



2. 确认**电源**指示灯已熄灭。



3. 拔出电源线。



根据使用本机所在的国家或地区的不同，电源线的规格也不同。

更改设置

- ▶ [从您的计算机中更改打印机设置 \(Windows\)](#)
- ▶ [从您的计算机中更改打印机设置 \(macOS\)](#)
- ▶ [从操作面板更改设置](#)

从您的计算机中更改打印机设置(Windows)

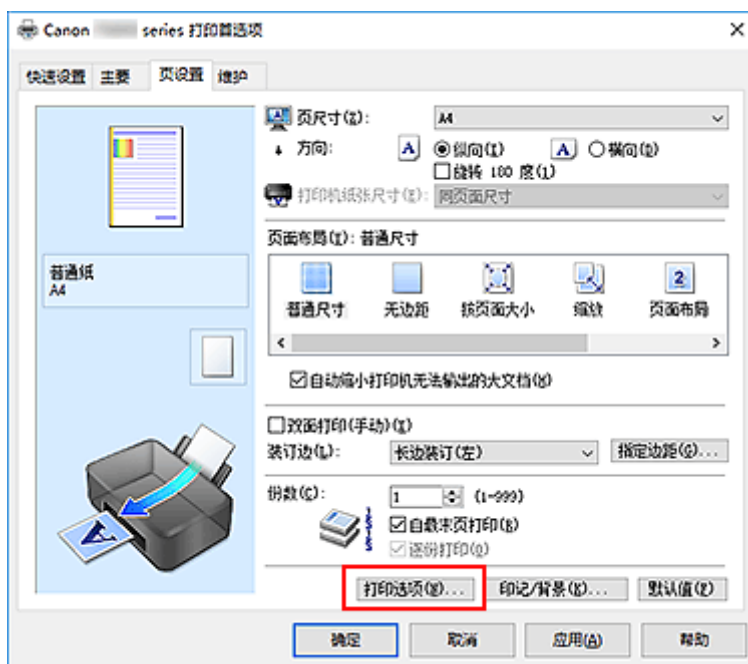
- ▶ 更改打印选项
- ▶ 注册常用打印配置文件
- ▶ 设置要使用的 FINE 墨盒
- ▶ 管理打印机电源
- ▶ 更改打印机操作模式

更改打印选项

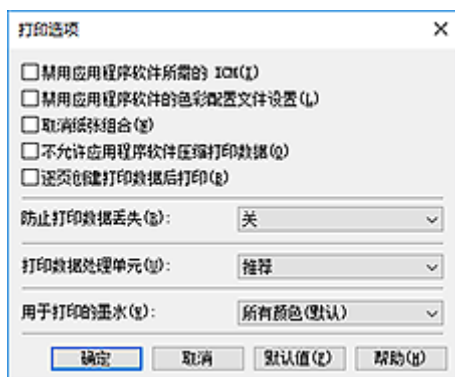
可为打印从应用程序软件发送的打印数据而更改详细的打印机驱动程序设置。

如果打印失败，如部分图像数据被剪切。请指定该选项。

1. 打开[打印机驱动程序设置窗口](#)
2. 单击[页设置选项卡上的打印选项...](#)



打印选项对话框打开。



►► 注释

- 如果使用的是 XPS 打印机驱动程序，可用功能会有所不同。

3. 更改各设置

如有必要，更改各项目的设置，然后单击**确定**。

再次显示[页设置选项卡](#)。

注册常用打印配置文件

可以将常用的打印配置文件注册到**快速设置**选项卡上的**常用设置**中。不需要的打印配置文件可以随时删除。

注册打印配置文件

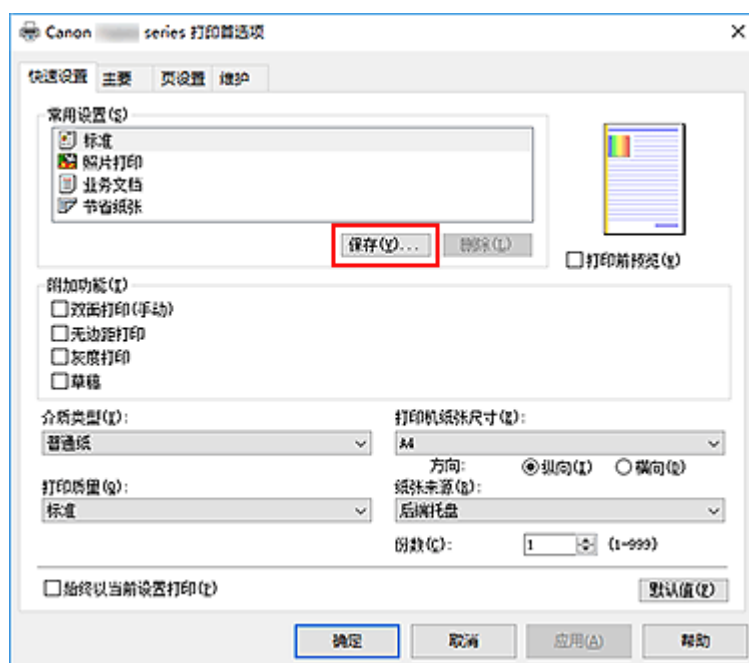
1. 打开[打印机驱动程序设置窗口](#)

2. 设置必要的项目

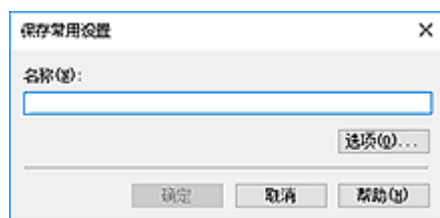
如有必要，从**快速设置**选项卡上的**常用设置**中选择要使用的打印配置文件，然后更改**附加功能**中的设置。

您也可以在**主要**和**页设置**选项卡上注册必要的项目。

3. 单击**保存...**



保存常用设置对话框打开。



4. 保存设置

在名称字段中输入名称。如有必要，单击**选项...**，设置项目，然后单击**确定**。

在**保存常用设置**对话框中，单击**确定**保存打印设置并返回**快速设置**选项卡。

名称和图标显示在**常用设置**中。

重要事项

- 要保存在每页中设置的页尺寸、方向和打印份数，请单击**选项...**，并选中各项。

注释

- 当重新安装打印机驱动程序或升级打印机驱动程序的版本时，已注册的打印设置将从**常用设置**中删除。
不能保存和保留已注册的打印设置。如果配置文件被删除，请重新注册打印设置。

删除不需要的打印配置文件

1. 选择要删除的打印配置文件

在**快速设置**选项卡上的**常用设置**列表中选择要删除的打印配置文件。

2. 删除打印配置文件

单击**删除**。出现确认信息时，单击**确定**。

将从**常用设置**列表中删除所选的打印配置文件。

注释

- 无法删除注册在初始设置中的打印配置文件。

设置要使用的 FINE 墨盒

该功能允许您根据使用需要在已安装的墨盒中指定最合适的 FINE 墨盒。

1. 打开[打印机驱动程序设置窗口](#)
2. 单击页设置选项卡上的打印选项...
出现打印选项对话框。
3. 从用于打印的墨水选择要使用的 FINE 墨盒
为打印选择要使用的 FINE 墨盒并单击确定。
执行打印时，将使用指定的 FINE 墨盒。

重要事项

- 指定以下设置时，**仅黑色**不起作用，因为打印机使用彩色 FINE 墨盒打印文档。
 - 在主要选项卡上为介质类型选择除普通纸以外的 Ink Jet Hagaki (A)、Hagaki K (A)、Hagaki (A)或 Hagaki
 - 从页设置选项卡上的页面布局列表选择了无边距
- 不要取下未使用的 FINE 墨盒。当取下任一 FINE 墨盒时，将无法执行打印。

管理打印机电源

使用该功能可以从 Canon IJ Printer Assistant Tool 管理打印机电源。



电源关闭

电源关闭功能可以关闭打印机电源。使用该功能时，无法从 Canon IJ Printer Assistant Tool 打开打印机电源。

1. 打开 Canon IJ Printer Assistant Tool

2. 执行电源关

单击**电源关闭**。出现确认信息时，单击**确定**。

打印机电源关闭。



自动电源

利用**自动电源**可以设置**自动电源开启**和**自动电源关闭**。

自动电源开启功能将在接收到数据时自动打开打印机电源。

当打印机驱动程序或打印机在指定时段内未进行任何操作时，**自动电源关闭**功能将自动关闭打印机电源。

1. 打开 Canon IJ Printer Assistant Tool

2. 确保打印机已开启，然后单击**自动电源**

自动电源设置对话框打开。

▶▶▶ 注释

- 如果打印机关闭或打印机与计算机之间的通讯被禁用，由于计算机无法收集打印机状态信息，可能会出现一条错误信息。
如果发生此情况，单击**确定**可显示在计算机上新近指定的设置。

3. 如有必要，完成以下设置：

自动电源开启

在列表中指定**启用**将在接收到打印数据时打开打印机电源。

自动电源关闭

从列表中指定时间。当打印机驱动程序或打印机在该时段内未进行任何操作时，打印机将自动关闭。

4. 应用设置

单击**确定**。出现确认信息时，单击**确定**。

此后将启用设置。当想要禁用该功能时，请根据相同步骤从列表中选择**禁用**。

注釋

- 当关闭打印机时，Canon IJ 状态监视器信息将根据**自动电源开启**的设置而有所变化。
当设置为**启用**时，显示“打印机处于待机状态”。当设置为**禁用**时，显示“打印机脱机”。

更改打印机操作模式

如有必要，可以在打印机的多种操作模式之间进行切换。



用户定义设置

1. 打开 Canon IJ Printer Assistant Tool
2. 确保打印机已开启，然后单击**用户定义设置**

用户定义设置对话框打开。

▶▶▶ 注释

- 如果打印机关闭或打印机与计算机之间的通讯被禁用，由于计算机无法收集打印机状态信息，可能会出现一条错误信息。
如果发生此情况，单击**确定**可显示在计算机上新近指定的设置。

3. 如有必要，完成以下设置：

当方向为[横向]时向左旋转 90 度

在**页设置**选项卡上，可以在**方向**中更改**横向**的旋转方向。

如果要在打印过程中将打印数据向左旋转 90 度，请选择该项。如果要在打印过程中将打印数据向右旋转 90 度，请清除该项。

▶▶▶ 重要事项

- 打印作业显示在打印等待列表中时，请勿更改该设置。否则，可能遗漏字符或破坏布局。

从计算机打印时不要检测纸张设置不匹配

从计算机打印文档且打印机上装入的纸张与打印机驱动程序上设置的纸张尺寸不匹配时，该设置禁止信息显示并允许继续打印。

要禁用纸张设置不匹配检测，请选中该复选框。

墨水晾干等待时间

打印下一页之前，可以设置打印机等待时间的长度。向右移动滑块将增加暂停时间，向左移动将减少暂停时间。

如果在打印页墨水晾干之前下一页已经输出从而导致纸张脏污，请增加墨水晾干等待时间。

减少墨水晾干等待时间可以加快打印速度。

4. 应用设置

单击**确定**，显示确认信息时，单击**确定**。

此后，打印机将按照修改后的设置运行。

从操作面板更改设置

- ▶ [初始化打印机设置](#)

初始化打印机设置

可以初始化打印机设置。

请按照以下步骤初始化打印机设置。

1. [确保打印机已开启。](#)
2. 按住**恢复**按钮，并在**警告**指示灯闪烁 13 次后松开。

所有打印机设置已初始化。

重置后，根据需要重新执行设置。

»» 注释

- 无法将打印头从当前位置返回默认位置：

规格

一般规格

打印分辨率(dpi)	4800*(水平) x 1200(垂直) * 墨滴最小间距为 1/4800 英寸。
接口	USB 端口: Hi-Speed USB * 需要使用符合 Hi-Speed USB 标准的计算机。由于 Hi-Speed USB 接口与 USB 1.1 完全向上兼容, 因此可以用于 USB 1.1。
打印宽度	203.2 毫米/8 英寸 (对于无边距打印: 216 毫米/8.5 英寸)
可打印区域	无边距打印: 上/下/左/右的边距: 0.0 毫米(0.0 英寸) 标准打印: -上边距: • 3.0 毫米(0.12 英寸) -下边距: • 5.0 毫米(0.20 英寸) -左边距: • Letter: 6.4 毫米(0.26 英寸) • 其他尺寸: 3.4 毫米(0.14 英寸) -右边距: • Letter: 6.3 毫米(0.25 英寸) • 其他尺寸: 3.4 毫米(0.14 英寸)
操作环境	温度: 5 到 35°C(41 到 95°F) 湿度: 10 到 90%RH(无结露) * 在一定温度和湿度条件下, 打印机的性能可能会有所降低。 推荐条件: 温度: 15 到 30°C(59 到 86°F) 湿度: 10 到 80%RH(无结露) * 有关纸张(如照片纸)的温度和湿度状况, 请参阅纸张的包装或附带的说明。
存储环境	温度: 0 到 40°C(32 到 104°F) 湿度: 5 到 95%RH(无结露)
电源供应	AC 100-240V, 50/60Hz (附带的电源线仅适用于产品销售的国家和地区。)
耗电功率	打印: 约 10W 待机(最小): 约 1.2W *1*2 关闭: 约 0.2W *1

	*1 USB 连接至计算机 *2 无法更改待机等待时间。
外部尺寸	约 426(宽) x 255(深) x 131(高)毫米 约 16.8(宽) x 10.1(深) x 5.2(高)英寸 * 靠纸架和出纸托盘收回时。
重量	约 2.5 千克(约 5.5 磅) * 安装有 FINE 墨盒的状态下。
Canon FINE 墨盒	共 1280 个喷嘴(BK 320 个喷嘴, C/M/Y 各 320 个喷嘴)

最低系统要求

如果所用操作系统高于此要求, 即符合操作系统的要求。

Windows

操作系统	Windows 10、Windows 8.1、Windows 7 SP1 注释: 只有在预先安装了 Windows 7 或更高版本的计算机上才能保证正常工作。 需要 .NET Framework 4.5.2 或 4.6。
硬盘空间	3.1GB 注释: 用于安装随附软件。
显示器	XGA 1024 x 768

macOS

操作系统	OS X 10.10.5 - OS X 10.11、macOS 10.12
硬盘空间	1.5GB 注释: 用于安装随附软件。
显示器	XGA 1024 x 768

- 本打印机不能用于 iOS 和 Android。
- 在 Windows 上安装软件需要连接互联网或使用光盘驱动器。
- 使用 Easy-WebPrint EX 和所有用户指南需要连接互联网。
- Easy-WebPrint EX: 需要 Internet Explorer 8、9、10 和 11*(适用于 Windows)。
- Windows: 某些功能可能不适用于 Windows Media Center。
- macOS: 对于 macOS, 软件安装时需要连接互联网。

纸张相关信息

- ▶ 支持的介质类型
 - 纸张装入限量
- ▶ 不支持的介质类型
- ▶ 处理纸张
- ▶ 打印区域

支持的介质类型

为获得最佳效果，请选择针对您的打印方式设计的纸张。Canon 提供适合文档以及照片或插图的各种类型的纸张。请尽可能使用 Canon 原装纸张打印重要照片。

介质类型

Canon 原装纸张

注 释

- 有关使用不可打印面的警告，请参见每个产品的使用信息。
- 有关页尺寸和介质类型的详细资料，请访问 Canon 网站。
- 某些国家/地区可能不提供 Canon 原装纸张。请注意，在美国，Canon 纸张不按型号销售。请按名称购买纸张。

用于打印文档的纸张：

- Canon Red Label Superior <WOP111>
- Canon Océ Office Colour Paper <SAT213>

用于打印照片的纸张：

- 光面照相纸"Everyday Use" <GP-501/GP-508>
- 光面照相纸 <GP-701/PP-208>
- 高级光面照片纸 II <PP-201>
- 高级光面照片纸 II <PP-301>

用于创建自己的打印件的纸张：

- <PS-108>
- <PS-308R>
- <PS-208>
- <PS-808>

除 Canon 原装纸张以外的纸张

- 普通纸(包括再生纸)

■ [纸张装入限量](#)

页尺寸

可以使用以下页尺寸。

注 释

- 根据使用的操作系统，打印机支持的页尺寸和介质类型会有所不同。

标准尺寸：

- Letter
- A4
- L(89x127mm)

- KG/10x15cm(4x6)
- Hagaki

特殊尺寸：

特殊页尺寸必须在以下范围内：

- 最小尺寸：89.0 x 127.0 毫米(3.50 x 5.00 英寸)
- 最大尺寸：215.9 x 676.0 毫米(8.50 x 26.61 英寸)

纸张重量

可以使用以下重量范围内的纸张。

- 64 到 105g /m²(17 到 28 磅)(除 Canon 原装纸张以外的普通纸)

纸张装入限量

原装 Canon 纸张

用于打印文档的纸张：

介质名称<型号>	后端托盘	出纸托盘
Canon Red Label Superior <WOP111>	约 60 张	约 10 张
Canon Océ Office Colour Paper <SAT213>	约 50 张	约 10 张

用于打印照片的纸张：

►► 注释

- 为在连续打印时获得最佳效果，请从出纸托盘中取出已打印的纸张，以免弄脏或变色。

介质名称<型号>	后端托盘	出纸托盘
光面照相纸"Everyday Use" <GP-501/GP-508>*1	10 x 15 厘米(4" x 6")：20 张	*2
光面照相纸 <GP-701/PP-208>*1	10 x 15 厘米(4" x 6")：20 张	*2
高级光面照片纸 II <PP-201>*1	10 x 15 厘米(4" x 6")：20 张	*2
高级光面照片纸 II <PP-301>*1	10 x 15 厘米(4" x 6")：20 张	*2

用于创建自己的打印件的纸张：

<型号>	后端托盘	出纸托盘
<ul style="list-style-type: none">• <PS-108>• <PS-308R>• <PS-208>• <PS-808>	1 张	*3

除 Canon 原装纸张以外的纸张

通用名称	后端托盘	出纸托盘
普通纸(包括再生纸)*3	约 60 张	约 10 张

*1 装入整叠纸张时，送入纸张时可能会在打印面上留下标记或影响送纸效率。在这种情况下，一次装入一张纸。

*2 为在连续打印时获得最佳效果，请从出纸托盘中取出已打印的纸张，以免弄脏或变色。

*3 对于某些纸张类型或者在很高或很低的温度或湿度下，纸张可能无法以最大容量正常送入。在这种情况下，请装入一半或更少的纸张数。

不支持的介质类型

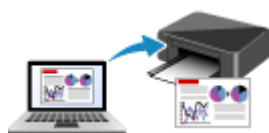
请勿使用以下类型的纸张。使用此类纸张不但打印效果不理想，还会造成打印机卡纸或无法正常工作。

- 折叠的纸张、卷曲的纸张或皱褶的纸张
- 受潮的纸张
- 过薄的纸张[重量少于 64g /m²(17 磅)]
- 过厚的纸张[重量超过 105g /m²(28 磅)的普通纸，Canon 原装纸张除外]
- 比明信片更薄的纸张，包括剪切为小尺寸的普通纸或记事本纸张(在小于 A5 的纸张上打印时)
- 图片明信片
- 贴有照片或贴条的明信片
- 信封
- 任何类型有孔的纸张
- 非长方形纸张
- 使用钉书钉或胶水等装订的纸张
- 背面具有粘性的纸张(如标签)
- 装饰有发光物等的纸张

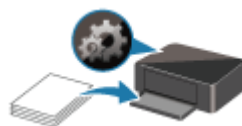
处理纸张

- 处理任何类型的纸张时，请小心不要磨擦或划伤其表面。
- 尽可能靠近纸张的边缘握住纸张，尽量不要触摸打印面。如果打印面被手上的汗渍或油渍弄脏，可能会降低打印质量。
- 在墨水干透前，请勿触摸打印面。即使墨水已干透，在处理时 also 请小心尽量不要触摸打印面。由于颜料墨水的特性，打印面上的墨水在受到摩擦或刮擦时可能会脱落。
- 打印前仅从包装中取出所需数量的纸张。
- 为避免卷曲，请在不打印时将未用完的纸张放回包装并将其水平放置保存。存放时也要避免高温、潮湿和阳光直射。

打印



从计算机打印




纸张设置

从计算机打印

- ▶ [从应用程序软件打印\(Windows 打印机驱动程序\)](#)
- ▶ [从应用程序软件打印 \(macOS\)](#)
- ▶ [使用 Canon 应用程序软件打印](#)

从应用程序软件打印(Windows 打印机驱动程序)

- ▶ 基本打印设置  基本
- ▶ 多种打印方法
- ▶ 更改打印质量及修正图像数据
- ▶ 打印机驱动程序概述
- ▶ 打印机驱动程序描述
- ▶ 更新打印机驱动程序

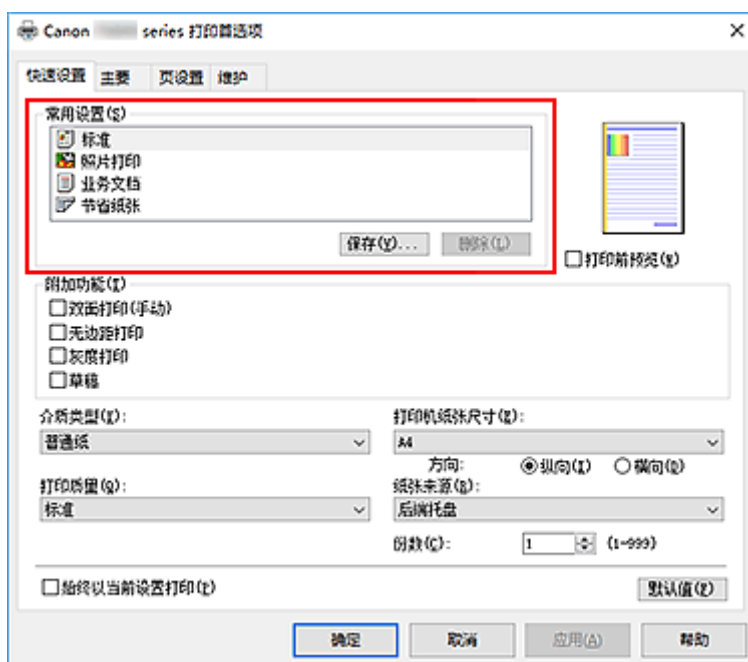
基本打印设置

本节描述用于基本打印的[快速设置选项卡](#)的设置。

1. [确认打印机电源是否已开启](#)
2. 在打印机中[装入纸张](#)
3. 打开[打印机驱动程序](#)的设置屏幕
4. 选择常用设置

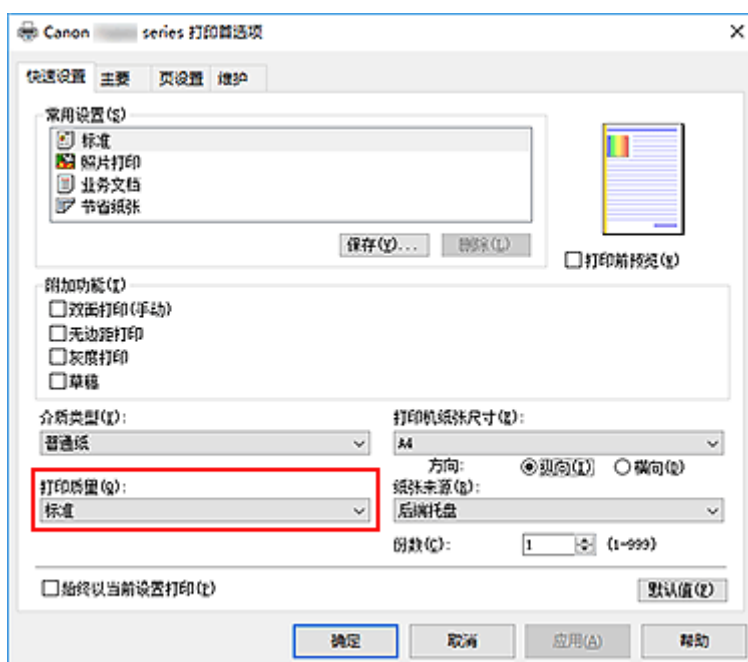
在[快速设置](#)选项卡上，使用[常用设置](#)从预设打印设置中进行选择。

选择打印设置时，[附加功能](#)、[介质类型](#)和[打印机纸张尺寸](#)设置将自动转换为预定设置的值。



5. 选择打印质量

对于[打印质量](#)，请从[高](#)、[标准](#)或[草稿](#)中进行选择。

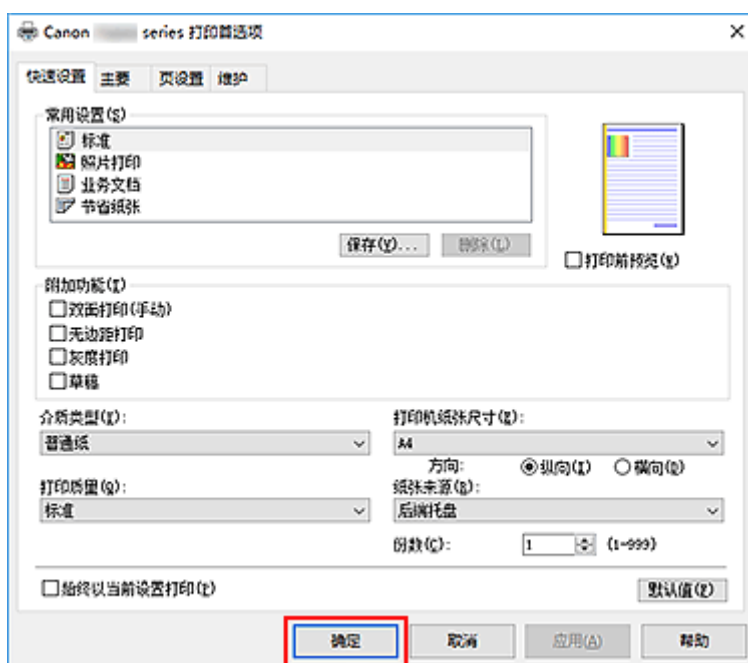


重要事项

- 根据选择的打印设置不同，打印质量的选项会有所不同。

6. 单击确定

打印机将使用这些设置进行打印。



重要事项

- 选择**始终以当前设置打印**时，将保存**快速设置**、**主要**和**页设置**选项卡上的设置，并且这些设置会在后续打印中应用。
- 要**注册当前设置**为新的预设设置，请单击**常用设置**下的**保存...**

»» 注释

- 如果打印机驱动程序中的纸张尺寸与打印机上注册的纸张尺寸不匹配，可能会出现错误。有关发生错误时的操作说明，请参见“[纸张设置](#)”。

打印机驱动程序上的纸张设置

使用打印机时，选择符合打印用途的介质类型有助于获得最佳打印效果。
本打印机可以使用以下介质类型。

Canon 原装纸张(文档打印)

介质名称<型号>	打印机驱动程序中的介质类型
Canon Red Label Superior <WOP111>	普通纸
Canon Océ Office Colour Paper <SAT213>	普通纸

Canon 原装纸张(照片打印)

介质名称<型号>	打印机驱动程序中的介质类型
高级光面照片纸 II <PP-201/PP-301>	高级光面照片纸 II
光面照相纸"Everyday Use" <GP-501>	光面照相纸
光面照相纸 <GP-701>	光面照相纸

可购买的纸张

介质名称	打印机驱动程序中的介质类型
普通纸(包括再生纸)	普通纸

多种打印方法

- ▶ 设置页尺寸和方向
- ▶ 设置打印份数和打印顺序
- ▶ 执行无边距打印
- ▶ 比例打印
- ▶ 页面布局打印
- ▶ 平铺/海报打印
- ▶ 双面打印
- ▶ 在明信片上打印

设置页尺寸和方向

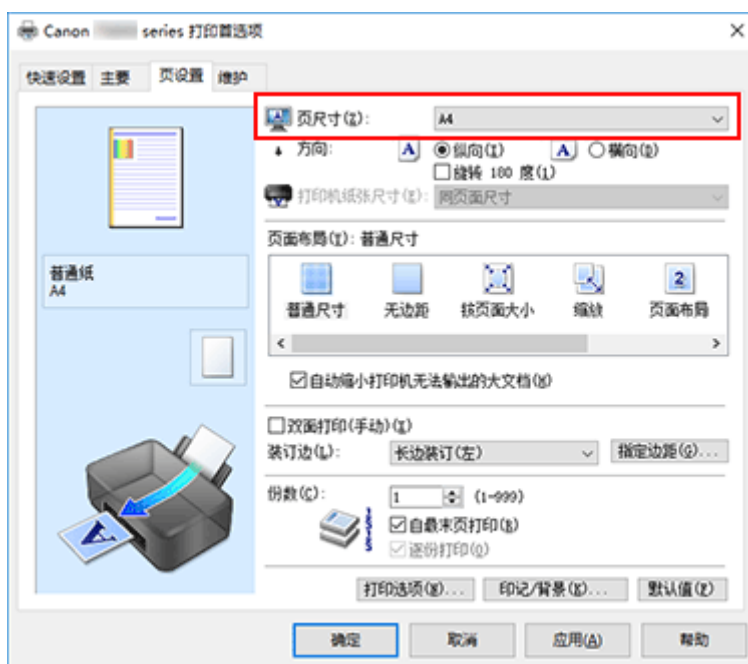
页尺寸和方向主要由应用程序软件决定。当**页设置**选项卡上的**页尺寸和方向**的设置与应用程序软件中的设置一致时，则无需在**页设置**选项卡上进行选择。

当您无法在应用程序软件中指定这些设置时，请按照以下步骤选择页尺寸和方向：
您也可以在**快速设置**选项卡上设置页尺寸和方向。

1. 打开[打印机驱动程序设置窗口](#)

2. 选择纸张尺寸

从**页设置**选项卡上的**页尺寸**列表中选择一种纸张尺寸。



3. 设置方向

选择方向为**纵向**或**横向**。当要将原稿旋转 180 度执行打印时，请选中**旋转 180 度**复选框。

4. 单击**确定**

当执行打印时，将按照所选的页尺寸和方向打印文档。

▶▶▶ 注释

- 如果**页面布局**选择为**普通尺寸**，然后将显示**自动缩小打印机无法输出的大文档**。通常，可以选中复选框。打印过程中，如果不希望减小打印机无法打印的大文档，取消选中该复选框。

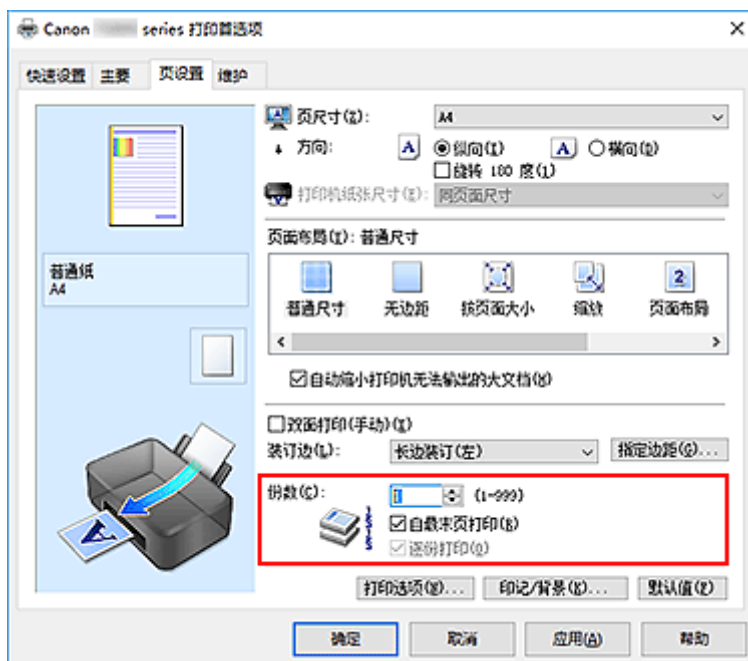
设置打印份数和打印顺序

您也可以设置快速设置选项卡上的打印份数。

1. 打开[打印机驱动程序设置窗口](#)

2. 指定要打印的份数

对于页设置选项卡上的份数，请指定要打印的份数。



3. 指定打印顺序

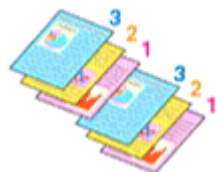
当要按顺序从最末页打印时，请选中**自最末页打印**复选框，但当从首页打印时取消选中该复选框。

当打印一份文档的多份并要集中打印每一个副本的所有页时，请选中**逐份打印**复选框。当要集中打印同一页码的所有副本时不选中该复选框。

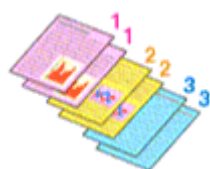
- 自最末页打印: / 逐份打印:



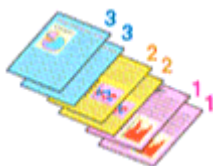
- 自最末页打印: / 逐份打印:



- 自最末页打印: / 逐份打印:



- 自最末页打印: /逐份打印:



4. 单击确定

当执行打印时，将按照指定的打印顺序打印指定的份数。

重要事项

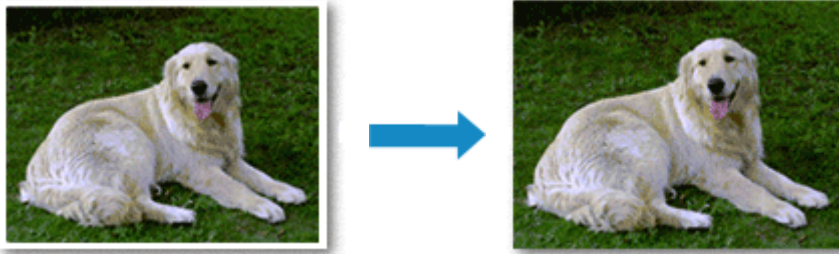
- 当创建文档的应用程序软件具有相同的功能时，请指定打印机驱动程序¹的设置。然而，如果打印结果不能令人满意，请指定应用程序软件上的功能设置。当同时使用应用程序软件和本打印机驱动程序指定打印份数和打印顺序时，打印份数可能是两个设置的倍数或者指定的打印顺序可能不起作用。
- 当页面布局选择为平铺/海报时，自最末页打印将显示为灰色且不可用。
- 当页面布局选择了书册时，自最末页打印和逐份打印将显示为灰色且无法设置。
- 当选择双面打印(手动)时，自最末页打印显示为灰色且无法设置。

注释

- 同时设置自最末页打印和逐份打印时，可以执行自最末页开始的逐份打印。这些设置可以与普通尺寸、无边距、按页面大小、缩放和页面布局结合起来使用。

执行无边距打印

无边距打印功能可以放大数据使其略微超出纸张，从而使打印的数据没有任何边距。在标准打印中将在文档区域周围创建边距。但是，在无边距打印功能中不会创建这些边距。当要使打印数据(如照片)不带任何边距时，请设置无边距打印。

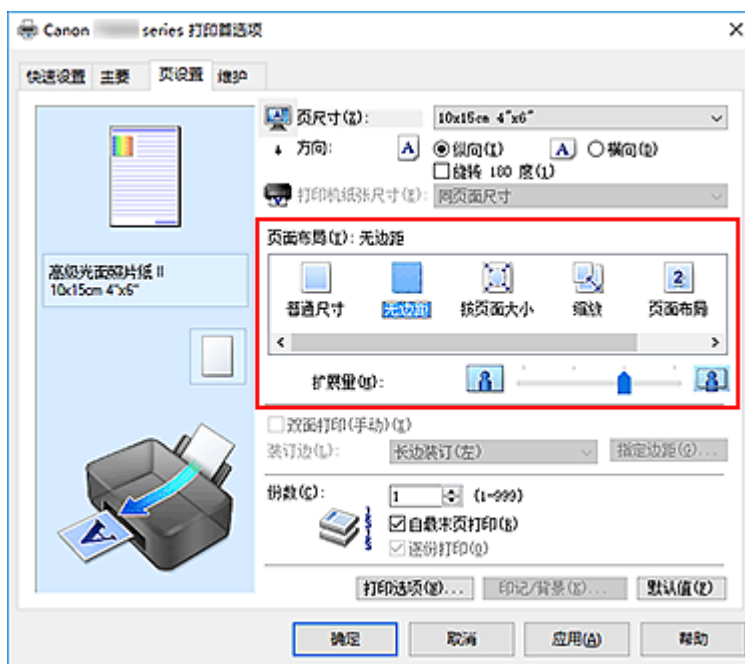


您也可以在快速设置选项卡上的附加功能中设置无边距打印。

设置无边距打印

1. 打开[打印机驱动程序设置窗口](#)
2. 设置无边距打印

从页设置选项卡上的页面布局列表中选择无边距。



出现确认信息时，单击**确定**。

出现信息提示您更改介质类型时，请从列表中选择介质类型并单击**确定**。

3. 检查纸张尺寸

检查页尺寸列表。想要更改此项时，请从列表中选择其他页尺寸。列表仅显示适用于无边距打印的尺寸。

4. 调整纸张的扩展量

根据需要，使用**扩展量**滑块调整扩展量。

向右移动滑块增加超出纸张的扩展量，向左移动减少超出纸张的扩展量。

在大多数情况下，建议将滑块调至从右边数第二个位置。



重要事项

- 将**扩展量**滑块调至最右端位置时，纸张背面可能会变脏。

5. 单击确定

当执行打印时，将不在纸张上留有任何边距来打印数据。

重要事项

- 当选择了不适用于无边距打印的页尺寸时，该尺寸将自动更改为适用于无边距打印的页尺寸。
- 当选择了**无边距**时，**页设置**选项卡上的**打印机纸张尺寸**、**双面打印(手动)**、**装订边设置**和**印记/背景...** (**印记...**)按钮将显示为灰色且不可用。
- 从**主要**选项卡上的**介质类型**列表中选择**普通纸**时，无法执行无边距打印。
- 根据无边距打印过程中使用的介质类型，纸张顶部和底部的打印质量可能变差或染污。
- 当纸张的长宽比例不同于图像数据时，根据使用的介质尺寸，可能无法打印部分图像。在这种情况下，根据纸张尺寸使用应用程序软件裁剪图像数据。

扩展文档的打印范围

设置较大的扩展量可确保无边距打印顺利执行。然而，无法打印超出纸张范围的文档部分，因此，可能无法打印照片边缘处的物件。

对无边距打印的结果不满意时，请减少扩展量。向左移动**扩展量**滑块减少扩展量。

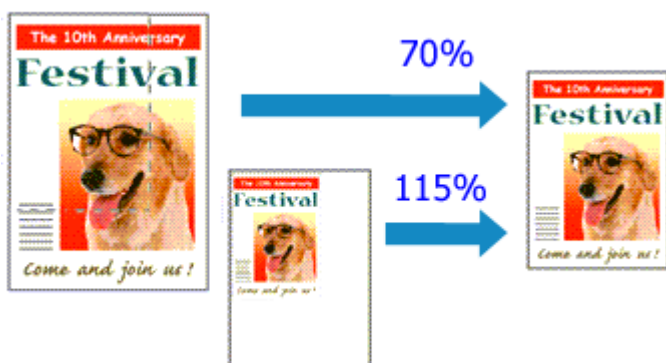
重要事项

- 当减少扩展量时，根据纸张尺寸，打印件上可能会出现多余的边距。

注释

- 当**扩展量**滑块设置在最左端时，将以全尺寸打印图像数据。如果在打印明信片的地址面时设置了该项，则会在正确的位置上打印发送方的邮政编码。
- 当在**打印前预览**选项卡上选中了**主要**时，可以在打印前确认是否没有边距。

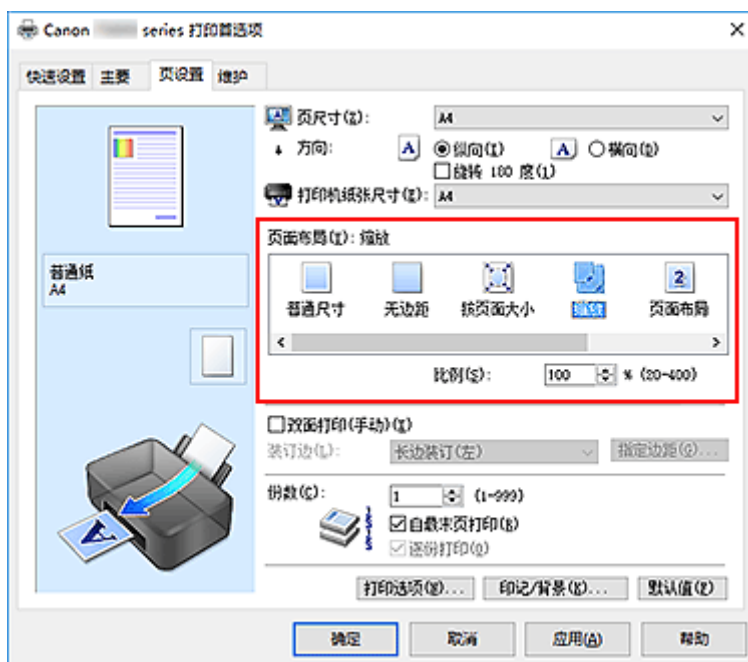
比例打印



1. 打开[打印机驱动程序设置窗口](#)

2. 设置比例打印

从页设置选项卡上的页面布局列表中选择缩放。



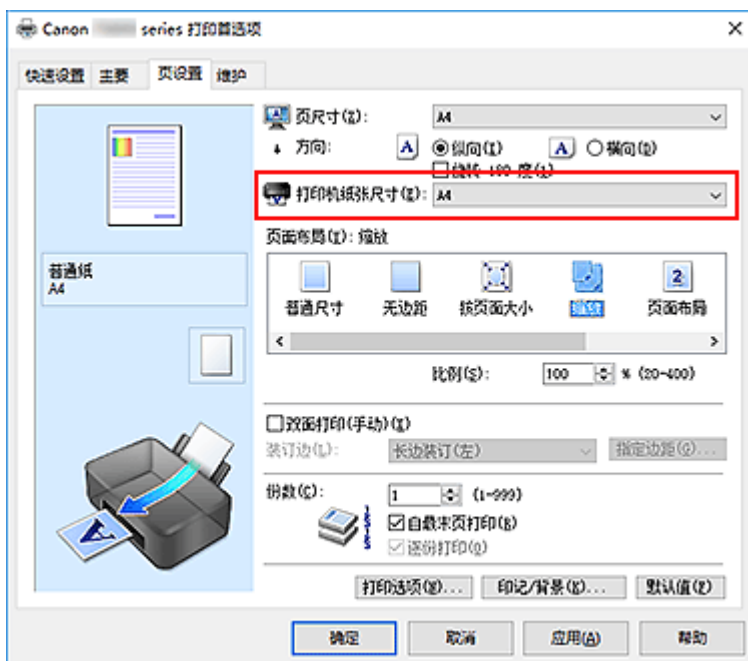
3. 选择文档的纸张尺寸

使用页尺寸，选择使用应用程序软件设置的页尺寸。

4. 使用以下一种方法设置缩放比例：

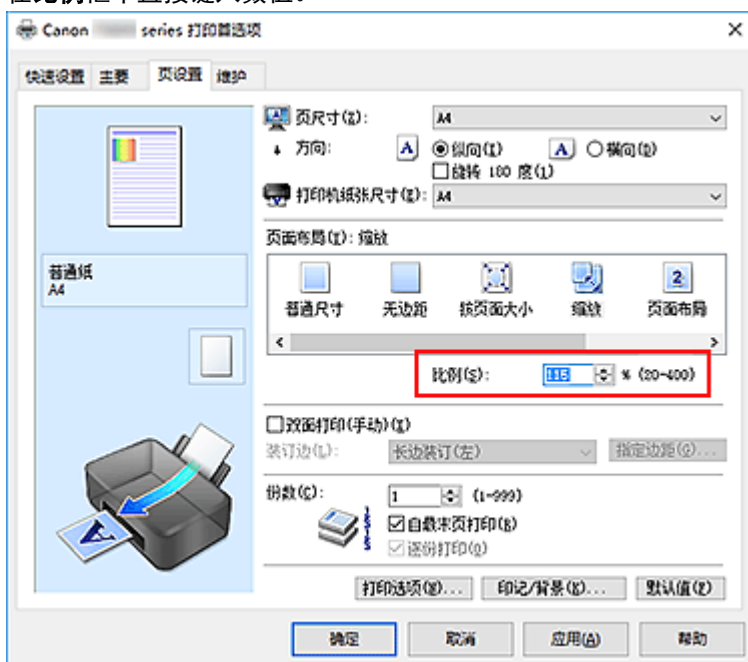
- 选择一种打印机纸张尺寸

当打印机纸张尺寸小于页尺寸时，页面图像将被缩小。当打印机纸张尺寸大于页尺寸时，页面图像将被放大。



- 指定比例因数

在比例框中直接键入数值。



当前设置显示在打印机驱动程序左侧的设置预览中。

5. 单击确定

当执行打印时，将以指定的比例打印文档。

重要事项

- 当用于创建原稿的应用程序软件具有比例打印功能时，请在该应用程序软件上配置此设置。您无需在打印机驱动程序中配置相同的设置。

»» 注释

- 选择**缩放**将更改文档的可打印区域。

页面布局打印

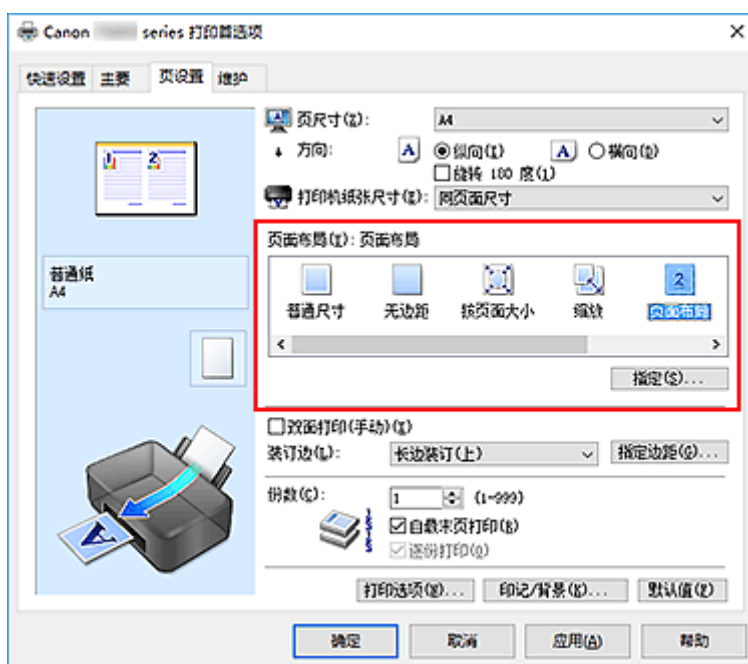
页面布局打印功能可以在一张纸上打印多页图像。



1. 打开[打印机驱动程序设置窗口](#)

2. 设置页面布局打印

从页设置选项卡上的页面布局列表中选择页面布局。
当前设置显示在打印机驱动程序左侧的设置预览中。

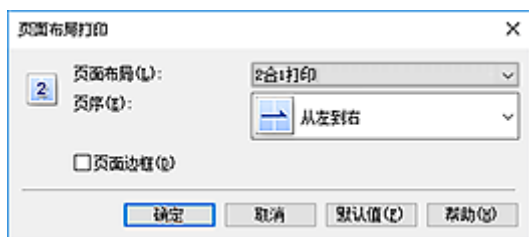


3. 选择打印纸张尺寸

从打印机纸张尺寸列表中选择装入打印机的纸张尺寸。

4. 设置在单页上要打印的页数和页序

如有必要，单击指定...，在页面布局打印对话框中指定以下设置，然后单击确定。



页面布局

要更改在单页纸上的打印份数，请从列表中选择份数。

页序

要更改页面排列顺序，请从列表中选择一种放置方法。

页面边框

要在各文档页面周围打印页面边框，请选中该复选框。

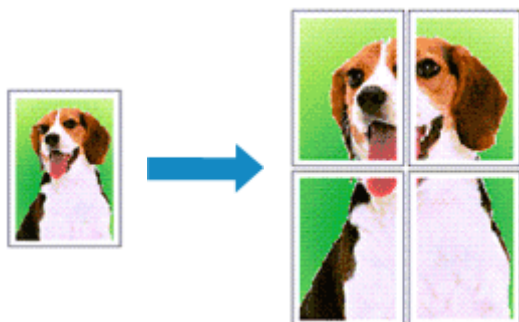
5. 完成设置

单击**页设置**选项卡上的**确定**。

当执行打印时，将按照指定顺序在每页纸张上排列指定数目的页面。

平铺/海报打印

平铺/海报打印功能可以放大图像数据，将放大后的数据分成几页并分别打印在单独的纸张上。可以将多页粘贴在一起制作大型印刷品，如海报。



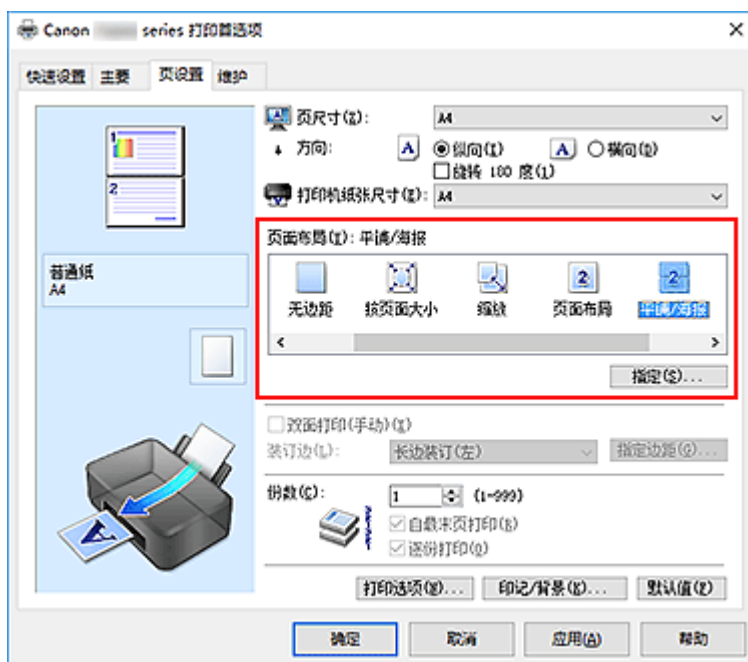
设置平铺/海报打印

1. 打开[打印机驱动程序设置窗口](#)

2. 设置平铺/海报打印

从[页设置](#)选项卡上的[页面布局](#)列表中选择[平铺/海报](#)。

当前设置显示在打印机驱动程序左侧的设置预览中。

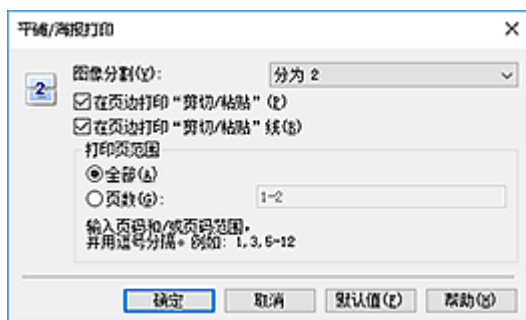


3. 选择打印纸张尺寸

从[打印机纸张尺寸](#)列表中选择装入打印机的纸张尺寸。

4. 设置图像分割和要打印页的数目

如有必要，单击[指定...](#)，在[平铺/海报打印](#)对话框中指定以下设置，然后单击[确定](#)。



图像分割

选择分割数目(垂直 x 水平)。

随着分割数目的增加，打印所需的纸张也会增加。如果将多页粘贴在一起制作海报，增加分割数目可以制作大型海报。

在页边打印“剪切/粘贴”

要省略“剪切”和“粘贴”文字，不选中该复选框。

►► 注释

- 当使用某些打印机驱动程序或操作环境时，该功能可能不可用。

在页边打印“剪切/粘贴”线

要省略剪切线，不选中该复选框。

打印页范围

指定打印范围。通常情况下选择**全部**。

要仅重新打印指定页面，选择**页数**并输入要打印的页数。要指定多页，请用逗号分隔输入的页码或在页码间输入连字符来输入页数。

►► 注释

- 通过单击设置预览中的页面，您也可以指定打印范围。

5. 完成设置

单击**页设置**选项卡上的**确定**。

当执行打印时，打印过程中文档将被分割成多个页面。

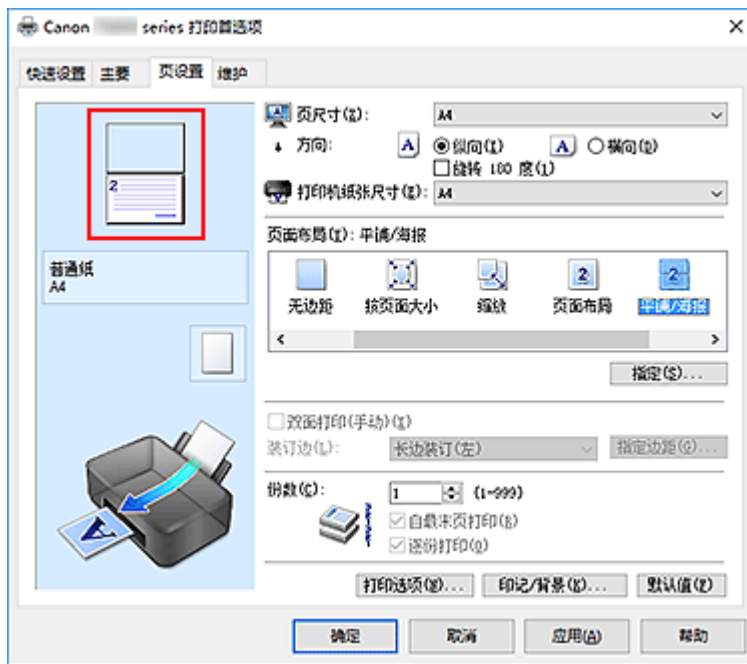
仅打印指定页面

如果打印期间墨水变得暗淡或耗尽，您可以仅重新打印指定的页面，步骤如下：

1. 设置打印范围

在**页设置**选项卡左侧的设置预览中，单击不需要打印的页面。

将删除被单击的页面，仅显示需要打印的页面。



注 释

- 单击已删除的页可再次显示。
- 右键单击设置预览以选择打印所有页或删除所有页。

2. 完成设置

完成页面选择后，单击**确定**。
当执行打印时，仅打印指定页。

重要事项

- 因为打印时平铺/海报打印使文档放大，打印结果可能变得粗糙。

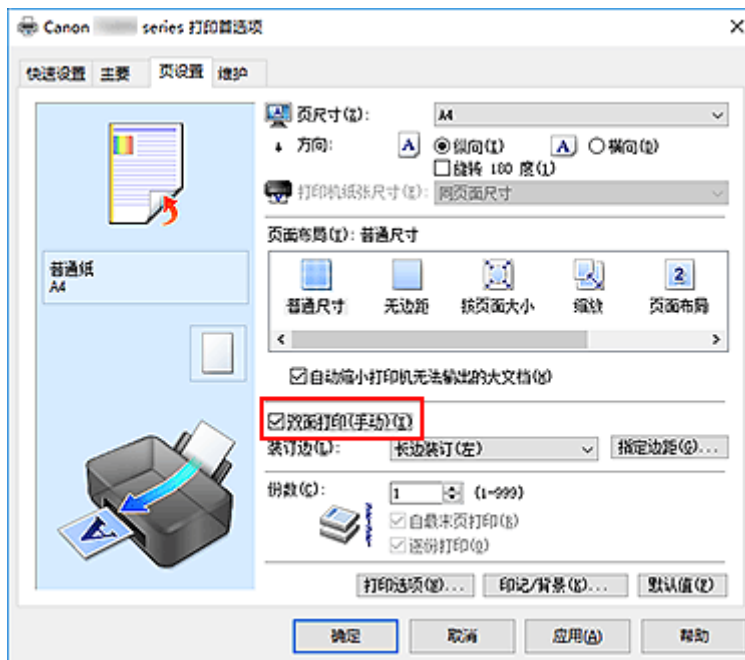
双面打印



您也可以设置**快速设置**选项卡上**附加功能**中的双面打印。

1. 打开[打印机驱动程序设置窗口](#)
2. 设置双面打印

在**页设置**选项卡上选中**双面打印(手动)**复选框。



3. 选择布局

从**页面布局**列表中选择**普通尺寸**、**按页面大小**、**缩放**或**页面布局**。

4. 指定装订边

从**方向**和**页面布局**设置自动选择最佳**装订边**。想要更改此设置时，请从列表中选择其他装订边。

5. 设置边距宽度

如有必要，单击**指定边距...**并设置边距的宽度，然后单击**确定**。

6. 完成设置

单击**页设置**选项卡上的**确定**。

当执行打印时，首先在纸张的单面打印文档。打印完一面后，根据信息重新正确装入纸张。

然后单击**开始打印**以打印另一面。

重要事项

- 在**主要**选项卡的**介质类型**中选择**普通纸**以外的介质类型时，**双面打印(手动)**显示为灰色且不可用。
- 当从**页面布局**列表选择了**无边距、平铺/海报**或**书册**时，**双面打印(手动)**和**装订边**将显示为灰色且不可用。

注释

- 如果在双面打印过程中纸张背面变脏，请执行 Canon IJ Printer Assistant Tool 中的**底板清洁**。

相关主题

- [清洁打印机内部](#)
- [更改打印机操作模式](#)

在明信片上打印

1. 在打印机中[装入明信片](#)

2. 打开[打印机驱动程序设置窗口](#)

3. 选择常用设置

显示**快速设置**选项卡并将**常用设置**选择为**标准**。

4. 选择介质类型

对于**介质类型**，请选择 **Ink Jet Hagaki (A)**、**Ink Jet Hagaki**、**Hagaki K (A)**、**Hagaki K**、**Hagaki (A)**或**Hagaki**。

重要事项

- 本打印机无法打印附有照片或贴纸的明信片。
- 分别打印明信片的每一面时，如果先打印信息面，然后再打印地址面，将获得更清晰的打印效果。
- 根据是在地址面打印还是在信息面打印，打印机驱动程序上的纸张设置有所不同。

5. 选择纸张尺寸

对于**打印机纸张尺寸**，选择 **Hagaki 100x148mm**。

6. 设置打印方向

要水平打印地址，请将**方向**设置为**横向**。

7. 选择打印质量

对于**打印质量**，根据用途，请选择**高**或**标准**。

8. 单击**确定**

执行打印时，将在明信片上打印数据。

重要事项

- 执行明信片打印时，将显示指南信息。
显示指南信息时，如果不想显示任何指南信息，选择**不要再次显示该信息**。
要再次显示指南信息，打开**维护**选项卡并单击**查看打印机状态**以启动 Canon IJ 状态监视器。
在**选项菜单**上，选择**显示指南信息**并单击 **Hagaki 打印**以启用设置。
- 在明信片以外的其他介质上打印时，根据该介质的使用方法装入介质，然后单击**开始打印**。

打印机驱动程序概述

- ▶ **Canon IJ 打印机驱动程序**
 - 打开打印机驱动程序的设置屏幕
- ▶ **Canon IJ 状态监视器**
 - 从计算机检查墨水状态
- ▶ **使用说明(打印机驱动程序)**

Canon IJ 打印机驱动程序

Canon IJ 打印机驱动程序(以下简称为打印机驱动程序)是安装在计算机上,以便能够与打印机通讯的软件。

打印机驱动程序将应用程序软件所生成的打印数据转换为打印机能够识别的数据,并将转换后的数据发送到打印机。

由于不同的打印机支持不同的数据格式,因此需要支持所用打印机的打印机驱动程序。

打印机驱动程序类型

除普通打印机驱动程序外,还可以安装 XPS 打印机驱动程序。

XPS 打印机驱动程序适用于从支持 XPS 打印的应用程序软件打印。

▶▶▶ 重要事项

- 请注意,如果要使用 XPS 打印机驱动程序,则必须同时安装常规打印机驱动程序。

安装打印机驱动程序

- 要安装常规打印机驱动程序,请从打印机附带的安装光盘上的**重新开始安装**安装驱动程序。
- 要安装 XPS 打印机驱动程序,请装入打印机附带的安装光盘,然后从**添加软件**中选择 **XPS 驱动程序**。

指定打印机驱动程序

要指定打印机驱动程序,打开所使用应用程序软件的**打印**对话框,然后选择“Canon XXX”(“XXX”表示型号名称),以指定常规打印机驱动程序,或选择“Canon XXX XPS”(“XXX”表示型号名称),以指定 XPS 打印机驱动程序。

从打印机驱动程序显示手册

要在打印机驱动程序设置屏幕显示设置选项卡的描述,请单击此选项卡上的**帮助**按钮。

相关主题

- [打开打印机驱动程序的设置屏幕](#)

打开打印机驱动程序的安装屏幕

可以从应用程序软件或通过单击打印机图标显示打印机驱动程序的安装屏幕。

从应用程序软件显示打印机驱动程序的安装屏幕

执行此步骤可在打印过程中进行打印设置。

1. 从应用程序软件中选择打印命令
通常可以在**文件**菜单中找到**打印**命令。
2. 选择打印机型号并单击**首选项(或属性)**

会出现打印机驱动程序的安装屏幕。

▶▶▶ 注释

- 根据所使用的应用程序软件不同，命令和菜单名称以及步骤数目可能会有所不同。有关详细资料，请参阅所用应用程序软件的操作说明。

通过单击打印机图标显示打印机驱动程序的安装屏幕

可以从设置屏幕执行打印机维护操作，如打印头清洗，或将打印设置为由所有应用程序软件共享。

1. 选择**控制面板 -> 硬件和声音 -> 设备和打印机**
2. 右键单击所用型号的图标。出现菜单时，请选择**打印首选项**

会出现打印机驱动程序的安装屏幕。

▶▶▶ 重要事项

- 通过**打印机属性**打开打印机驱动程序设置窗口，会显示有关 Windows 功能的选项卡，如**端口(或高级)**选项卡等。当通过**打印首选项**或应用程序软件打开时，不会出现这些选项卡。有关 Windows 功能选项卡的信息，请参阅 Windows 用户手册。

Canon IJ 状态监视器

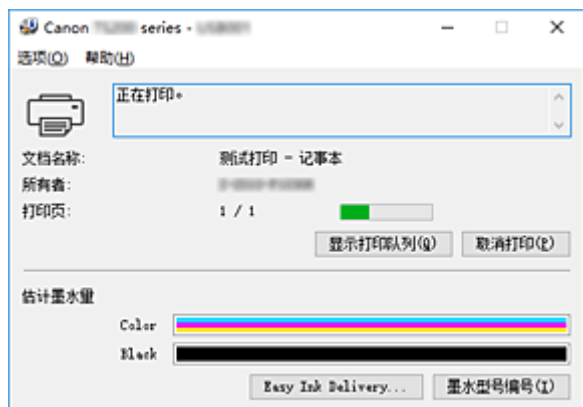
Canon IJ 状态监视器是一个应用程序软件，用于显示打印机状态和打印进程。您将通过图示、图标和信息了解打印机状态。

启动 Canon IJ 状态监视器

当打印数据发送到打印机时，Canon IJ 状态监视器将自动启动。启动时，Canon IJ 状态监视器在任务栏上显示为一个按钮。



单击显示在任务栏上的状态监视器按钮。显示 Canon IJ 状态监视器。



注 释

- 要在打印机未打印时打开 Canon IJ 状态监视器，请打开[打印机驱动程序设置窗口](#)，并单击**维护**选项卡上的**查看打印机状态**。
- 根据使用打印机时所在的国家或地区，显示在 Canon IJ 状态监视器的信息可能有所不同。

出现错误时

如果出现错误(例如，打印机中的纸张用完或墨水不足)，将自动显示 Canon IJ 状态监视器。



在这些情况下，请按照说明采取适当的操作。

从计算机检查墨水状态

可以检查剩余墨水量和所用型号的 FINE 墨盒类型。

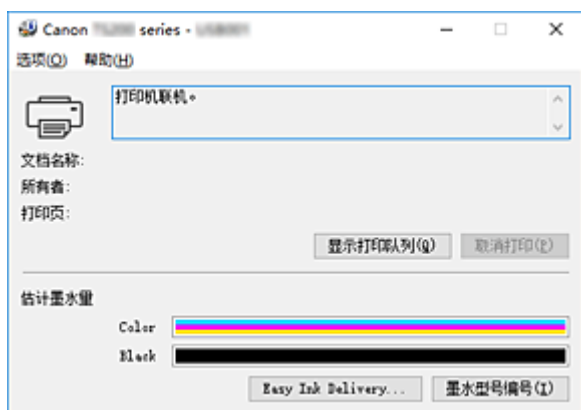
1. 打开[打印机驱动程序设置窗口](#)

2. 启动 Canon IJ 状态监视器

在**维护**选项卡上，单击**查看打印机状态**。

3. 显示估计墨水量

墨水状态如图所示。



»» 注释

- 根据使用打印机时所在的国家或地区，显示在 Canon IJ 状态监视器的信息可能有所不同。
- 收到关于剩余墨水量的通知时，墨水图标左侧会显示一个标记。

例如：



墨水量很少。准备一个新墨盒。

使用说明(打印机驱动程序)

该打印机驱动程序受以下限制。使用打印机驱动程序，请注意以下几点。

关于打印机驱动程序的限制

- 使用某些应用程序，可能无法启用打印机驱动程序**页设置**选项卡中的**份数**设置。在这种情况下，请使用应用程序软件的**打印**对话框中的份数设置。
- 如果**维护**选项卡中的**关于**对话框中选择的**语言**与操作系统界面语言不匹配，则打印机驱动程序设置窗口可能无法正常显示。
- 请勿更改打印机属性的**高级**选项卡项目。如果更改项目，您将无法正常使用以下功能。同样，如果在应用程序软件的**打印**对话框中选择了**打印到文件**，并且使用了禁止 EMF 后台打印的应用程序，如 Adobe Photoshop LE 和 MS Photo Editor，以下功能将不可用。
 - **主要**选项卡上的**打印前预览**
 - **页设置**选项卡上**打印选项**对话框中的**防止打印数据丢失**
 - **页设置**选项卡上的**页面布局**、**平铺/海报**、**书册**、**双面打印(手动)**、**指定边距...**、**自最末页打印**、**逐份打印和印记/背景...(印记...)**
 - **手动色彩调节**对话框中**色彩调整**选项卡上的**打印色彩调整图案**
- 由于预览显示中的分辨率与打印分辨率不同，所以预览显示中的文本和线条可能与实际打印效果不同。
- 使用某些应用程序，打印将分为多个打印作业。
要取消打印，请删除所有分散的打印作业。
- 如果没有正确打印图像数据，从**页设置**选项卡中显示**打印选项**对话框并更改**禁用应用程序软件所需的 ICM** 设置。这可能会解决问题。

►► 注释

- 当使用 XPS 打印机驱动程序时，无法使用**禁用应用程序软件所需的 ICM**。

使用存在限制的应用程序的注意事项

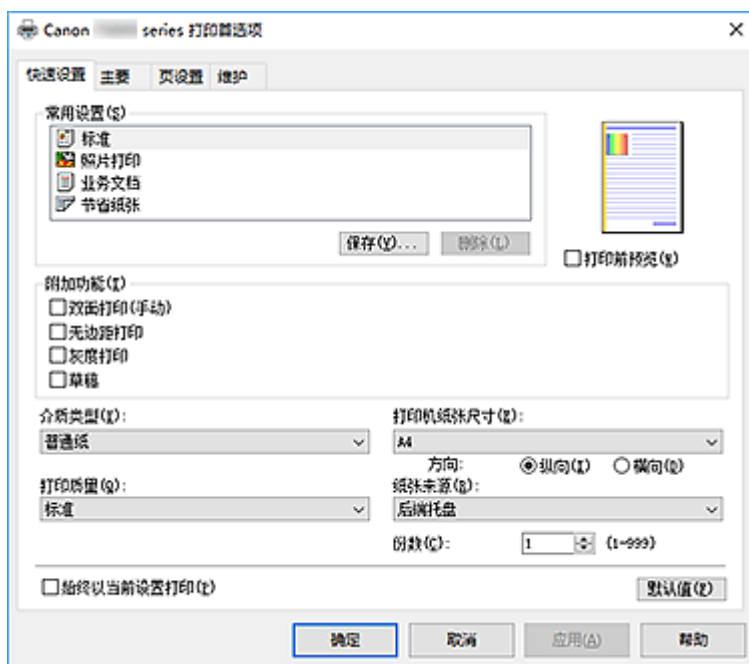
- 在 Microsoft Word (Microsoft Corporation)中存在以下限制。
 - 当 Microsoft Word 具有与打印机驱动程序相同的打印功能时，请使用 Word 指定这些功能。
 - 当为打印机驱动程序的**页设置**选项卡上的**页面布局**选择了**按页面大小**、**缩放**或**页面布局**时，某些 Word 版本的文档可能无法正常打印。
 - Word 中的**页尺寸**设置为“XXX 放大/缩小”时，某些 Word 版本的文档可能无法正常打印。
如果发生这种情况，请执行以下步骤。
 1. 打开 Word 的**打印**对话框。
 2. 打开**打印机驱动程序设置窗口**，在**页设置**选项卡上将**页尺寸**设置为与 Word 中所指定尺寸相同的纸张尺寸。
 3. 设置想要的**页面布局**，然后单击**确定**关闭此窗口。
 4. 在没有开始打印的情况下，关闭**打印**对话框。
 5. 再次打开 Word 的**打印**对话框。
 6. 打开打印机驱动程序设置窗口，并单击**确定**。
 7. 开始打印。
- 如果在 Adobe Illustrator (Adobe Systems Incorporated)中启用位图打印，打印时间可能会变长或者某些数据可能无法打印。取消选中**打印**对话框中的**位图打印**复选框，然后执行打印。

打印机驱动程序描述

- ▶ [快速设置选项卡描述](#)
- ▶ [主要选项卡描述](#)
- ▶ [页设置选项卡描述](#)
- ▶ [维护选项卡描述](#)
- ▶ [Canon IJ 状态监视器描述](#)

快速设置选项卡描述

快速设置选项卡用于注册常用打印设置。选择已注册的设置时，打印机自动转换至预置项目。



常用设置

注册常用打印配置文件的名称和图标。根据文档用途选择打印配置文件时，会应用符合用途的设置。

此外，可能对所选打印配置文件有用的功能会显示在**附加功能**中。

也可以更改打印配置文件并使用新名称进行注册。可以删除已注册的打印配置文件。

可以通过拖拽各个配置文件或者在按住 Ctrl 键的同时按向上或向下箭头键重新排列配置文件。

标准

这些是出厂设置。

如果从应用程序软件设置了**页尺寸**、**方向**和**份数**，则优先使用那些设置。

照片打印

如果在打印照片时选择此设置，将设置通常使用的照片纸和照片尺寸。**无边距打印**复选框会自动选中。

如果从应用程序软件设置了**方向**和**份数**，则优先使用那些设置。

业务文档

打印一般文档时选择该设置。

如果从应用程序软件设置了**页尺寸**、**方向**和**份数**，则优先使用那些设置。

节省纸张

打印一般文档时选择该设置以节省纸张。**2合1打印**和**双面打印(手动)**复选框会自动选中。

如果从应用程序软件设置了**页尺寸**、**方向**和**份数**，则优先使用那些设置。

注

- 为在保存所添加打印配置文件时选择的打印配置文件显示的**附加功能**组合，在选择该添加的打印配置文件时也会显示。

保存...

显示**保存常用设置对话框**。

要将**快速设置**、**主要**和**页设置**选项卡中设置的信息保存到**常用设置**时，请单击该按钮。

删除

删除已注册的打印配置文件。

选择要从**常用设置**删除的设置名称，并单击**删除**。显示确认信息时，单击**确定**删除指定的打印配置文件。

注 释

- 无法删除注册在初始设置中的打印配置文件。

设置预览

纸张图示显示了如何在一张纸上布置原稿。

您可以查看整体布局图像。

打印前预览

在实际打印数据前显示打印效果。

选中该复选框以在打印前显示预览。

如果不想显示预览，则取消选中该复选框。

重要事项

- 要使用 Canon IJ XPS 预览，必须在计算机上安装 Microsoft .NET Framework 4.5.2 或更高版本。

附加功能

显示在**快速设置**选项卡上的**常用设置**中选择的打印配置文件的常用便捷功能。

将鼠标指针移动到可以更改的功能附近时，会显示该功能的说明。

要启用该功能，请选中相应的复选框。

对于某些功能，可以从**主要**和**页设置**选项卡设置详细设置。

重要事项

- 根据打印配置文件，某些功能可能显示为灰色且无法更改。

2 合 1 打印

在一页纸上并排打印两页文档。

要更改页序，请单击**页设置**选项卡，为**页面布局**选择**页面布局**，并单击**指定...**。然后，在出现的**页面布局打印对话框**中指定**页序**。

4 合 1 打印

在一页纸上并排打印四页文档。

要更改页序，请单击**页设置**选项卡，为**页面布局**选择**页面布局**，并单击**指定...**。然后，在出现的**页面布局打印对话框**中指定**页序**。

双面打印(手动)

选择是在纸张的双面还是单面手动打印文档。

要更改装订边或边距，请从**页设置**选项卡设置新值。

无边距打印

执行无边距打印时不在纸张上留有任何边距。

使用无边距打印功能会放大要打印的文档，从而使其略微超出纸张。换句话说，打印的文档没有任何边距。

要调整文档超出纸张的扩展量，请单击**页设置**选项卡，选择**无边距**，然后在**扩展量**中输入数值。

灰度打印

当打印文档时，该功能将数据转换为单色数据。

草稿

该设置适用于测试打印。

旋转 180 度

通过向进纸方向旋转 180 度打印文档。

将在垂直和水平方向上反转其他应用程序软件中配置的打印区域宽度和扩展量。

色彩/浓度手动调节

在设置**色彩修正**方法和各项设置时进行选择，如**青色、品红色、黄色、亮度、浓度和对比度**等。

介质类型

选择打印纸张的类型。

选择与装入打印机中的纸张相匹配的介质类型。这可确保指定的纸张执行正确打印。

打印机纸张尺寸

选择实际装入打印机的纸张尺寸。

通常，根据输出纸张尺寸设置自动设置纸张尺寸，打印文档时不进行缩放。

当在**附加功能**中设置**2 合 1 打印**或**4 合 1 打印**时，可以通过**页设置**选项卡中的**页尺寸**手动设置纸张尺寸。

如果选择的纸张尺寸小于**页尺寸**，则文档尺寸将被缩小。如果选择的纸张尺寸较大，则文档尺寸将被放大。

同样，如果选择**用户定义...**，**用户定义纸张尺寸对话框**将打开，可以指定任何垂直和水平尺寸的纸张尺寸。

方向

选择打印方向。

如果用于创建文档的应用程序具有相同的功能，请选择在此应用程序中选择的相同方向。

纵向

打印文档，使顶端和底端位置相对于进纸方向没有更改。此为默认设置。

横向

通过相对于进纸方向旋转 90 度打印文档。

通过进入 Canon IJ Printer Assistant Tool，打开**用户定义设置**对话框，然后使用**当方向为[横向]时向左旋转 90 度**复选框，可以更改旋转方向。

要在打印时将文档向左旋转 90 度，请选中**当方向为[横向]时向左旋转 90 度**复选框。

打印质量

选择所需的打印质量。

选择以下其中一种以设置合乎用途的打印质量级别。

要单独设置打印质量级别，请单击**主要**选项卡，将**打印质量**选择为**用户定义**。**设置...**变为启用。单击**设置...**以打开**用户定义对话框**，然后指定所需设置。

高

打印质量优于打印速度。

标准

以平均的速度和质量打印。

草稿

该设置适用于测试打印。

纸张来源

显示供入纸张的来源。

后端托盘

一直由后端托盘供纸。

份数

指定要打印的份数。可以指定一个从 1 到 999 之间的数值。

重要事项

- 当创建文档的应用程序软件具有相同的功能时，请指定打印机驱动程序¹的设置。然而，如果打印结果不能令人满意，请指定应用程序软件上的功能设置。

始终以当前设置打印

从下次执行打印开始以当前设置打印文档。

选择该功能后关闭[打印机驱动程序设置窗口](#)时，将保存在**快速设置**、**主要**和**页设置**选项卡中设置的信息，并且从下次执行打印开始可以使用相同的设置打印。

重要事项

- 如果使用其他用户名称登录，启用该功能时所设的设置不会体现在打印设置中。
- 如果在应用程序软件中指定了设置，则优先使用该设置。

默认值

将修正中所做的设置恢复至默认状态。

单击该按钮可将**快速设置**、**主要**和**页设置**选项卡上的所有设置恢复为默认值(出厂设置)。

保存常用设置对话框

在该对话框上，可以保存**快速设置**、**主要**和**页设置**选项卡中设置的信息，并将这些信息添加到**快速设置**选项卡上的**常用设置**列表中。

名称

输入要保存的打印配置文件的名称。

最多可以输入 255 个字符。

该名称及其关联的图标会出现在**快速设置**选项卡上的**常用设置**列表中。

选项...

打开[保存常用设置对话框](#)。

更改要保存的打印配置文件的详细信息。

保存常用设置对话框

选择要注册到**常用设置**中的打印配置文件的图标，并在打印配置文件中更改要保存的项目。

图标

选择要保存的打印配置文件的图标。

所选的图标及其名称会出现在**快速设置**选项卡上的**常用设置**列表中。

保存纸张尺寸设置

将纸张尺寸保存到**常用设置**中的打印配置文件。

要在选择打印配置文件时应用保存的纸张尺寸，请选中该复选框。

如果取消选中该复选框，则不保存纸张尺寸，因此选择打印配置文件时不应用纸张尺寸设置。打印机将使用通过应用程序软件指定的纸张尺寸进行打印。

保存方向设置

将方向保存到**常用设置**中的打印配置文件。

要在选择打印配置文件时应用保存的打印方向，请选中该复选框。

如果取消选中该复选框，则不保存打印方向，因此选择打印配置文件时不应用**方向**设置。打印机将使用通过应用程序软件指定的打印方向进行打印。

保存份数设置

将份数设置保存到常用设置中的打印配置文件。

要在选择打印配置文件时应用保存的份数设置，请选中该复选框。

如果取消选中该复选框，则不保存份数设置，因此选择打印配置文件时不应用份数设置。打印机将使用通过应用程序软件指定的份数设置进行打印。

用户定义纸张尺寸对话框

在该对话框上，您可以指定用户定义纸张的尺寸(宽度和高度)。

单位

选择用于输入用户定义纸张尺寸的单位。

纸张尺寸

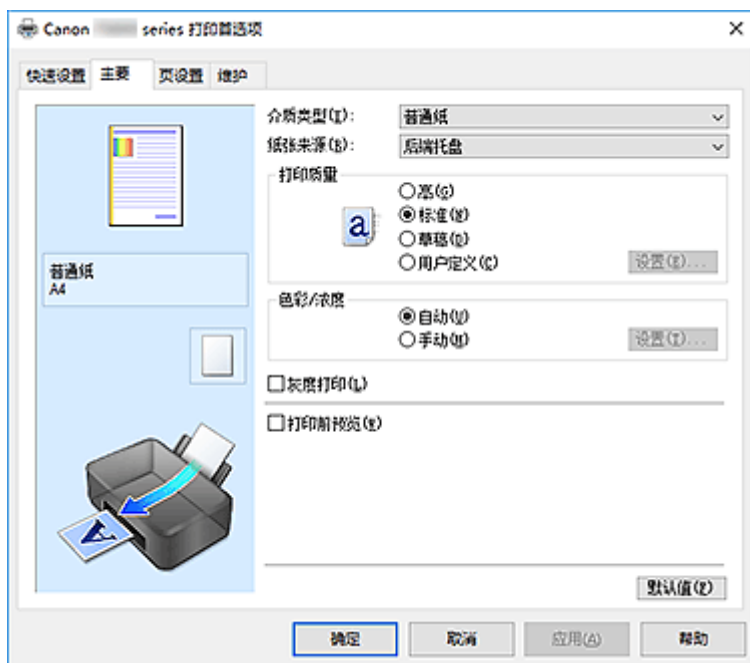
指定用户定义纸张的宽度和高度。根据单位中指定的单位显示测量。

相关主题

- [基本打印设置](#)
- [设置页尺寸和方向](#)
- [设置打印份数和打印顺序](#)
- [执行无边距打印](#)
- [双面打印](#)
- [在明信片上打印](#)
- 打印前显示打印效果
- 设置纸张尺寸(用户定义尺寸)
- 用单色打印彩色文档
- 指定色彩修正
- 调整色彩平衡
- 使用样本图案调整色彩平衡(打印机驱动程序)
- 调节亮度
- 调节浓度
- 调节对比度
- 使用样本图案调整浓度/对比度(打印机驱动程序)
- [注册常用打印配置文件](#)

主要选项卡描述

在**主要**选项卡上，可以根据介质类型创建基本打印设置。除非要求进行特殊打印，否则仅需在该选项卡上设置各项目即可执行常规打印。



设置预览

纸张图示显示了如何在一张纸上布置原稿。

您可以查看整体布局图像。

介质类型

选择打印纸张的类型。

选择与装入打印机中的纸张相匹配的介质类型。这可确保指定的纸张执行正确打印。

纸张来源

显示供入纸张的来源。

后端托盘

一直由后端托盘供纸。

打印质量

选择所需的打印质量。

选择以下其中一种以设置合乎用途的打印质量级别。

重要事项

- 根据**介质类型**设置，即使更改**打印质量**，可能也会产生相同的打印效果。

高

打印质量优于打印速度。

标准

以平均的速度和质量打印。

草稿

该设置适用于测试打印。

用户定义

当要分别设置打印质量级别时选择该项。

设置...

将**打印质量**选择为**用户定义**以启用此按钮。

打开**用户定义对话框**。然后您可以分别设置打印质量级别。

色彩/浓度

选择色彩调整方法。

自动

自动调整**青色、品红色、黄色、亮度、浓度和对比度**等。

手动

在设置各项设置(如**青色、品红色、黄色、亮度、浓度和对比度**等以及**色彩修正方法**)时选择。

设置...

将**色彩/浓度**选择为**手动**以启用该按钮。

在**手动色彩调节对话框**中，可以调整**色彩调整选项卡**上的各项色彩设置，如**青色、品红色、黄色、亮度、浓度和对比度**，并选择**匹配选项卡**上的**色彩修正方法**。

►► 注释

- 如果想使用 ICC 配置文件调整色彩，请使用**手动色彩调节对话框**以设置此配置文件。

灰度打印

当打印文档时，该功能将数据转换为单色数据。

选中该复选框以单色打印彩色文档。

打印前预览

在实际打印数据前显示打印效果。

选中该复选框以在打印前显示预览。

►► 重要事项

- 要使用 Canon IJ XPS 预览，必须在计算机上安装 Microsoft .NET Framework 4.5.2 或更高版本。

默认值

将修正中所做的设置恢复至默认状态。

单击此按钮会将当前屏幕上的所有设置恢复为默认值(出厂设置)。

用户定义对话框

设置质量级别并选择所需的打印质量。

质量

可以使用滑动条来调整打印质量级别。

►► 重要事项

- 根据**介质类型**的设置，可能无法选择某些打印质量级别。

►► 注释

- 使用滑动条可以设置**高、标准或草稿**打印质量模式。因此，移动滑动条时，左侧会显示相应的质量和数值。此操作与**主要选项卡**上的**打印质量**选择为相应的单选按钮时获得的效果相同。

色彩调整选项卡

在此选项卡上，可以更改青色、品红色、黄色、亮度、浓度和对比度选项的设置，从而调整色彩平衡。

预览

显示色彩调节的效果。

调整各项目时，色彩和亮度将会改变。

注 释

- 当选中灰度打印复选框时，图形以单色显示。

查看彩色图案

显示一个图案以查看色彩调节带来的颜色变更。

如果要以一种色彩图案显示预览图像，请选中该复选框。

青色/品红色/黄色

调整青色、品红色和黄色的强度。

向右移动滑块将使色彩更深，向左移动滑块将使色彩更浅。

也可以直接输入与滑块关联的数值。输入从-50 到 50 范围内的数值。

此调整可更改各色彩使用的相对墨水量，而墨水量可改变文档的整体色彩平衡。如果想有效地更改整体色彩平衡，请使用应用程序。仅当要细微调整色彩平衡，请使用打印机驱动程序。

重 要 事 项

- 当选中主要选项卡上的灰度打印复选框时，青色、品红色和黄色将显示为灰色且不可用。

亮度

选择打印的亮度。

您无法更改纯白色和纯黑色水平。但是，可以更改白色和黑色之间色彩的对比度。

浓度

调整打印的整体浓度。

向右移动滑块将增加浓度，向左移动将减少浓度。

也可以直接输入与滑块关联的数值。输入从-50 到 50 范围内的数值。

对比度

调整要打印图像中明暗之间的对比度。

向右移动滑块将增加对比度，向左移动滑块将减少对比度。

也可以直接输入与滑块关联的数值。输入从-50 到 50 范围内的数值。

打印色彩调整的图案

更改色彩平衡或浓度/对比度时，图案打印功能将打印调整结果和调整值的列表。

打印色彩调整的图案时，选择该功能。

图案打印自定格式...

选中打印色彩调整图案以启用该按钮。

[图案打印对话框](#)将打开，可以设置图案打印设置。

图案打印对话框

执行可打印用于检查文档色彩平衡和浓度/对比度的图案的设置。

调整参数

选择要通过图案打印检查的项目。

青色/品红色/黄色

打印可以用于检查青色/品红色/黄色平衡的图案。

重要事项

- 当选中主要选项卡上的**灰度打印**时，**青色/品红色/黄色**将显示为灰色且不可用。

浓度/对比度

打印可以用于检查浓度/对比度平衡的图案。

打印机纸张尺寸

选择要用于图案打印的纸张尺寸。

此设置连接**页设置**选项卡上的**打印机纸张尺寸**。

注释

- 根据**页设置**选项卡上选择的纸张尺寸，有些尺寸可能无法选择。

图案示例数量

设置要打印图案的数量。

可以从**最大**、**大**和**小**中进行选择。选择图案尺寸时，可以打印的图案数量如下：

注释

- 选择某些纸张尺寸或输出纸张尺寸时，不能选择**最大**和**大**。
- **主要**选项卡上的设置预览显示的图像可以查看整体布局。

最大

青色/品红色/黄色 37

浓度/对比度 49

大

青色/品红色/黄色 19

浓度/对比度 25

小

青色/品红色/黄色 7

浓度/对比度 9

示例间的颜色变化

设置相邻图案之间的色彩更改量。

可以从**大**、**中**和**小**中进行选择。**大**将产生大量更改，**小**将产生少量更改。

注释

- **大**约是中大小的两倍，**小**约是中大小的一半。

匹配选项卡

可以选择调整色彩的方法以便与要打印文档的类型匹配。

色彩修正

可以选择**驱动校正**、**ICM(ICC 配置文件校正)**或**无**以符合打印操作的用途。

重要事项

- 当选中主要选项卡上的**灰度打印**时，**色彩修正**将显示为灰色且不可用。

驱动校正

通过使用 Canon 数码照片色彩，可以使用大众喜爱的色彩打印 sRGB 数据。

ICM(ICC 配置文件校正)

打印时通过使用 ICC 配置文件调整色彩。

重要事项

- 如果设置应用程序软件以便禁用 ICM，则**色彩修正**中的 **ICM(ICC 配置文件校正)**不可用并且打印机可能无法正确打印图像数据。

无

使用打印机驱动程序禁用色彩调整。

注释

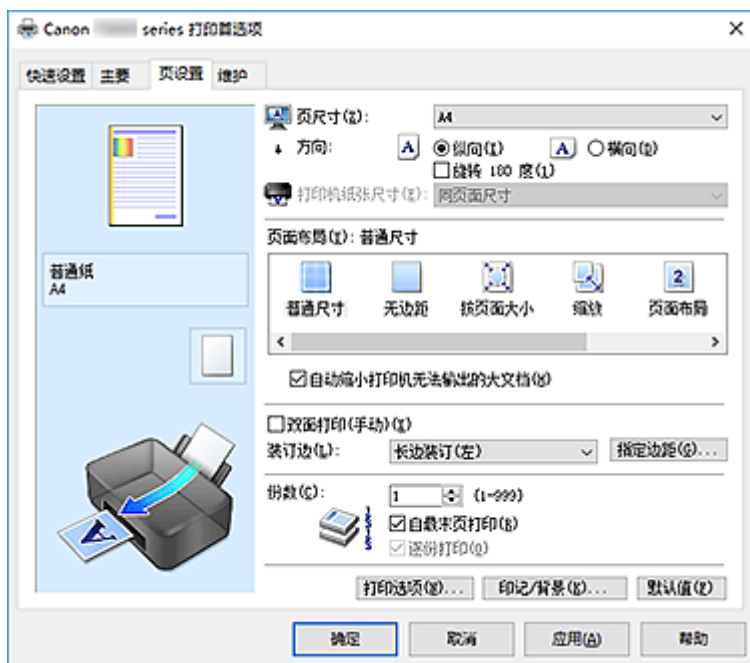
- 在 XPS 打印机驱动程序中，**ICM** 已变为 **ICC 配置文件校正**。

相关主题

- 设置打印质量级别(用户定义)
- 调整色彩平衡
- 调节亮度
- 调节浓度
- 调节对比度
- 使用样本图案调整色彩平衡(打印机驱动程序)
- 使用样本图案调整浓度/对比度(打印机驱动程序)
- 指定色彩修正
- 使用打印机驱动程序调整色彩
- 使用 ICC 配置文件进行打印
- 用单色打印彩色文档
- 打印前显示打印效果

页设置选项卡描述

页设置选项卡还允许您决定如何在纸张上排列文档。还可以通过此选项卡设置打印的份数和顺序。如果创建文档的应用程序具有类似的功能，请使用该应用程序进行设置。



设置预览

纸张图示显示了如何在一张纸上布置原稿。

您可以查看整体布局图像。

页尺寸

选择页尺寸。

确保选择与在应用程序中所选择尺寸相同的页尺寸。

如果选择用户定义...，[用户定义纸张尺寸对话框](#)将打开，可以指定任何垂直和水平尺寸的纸张尺寸。

方向

选择打印方向。

如果用于创建文档的应用程序具有相同的功能，请选择在此应用程序中选择的相同方向。

纵向

打印文档，使顶端和底端位置相对于进纸方向没有更改。此为默认设置。

横向

通过相对于进纸方向旋转 90 度打印文档。

通过进入 Canon IJ Printer Assistant Tool，打开[用户定义设置对话框](#)，然后使用**当方向为[横向]时向左旋转 90 度**复选框，可以更改旋转方向。

要在打印时将文档向左旋转 90 度，请选中**当方向为[横向]时向左旋转 90 度**复选框。

旋转 180 度

通过向进纸方向旋转 180 度打印文档。

将在垂直和水平方向上反转其他应用程序软件中配置的打印区域宽度和扩展量。

打印机纸张尺寸

选择实际装入打印机的纸张尺寸。

默认设置为**同页面尺寸**以执行普通尺寸打印。

将**页面布局**选择为**按页面大小**、**缩放**、**页面布局**、**平铺/海报**或**书册**时，可以选择打印机纸张尺寸。

如果选择的纸张尺寸小于页尺寸，则文档尺寸将被缩小。如果选择的纸张尺寸较大，则文档尺寸将被放大。

同样，如果选择用户定义...，[用户定义纸张尺寸对话框](#)将打开，可以指定任何垂直和水平尺寸的纸张尺寸。

页面布局

选中待打印文档的尺寸和打印类型。

普通尺寸

此为普通打印方法。当未指定任何页面布局时选择该项。

自动缩小打印机无法输出的大文档

如果打印机无法打印文档的纸张尺寸，则打印机可以在打印文档时自动缩小尺寸。

选中该复选框以在打印文档时缩小尺寸。

无边距

选择无边距整页上还是带边距整页上打印。

如果使用无边距打印，原稿会被放大且略微超出纸张。这样可以执行无边距(边框)打印。

进行无边距打印时，使用**扩展量**来调整文档超出纸张的扩展量。

扩展量

进行无边距打印时，调整文档超出纸张的扩展量。

向右移动滑块可增加扩展量并确保无边距打印顺利执行。

向左移动滑块可减少扩展量并扩大文档的打印范围。

按页面大小

利用该功能可以自动放大或缩小文档以适合打印机中装入的纸张尺寸，而无需更改在应用程序软件中指定的纸张尺寸。

缩放

可以放大或缩小要打印的文档。

在**打印机纸张尺寸**中指定尺寸，或在**比例**对话框中输入缩放比例。

比例

为要打印的文档指定放大或缩小比例。

页面布局

可以在一张纸上打印多页文档。

指定...

打开[页面布局打印对话框](#)。

单击此按钮以设置有关页面布局打印的详细资料。

平铺/海报

利用此功能可以放大图像数据并将放大的数据分割成要打印的若干页面。还可以将这些纸张用胶水粘在一起制作大型印刷品，如海报。

指定...

打开[平铺/海报打印对话框](#)。

单击此按钮以设置有关平铺/海报打印的详细资料。

书册

书册打印功能可以将数据打印成册。将在纸张的双面打印数据。此打印类型可以确保将打印好的纸张沿中心对折并装订时，能够按照页码顺序正确分页。

指定...

打开[书册打印对话框](#)。

单击此按钮以设置有关书册打印的详细资料。

双面打印(手动)

选择是在纸张的双面还是单面手动打印文档。

选中该复选框以在双面打印文档。

只有**介质类型**选择为**普通纸**，且选择**普通尺寸**、**按页面大小**、**缩放**或**页面布局**中的一项时，才可以使用该功能。

装订边

选择装订边位置。

打印机将分析**方向**和**页面布局**设置，并自动选择最佳装订边位置。选中**装订边**，并从列表中选择以进行更改。

指定边距...

打开**指定边距对话框**。

可以指定边距的宽度。

份数

指定要打印的份数。可以指定一个从 1 到 999 之间的数值。

重要事项

- 如果用于创建文档的应用程序具有类似功能，请使用该应用程序指定份数，而不要在此处指定。

自末页打印

要从末页开始打印，请选中该复选框。如果选中该复选框，则无需在打印后将页面排序为正确顺序。

取消选中该复选框可按正常顺序从第一页开始打印文档。

逐份打印

当要打印多个副本时，选中该复选框可将各副本的页面组合在一起。

如果要在打印时将同一页码的所有副本组合在一起，请取消选中该复选框。

重要事项

- 当创建文档的应用程序软件具有相同的功能时，优先使用打印机驱动程序设置。然而，如果打印结果不能令人满意，请指定应用程序软件上的功能设置。当同时使用应用程序和本打印机驱动程序指定打印份数和打印顺序时，打印份数可能是两个设置的倍数或者指定的打印顺序可能不起作用。

打印选项...

打开**打印选项对话框**。

为打印从应用程序发送的打印数据而更改详细的打印机驱动程序设置。

印记/背景...(印记...)

打开**印记/背景(印记)对话框**。

印记功能可以在文档数据之上或之下打印印记文本或位图。该功能可以打印日期、时间和用户名称。

背景功能可以在文档数据之下打印浅色的图案。

注释

- 使用 XPS 打印机驱动程序，**印记/背景...**按钮变为**印记...**按钮，仅印记功能可用。

根据正在使用的打印机驱动程序类型和环境，**印记**和**背景**可能不可用。

用户定义纸张尺寸对话框

在该对话框上，您可以指定用户定义纸张的尺寸(宽度和高度)。

单位

选择用于输入用户定义纸张尺寸的单位。

纸张尺寸

指定用户定义纸张的**宽度**和**高度**。根据**单位**中指定的单位显示测量。

页面布局打印对话框

在该对话框上，您可以选择要在一张纸上放置的文档数量、页面顺序以及是否在各文档页面周围打印页面边框线。

可以在打印机驱动程序的设置预览中确认在此对话框中指定的设置。

预览图标

显示**页面布局打印**对话框中的设置。

可以在实际打印数据前查看打印效果。

页面布局

指定要充满整个页面的文档页数。

页序

指定在一张纸上打印的文档方向。

页面边框

在各文档页面周围打印页面边框线。

选中该复选框以打印页面边框线。

平铺/海报打印对话框

在该对话框上，您可以选择要打印图像的尺寸。还可以对剪切线和粘贴标记进行设置，以便将多个页面粘贴到一张海报中。

可以在打印机驱动程序的设置预览中确认在此对话框中指定的设置。

预览图标

显示**平铺/海报打印**对话框的设置。

您可以查看打印效果。

图像分割

选择分割数目(垂直 x 水平)。

随着分割数目的增加，打印所需的纸张也会增加。如果将多页粘贴在一起制作海报，增加分割数目可以制作大型海报。

在页边打印“剪切/粘贴”

指定是否在边距上打印“剪切”和“粘贴”文字。这些文字可以在将多个页面粘贴到一张海报中时作为指南。

选中该复选框以打印文字。

►►► 注释

- 根据正在使用的打印机驱动程序类型和环境，该功能可能不可用。

在页边打印“剪切/粘贴”线

指定是否打印可在将多个页面粘贴到一张海报中时作为指南的剪切线。

选中该复选框以打印剪切线。

打印页范围

指定打印范围。通常情况下选择**全部**。

选择**页数**以指定特定页面或范围。

»» 注释

- 如果部分页面的打印效果不好，则通过在**页设置**选项卡的设置预览中单击指定不需要打印的页面。此次将只打印屏幕上显示的页面。

书册打印对话框

在该对话框上，您可以设置如何将文档装订为书册。还可以在此对话框中设置仅在一面打印以及打印页面边框。

可以在打印机驱动程序的设置预览中确认在此对话框中指定的设置。

预览图标

显示在**书册打印**对话框中所做的设置。

您可以在打印为书册时查看文档效果。

装订边

指定书册装订面。

插入空白页

选择是在书册的单面还是双面打印文档。

选中该复选框以在书册的单面打印文档并从列表中选择保留为空白的一面。

边距

指定装订边的宽度。

从纸张的中心算起，该指定宽度为装订边。

页面边框

在各文档页面周围打印页面边框线。

选中该复选框以打印页面边框线。

指定边距对话框

在该对话框上，可以指定装订边的边距宽度。如果文档不适合在一页上打印，打印时将缩小文档。

边距

指定装订边的宽度。

通过**装订边**指定的页边宽度将成为装订边距。

打印选项对话框

更改设置以打印发送到打印机的数据。

根据正在使用的打印机驱动程序类型和环境，该功能可能不可用。

禁用应用程序软件所需的 ICM

禁用应用程序软件所需的 ICM 功能。

当应用程序软件使用 Windows ICM 打印数据时，可能会产生非所需色彩或者打印速度可能变慢。如果出现这些问题，选中该复选框可能会解决问题。

▶▶▶ 重要事项

- 在正常情况下取消选中该复选框。
- 当**手动色彩调节**对话框中**匹配**选项卡中的**色彩修正**选择为**ICM**时，无法使用该功能。

▶▶▶ 注释

- **禁用应用程序软件所需的 ICM** 选项卡无法用于 XPS 打印机驱动程序。

禁用应用程序软件的色彩配置文件设置

选中该复选框会禁用应用程序软件中设置的色彩配置文件中的信息。

当应用程序软件中设置的色彩配置文件中的信息输出到打印机驱动程序时，打印结果可能包含非所需色彩。如果发生这种情况，选中该复选框可能会解决问题。

▶▶▶ 重要事项

- 即使选中该复选框，也仅会禁用色彩配置文件中的某些信息，色彩配置文件仍可用于打印。
- 在正常情况下取消选中该复选框。

取消纸张组合

设置**介质类型**、**页尺寸**和**打印机纸张尺寸**的显示方式。

要分别显示项目，请选中该复选框。

要按组显示项目，请清除该复选框。

不允许应用程序软件压缩打印数据

禁止压缩应用程序软件打印数据。

如果打印结果中有图像数据缺失或非所需色彩，选中该复选框可能会改善情况。

▶▶▶ 重要事项

- 在正常情况下取消选中该复选框。

▶▶▶ 注释

- **不允许应用程序软件压缩打印数据**选项卡无法用于 XPS 打印机驱动程序。

逐页创建打印数据后打印

以页为单位创建打印数据，并且在处理完每一页打印数据后开始打印。

如果打印的文档包含条纹等非所需结果，选中该复选框可能会改善结果。

▶▶▶ 重要事项

- 在正常情况下取消选中该复选框。

使用最邻近插值算法缩放图像

如果图像将在打印时放大或缩小，打印机会使用简单插值处理放大或缩小图像。

如果打印文档中的图像数据未清晰打印，选中该复选框可能会改善结果。

▶▶▶ 重要事项

- 在正常情况下取消选中该复选框。

▶▶▶ 注释

- **使用最邻近插值算法缩放图像**仅能用于 XPS 打印机驱动程序。

防止打印数据丢失

可以缩小应用程序软件创建的打印数据的大小，然后打印这些数据。

根据所使用的应用程序软件，图像数据可能会被裁切或可能无法正确打印。在这种情况下，请选择**开**。如果不使用该功能，请选择**关**。

重要事项

- 当使用该功能时，根据打印数据，打印质量可能会下降。

打印数据处理单元

选择要发送到打印机的打印数据处理单元。

通常情况下选择**推荐**。

重要事项

- 某些设置可能会使用大量内存。
如果所用计算机只有少量内存，请勿更改该设置。

注释

- 打印数据处理单元选项卡无法用于 XPS 打印机驱动程序。

用于打印的墨水

从已安装的 FINE 墨盒中指定要使用的 FINE 墨盒。

从**所有颜色(默认)**、**仅彩色**、**仅黑色**中进行选择。

重要事项

- 指定以下设置时，**仅黑色**不起作用，因为打印机使用彩色 FINE 墨盒打印文档。
 - 在**主要选项卡**上为**介质类型**选择除**普通纸**以外的 **Ink Jet Hagaki (A)**、**Hagaki K (A)**、**Hagaki (A)**或 **Hagaki**
 - 从**页设置**选项卡上的**页面布局**列表中选择了**无边距**
- 不要取下未使用的 FINE 墨盒。当取下任一 FINE 墨盒时，将无法执行打印。

印记/背景(印记...)对话框

在**印记/背景(印记...)**对话框上，可以在文档页面之上或之下打印印记和/或背景。除了预先注册的印记或背景外，可以注册并使用自己原创的印记或背景。

注释

- 使用 XPS 打印机驱动程序，**印记/背景...**按钮变为**印记...**按钮，仅印记功能可用。

印记

印记打印是一项在文档上打印印记的功能。

选中该复选框并从列表中选择标题以打印印记。

定义印记...

打开**印记设置对话框**。

可以查看所选印记的详细信息或保存新的印记。

在文本上盖印记

设置在文档上打印印记的方式。

选中**印记**复选框以启用该设置。

选中该复选框以在打印文档页面之上打印印记。打印数据可能会隐藏在印记之下。

取消选中该复选框以将文档数据打印在印记之上。打印数据将不会隐藏在印记之下。但是，可能会隐藏与文档重叠的印记部分。

打印半透明印记

设置在文档上打印印记的方式。

选中**印记**复选框以启用该设置。

选中该复选框以在打印文档页面之上打印半透明印记。

取消选中该复选框以将印记打印在文档数据之上。打印数据可能会隐藏在印记之下。

►► 注释

- 打印半透明印记仅可用于 XPS 打印机驱动程序。

仅在首页加印记

当文档包含两页或更多页时，选择是仅在第一页上打印印记，还是在所有页上打印印记。

选中**印记**复选框以启用该设置。

选中该复选框以仅在第一页上打印印记。

背景

背景打印功能可以在文档之下打印图案或类似对象(位图)。

选中该复选框以打印背景，并从列表中选择标题。

选择背景...

打开[背景设置对话框](#)。

可以将位图注册为背景，并更改所选背景的布局方法和浓度。

仅在首页加背景

当文档包含两页或更多页时，选择是仅在第一页上打印背景，还是在所有页上打印背景。

选中**背景**复选框以启用该设置。

选中该复选框以仅在第一页上打印背景。

印记选项卡

在印记选项卡上可以设置要用于印记的文本和位图文件(.bmp)。

预览窗口

显示在各个选项卡中配置的印记状态。

印记类型

指定印记类型。

选择**文本**以使用字符创建印记。选择**位图**以使用位图文件创建。选择**日期/时间/用户名称**以显示打印文档的创建日期/时间和用户名称。

印记选项卡中的设置项目会根据所选类型而变化。

当印记类型为文本或日期/时间/用户名称时

印记文本

指定印记文本串。

最多可以输入 64 个字符。

对于**日期/时间/用户名称**，打印对象的创建日期/时间和用户名称将显示在印记文本中。

►► 重要事项

- 如果选择了**日期/时间/用户名称**，则印记文本显示为灰色且不可用。

TrueType 字体

选择印记文本串的字体。

风格

选择印记文本串的字体样式。

大小

选择印记文本串的字号。

外框

选择围绕印记文本串的外框。

如果**大小**选择为较大的字号，字符可能会延伸到印记边框以外。

颜色/选择颜色...

显示印记的当前颜色。

要选择其他颜色，请单击**选择颜色...**打开**颜色**对话框，并选择或创建要用于印记的颜色。

当印记类型为位图时

文件

指定要用作印记的位图文件的名称。

选择文件...

打开用于打开文件的对话框。

单击该按钮选择要用作印记的位图文件。

大小

调整要用作印记的位图文件的大小。

向右移动滑块将增加大小，向左移动滑块将减小大小。

透明白色区

指定是否使位图的白色填充区域变为透明。

选中该复选框以使位图的白色填充区域变为透明。

►► 注释

- 单击**默认值**可将**印记类型**设置为文本、将**印记文本**设置为空白、将**TrueType 字体**设置为 Arial、将**风格**设置为常规、将**大小**设置为 36 磅，取消选中**外框**，并将**颜色**设置为灰色，RGB 值(192、192、192)。

放置选项卡

在放置选项卡上，可以设置印记的打印位置。

预览窗口

显示在各个选项卡中配置的印记状态。

位置

指定页面上的印记位置。

从列表中选择**用户定义**，可以直接输入 **X 轴位置**和 **Y 轴位置**的坐标值。

方向

指定印记的旋转角度。可以通过输入角度值来设置角度。

负值会使印记顺时针旋转。

»» 注释

- 仅当印记选项卡上的**印记类型**选择为**文本**或**日期/时间/用户名称**时，**方向**才能启用。

»» 注释

- 单击**默认值**可将印记位置设置为**居中**并将方向设置为 0。

保存设置选项卡

在**保存设置**选项卡上，可以注册新的印记或删除不需要的印记。

标题

输入标题以保存所创建的印记。

最多可以输入 64 个字符。

»» 注释

- 标题的开头和末尾不能输入空格、制表符和回车。

印记

显示已保存印记的标题列表。

在**标题**中指定标题以显示相应的印记。

保存/保存改写

保存印记。

在**标题**中输入标题，然后单击该按钮。

删除

删除不需要的印记。

从**印记**列表中指定不需要的印记的标题，然后单击该按钮。

背景选项卡

在背景选项卡上可以选择要用作背景的位图文件(.bmp)或决定打印所选背景的方式。

预览窗口

显示在**背景**选项卡上设置的位图状态。

文件

指定要用作背景的位图文件的名称。

选择文件...

打开用于打开文件的对话框。

单击该按钮选择要用作背景的位图文件(.bmp)。

布局方法

指定如何在纸张上放置背景图像。

当选择**用户定义**时，可以设置 **X 轴位置**和 **Y 轴位置**的坐标。

浓度

调整要用作背景的位图的浓度。

向右移动滑块将增加浓度，向左移动将减少浓度。要以原始位图浓度打印背景，请将滑块移至最右端。

»» 注释

- 根据正在使用的打印机驱动程序类型和环境，该功能可能不可用。
- 单击**默认值**可将文件设置为空白，**布局方法**设置为**填充页**，并将**浓度**滑块设置为中间位置。

保存设置选项卡

在**保存设置**选项卡上，可以注册新的背景或删除不需要的背景。

标题

输入标题以保存所指定的背景图像。

最多可以输入 64 个字符。

»» 注释

- 标题的开头和末尾不能输入空格、制表符和回车。

背景

显示已注册背景的标题列表。

在**标题**中指定标题以显示相应的背景。

保存/保存改写

将图像数据保存为背景。

插入**标题**后，单击该按钮。

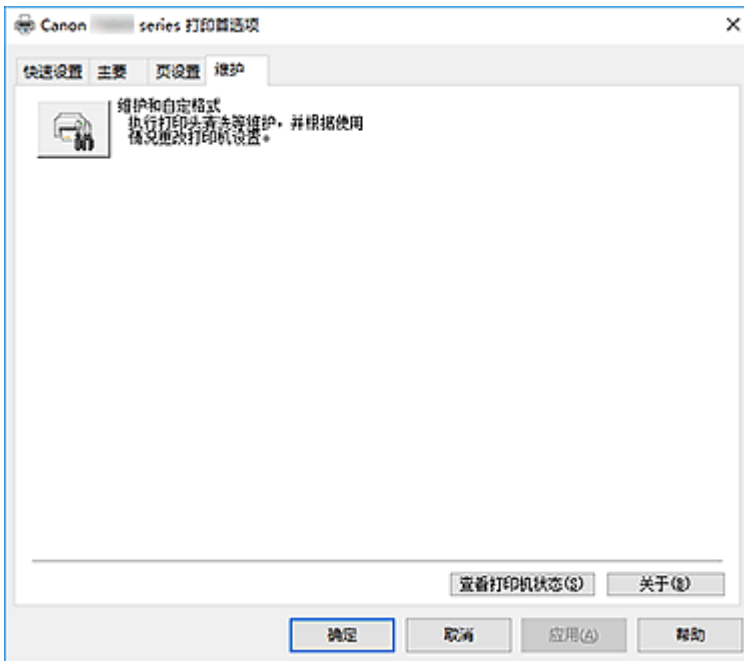
删除

删除不需要的背景。

从**背景**列表中指定不需要的背景的标题，然后单击该按钮。

维护选项卡描述

使用**维护**选项卡可以启动 Canon IJ Printer Assistant Tool 或查看打印机状态。



维护和自定格式

启动 Canon IJ Printer Assistant Tool。
可以执行打印机维护或更改打印机设置。

查看打印历史记录

该功能可启动 Canon IJ XPS 预览并显示打印历史记录。

►► 注释

- 该功能仅适用于 XPS 打印机驱动程序。

查看打印机状态

启动 Canon IJ 状态监视器。
当想要查看打印机状态以及打印作业如何进行时, 请执行该功能。

►► 注释

- 如果正在使用 XPS 打印机驱动程序, “Canon IJ 状态监视器” 将变为 “Canon IJ XPS 状态监视器”。

关于

打开[关于对话框](#)。
可以查看打印机驱动程序的版本以及版权通知。
此外, 可切换要使用的语言。

关于对话框

单击关于时, 会显示关于对话框。
该对话框显示打印机驱动程序的版本、版权以及模块列表。 可以选择要使用的语言并切换在设置窗口中显示的语言。

模块

列出打印机驱动程序模块。

语言

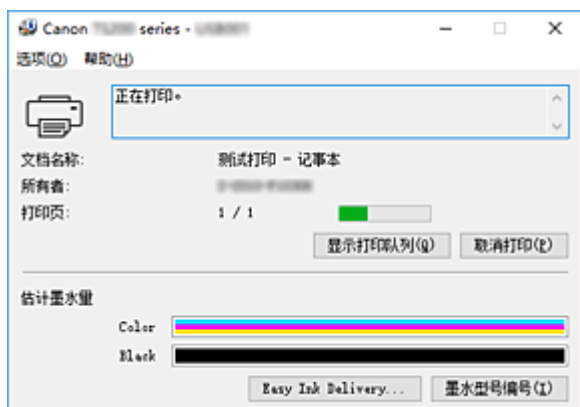
指定想要在[打印机驱动程序设置窗口](#)中使用的语言。

重要事项

- 如果系统中没有安装显示所选语言的字体，则字符将显示为乱码。

Canon IJ 状态监视器描述

Canon IJ 状态监视器显示打印机状态以及打印进程。通过状态监视器中的图像、图标和信息显示打印机状态。



Canon IJ 状态监视器的功能

Canon IJ 状态监视器具有以下功能：

在屏幕上显示打印机状态

状态监视器实时显示打印机状态。
可以检查每个要打印的文档(打印作业)的进程。

显示错误内容和纠正步骤

状态监视器会显示打印机上发生的所有错误信息。
然后可以立即检查要执行何种措施。

墨水状态显示

状态监视器会显示 FINE 墨盒的类型和估计墨水量。
剩余墨水量不足时，会显示警告图标和信息(缺墨警告)。

Canon IJ 状态监视器概述

Canon IJ 状态监视器使用图像和信息显示打印机状态和墨水状态。

打印过程中，可以查看正在打印文档和打印进程的信息。

如果发生错误，状态监视器会显示错误内容和如何纠正错误的说明。按照信息进行操作。

打印机

当打印机出现警告或错误时，Canon IJ 状态监视器会显示相应图标。



：有警告。



：有人为操作错误。



：有除警告或错误以外的通知。



：已出现需要维修的错误。

FINE 墨盒

如果出现缺墨警告或空墨盒错误，状态监视器会显示图标。状态监视器也使用图像来显示 FINE 墨盒的估计墨水量。

将光标移动到图像上以查看详细信息，如打印机可以使用的剩余墨水量和 FINE 墨盒的名称。
对颜色进行校准以匹配剩余墨水量最小的颜色，然后会以相同级别显示所有颜色。

文档名称

正在打印的文档的名称。

所有者

正在打印的文档的所有者名称。

打印页

当前页面的页码和总页数。

显示打印队列

控制当前文档和等待打印文档的打印队列。

取消打印

取消打印。

估计墨水量

显示图标以报告剩余墨水量警告和墨水消耗错误。

FINE 墨盒的估计墨水量也以图形方式显示出来。

墨水型号编号

可以为打印机查找正确的 FINE 墨盒。

选项菜单

如果显示打印机信息，请选择**启动状态监视器**以启动 Canon IJ 状态监视器。

选择**启动状态监视器**以使用以下命令：

始终显示当前任务

只要有文档正在打印，则会显示 Canon IJ 状态监视器。

始终显示在最前部

将 Canon IJ 状态监视器显示在其他窗口前面。

显示指南信息

显示复杂的纸张设置操作相关指南信息。

Hagaki 打印

在打印机开始 Hagaki 打印之前显示指南信息。

要隐藏该指南信息，请选择**不要再次显示该信息**复选框。

要再次显示此指南信息，打开**选项菜单**，选择**显示指南信息**并单击 **Hagaki 打印**，然后启用此设置。

自动显示警告

当出现“缺墨警告”时

出现缺墨警告时，自动启动 Canon IJ 状态监视器窗口，并将其显示在其他窗口前面。

Windows 启动时开始

Windows 启动时会自动启动 Canon IJ 状态监视器。

帮助菜单

选择此菜单可显示包括版本和版权信息在内的 Canon IJ 状态监视器的帮助信息。

安装打印机驱动程序

可以通过互联网访问我们的网站，并为您的机型下载最新的打印机驱动程序和 XPS 打印机驱动程序。

1. 关闭打印机

2. 启动安装程序

双击下载文件的图标。

安装程序开始。

重要事项

- 启动、安装或卸载软件时，可能会出现确认/警告对话框。
当需要管理权限以执行任务时，会出现该对话框。
当您以计算机管理员帐户登录时，单击**是**(或**继续**、**允许**)以继续。
有些应用程序需要计算机管理员帐户才能继续。在这种情况下，请切换到管理员帐户，然后重新开始操作。

3. 安装打印机驱动程序

请按照屏幕上的说明采取适当的操作。

注释

- 要在网络上使用该打印机，必须从客户端手动选择连接目标。
要手动选择连接目标，在**连接电缆线**窗口单击**取消**。出现确认信息时，单击**是**。
在**安装未完成**窗口中，选择**选择打印机端口**复选框，单击**手动选择**，然后选择适当的端口。

4. 完成安装

单击**完成**。

根据使用的环境，可能会出现提示您重新启动计算机的信息。要正确完成安装，请重新启动计算机。

重要事项

- 可以使用与安装打印机驱动程序相同的步骤安装 XPS 打印机驱动程序。但是，安装 XPS 打印机驱动程序时，请首先完成打印机驱动程序的安装。
- 打印机驱动程序和 XPS 打印机驱动程序可以免费下载，但是您必须自己支付网络连接的费用。
- 在安装最新的打印机驱动程序之前，请删除以前安装的版本。

相关主题

- 获取最新的打印机驱动程序
- 删除不需要的打印机驱动程序
- 安装打印机驱动程序之前

使用 Canon 应用程序软件打印

- ▶ My Image Garden 指南
- ▶ Quick Menu 指南

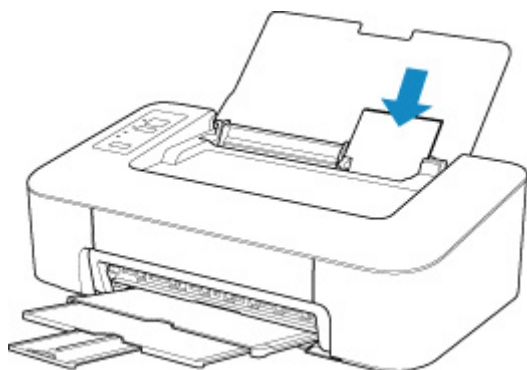
纸张设置

当装入后端托盘的纸张与打印设置不同时，通过注册装入的纸张尺寸，使得在打印开始前**警告**指示灯和**纸张**指示灯闪烁，从而防止打印机误打印。

介质类型设置取决于打印机中注册的纸张尺寸。

纸张尺寸	介质类型
A4、LTR	普通纸
KG、10x15 厘米/4"x6"	照片纸

要注册装入在打印机后端托盘中的纸张的尺寸：



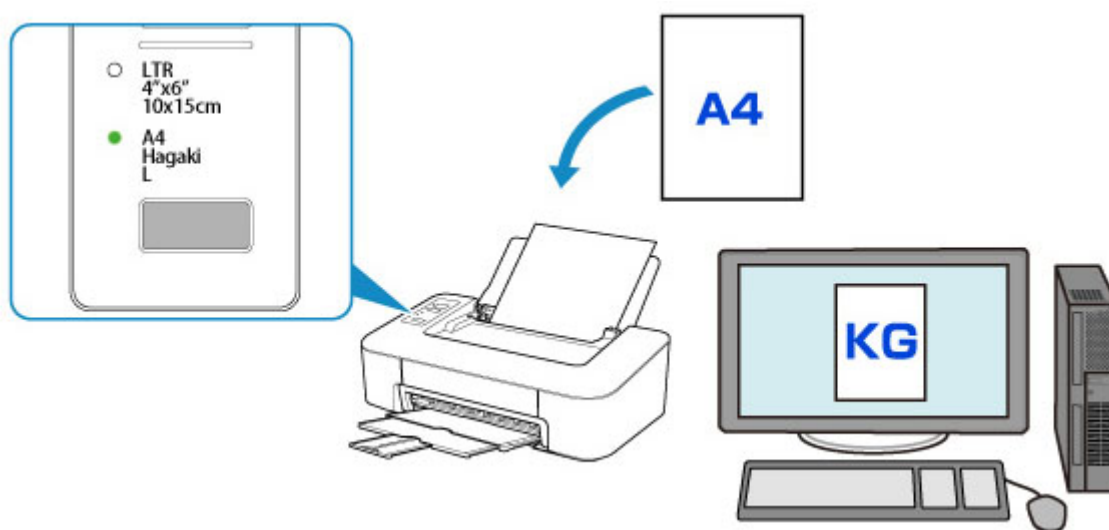
在后端托盘中装入纸张后，其中一个**纸张**指示灯会根据最后装入的纸张尺寸亮起。

如果后端托盘中装入的纸张尺寸与**纸张**指示灯所示不同，请按**纸张选择**按钮更改选择。

用于打印的纸张尺寸设置与在打印机中注册的纸张尺寸不同时：

例如：

- 用于打印的纸张尺寸设置：KG
- 打印机中注册的纸张尺寸：A4



开始打印时，**警告**指示灯和表示打印所用纸张尺寸设置的**纸张**指示灯同时闪烁。

选择以下任一操作。

- 在装入后端托盘的纸张上打印

在装入的纸张上打印而不更改打印所用的纸张尺寸设置。按**恢复**按钮。

例如，用于打印的纸张尺寸设置为 KG，而打印机中注册的纸张尺寸为 A4 时，打印机将在后端托盘中装入的纸张上开始打印，而不更改打印所用的纸张尺寸设置。

- 更换纸张后打印

更换装入后端托盘的纸张后进行打印。

例如，用于打印的纸张尺寸设置为 KG，而在打印机中注册的纸张尺寸为 A4 时，在开始打印前装入 KG 尺寸纸张。

更换纸张后，将后端托盘中装入纸张的尺寸注册到打印机。

- 取消打印

按**电源/停止**按钮可以取消打印和更改用于打印的纸张尺寸设置。请再次尝试打印。

使防止误打印的警告指示灯闪烁的默认设置

- 从 **Windows** 打印时：

默认情况下，禁用可防止误打印的**警告**指示灯闪烁功能。

要更改设置：

- [更改打印机操作模式](#)

- 从 **macOS** 打印时：

默认情况下，启用可防止误打印的**警告**指示灯闪烁功能。

要更改设置：

- [更改打印机操作模式](#)

重要事项

- 禁用可防止误打印的**警告**指示灯闪烁功能时：

即使用于打印的纸张尺寸设置与在打印机中注册的纸张尺寸不同，打印机也会开始打印。

常见问题



打印

- [打印不开始](#)
- [纸张空白/打印模糊不清/颜色错误/出现白色条纹](#)
- [打印结果不理想](#)
- [与错误对应的支持代码列表\(卡纸\)](#)



安装

- [无法安装打印机驱动程序\(Windows\)](#)



错误

- [发生错误](#)
- [出现信息\(支持代码\)](#)

问题示例

打印机不工作

- [打印机未开启](#)
- [电源自动关闭](#)
- [USB 连接问题](#)
- [无法通过 USB 与打印机通讯](#)
- [打印不开始](#)
- [打印中止](#)
- [无法使用 AirPrint 打印](#)
- [墨水未喷出](#)
- [与错误对应的支持代码列表\(卡纸\)](#)
- [纸张没有正确送入/“无纸”错误](#)
- [打印结果不理想](#)

无法正确设置(安装)

- [无法安装打印机驱动程序\(Windows\)](#)
- [Easy-WebPrint EX 未启动或未显示 Easy-WebPrint EX 菜单\(Windows\)](#)

出现错误或信息

- [发生错误](#)
- [出现信息\(支持代码\)](#)
- [与错误对应的支持代码列表](#)

操作的问题

- [打印问题](#)
- [机械问题](#)

- ■ [安装和下载问题](#)
- ■ [错误和信息](#)
- ■ [如果无法解决问题](#)

打印问题

- ▶ 打印不开始
- ▶ 墨水未喷出
- ▶ 纸张没有正确送入/“无纸”错误
- ▶ 打印结果不理想



打印不开始



检查 1 确保打印机已开启。

否则，请确保打印机插头已稳固地插入，然后按**电源/停止**按钮开启打印机。

打印机正在初始化时，**电源**指示灯会闪烁。请等待至**电源**指示灯停止闪烁并持续亮起。

►► 注释

- 如果正在打印大量数据(如照片或其他图形)，可能需要更长的时间才能开始打印。计算机正在处理数据并将其发送到打印机时，**电源**指示灯会闪烁。请等待至打印开始。

检查 2 确保 USB 电缆线已稳固地插入打印机和计算机中。

USB 电缆线插头已稳固地插入时，请检查以下内容：

- 如果正在使用继电器设备(如 USB 集线器)，请断开连接，将打印机直接连接到计算机，并重试打印。如果打印正常开始，则继电器设备有问题。请与继电器设备厂商联系。
- 也可能是 USB 电缆线有问题。更换 USB 电缆线并重试打印。

检查 3 确保纸张设置与后端托盘的设置信息匹配。

如果**警告**指示灯和**纸张**指示灯同时闪烁，则纸张设置和纸张尺寸与后端托盘的设置信息不匹配。

按**电源/停止**按钮停止打印并检查设置。

■ 发生错误

检查 4 如果从计算机打印，请删除打印列队中已停止的打印作业。

- 对于 Windows：
 - 删除不需要的打印作业
- 对于 macOS：
 - 删除不需要的打印作业

检查 5 打印时是否已选择打印机的打印机驱动程序？

如果正在使用的是其他打印机的打印机驱动程序，则打印机将无法正确打印。

- 对于 Windows：

确保在打印对话框中选择了“Canon XXX series”（“XXX”表示打印机的名称）。

►► 注释

- 要将打印机作为默认选择的打印机，请选择**设置为默认打印机**。

- 对于 macOS：

确保在打印对话框的**打印机**中选择了所用打印机的名称。

»» 注释

- 要将打印机作为默认选择的打印机，请将打印机选择为**默认打印机**。

检查 6 打印数据是否过大? (Windows)

如果打印数据较大，图像数据的一部分可能会被裁切并可能出现打印失败。

单击打印机驱动程序**页设置**选项卡上的**打印选项**。然后，在显示的对话框中将**防止打印数据丢失**设置为**开**。

»» 重要事项

- **防止打印数据丢失**选择为**开**时，打印质量可能会降低。

检查 7 如果从计算机打印，请重新启动计算机。

重新启动计算机，然后重试打印。



墨水未喷出



检查 1 查看估计墨水量。

- 对于 Windows:
 - [从计算机检查墨水状态\(Windows\)](#)
- 对于 macOS:
 - [从计算机检查墨水状态\(macOS\)](#)

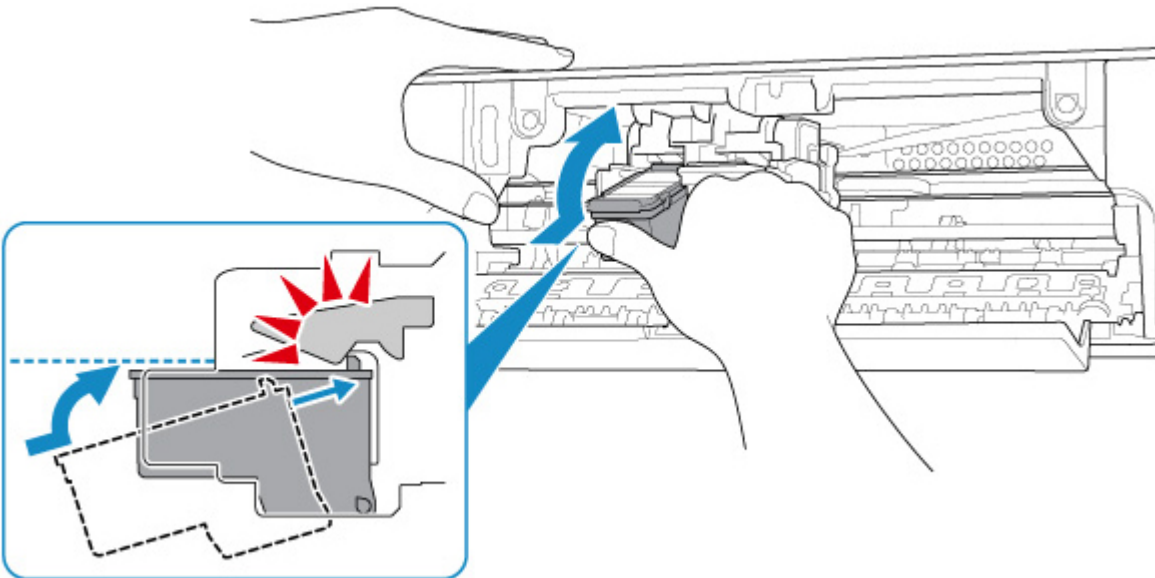
请使用新 FINE 墨盒更换空的墨盒。

检查 2 FINE 墨盒是否安装正确？

如果 FINE 墨盒未牢固地安装，则墨水可能不会正确地喷出。

收回出纸托盘扩展架和出纸托盘，打开机盖，然后取出 FINE 墨盒。

然后重新安装 FINE 墨盒。向上推 FINE 墨盒，直至其锁定到位。



确认 FINE 墨盒已正确安装后，关闭机盖。

检查 3 打印头喷嘴是否堵塞？

打印喷嘴检查图案以确定打印头喷嘴是否正常喷出墨水。

有关打印喷嘴检查图案、打印头清洗和打印头深度清洗的详细资料，请参见[如果打印变得暗淡或不均匀](#)。

- 如果喷嘴检查图案打印不正确：
 - 执行打印头清洗后，打印并检查喷嘴检查图案。
- 如果执行两次打印头清洗后问题仍未解决：

执行打印头深度清洗。

如果执行打印头深度清洗后问题仍未解决，请关闭打印机并在 24 小时后再次执行打印头深度清洗。

- 如果执行两次打印头深度清洗后问题仍未解决：

墨水可能已用完。更换 FINE 墨盒。



纸张没有正确送入/“无纸”错误



检查 1 确保已装入纸张。

■ [装入纸张](#)

检查 2 装入纸张时，请注意以下事项。

- 装入两张或更多纸张时，装入纸张前请首先将纸张的边缘对齐。
- 装入两页或更多纸张时，请确保纸叠不超过纸张装入限量。

但是，根据纸张的类型或环境状况(很高或很低的温度或湿度)，纸张可能无法以此最大容量正确送入。在这种情况下，请将一次装入的纸张数减少到纸张装入限量的一半以下。

- 无论打印方向如何，请务必纵向装入纸张。
- 装入纸张时，将纸张打印面向上装入。将纸叠靠后端托盘的右侧对齐，并移动纸张导片，使其恰好接触纸叠的左边缘。

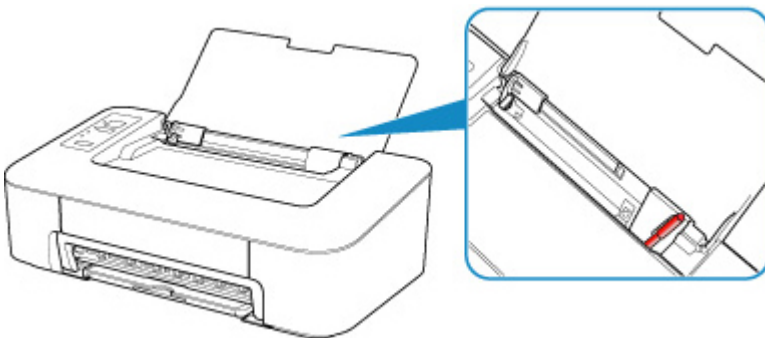
■ [装入纸张](#)

检查 3 纸张是否过厚或卷曲？

■ [不支持的介质类型](#)

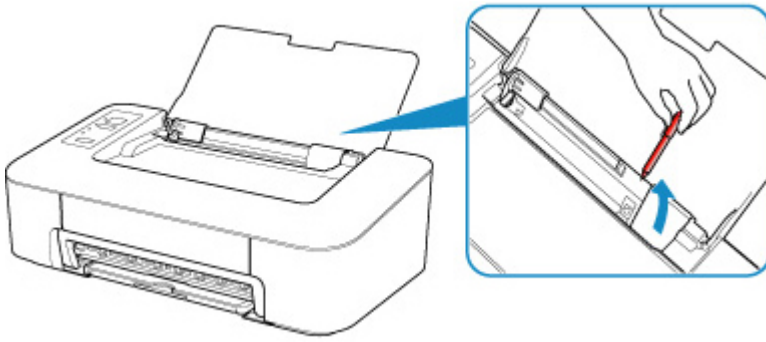
检查 4 确保介质类型和纸张尺寸设置与已装入的纸张一致。

检查 5 确保后端托盘中没有任何异物。



如果纸张在后端托盘中撕裂，请参见[与错误对应的支持代码列表\(卡纸\)](#)以将其取出。

如果后端托盘中有任何异物，请务必关闭打印机，从电源插座拔出打印机插头，然后取出异物。



检查 6 清洁进纸滚轴。

■ **清洁进纸滚轴**

如果以上措施未能解决问题，请与最近的 Canon 服务中心联系以要求维修。



打印结果不理想



如果由于白色条纹、线条偏移或颜色不均匀而造成打印结果不理想，请首先确认纸张和打印质量设置。

检查 1 页尺寸和介质类型设置是否与已装入纸张的尺寸和类型一致？

如果这些设置不匹配，则无法获得理想的结果。

如果打印照片或插图，不正确的纸张类型设置可能会降低打印输出色彩的质量。

同样，如果使用错误的纸张类型设置打印，则打印面可能出现划痕。

如果使用无边距打印，根据不同的纸张类型设置和所装入纸张的组合，可能出现颜色不均匀。

根据打印机的用途，检查纸张和打印质量设置的方法有所不同。

对于 Windows，可以使用打印机驱动程序检查介质类型设置。

■ [基本打印设置](#)

检查 2 确保在计算机上选择了适当的打印质量。

选择适用于纸张和打印内容的打印质量。如果发现模糊不清或颜色不均匀，请提高打印质量设置并重试打印。

对于 Windows，可以使用打印机驱动程序检查打印质量设置。

■ [更改打印质量及修正图像数据](#)

检查 3 如果问题未解决，请检查是否存在其他原因。

另请参见以下章节：

- [纸张空白/打印模糊不清/颜色错误/出现白色条纹](#)
- [颜色不清晰](#)
- [线条未对齐](#)
- [纸张出现污迹/打印面有划痕](#)
- [无法完成打印](#)
- [线条不完整或缺失\(Windows\)](#)
- [图像不完整或缺失\(Windows\)](#)
- [墨水渍/纸张卷曲](#)
- [纸张背面出现污迹](#)
- [颜色不均匀或有条纹](#)

如果打印纸张已变色

如果打印纸张存放的时间较长，可能会随时间而褪色。

打印之后，彻底晾干纸张、避免高温、高湿和阳光直射，并存放或陈列在温度和湿度都适当的室内。

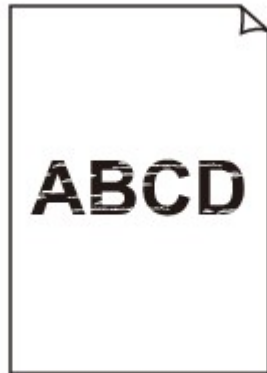
为避免直接暴露在空气中，建议将纸张存放在影集、塑料文件夹或相框等内。



纸张空白/打印模糊不清/颜色错误/出现白色条纹



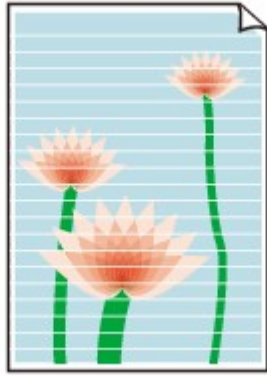
打印模糊不清



颜色错误



出现白色条纹



A

检查 1 检查纸张和打印质量设置。

■ [打印结果不理想](#)

检查 2 打印头喷嘴是否堵塞？

打印喷嘴检查图案以确定打印头喷嘴是否正常喷出墨水。

有关打印喷嘴检查图案、打印头清洗和打印头深度清洗的详细资料，请参见[如果打印变得暗淡或不均匀](#)。

- 如果喷嘴检查图案打印不正确：
执行打印头清洗后，打印并检查喷嘴检查图案。
- 如果执行两次打印头清洗后问题仍未解决：
执行打印头深度清洗。
如果执行打印头深度清洗后问题仍未解决，请关闭打印机并在 24 小时后再次执行打印头深度清洗。
- 如果执行两次打印头深度清洗后问题仍未解决：
墨水可能已用完。更换 FINE 墨盒。

检查 3 确保墨水充足。

- 对于 Windows：
■ [从计算机检查墨水状态\(Windows\)](#)
- 对于 macOS：
■ [从计算机检查墨水状态\(macOS\)](#)

FINE 墨盒中的墨水用完时，请更换新的墨盒。

检查 4 使用仅一面可打印的纸张时，确保将纸张可打印面向上装入。

在这种纸张错误的一面打印可能会造成打印不清晰或打印质量降低。

将可打印面向上装入纸张。

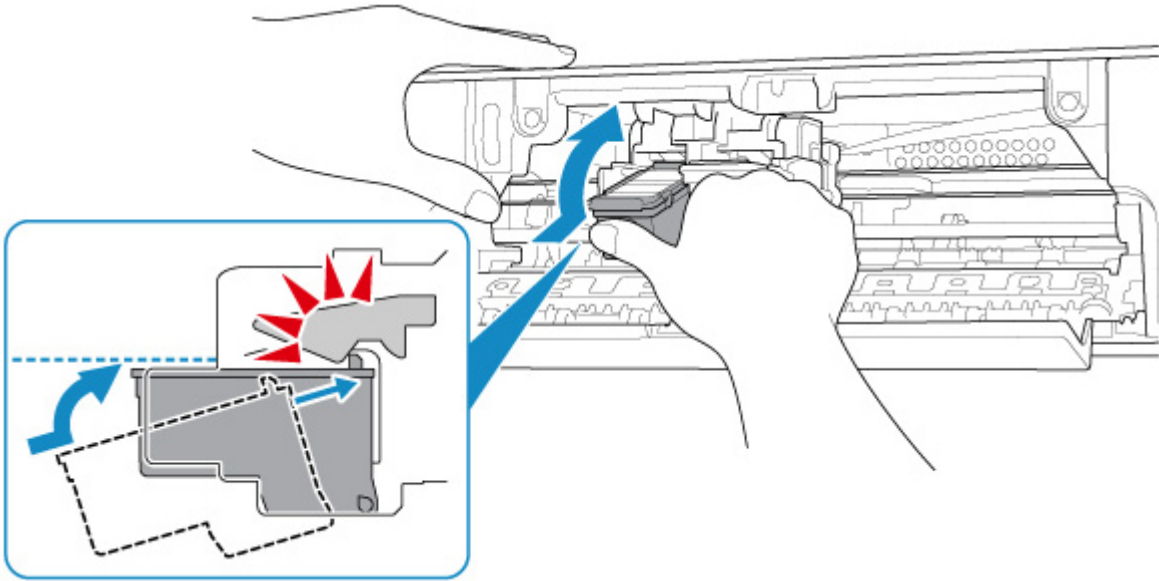
有关可打印面的详细信息，请参阅纸张附带的说明手册。

检查 5 FINE 墨盒是否安装正确？

如果 FINE 墨盒未牢固地安装，则墨水可能不会正确地喷出。

收回出纸托盘扩展架和出纸托盘，打开机盖，然后取出 FINE 墨盒。

然后重新安装 FINE 墨盒。向上推 FINE 墨盒，直至其锁定到位。



确认 FINE 墨盒已正确安装后，关闭机盖。



颜色不清晰



检查 1 打印头喷嘴是否堵塞？

打印喷嘴检查图案以确定打印头喷嘴是否正常喷出墨水。

有关打印喷嘴检查图案、打印头清洗和打印头深度清洗的详细资料，请参见[如果打印变得暗淡或不均匀](#)。

- 如果喷嘴检查图案打印不正确：
执行打印头清洗后，打印并检查喷嘴检查图案。
- 如果执行两次打印头清洗后问题仍未解决：
执行打印头深度清洗。
如果执行打印头深度清洗后问题仍未解决，请关闭打印机并在 24 小时后再次执行打印头深度清洗。
- 如果执行两次打印头深度清洗后问题仍未解决：
墨水可能已用完。更换 FINE 墨盒。

检查 2 确保墨水充足。

- 对于 Windows：
 - [从计算机检查墨水状态\(Windows\)](#)
- 对于 macOS：
 - [从计算机检查墨水状态\(macOS\)](#)

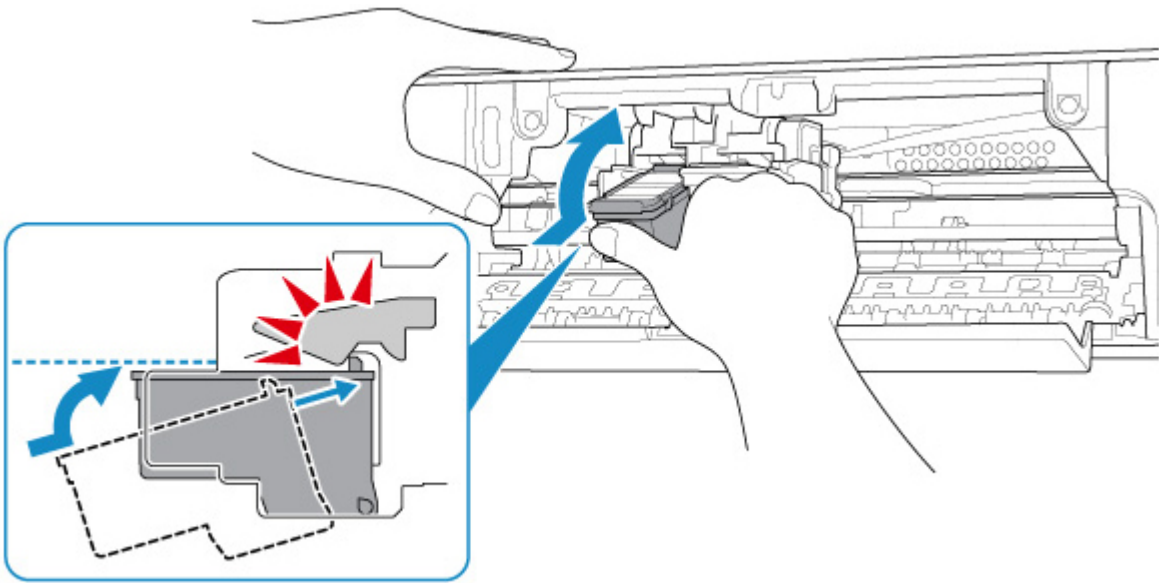
FINE 墨盒中的墨水用完时，请更换新的墨盒。

检查 3 FINE 墨盒是否安装正确？

如果 FINE 墨盒未牢固地安装，则墨水可能不会正确地喷出。

收回出纸托盘扩展架和出纸托盘，打开机盖，然后取出 FINE 墨盒。

然后重新安装 FINE 墨盒。向上推 FINE 墨盒，直至其锁定到位。



确认 FINE 墨盒已正确安装后，关闭机盖。

注 释

- 由于生成色彩的方法存在根本性的差异，打印色彩可能与屏幕色彩不一致。色彩控制设置和环境的差别也会影响色彩在屏幕上的显示效果。因此，打印结果的颜色可能与屏幕上显示的颜色有所不同。



线条未对齐



检查 1 检查纸张和打印质量设置。

■ [打印结果不理想](#)

检查 2 执行打印头对齐。

如果打印的线条没有对齐或打印效果不理想，请调整打印头位置。

- 对于 Windows:
 - [从计算机对齐打印头位置\(Windows\)](#)
- 对于 macOS:
 - [从计算机对齐打印头位置\(macOS\)](#)

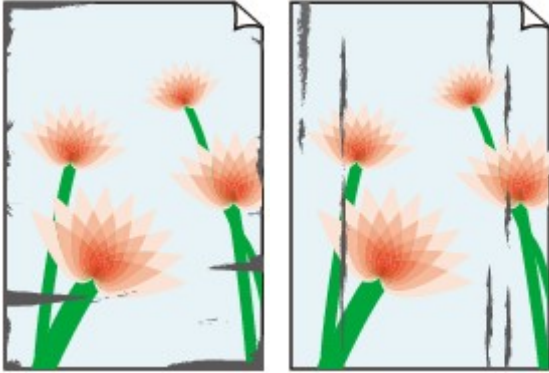
检查 3 提高打印质量并再次尝试打印。

提高打印质量可能改善打印结果。



纸张出现污迹/打印面有划痕

纸张出现污迹



边缘有污迹

表面有污迹

打印面有划痕



检查 1 检查纸张和打印质量设置。

■ [打印结果不理想](#)

检查 2 检查纸张类型。

确保正在使用正确的纸张进行打印。

■ [支持的介质类型](#)

检查 3 装入纸张前平整卷曲。

建议将未用完的纸张放回包装并将其平展放置。

- **普通纸**

翻转纸张并重新装入以在另一面上打印。

将纸张装入后端托盘较长时间可能会造成纸张卷曲。在这种情况下，请将纸张的另一面向上装入。这可能会解决问题。

- **其他纸张**

如果纸张四角的卷曲高度超过 3 毫米/0.1 英寸(A)，纸张可能出现污迹或可能无法正确送入。按照以下说明平整纸张卷曲。



1. 如下图所示，向纸张卷曲的相反方向卷起纸张。

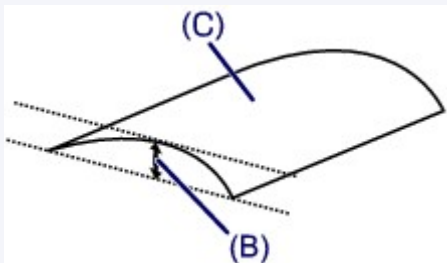


2. 确认纸张现在是否已平展。

建议每次使用一张平整后的纸张打印。

注 释

- 根据纸张类型，即使纸张未向内卷曲也可能出现污迹或无法正确送入。打印前请按照以下说明向外卷曲纸张，并且高度在 3 毫米/0.1 英寸(B)以内。这可能会改善打印效果。



(C) 打印面

建议每次送入一张向外卷曲过的纸张。

检查 4 设置打印机以防止纸张磨损。(Windows)

调整防止纸张磨损的设置时会增加打印头与纸张之间的间隙。如果介质类型已按照纸张正确设置，但仍出现磨损情况，请按照以下步骤设置打印机以防止纸张磨损。

1. 确保打印机已开启。
2. 打开打印机驱动程序设置窗口。
 - 打开打印机驱动程序设置屏幕
3. 单击**维护**选项卡，然后单击**用户定义设置**。
4. 选择**防止纸张磨损**复选框并单击**确定**。

这可能会降低打印速度。

* 完成打印后，请撤销此设置。否则，此设置将应用于后续打印作业。

检查 5 如果浓度设置较高，请降低浓度设置并再次尝试打印。(Windows)

如果正在使用高浓度设置在普通纸上打印，纸张可能会吸收过多墨水并卷曲，造成纸张磨损。

检查打印机驱动程序中的浓度设置。

- 调节浓度

检查 6 请勿在推荐的打印区域外打印。

如果在纸张的推荐打印区域外打印，则墨水可能会弄脏纸张的下边缘。

使用应用程序软件重新设置文档的尺寸。

■ 打印区域

检查 7 进纸滚轴是否脏污？

清洁进纸滚轴。

■ [清洁进纸滚轴](#)

检查 8 打印机内部是否脏污？

在双面打印过程中，墨水可能会弄脏打印机内部，使打印输出脏污。

执行底板清洁可清洁打印机内部。

■ [清洁打印机内部\(底板清洁\)](#)

▶▶▶ 注释

- 要防止打印机内部脏污，请务必设置正确的纸张尺寸。

检查 9 设置更长的墨水晾干时间。

此功能可以晾干打印面，避免出现污迹和划痕。

- 对于 Windows：

1. 确保打印机已开启。
2. 打开打印机驱动程序设置窗口。

■ [打开打印机驱动程序的安装屏幕](#)

3. 单击**维护**选项卡，然后单击**用户定义设置**。
4. 拖动**墨水晾干等待时间**滑动条以设置等待时间，然后单击**确定**。
5. 查看信息，并单击**确定**。

- 对于 macOS：

使用远程用户界面设置等待时间。

■ [更改打印机操作模式](#)



无法完成打印



检查 1 选择不压缩打印数据的设置。(Windows)

如果通过正在使用的应用程序软件选择不压缩打印数据的设置，打印结果可能会有所改善。

单击打印机驱动程序页设置选项卡上的**打印选项**。选中**不允许应用程序软件压缩打印数据**复选框，并单击**确定**。

* 打印完成后，清除该复选框。

检查 2 打印数据是否过大？(Windows)

如果打印数据较大，图像数据的一部分可能会被裁切并可能出现打印失败。

单击打印机驱动程序页设置选项卡上的**打印选项**。然后，在显示的对话框中将**防止打印数据丢失**设置为**开**。

重要事项

- **防止打印数据丢失**选择为**开**时，打印质量可能会降低。

检查 3 硬盘可能没有足够空间来存储作业。

删除不需要的文件以释放磁盘空间。



线条不完整或缺失(Windows)



检查 1 是否正在使用页面布局打印或装订边距功能？

使用页面布局打印或装订边距功能时，细线条可能无法打印。尝试加粗文档中的线条。

检查 2 打印数据是否过大？

如果打印数据较大，图像数据的一部分可能会被裁切并可能出现打印失败。

单击打印机驱动程序**页设置**选项卡上的**打印选项**。然后，在显示的对话框中将**防止打印数据丢失**设置为**开**。

重要事项

- 防止打印数据丢失选择为开时，打印质量可能会降低。



图像不完整或缺失(Windows)



检查 1 选择不压缩打印数据的设置。

如果通过正在使用的应用程序软件选择不压缩打印数据的设置，打印结果可能会有所改善。

单击打印机驱动程序**页设置**选项卡上的**打印选项**。选中**不允许应用程序软件压缩打印数据**复选框，并单击**确定**。

* 打印完成后，清除该复选框。

检查 2 打印数据是否过大？

如果打印数据较大，图像数据的一部分可能会被裁切并可能出现打印失败。

单击打印机驱动程序**页设置**选项卡上的**打印选项**。然后，在显示的对话框中将**防止打印数据丢失**设置为**开**。

重要事项

- **防止打印数据丢失**选择为**开**时，打印质量可能会降低。



墨水渍/纸张卷曲

墨水渍



纸张卷曲



检查 1 检查纸张和打印质量设置。

■ [打印结果不理想](#)

检查 2 如果浓度设置较高，请降低浓度设置并再次尝试打印。(Windows)

如果正在使用高浓度设置在普通纸上打印，纸张可能会吸收过多墨水并卷曲，造成纸张磨损。

检查打印机驱动程序中的浓度设置。

■ [调节浓度](#)

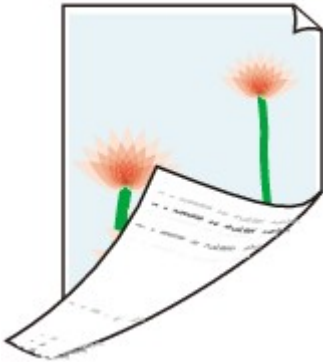
检查 3 使用照片纸打印照片。

要打印高色彩饱和度的数据(如深色照片或图像)，建议使用高级光面照片纸 II 或其他 Canon 专业纸张。

■ [支持的介质类型](#)



纸张背面出现污迹



检查 1 检查纸张和打印质量设置。

■ [打印结果不理想](#)

检查 2 执行底板清洁可清洁打印机内部。

■ [清洁打印机内部\(底板清洁\)](#)

»» 注释

- 进行无边距打印、双面打印或大量打印时，打印机内部可能会被墨水弄脏。



颜色不均匀或有条纹

颜色不均匀



颜色有条纹



检查 1 检查纸张和打印质量设置。

■ 打印结果不理想

检查 2 打印头喷嘴是否堵塞？

打印喷嘴检查图案以确定打印头喷嘴是否正常喷出墨水。

有关打印喷嘴检查图案、打印头清洗和打印头深度清洗的详细资料，请参见[如果打印变得暗淡或不均匀](#)。

- 如果喷嘴检查图案打印不正确：
执行打印头清洗后，打印并检查喷嘴检查图案。
- 如果执行两次打印头清洗后问题仍未解决：
执行打印头深度清洗。

如果执行打印头深度清洗后问题仍未解决，请关闭打印机并在 24 小时后再次执行打印头深度清洗。

- 如果执行两次打印头深度清洗后问题仍未解决：

墨水可能已用完。更换 FINE 墨盒。

检查 3 执行打印头对齐。

如果打印的线条没有对齐或打印效果不理想，请调整打印头位置。

- 对于 Windows：
 - 从计算机对齐打印头位置(Windows)
- 对于 macOS：
 - 从计算机对齐打印头位置(macOS)



打印中止



检查 1 纸张是否装入？

确保已装入纸张。

如有必要，请装入纸张。

检查 2 要打印的文档是否包含许多照片或插图？

由于打印机和计算机需要时间处理大量数据(如照片或其他图形)，因此打印机可能看似未在工作。

此外，在普通纸上连续打印需耗用大量墨水的数据时，打印机可能会暂停。不论在哪一种情况下，都需等待至处理完毕。

注 释

- 如果打印具有较大打印区域的文档或打印多份文档，打印可能会暂停以使墨水晾干。

检查 3 打印机是否已长时间连续打印？

如果打印机已连续打印了较长时间，则打印头或其周围的其他部件可能会过热。打印机可能会在换行时停止打印一段时间，然后恢复打印。

在这种情况下，请不要进行操作，等待一段时间。如果无法恢复打印，请中止打印进程，并关闭打印机至少 15 分钟。

注意

- 打印头及其周围区域会变得极为灼热。切勿接触打印头或附近的部件。



无法使用 AirPrint 打印



检查 1 确保打印机已开启。

如果打印机电源已开启，将其关闭并重新开启，然后检查问题是否已解决。

检查 2 确保打印机已注册到计算机。

检查 3 确保打印机具有足够的纸张与墨水。

检查 4 确保计算机上未显示错误信息。

机械问题

- ▶ 打印机未开启
- ▶ 电源自动关闭
- ▶ **USB 连接问题**
- ▶ 无法通过 **USB** 与打印机通讯



打印机未开启



检查 1 按**电源/停止**按钮。

检查 2 确保电源插头已稳固地连接到打印机，然后重新开启。

检查 3 拔出打印机插头，至少等待 2 分钟，然后重新插入插头并再次启动。

如果此操作未能解决问题，请与最近的 Canon 服务中心联系以要求维修。



电源自动关闭



检查 如果将打印机设置为一段时间后自动关闭，请禁用此设置。

如果将打印机设置为在指定时间后自动关闭，则该时间过后，电源将自动关闭。

从计算机禁用该设置。

- 对于 Windows:

按照以下步骤使用 Canon IJ Printer Assistant Tool 禁用该设置。

1. 打开 Canon IJ Printer Assistant Tool。

■ [维护选项卡描述](#)

2. 从下拉菜单中选择正在使用的打印机，然后选择**确定**。

出现菜单屏幕。

3. 选择**自动电源**。

4. 将**自动电源关闭**选择为**禁用**。

用于自动关闭电源的设置被禁用。

- 对于 macOS:

使用远程用户界面禁用该设置。

■ [打开远程用户界面进行维护](#)

USB 连接问题

Q 打印速度慢/Hi-Speed USB 连接不能工作/出现信息“此设备可提高性能” (Windows)

A

如果系统环境不支持 Hi-Speed USB，打印机将以 USB 1.1 的较慢速度运行。在这种情况下，打印机可正常工作，但打印速度可能会因通讯速度而降低。

检查 检查以下各项以确保系统环境支持 Hi-Speed USB 连接。

- 计算机的 USB 端口是否支持 Hi-Speed USB 连接？
- USB 电缆线或 USB 集线器是否支持 Hi-Speed USB 连接？
务必使用合格的 Hi-Speed USB 电缆线。建议使用长度不超过约 3 米/10 英尺的 USB 电缆线。
- Hi-Speed USB 驱动程序是否在计算机上正常工作？
确保最新 Hi-Speed USB 驱动程序正常工作，并在必要时为计算机获取并安装最新版本的 Hi-Speed USB 驱动程序。

重要事项

- 有关更多信息，请联系计算机、USB 电缆线或 USB 集线器制造商。



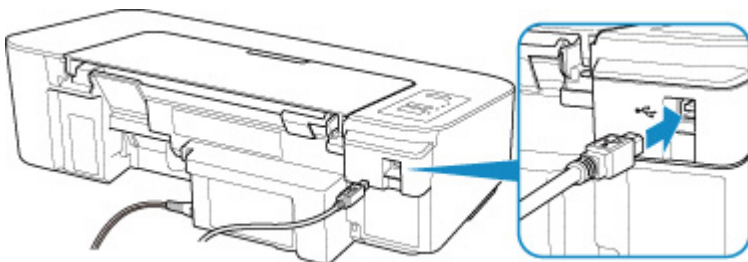
无法通过 USB 与打印机通讯



检查 1 确保打印机已开启。

检查 2 正确连接 USB 电缆线。

如下图所示，USB 端口位于打印机后部。



重要事项

- 将“B 型”端子有凹槽的一面向上连接到打印机。有关详细资料，请参阅 USB 电缆线附带的说明手册。

检查 3 请确保在打印机驱动程序属性对话框的端口选项卡中选择了启用双向支持。
(Windows)

否则，请选择该项，以启用双向支持。

- [打开打印机驱动程序的设置屏幕](#)

安装和下载问题

- ▶ [无法安装打印机驱动程序\(Windows\)](#)



无法安装打印机驱动程序(Windows)




- 如果插入安装光盘后安装未开始：

请按照以下说明开始安装。

1. 请进行以下设置。

- 在 Windows 10 环境下，单击**开始按钮** > **文件资源管理器**，然后从左侧列表中单击**这台电脑**。
- 在 Windows 8.1 中，选择**桌面上任务栏**中的 **Explorer** 图标，然后从左侧列表中选择**这台电脑**。
- 在 Windows 7 环境下，单击**开始**，然后单击**计算机**。

2. 在出现的窗口中双击  光盘图标。

如果出现了光盘的内容，双击 **MSETUP4.EXE**。

如果无法使用安装光盘安装打印机驱动程序，请从 Canon 网站进行安装。

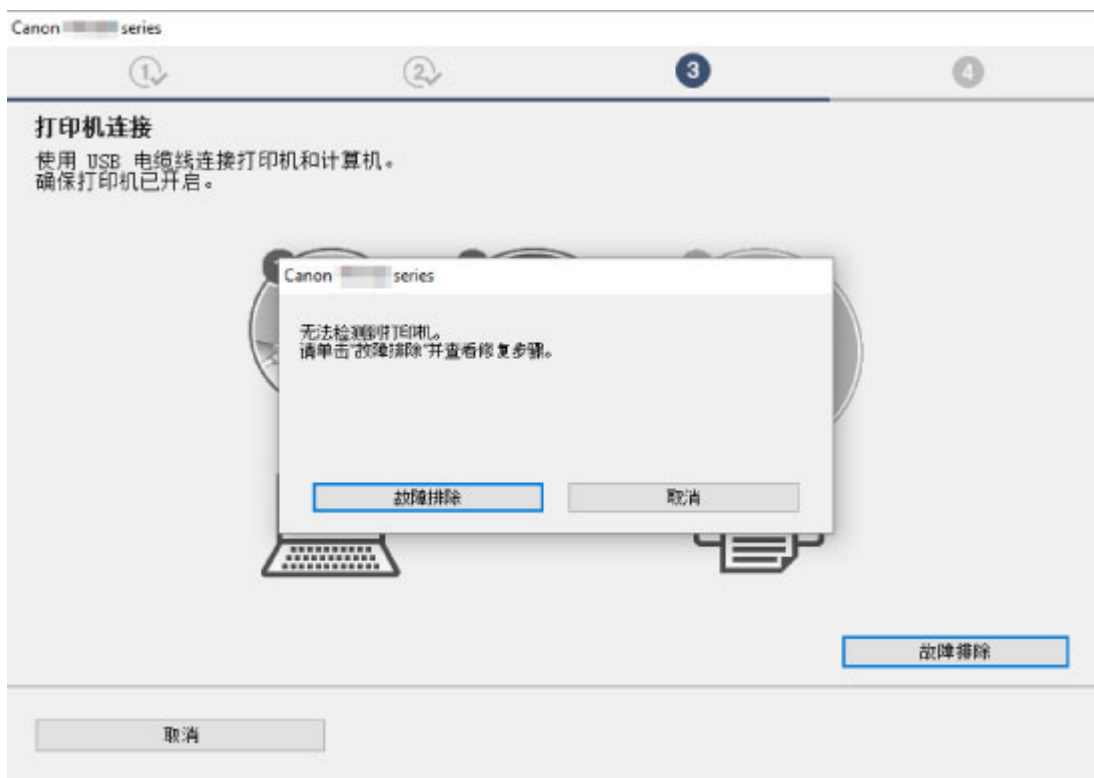
注 释

- 如果未出现光盘图标，请尝试以下操作：

- 从计算机中取出光盘，然后将其重新插入。
- 重新启动计算机。

如果仍未出现光盘图标，请试用其他光盘，然后查看是否会出现光盘图标。如果出现，则此安装光盘存在问题。请与最近的 Canon 服务中心联系以要求维修。

- 如果无法跳过打印机连接屏幕：



■在打印机连接屏幕无法继续操作

- 其他情况：

重新安装打印机驱动程序。

如果没有正确地安装打印机驱动程序，请卸载打印机驱动程序，重新启动计算机，然后重新安装打印机驱动程序。

■删除不需要的打印机驱动程序

使用安装光盘或从 Canon 网站重新安装打印机驱动程序。

▶▶▶ 注释

- 如果因 Windows 错误而导致安装程序停止，Windows 操作可能不稳定，并且可能无法安装驱动程序。请重新启动计算机，然后重新安装驱动程序。

错误和信息

- ▶ 发生错误
- ▶ 出现信息(支持代码)

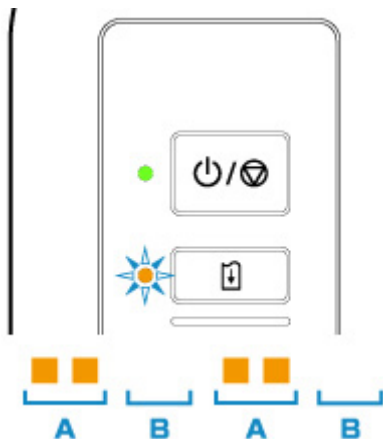
发生错误

打印机在打印过程中发生缺纸或卡纸等错误时，**警告**指示灯闪烁，或**电源**指示灯和**警告**指示灯交替闪烁。对于 Windows，计算机屏幕上会显示如下所示的支持代码(错误编号)。

检查**警告**指示灯的状态和信息，然后采取适当措施。

警告指示灯闪烁的次数所对应的支持代码

闪烁 2 次的示例：



(A) 闪烁

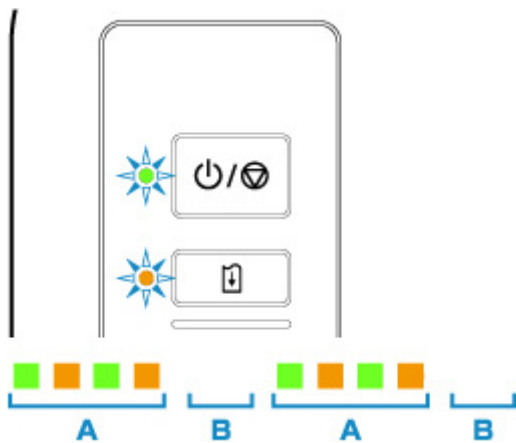
(B) 熄灭

闪烁次数	原因	支持代码
闪烁 2 次	打印机缺纸或没有送入纸张。	1000
	如果 纸张 指示灯也闪烁： 纸张设置与打印机上注册的后端托盘的纸张设置不同。	2114
闪烁 3 次	机盖已打开。	1203
	出纸托盘或后端托盘中卡纸。	1300
闪烁 4 次	未正确安装 FINE 墨盒或安装了与本打印机不兼容的 FINE 墨盒。	168A
闪烁 5 次	未安装 FINE 墨盒。	1401
	无法识别 FINE 墨盒。	1403
	FINE 墨盒出现问题。	1430
	未安装合适的墨盒。	1485
闪烁 8 次	墨水收集器将满。	1700
		1712
		1714
闪烁 9 次	FINE 墨盒固定器上可能仍有保护材料或胶带。	1890

闪烁 11 次	纸张类型和尺寸设置不正确。	4102
	使用当前打印设置无法执行打印。	4103
闪烁 12 次	无法打印指定的数据。	4100
闪烁 13 次	墨水可能已用完。	1686
闪烁 14 次	无法识别墨盒。	1684
闪烁 15 次	无法识别 FINE 墨盒。	1682
闪烁 16 次	墨水已用完。	1688

电源指示灯和警告指示灯交替闪烁次数对应的支持代码

闪烁 2 次的示例：



(A) 交替闪烁

(B) 熄灭

闪烁次数	原因	支持代码
闪烁 2 次	发生打印机错误。	5100
闪烁 3 次	发生打印机错误。	6000
闪烁 7 次	发生打印机错误。	5B00 5B12 5B14
闪烁 8 次	发生打印机错误。	5200 5205 5206
闪烁 9 次	发生打印机错误。	6800 6801
闪烁 10 次	出现了需要维修的故障。	B202

		B203 B204 B205
除上述以外的其他情况	发生打印机错误。	6500 6930 6931 6932 6933 6940 6941 6942 6943 6944 6945 6946

当支持代码和信息显示在计算机屏幕上时(Windows):



注 释

- 有关如何解决不带支持代码的错误的详细资料，请参见[出现信息\(支持代码\)](#)。

出现信息(支持代码)

本节描述可能出现的部分错误和信息。

注释

- 计算机上会显示某些错误的支持代码(错误编号)。有关带支持代码的错误的详细资料,请参见[与错误对应的支持代码列表](#)。

- [显示有关电源线被拔出的错误\(Windows\)](#)
- [写入错误/输出错误/通讯错误\(Windows\)](#)
- [其他错误信息\(Windows\)](#)
- [显示 Inkjet Printer/Scanner/Fax Extended Survey Program 屏幕\(Windows\)](#)
- [出现 Inkjet Printer/Scanner/Fax Extended Survey Program 图标\(macOS\)](#)

Q 显示有关电源线被拔出的错误(Windows)



打印机插头可能在其处于开启状态时被拔出。

检查计算机屏幕上显示的错误信息,并单击**确定**。

打印机开始打印。

请参见[拔出打印机插头](#)了解关于拔出电源线的问题。

Q 写入错误/输出错误/通讯错误 (Windows)



检查 1 如果**电源**指示灯已熄灭,请确保插入打印机插头并将其开启。

打印机正在初始化时,**电源**指示灯会闪烁。请等待至**电源**指示灯停止闪烁并持续亮起。

检查 2 确保 USB 电缆线已稳固地插入打印机和计算机中。

USB 电缆线插头已稳固地插入时,请检查以下内容:

- 如果正在使用继电器设备(如 USB 集线器),请断开连接,将打印机直接连接到计算机,并重试打印。如果打印正常开始,则继电器设备有问题。请与继电器设备厂商联系。
- 也可能是 USB 电缆线有问题。更换 USB 电缆线并重试打印。

检查 3 确保打印机驱动程序已正确安装。

按照删除不需要的打印机驱动程序中描述的步骤卸载打印机驱动程序,然后从安装光盘或 Canon 网站重新安装。

检查 4 使用 USB 电缆线将打印机连接到计算机时,从计算机检查设备状态。

请按照以下步骤检查设备状态。

1. 打开计算机的设备管理器，如下所示。

如果显示**用户帐户控制**屏幕，请按照屏幕上的说明操作。

- 在 Windows 10 环境下，右键单击**开始**按钮并选择**设备管理器**。
- 在 Windows 8.1 环境下，从桌面的**设置**超级按钮选择**控制面板 > 硬件和声音 > 设备管理器**。
- 在 Windows 7 环境下，单击**控制面板、硬件和声音、设备管理器**。

2. 双击**通用串行总线控制器**，然后双击 **USB 打印支持**。

如果没有显示 **USB 打印支持属性**屏幕，请确保打印机已正确连接到计算机。

■ **检查 2** [确保打印机已正确连接到计算机。](#)

3. 单击**常规**选项卡并检查设备问题。

如果显示设备错误，请参见 Windows 帮助以解决该错误。

其他错误信息(Windows)



检查 如果打印机状态监视器外出现错误信息，请检查以下内容：

- “**硬盘空间不足，无法成功地执行后台处理**”

删除不需要的文件以增加磁盘可用空间。

- “**内存不足，无法成功地执行后台处理**”

关闭其他应用程序以增加可用的内存。

如果仍然无法打印，请重新启动计算机并重试打印。

- “**找不到打印机驱动程序**”

按照删除不需要的打印机驱动程序中描述的步骤卸载打印机驱动程序，然后从安装光盘或 Canon 网站重新安装。

- “**无法打印应用程序名称 - 文件名称**”

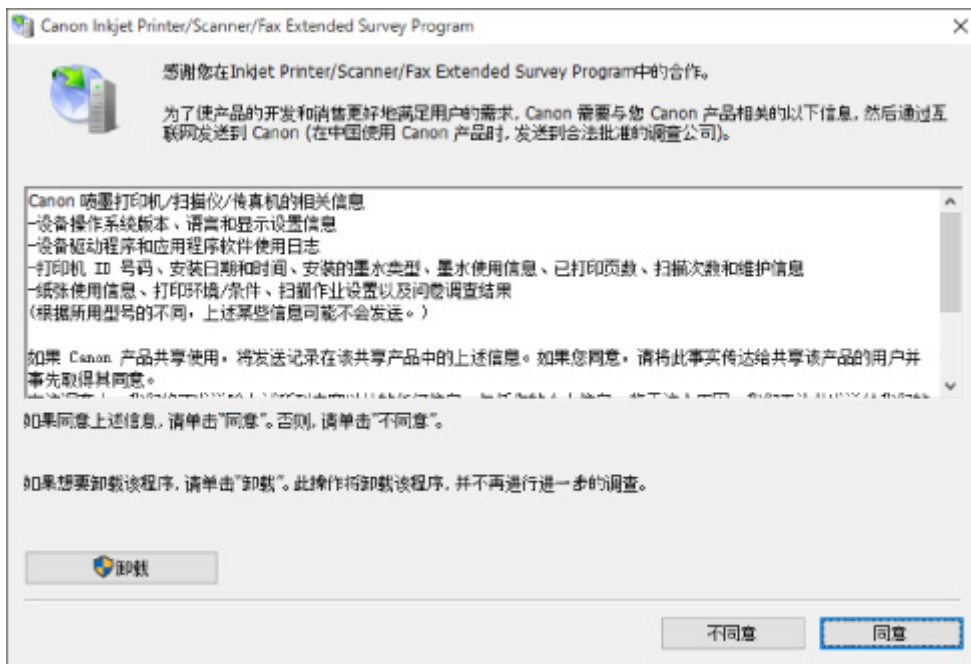
完成当前作业后，请再次试打印。

显示 Inkjet Printer/Scanner/Fax Extended Survey Program 屏幕 (Windows)



如果已安装 Inkjet Printer/Scanner/Fax Extended Survey Program，在大约十年内每隔一个月将显示请求许可发送打印机和应用程序使用信息的屏幕。

请阅读屏幕上的信息并按照以下说明操作。



• **如果同意参加调查计划:**

单击**同意**, 然后按照屏幕上的说明操作。打印机使用信息将通过互联网发送。完成该步骤后, 以后将自动发送该信息, 并且不会再次出现该确认屏幕。

▶▶▶ **注释**

- 发送信息时, 可能会出现警告(如互联网安全信息)。确保该计划名称为“IJPLMUI.exe”, 然后同意发送。
- 如果清除下一次自动发送复选框, 则从下一次起将不会自动发送信息并且下次调查时将显示确认屏幕。要自动发送信息, 请参见[更改确认屏幕设置:](#)。

• **如果不同意参加调查计划:**

单击**不同意**。确认屏幕将关闭, 同时会跳过调查。一个月后将会再次出现确认屏幕。

• **卸载 Inkjet Printer/Scanner/Fax Extended Survey Program:**

要卸载 Inkjet Printer/Scanner/Fax Extended Survey Program, 请单击**卸载**, 然后按照屏幕上的说明操作。

• **更改确认屏幕设置:**

1. 请进行以下设置。

- 在 Windows 10 环境下, 右键单击**开始**按钮并选择**程序和功能**。
- 在 Windows 8.1 环境下, 从**桌面**上的**设置**超级按钮中选择**控制面板 > 程序 > 程序和功能**。
- 在 Windows 7 环境下, 选择**开始菜单 > 控制面板 > 程序 > 程序和功能**。

▶▶▶ **注释**

- 安装、卸载或启动软件时, 可能会出现确认/警告对话框。
当需要管理权限以执行任务时, 会出现该对话框。
如果登录到具有管理员权限的帐户, 请按照屏幕上的说明进行操作。

2. 选择 **Canon Inkjet Printer/Scanner/Fax Extended Survey Program**。
3. 选择**更改**。

按照屏幕上的说明进行操作后，如果选择**是**，下次调查时将出现确认屏幕。

如果选择**否**，将自动发送信息。

►►► 注释

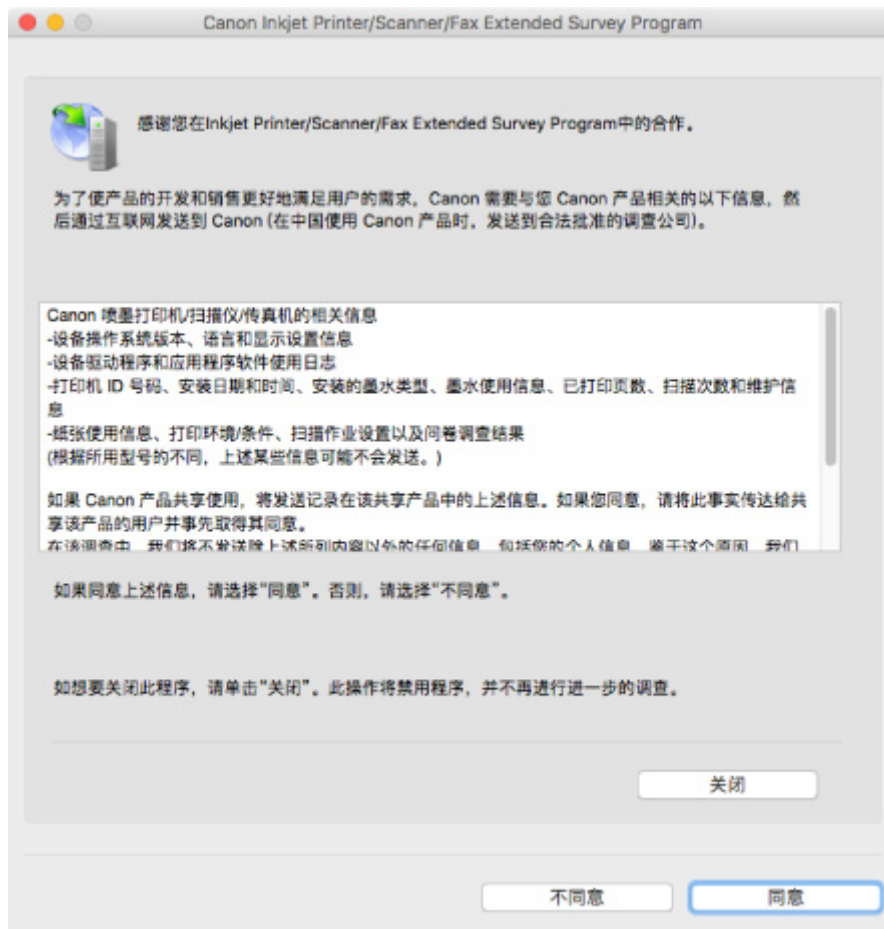
- 如果选择**卸载**，会卸载 Inkjet Printer/Scanner/Fax Extended Survey Program。请按照屏幕上的说明进行操作。

Q 出现 Inkjet Printer/Scanner/Fax Extended Survey Program 图标 (macOS)

A

如果已安装 Inkjet Printer/Scanner/Fax Extended Survey Program，在大约十年内每隔一个月将发送一次打印机和应用程序软件使用信息。到发送打印机使用信息的时间时，Dock 中将出现 **Inkjet Printer/Scanner/Fax Extended Survey Program** 图标。

单击图标，阅读出现的信息，然后按照以下说明操作。



- **如果同意参加调查计划：**

单击**同意**，然后按照屏幕上的说明操作。打印机使用信息将通过互联网发送。完成该步骤后，以后将自动发送该信息，并且不会再次出现该确认屏幕。

►►► 注释

- 如果清除下一次自动发送复选框，则从下一次起将不会自动发送信息，并且在下次调查时 **Inkjet Printer/Scanner/Fax Extended Survey Program** 图标将出现在 Dock 中。

- **如果不同意参加调查计划：**

单击**不同意**。确认屏幕将关闭，同时会跳过调查。一个月后将会再次出现确认屏幕。

- **要停止发送信息：**

单击**关闭**。这将停止 Inkjet Printer/Scanner/Fax Extended Survey Program，并且不会发送信息。要恢复调查，请参见[更改设置](#)。

- **卸载 Inkjet Printer/Scanner/Fax Extended Survey Program：**

1. 停止 Inkjet Printer/Scanner/Fax Extended Survey Program。

- **更改设置：**

2. 从 Finder 的**转到**菜单中选择**应用程序**，双击 **Canon Utilities** 文件夹，然后双击 **Inkjet Extended Survey Program** 文件夹。
3. 将 **Canon Inkjet Printer/Scanner/Fax Extended Survey Program.app** 移动至**废纸篓**。
4. 重新启动计算机。

清空**废纸篓**并重新启动计算机。

- **更改设置：**

要每次发送打印机使用信息时显示确认屏幕或要恢复调查，请按照以下步骤操作。

1. 从 Finder 的**转到**菜单中选择**应用程序**，双击 **Canon Utilities** 文件夹，然后双击 **Inkjet Extended Survey Program** 文件夹。
2. 双击 **Canon Inkjet Printer/Scanner/Fax Extended Survey Program** 图标。



- **当信息发送，不显示确认屏幕：**

如果已选择复选框，将自动发送信息。

如果没有选中复选框，下次调查时 **Inkjet Printer/Scanner/Fax Extended Survey Program** 图标将出现在 Dock 中。单击图标并按照屏幕上的说明进行操作。

- **关闭/启用按钮:**

单击**关闭**按钮以停止 Inkjet Printer/Scanner/Fax Extended Survey Program。

单击**启用**按钮以重新启动 Inkjet Printer/Scanner/Fax Extended Survey Program。

与错误对应的支持代码列表

发生错误时，计算机屏幕上会出现支持代码。

“支持代码”表示错误编号，并伴随错误信息一起出现。

发生错误时，检查显示在计算机屏幕上的支持代码并采取适当响应措施。

计算机屏幕上出现支持代码

• 1000 到 1ZZZ

[1000](#) [1200](#) [1203](#) [1300](#) [1401](#) 1403

[1430](#) [1485](#) [1682](#) 1684 [1686](#) [1688](#)

[168A](#) [1700](#) 1701 1712 1713 1714

1715 [1890](#)

• 2000 到 2ZZZ

2114 2123

• 3000 到 3ZZZ

3442 3443 3444 3445

• 4000 到 4ZZZ

4100 [4102](#) [4103](#)

• 5000 到 5ZZZ

[5100](#) [5200](#) 5205 5206 [5B00](#) 5B01

5B12 5B13 5B14 5B15

• 6000 到 6ZZZ

[6000](#) 6500 6800 6801 6930 6931

6932 6933 6940 6941 6942 6943

6944 6945 6946

• A000 到 ZZZZ

B202 B203 B204 B205

有关卡纸支持代码，另请参见[与错误对应的支持代码列表\(卡纸\)](#)。

与错误对应的支持代码列表(卡纸)

如果卡纸，请按照如下所示的适当步骤取出卡纸。

- 如果在出纸槽中或后端托盘中可以看到卡纸：
 - [1300](#)
- 如果在出纸槽中或后端托盘中无法看到卡纸：
 - [打印机内卡纸](#)
- 除上述以外的其他情况：
 - 其他情况

1300

原因

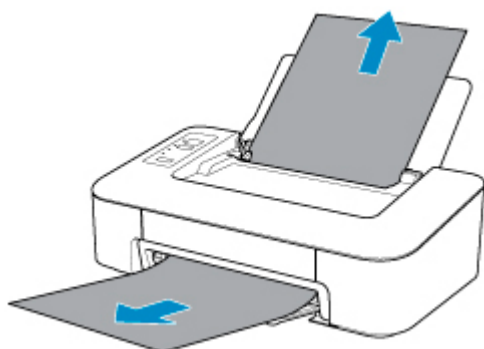
从后端托盘送入纸张时卡纸。

处理方法

如果从后端托盘中送入的纸张发生卡纸，请按照以下说明从出纸槽或后端托盘中取出卡纸。

1. 请从出纸槽或后端托盘选择较容易拉出的一端，慢慢地拉出纸张。

用双手托住纸张，然后慢慢将其拉出以免撕裂。



►► 注释

- 如果无法拉出卡纸，请重新开启打印机，无需强行拉出。纸张可能会自动输出。
- 如果在打印过程中卡纸，并且需要关闭打印机才能将其取出，请在关闭打印机前按**电源/停止**按钮停止打印。
- 如果纸张撕裂且无法从出纸槽或后端托盘中取出卡纸，则从打印机内部取出卡纸。

■ 打印机内卡纸

2. 重新装入纸张并按打印机的**恢复**按钮。

打印机恢复打印。如果正在打印的页面因为卡纸而未正确打印，请重新打印该页。

如果在步骤 1 中关闭打印机，将清除发送到打印机的打印数据。重新打印。

►► 注释

- 重新装入纸张时，请确保使用合适的纸张并将其正确装入打印机。

如果以上措施未能解决问题，请与最近的 Canon 服务中心联系以要求维修。

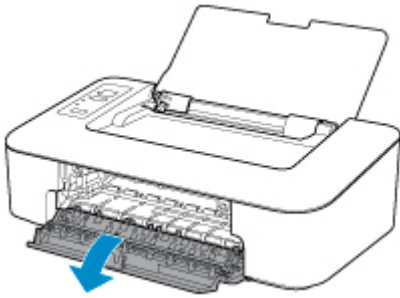
打印机内卡纸

如果卡纸撕裂且无法从出纸槽或后端托盘中取出，或者卡纸留在打印机内，请按照以下说明取出卡纸。

►► 注释

- 如果在打印过程中卡纸，并且需要关闭打印机才能将其取出，请在关闭打印机前按**电源/停止**按钮停止打印。

1. 关闭打印机并拔出插头。
2. 收回出纸托盘，并打开机盖。



►► 重要事项

- 请勿触摸透明薄膜(A)。

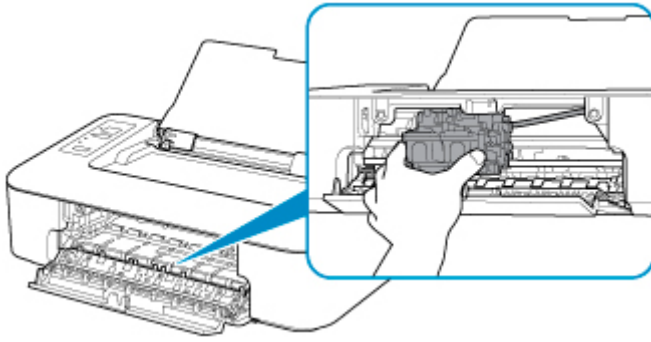


如果用纸张或手碰触到这个部件而将其弄脏或划伤，可能会损坏打印机。

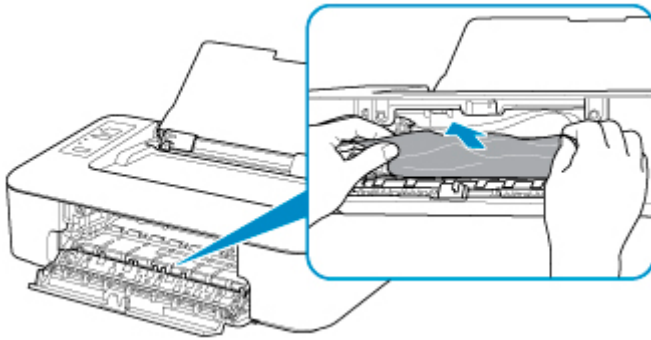
3. 检查卡纸是否在 FINE 墨盒固定器下方。

如果卡纸在 FINE 墨盒固定器下方，请将 FINE 墨盒固定器移动到右边缘或左边缘，以便更容易取出卡纸。

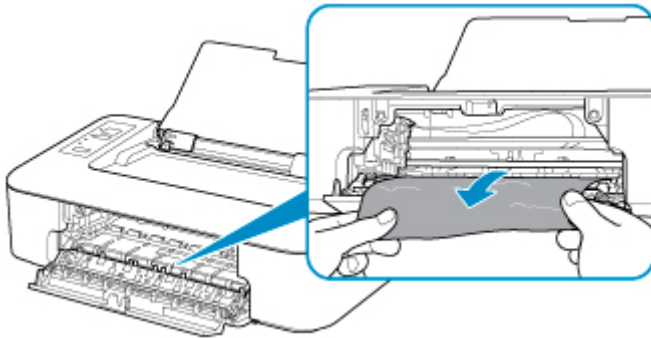
移动 FINE 墨盒固定器时，握住 FINE 墨盒固定器并慢慢地将其移动到右边缘或左边缘。



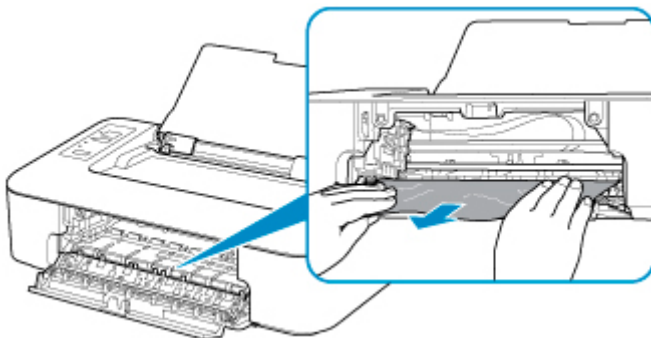
4. 用双手紧握卡纸。



如果纸张卷曲，将其拉出。



5. 慢慢拉出纸张以免其撕裂。

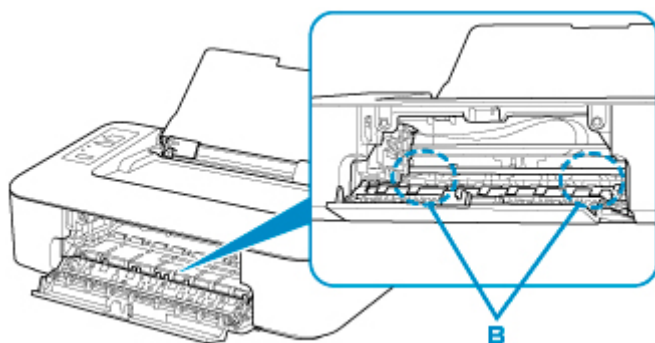


6. 确保已取出所有卡纸。

如果拉出纸张时纸张撕裂，打印机内可能残留纸张碎片。检查以下各项并取出所有残留纸张。

- FINE 墨盒固定器下方是否有纸张残留？

- 打印机内部是否有纸张碎片残留？
- 打印机内部的左侧和右侧空间(B)是否有纸张残留？



7. 关闭机盖。

打印队列中所有的作业将被取消。重新打印。

▶▶▶ 注释

- 重新装入纸张时，请确保使用合适的纸张并将其正确装入打印机。如果取出所有卡纸后恢复打印时，计算机屏幕上出现卡纸信息，打印机内可能仍残留纸张碎片。再次检查打印机是否有任何残留纸张碎片。

如果以上措施未能解决问题，请与最近的 Canon 服务中心联系以要求维修。

1000

原因

可能包括以下原因。

- 后端托盘缺纸。
- 纸张未正确装入后端托盘。

处理方法

采取以下相应解决方法。

- 请将纸张装入后端托盘中。
- 装入纸张时，将纸张导片与纸叠对齐。
- 按打印机的**纸张选择**按钮选择后端托盘中的纸张尺寸。

采取上述措施后，按打印机的**恢复**按钮。

►► 注释

- 要取消打印，按打印机的**电源/停止**按钮。

1200

原因

机盖开启。

处理方法

关闭机盖并等待一段时间。

更换 FINE 墨盒时请勿将其关闭。

1203

原因

打印时机盖开启。

处理方法

如果纸张留在打印机内，请用双手慢慢拉出纸张，然后关闭机盖。

按打印机的**恢复**按钮解决错误。

打印机会输出一张空白纸张并从下一张纸恢复打印。

打印机将不会重新打印打开机盖时所打印的页面。重试打印。

重要事项

- 请勿在打印过程中打开或关闭机盖，否则会损坏打印机。

1401

原因

未安装 FINE 墨盒。

处理方法

安装 FINE 墨盒。

如果错误未解决，FINE 墨盒可能已损坏。请与最近的 Canon 服务中心联系以要求维修。

1430

原因

无法识别 FINE 墨盒。

处理方法

取出 FINE 墨盒，然后重新安装。

如果错误未解决，FINE 墨盒可能已损坏。请更换新的 FINE 墨盒。

如果此操作仍未能解决问题，请与最近的 Canon 服务中心联系以要求维修。

1485

原因

未安装合适的墨盒。

处理方法

因为墨盒不支持本打印机，所以无法执行打印。

请安装合适的墨盒。

如果要取消打印，请按打印机的**电源/停止**按钮。

1682

原因

无法识别 FINE 墨盒。

处理方法

更换 FINE 墨盒。

如果错误未解决，FINE 墨盒可能已损坏。请与最近的 Canon 服务中心联系以要求维修。

1686

原因

墨水可能已用完。

处理方法

因为无法正确检测墨水量，剩余墨水量检测功能将被禁用。

如果希望在不使用该功能的情况下继续打印，请按打印机的**恢复**按钮至少 5 秒。

由于 Canon 产品只有搭配 Canon 原装墨盒使用才能发挥更优异的性能，因此推荐使用新的 Canon 原装墨盒。

请注意，对于因在墨水用完的情况下继续打印而导致的故障或问题，Canon 将不承担任何责任。

1688

原因

墨水已用完。

处理方法

请更换墨盒，然后关闭机盖。

如果打印正在进行并希望继续打印，请在不取出墨盒的情况下按打印机的**恢复**按钮至少 5 秒。然后可以在墨水用完的情况下继续打印。

剩余墨水量检测功能将被禁用。

打印完成后请立即更换空墨盒。如果在墨水用完的情况下继续打印，打印结果的质量不会令人满意。

168A

原因

未正确安装 FINE 墨盒或安装了与本打印机不兼容的 FINE 墨盒。

处理方法

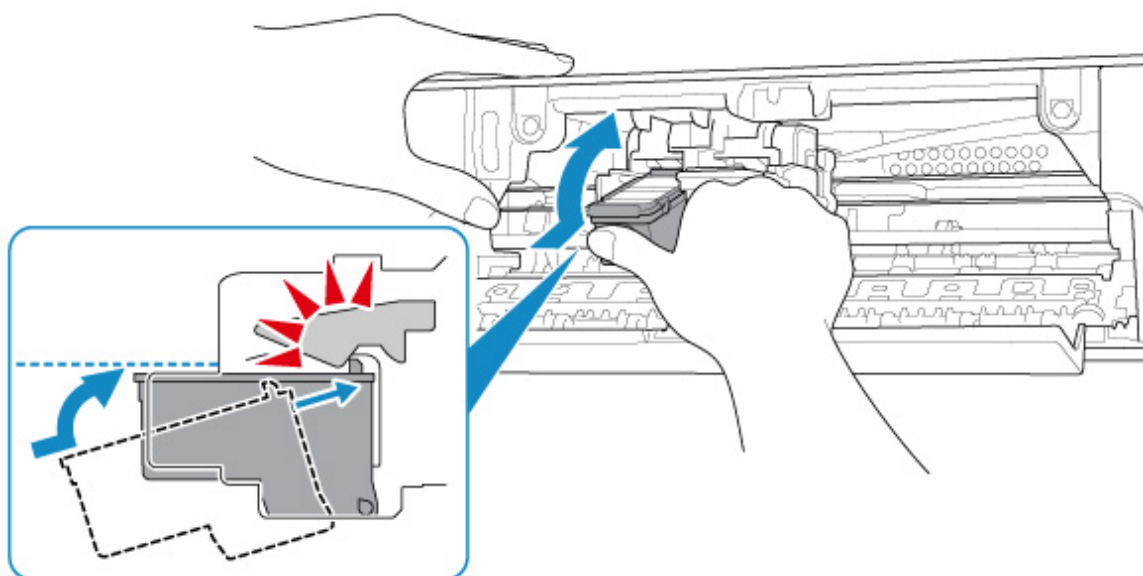
收回出纸托盘扩展架和出纸托盘，打开机盖，然后取出 FINE 墨盒。

确保已安装与打印机兼容的 FINE 墨盒。

然后重新安装 FINE 墨盒。

■ 更换 FINE 墨盒

向上推 FINE 墨盒，直至其锁定到位。



安装后，关闭机盖。

1700

原因

墨水收集器将满。

处理方法

按打印机的**恢复**按钮继续打印。请与最近的 Canon 服务中心联系以要求维修。

1890

原因

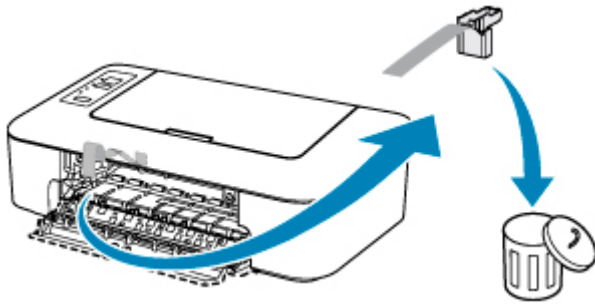
FINE 墨盒固定器上可能仍有保护材料或胶带。

处理方法

确保保护材料和胶带已从 FINE 墨盒固定器上取下。

如果保护材料或胶带尚未取下，请收回出纸托盘扩展架和出纸托盘以将其取下。

扯下胶带取出保护材料。



如果机盖打开，请将其关闭。

如果此操作未能解决问题，请与最近的 Canon 服务中心联系以要求维修。

4102

原因

未正确设置介质类型和纸张尺寸。

处理方法

按打印机的**电源/停止**按钮取消打印，更改介质类型或纸张尺寸设置，然后重试打印。

- 介质类型设置为高级光面照片纸 II 时：
将纸张尺寸设置为 10 x 15 厘米(4" x 6")。
- 介质类型设置为光面照相纸时：
将纸张尺寸设置为 10 x 15 厘米(4" x 6")。

4103

原因

使用当前打印设置无法执行打印。

处理方法

按打印机的**电源/停止**按钮取消打印。

然后，更改打印设置并重试打印。

5100

原因

发生打印机错误。

处理方法

取消打印并关闭打印机。

检查以下各项：

- 确保 FINE 墨盒固定器的移动不受稳定器、卡纸等阻碍。

移除所有障碍物。

- 确保 FINE 墨盒已正确安装。

向上推 FINE 墨盒，直至其锁定到位。

再次开启打印机。

如果此操作未能解决问题，请与最近的 Canon 服务中心联系以要求维修。

重要事项

- 清除对 FINE 墨盒固定器移动的障碍物时，请注意不要触摸透明薄膜(A)。



如果用纸张或手碰触到这个部件而将其弄脏或划伤，可能会损坏打印机。

5200

原因

发生打印机错误。

处理方法

关闭打印机并拔出插头。

一段时间后，重新插入打印机插头并再次启动。

如果此操作未能解决问题，请与最近的 Canon 服务中心联系以要求维修。

5B00

原因

发生打印机错误。

处理方法

请与最近的 Canon 服务中心联系以要求维修。

6000

原因

发生打印机错误。

处理方法

如果发生卡纸，请根据卡纸位置和原因取出纸张。

■ [与错误对应的支持代码列表\(卡纸\)](#)

关闭打印机并拔出插头。

重新插入打印机插头，然后重新开启。

如果此操作未能解决问题，请与最近的 Canon 服务中心联系以要求维修。