



**G1020 series**  
**在线手册**

中文(简体) (Chinese (Simplified))

# 目录

使用在线手册.....	7
该文档中使用的符号.....	8
已启用触摸功能的设备用户 (Windows).....	9
商标和许可协议.....	10
使用纸张、墨水盒等.....	28
装入纸张.....	29
装入普通纸/照片纸.....	30
再填充墨水盒.....	35
再填充墨水盒.....	36
检查墨水量.....	41
墨水提示.....	42
如果打印变得暗淡或不均匀.....	43
维护步骤.....	44
打印喷嘴检查图案.....	46
检查喷嘴检查图案.....	47
清洗打印头.....	48
清洁.....	49
清洁进纸滚轴.....	50
清洁打印机内部(底板清洁).....	51
更换保养墨盒.....	53
概述.....	56
安全相关.....	57
安全注意事项.....	58
法规信息.....	61
WEEE (EU&EEA).....	62
使用注意事项.....	63
打印的法律限制.....	64
打印机使用注意事项.....	65
运输打印机.....	66
修理、外借或处置打印机时.....	70
保持高打印质量.....	71

主要部件和使用方法	72
主要部件	73
前视图	74
后视图	75
内部视图	76
操作面板	77
电源供应	78
确认电源已开启	79
开启和关闭打印机	80
检查电源插头/电源线	82
拔出打印机插头	83
更改设置	84
从计算机中更改打印机设置(Windows)	85
更改打印选项	86
注册常用打印配置文件	87
设置要使用的墨水	89
管理打印机电源	90
更改打印机操作模式	92
从操作面板更改设置	93
操作面板上的设置项目	94
墨水量监控	95
初始化打印机设置	96
规格	97
纸张相关信息	99
支持的介质类型	100
纸张装入限量	102
不支持的介质类型	104
使用纸张	105
经济模式	106
打印	107
从计算机打印	108
从应用程序软件打印(Windows 打印机驱动程序)	109

基本打印设置.....	110
打印机驱动程序上的纸张设置.....	113
多种打印方法.....	115
设置页尺寸和方向.....	116
设置打印份数和打印顺序.....	117
执行无边距打印.....	119
比例打印.....	121
页面布局打印.....	123
双面打印.....	125
打印机驱动程序概述.....	127
Canon IJ 打印机驱动程序.....	128
打开打印机驱动程序的设置屏幕.....	129
Canon IJ Status Monitor.....	130
使用说明(打印机驱动程序).....	132
打印机驱动程序的说明.....	133
快速设置选项卡的说明.....	134
主要选项卡的说明.....	140
页设置选项卡的说明.....	144
维护选项卡的说明.....	155
Canon IJ Status Monitor 的说明.....	156
安装打印机驱动程序.....	158
使用 Canon 应用程序软件打印.....	159
纸张设置.....	160
常见问题.....	163
打印问题.....	165
打印机不打印.....	166
墨水没有喷出.....	168
墨水快速用完.....	171
打印机不取纸或不进纸/“无纸”错误.....	172
打印输出的结果不理想.....	175
打印输出空白/模糊不清/颜色不准确或渗出/出现条纹或线条.....	176
颜色不清晰.....	181
线条未对齐/变形.....	184
纸张出现污迹/打印面有划痕.....	185

图像旁边有垂直线条.....	189
机械问题.....	190
打印机未开启.....	191
打印机意外关闭或反复关闭.....	192
USB 连接问题.....	193
无法通过 USB 与打印机通讯.....	194
安装和下载问题.....	195
安装打印机驱动程序失败(Windows).....	196
在打印机连接屏幕后无法继续操作(找不到通过 USB 连接的打印机).....	197
错误和信息.....	199
出现错误时.....	200
出现信息(支持代码).....	204
与错误对应的支持代码列表.....	206
卡纸处理方法.....	208
1300.....	209
打印机内卡纸.....	211
1000.....	215
1070.....	217
1200.....	218
1368.....	219
1496.....	220
1640.....	221
1723.....	222
1724.....	223
1725.....	224
1726.....	225
1727.....	226
运输过程中用于固定的胶带等未取下(1890).....	227
2114.....	228
2200.....	229
4103.....	230
5100.....	231

5200..... 232  
6000..... 233

## 使用在线手册

---

- ▶ 操作环境
- ▶ 该文档中使用的符号
- ▶ 已启用触摸功能的设备用户 (Windows)
- ▶ 打印在线手册
- ▶ 商标和许可协议
- ▶ 本手册中的屏幕截图

## 该文档中使用的符号

---

### 警告

如果忽略该说明，可能会由于不正确的设备操作而导致死亡、严重人身伤害或财物损坏。为安全操作必须注意该说明。

### 注意

如果忽略该说明，可能会由于不正确的设备操作而导致人身伤害或财物损坏。为安全操作必须注意该说明。

### 重要事项

为避免财物损坏、人身伤害或不正确地使用本产品，必须注意的包含重要信息的说明。请务必阅读这些说明。

### 注释

该说明包括对于操作的说明和其他解释。

### 基础

介绍产品基本操作的说明。

### 注释

- 根据所用产品，图标可能不同。



## 已启用触摸功能的设备用户 (Windows)

---

对于触摸操作，需要使用操作系统中设置的操作替换本文档中的“右键单击”。例如，如果操作系统中设置的操作为“按住”，请将“右键单击”替换为“按住”。

## 商标和许可协议

- Microsoft 是 Microsoft Corporation 的注册商标。
- Windows 是 Microsoft Corporation 在美国和/或其他国家/地区的商标或注册商标。
- Windows Vista 是 Microsoft Corporation 在美国和/或其他国家/地区的商标或注册商标。
- Microsoft Edge 是 Microsoft Corporation 在美国和/或其他国家/地区的商标或注册商标。
- Internet Explorer 是 Microsoft Corporation 在美国和/或其他国家/地区的商标或注册商标。
- Mac、Mac OS、macOS、OS X、AirPort、App Store、AirPrint、AirPrint 徽标、Safari、Bonjour、iPad、iPad Air、iPad mini、iPadOS、iPhone 和 iPod touch 是 Apple Inc.在美国和其他国家/地区注册的商标。
- IOS 是 Cisco 在美国和其他国家/地区的商标或注册商标，在许可下使用。
- Google Cloud Print、Google Chrome、Chrome OS、Chromebook、Android、Google Drive、Google Apps 和 Google Analytics 是 Google Inc.的注册商标或商标。Google Play 和 Google Play 徽标是 Google LLC 的商标。
- Adobe、Acrobat、Flash、Photoshop、Photoshop Elements、Lightroom、Adobe RGB 和 Adobe RGB (1998)是 Adobe Systems Incorporated 在美国和其他国家/地区的注册商标或商标。
- Bluetooth 是 Bluetooth SIG, Inc., U.S.A.的商标并授权给 Canon Inc.
- Autodesk 和 AutoCAD 是 Autodesk, Inc.和/或其子公司和/或其关联公司在美国和/或其他国家/地区的注册商标或商标。
- QR 码是 DENSO WAVE INCORPORATED 在日本和其他国家/地区的注册商标。
- USB Type-C™是 USB Implementers Forum 的商标。
- The Mopria® word mark and the Mopria® Logo are registered and/or unregistered trademarks of Mopria Alliance, Inc. in the United States and other countries. Unauthorized use is strictly prohibited.

### »» 注释

- Windows Vista 的正式名称为 Microsoft Windows Vista 操作系统。

Copyright (c) 2003-2015 Apple Inc. All rights reserved.

Redistribution and use in source and binary forms, with or without modification, are permitted provided that the following conditions are met:

1. Redistributions of source code must retain the above copyright notice, this list of conditions and the following disclaimer.
2. Redistributions in binary form must reproduce the above copyright notice, this list of conditions and the following disclaimer in the documentation and/or other materials provided with the distribution.
3. Neither the name of Apple Inc. ("Apple") nor the names of its contributors may be used to endorse or promote products derived from this software without specific prior written permission.

THIS SOFTWARE IS PROVIDED BY APPLE AND ITS CONTRIBUTORS "AS IS" AND ANY EXPRESS OR IMPLIED WARRANTIES, INCLUDING, BUT NOT LIMITED TO, THE IMPLIED WARRANTIES OF MERCHANTABILITY AND FITNESS FOR A PARTICULAR PURPOSE ARE DISCLAIMED. IN NO EVENT SHALL APPLE OR ITS CONTRIBUTORS BE LIABLE FOR ANY DIRECT, INDIRECT, INCIDENTAL, SPECIAL, EXEMPLARY, OR CONSEQUENTIAL DAMAGES (INCLUDING, BUT NOT LIMITED TO, PROCUREMENT OF SUBSTITUTE GOODS OR SERVICES; LOSS OF USE, DATA, OR PROFITS; OR BUSINESS INTERRUPTION) HOWEVER CAUSED AND ON ANY THEORY OF LIABILITY, WHETHER IN CONTRACT, STRICT LIABILITY, OR TORT (INCLUDING NEGLIGENCE OR OTHERWISE) ARISING IN ANY WAY OUT OF THE USE OF THIS SOFTWARE, EVEN IF ADVISED OF THE POSSIBILITY OF SUCH DAMAGE.

Apache License

Version 2.0, January 2004

<http://www.apache.org/licenses/>

## TERMS AND CONDITIONS FOR USE, REPRODUCTION, AND DISTRIBUTION

### 1. Definitions.

"License" shall mean the terms and conditions for use, reproduction, and distribution as defined by Sections 1 through 9 of this document.

"Licensor" shall mean the copyright owner or entity authorized by the copyright owner that is granting the License.

"Legal Entity" shall mean the union of the acting entity and all other entities that control, are controlled by, or are under common control with that entity. For the purposes of this definition, "control" means (i) the power, direct or indirect, to cause the direction or management of such entity, whether by contract or otherwise, or (ii) ownership of fifty percent (50%) or more of the outstanding shares, or (iii) beneficial ownership of such entity.

"You" (or "Your") shall mean an individual or Legal Entity exercising permissions granted by this License.

"Source" form shall mean the preferred form for making modifications, including but not limited to software source code, documentation source, and configuration files.

"Object" form shall mean any form resulting from mechanical transformation or translation of a Source form, including but not limited to compiled object code, generated documentation, and conversions to other media types.

"Work" shall mean the work of authorship, whether in Source or Object form, made available under the License, as indicated by a copyright notice that is included in or attached to the work (an example is provided in the Appendix below).

"Derivative Works" shall mean any work, whether in Source or Object form, that is based on (or derived from) the Work and for which the editorial revisions, annotations, elaborations, or other modifications represent, as a whole, an original work of authorship. For the purposes of this License, Derivative Works shall not include works that remain separable from, or merely link (or bind by name) to the interfaces of, the Work and Derivative Works thereof.

"Contribution" shall mean any work of authorship, including the original version of the Work and any modifications or additions to that Work or Derivative Works thereof, that is intentionally submitted to Licensor for inclusion in the Work by the copyright owner or by an individual or Legal Entity authorized to submit on behalf of the copyright owner. For the purposes of this definition, "submitted" means any form of electronic, verbal, or written communication sent to the Licensor or its representatives, including but not limited to communication on electronic mailing lists, source code control systems, and issue tracking systems that are managed by, or on behalf of, the Licensor for the purpose of discussing and improving the Work, but excluding communication that is conspicuously marked or otherwise designated in writing by the copyright owner as "Not a Contribution."

"Contributor" shall mean Licensor and any individual or Legal Entity on behalf of whom a Contribution has been received by Licensor and subsequently incorporated within the Work.

2. Grant of Copyright License. Subject to the terms and conditions of this License, each Contributor hereby grants to You a perpetual, worldwide, non-exclusive, no-charge, royalty-free, irrevocable copyright license to reproduce, prepare Derivative Works of, publicly display, publicly perform, sublicense, and distribute the Work and such Derivative Works in Source or Object form.
3. Grant of Patent License. Subject to the terms and conditions of this License, each Contributor hereby grants to You a perpetual, worldwide, non-exclusive, no-charge, royalty-free, irrevocable (except as stated in this section) patent license to make, have made, use, offer to sell, sell, import, and otherwise transfer the Work, where such license applies only to those patent claims licensable by such Contributor that are necessarily infringed by their Contribution(s) alone or by combination of their Contribution(s) with the Work to which such Contribution(s) was submitted. If You institute patent litigation against any entity (including a cross-claim or counterclaim in a lawsuit) alleging that the Work or a Contribution incorporated within the Work constitutes direct or contributory patent infringement, then any patent licenses granted to You under this License for that Work shall terminate as of the date such litigation is filed.
4. Redistribution. You may reproduce and distribute copies of the Work or Derivative Works thereof in any medium, with or without modifications, and in Source or Object form, provided that You meet the following conditions:

1. You must give any other recipients of the Work or Derivative Works a copy of this License; and
2. You must cause any modified files to carry prominent notices stating that You changed the files; and
3. You must retain, in the Source form of any Derivative Works that You distribute, all copyright, patent, trademark, and attribution notices from the Source form of the Work, excluding those notices that do not pertain to any part of the Derivative Works; and
4. If the Work includes a "NOTICE" text file as part of its distribution, then any Derivative Works that You distribute must include a readable copy of the attribution notices contained within such NOTICE file, excluding those notices that do not pertain to any part of the Derivative Works, in at least one of the following places: within a NOTICE text file distributed as part of the Derivative Works; within the Source form or documentation, if provided along with the Derivative Works; or, within a display generated by the Derivative Works, if and wherever such third-party notices normally appear. The contents of the NOTICE file are for informational purposes only and do not modify the License. You may add Your own attribution notices within Derivative Works that You distribute, alongside or as an addendum to the NOTICE text from the Work, provided that such additional attribution notices cannot be construed as modifying the License.

You may add Your own copyright statement to Your modifications and may provide additional or different license terms and conditions for use, reproduction, or distribution of Your modifications, or for any such Derivative Works as a whole, provided Your use, reproduction, and distribution of the Work otherwise complies with the conditions stated in this License.

5. Submission of Contributions. Unless You explicitly state otherwise, any Contribution intentionally submitted for inclusion in the Work by You to the Licensor shall be under the terms and conditions of this License, without any additional terms or conditions. Notwithstanding the above, nothing herein shall supersede or modify the terms of any separate license agreement you may have executed with Licensor regarding such Contributions.
6. Trademarks. This License does not grant permission to use the trade names, trademarks, service marks, or product names of the Licensor, except as required for reasonable and customary use in describing the origin of the Work and reproducing the content of the NOTICE file.

7. Disclaimer of Warranty. Unless required by applicable law or agreed to in writing, Licensor provides the Work (and each Contributor provides its Contributions) on an "AS IS" BASIS, WITHOUT WARRANTIES OR CONDITIONS OF ANY KIND, either express or implied, including, without limitation, any warranties or conditions of TITLE, NON-INFRINGEMENT, MERCHANTABILITY, or FITNESS FOR A PARTICULAR PURPOSE. You are solely responsible for determining the appropriateness of using or redistributing the Work and assume any risks associated with Your exercise of permissions under this License.
8. Limitation of Liability. In no event and under no legal theory, whether in tort (including negligence), contract, or otherwise, unless required by applicable law (such as deliberate and grossly negligent acts) or agreed to in writing, shall any Contributor be liable to You for damages, including any direct, indirect, special, incidental, or consequential damages of any character arising as a result of this License or out of the use or inability to use the Work (including but not limited to damages for loss of goodwill, work stoppage, computer failure or malfunction, or any and all other commercial damages or losses), even if such Contributor has been advised of the possibility of such damages.
9. Accepting Warranty or Additional Liability. While redistributing the Work or Derivative Works thereof, You may choose to offer, and charge a fee for, acceptance of support, warranty, indemnity, or other liability obligations and/or rights consistent with this License. However, in accepting such obligations, You may act only on Your own behalf and on Your sole responsibility, not on behalf of any other Contributor, and only if You agree to indemnify, defend, and hold each Contributor harmless for any liability incurred by, or claims asserted against, such Contributor by reason of your accepting any such warranty or additional liability.

END OF TERMS AND CONDITIONS

---- Part 1: CMU/UCD copyright notice: (BSD like) ----

Copyright 1989, 1991, 1992 by Carnegie Mellon University

Derivative Work - 1996, 1998-2000

Copyright 1996, 1998-2000 The Regents of the University of California

All Rights Reserved

Permission to use, copy, modify and distribute this software and its documentation for any purpose and without fee is hereby granted, provided that the above copyright notice appears in all copies and that both that copyright notice and this permission notice appear in supporting documentation, and that the name of CMU and The Regents of the University of California not be used in advertising or publicity pertaining to distribution of the software without specific written permission.

CMU AND THE REGENTS OF THE UNIVERSITY OF CALIFORNIA DISCLAIM ALL WARRANTIES WITH REGARD TO THIS SOFTWARE, INCLUDING ALL IMPLIED WARRANTIES OF MERCHANTABILITY AND FITNESS. IN NO EVENT SHALL CMU OR THE REGENTS OF THE UNIVERSITY OF CALIFORNIA BE LIABLE FOR ANY SPECIAL, INDIRECT OR CONSEQUENTIAL DAMAGES OR ANY DAMAGES WHATSOEVER RESULTING FROM THE LOSS OF USE, DATA OR PROFITS, WHETHER IN AN ACTION OF CONTRACT, NEGLIGENCE OR OTHER TORTIOUS ACTION, ARISING OUT OF OR IN CONNECTION WITH THE USE OR PERFORMANCE OF THIS SOFTWARE.

---- Part 2: Networks Associates Technology, Inc copyright notice (BSD) ----

Copyright (c) 2001-2003, Networks Associates Technology, Inc

All rights reserved.

Redistribution and use in source and binary forms, with or without modification, are permitted provided that the following conditions are met:

- \* Redistributions of source code must retain the above copyright notice, this list of conditions and the following disclaimer.
- \* Redistributions in binary form must reproduce the above copyright notice, this list of conditions and the following disclaimer in the documentation and/or other materials provided with the distribution.
- \* Neither the name of the Networks Associates Technology, Inc nor the names of its contributors may be used to endorse or promote products derived from this software without specific prior written permission.

THIS SOFTWARE IS PROVIDED BY THE COPYRIGHT HOLDERS AND CONTRIBUTORS ``AS IS" AND ANY EXPRESS OR IMPLIED WARRANTIES, INCLUDING, BUT NOT LIMITED TO, THE IMPLIED WARRANTIES OF MERCHANTABILITY AND FITNESS FOR A PARTICULAR PURPOSE ARE DISCLAIMED. IN NO EVENT SHALL THE COPYRIGHT HOLDERS OR CONTRIBUTORS BE LIABLE FOR ANY DIRECT, INDIRECT, INCIDENTAL, SPECIAL, EXEMPLARY, OR CONSEQUENTIAL DAMAGES (INCLUDING, BUT NOT LIMITED TO, PROCUREMENT OF SUBSTITUTE GOODS OR SERVICES; LOSS OF USE, DATA, OR PROFITS; OR BUSINESS INTERRUPTION) HOWEVER CAUSED AND ON ANY THEORY OF LIABILITY, WHETHER IN CONTRACT, STRICT LIABILITY, OR TORT (INCLUDING NEGLIGENCE OR OTHERWISE) ARISING IN ANY WAY OUT OF THE USE OF THIS SOFTWARE, EVEN IF ADVISED OF THE POSSIBILITY OF SUCH DAMAGE.

---- Part 3: Cambridge Broadband Ltd. copyright notice (BSD) -----

Portions of this code are copyright (c) 2001-2003, Cambridge Broadband Ltd.

All rights reserved.

Redistribution and use in source and binary forms, with or without modification, are permitted provided that the following conditions are met:

- \* Redistributions of source code must retain the above copyright notice, this list of conditions and the following disclaimer.
- \* Redistributions in binary form must reproduce the above copyright notice, this list of conditions and the following disclaimer in the documentation and/or other materials provided with the distribution.
- \* The name of Cambridge Broadband Ltd. may not be used to endorse or promote products derived from this software without specific prior written permission.

THIS SOFTWARE IS PROVIDED BY THE COPYRIGHT HOLDER ``AS IS" AND ANY EXPRESS OR IMPLIED WARRANTIES, INCLUDING, BUT NOT LIMITED TO, THE IMPLIED WARRANTIES OF MERCHANTABILITY AND FITNESS FOR A PARTICULAR PURPOSE ARE DISCLAIMED. IN NO EVENT SHALL THE COPYRIGHT HOLDER BE LIABLE FOR ANY DIRECT, INDIRECT, INCIDENTAL, SPECIAL, EXEMPLARY, OR CONSEQUENTIAL DAMAGES (INCLUDING, BUT NOT LIMITED TO, PROCUREMENT OF SUBSTITUTE GOODS OR SERVICES; LOSS OF USE, DATA, OR PROFITS; OR BUSINESS INTERRUPTION) HOWEVER CAUSED AND ON ANY THEORY OF LIABILITY, WHETHER IN CONTRACT, STRICT LIABILITY, OR TORT (INCLUDING NEGLIGENCE OR OTHERWISE) ARISING IN ANY WAY OUT OF THE USE OF THIS SOFTWARE, EVEN IF ADVISED OF THE POSSIBILITY OF SUCH DAMAGE.

---- Part 4: Sun Microsystems, Inc. copyright notice (BSD) -----

Copyright c 2003 Sun Microsystems, Inc., 4150 Network Circle, Santa Clara, California 95054, U.S.A. All rights reserved.

Use is subject to license terms below.

This distribution may include materials developed by third parties.

Sun, Sun Microsystems, the Sun logo and Solaris are trademarks or registered trademarks of Sun Microsystems, Inc. in the U.S. and other countries.

Redistribution and use in source and binary forms, with or without modification, are permitted provided that the following conditions are met:

- \* Redistributions of source code must retain the above copyright notice, this list of conditions and the following disclaimer.
- \* Redistributions in binary form must reproduce the above copyright notice, this list of conditions and the following disclaimer in the documentation and/or other materials provided with the distribution.
- \* Neither the name of the Sun Microsystems, Inc. nor the names of its contributors may be used to endorse or promote products derived from this software without specific prior written permission.

THIS SOFTWARE IS PROVIDED BY THE COPYRIGHT HOLDERS AND CONTRIBUTORS "AS IS" AND ANY EXPRESS OR IMPLIED WARRANTIES, INCLUDING, BUT NOT LIMITED TO, THE IMPLIED WARRANTIES OF MERCHANTABILITY AND FITNESS FOR A PARTICULAR PURPOSE ARE DISCLAIMED. IN NO EVENT SHALL THE COPYRIGHT HOLDERS OR CONTRIBUTORS BE LIABLE FOR ANY DIRECT, INDIRECT, INCIDENTAL, SPECIAL, EXEMPLARY, OR CONSEQUENTIAL DAMAGES (INCLUDING, BUT NOT LIMITED TO, PROCUREMENT OF SUBSTITUTE GOODS OR SERVICES; LOSS OF USE, DATA, OR PROFITS; OR BUSINESS INTERRUPTION) HOWEVER CAUSED AND ON ANY THEORY OF LIABILITY, WHETHER IN CONTRACT, STRICT LIABILITY, OR TORT (INCLUDING NEGLIGENCE OR OTHERWISE) ARISING IN ANY WAY OUT OF THE USE OF THIS SOFTWARE, EVEN IF ADVISED OF THE POSSIBILITY OF SUCH DAMAGE.

---- Part 5: Sparta, Inc copyright notice (BSD) ----

Copyright (c) 2003-2012, Sparta, Inc

All rights reserved.

Redistribution and use in source and binary forms, with or without modification, are permitted provided that the following conditions are met:

- \* Redistributions of source code must retain the above copyright notice, this list of conditions and the following disclaimer.
- \* Redistributions in binary form must reproduce the above copyright notice, this list of conditions and the following disclaimer in the documentation and/or other materials provided with the distribution.
- \* Neither the name of Sparta, Inc nor the names of its contributors may be used to endorse or promote products derived from this software without specific prior written permission.

THIS SOFTWARE IS PROVIDED BY THE COPYRIGHT HOLDERS AND CONTRIBUTORS "AS IS" AND ANY EXPRESS OR IMPLIED WARRANTIES, INCLUDING, BUT NOT LIMITED TO, THE IMPLIED WARRANTIES OF MERCHANTABILITY AND FITNESS FOR A PARTICULAR PURPOSE ARE DISCLAIMED. IN NO EVENT SHALL THE COPYRIGHT HOLDERS OR CONTRIBUTORS BE LIABLE FOR ANY DIRECT, INDIRECT, INCIDENTAL, SPECIAL, EXEMPLARY, OR CONSEQUENTIAL DAMAGES (INCLUDING, BUT NOT LIMITED TO, PROCUREMENT OF SUBSTITUTE GOODS OR SERVICES; LOSS OF USE, DATA, OR PROFITS; OR BUSINESS INTERRUPTION) HOWEVER CAUSED AND ON ANY THEORY OF LIABILITY, WHETHER IN CONTRACT, STRICT LIABILITY, OR

TORT (INCLUDING NEGLIGENCE OR OTHERWISE) ARISING IN ANY WAY OUT OF THE USE OF THIS SOFTWARE, EVEN IF ADVISED OF THE POSSIBILITY OF SUCH DAMAGE.

---- Part 6: Cisco/BUPTNIC copyright notice (BSD) ----

Copyright (c) 2004, Cisco, Inc and Information Network Center of Beijing University of Posts and Telecommunications.

All rights reserved.

Redistribution and use in source and binary forms, with or without modification, are permitted provided that the following conditions are met:

- \* Redistributions of source code must retain the above copyright notice, this list of conditions and the following disclaimer.
- \* Redistributions in binary form must reproduce the above copyright notice, this list of conditions and the following disclaimer in the documentation and/or other materials provided with the distribution.
- \* Neither the name of Cisco, Inc, Beijing University of Posts and Telecommunications, nor the names of their contributors may be used to endorse or promote products derived from this software without specific prior written permission.

THIS SOFTWARE IS PROVIDED BY THE COPYRIGHT HOLDERS AND CONTRIBUTORS ``AS IS'' AND ANY EXPRESS OR IMPLIED WARRANTIES, INCLUDING, BUT NOT LIMITED TO, THE IMPLIED WARRANTIES OF MERCHANTABILITY AND FITNESS FOR A PARTICULAR PURPOSE ARE DISCLAIMED. IN NO EVENT SHALL THE COPYRIGHT HOLDERS OR CONTRIBUTORS BE LIABLE FOR ANY DIRECT, INDIRECT, INCIDENTAL, SPECIAL, EXEMPLARY, OR CONSEQUENTIAL DAMAGES (INCLUDING, BUT NOT LIMITED TO, PROCUREMENT OF SUBSTITUTE GOODS OR SERVICES; LOSS OF USE, DATA, OR PROFITS; OR BUSINESS INTERRUPTION) HOWEVER CAUSED AND ON ANY THEORY OF LIABILITY, WHETHER IN CONTRACT, STRICT LIABILITY, OR TORT (INCLUDING NEGLIGENCE OR OTHERWISE) ARISING IN ANY WAY OUT OF THE USE OF THIS SOFTWARE, EVEN IF ADVISED OF THE POSSIBILITY OF SUCH DAMAGE.

---- Part 7: Fabasoft R&D Software GmbH & Co KG copyright notice (BSD) ----

Copyright (c) Fabasoft R&D Software GmbH & Co KG, 2003 oss@fabasoft.com

Author: Bernhard Penz <bernhard.penz@fabasoft.com>

Redistribution and use in source and binary forms, with or without modification, are permitted provided that the following conditions are met:

- \* Redistributions of source code must retain the above copyright notice, this list of conditions and the following disclaimer.
- \* Redistributions in binary form must reproduce the above copyright notice, this list of conditions and the following disclaimer in the documentation and/or other materials provided with the distribution.
- \* The name of Fabasoft R&D Software GmbH & Co KG or any of its subsidiaries, brand or product names may not be used to endorse or promote products derived from this software without specific prior written permission.

THIS SOFTWARE IS PROVIDED BY THE COPYRIGHT HOLDER ``AS IS'' AND ANY EXPRESS OR IMPLIED WARRANTIES, INCLUDING, BUT NOT LIMITED TO, THE IMPLIED WARRANTIES OF MERCHANTABILITY AND FITNESS FOR A PARTICULAR PURPOSE ARE DISCLAIMED. IN NO EVENT SHALL THE COPYRIGHT HOLDER BE LIABLE FOR ANY DIRECT, INDIRECT, INCIDENTAL,



SPECIAL, EXEMPLARY, OR CONSEQUENTIAL DAMAGES (INCLUDING, BUT NOT LIMITED TO, PROCUREMENT OF SUBSTITUTE GOODS OR SERVICES; LOSS OF USE, DATA, OR PROFITS; OR BUSINESS INTERRUPTION) HOWEVER CAUSED AND ON ANY THEORY OF LIABILITY, WHETHER IN CONTRACT, STRICT LIABILITY, OR TORT (INCLUDING NEGLIGENCE OR OTHERWISE) ARISING IN ANY WAY OUT OF THE USE OF THIS SOFTWARE, EVEN IF ADVISED OF THE POSSIBILITY OF SUCH DAMAGE.

---- Part 8: Apple Inc. copyright notice (BSD) ----

Copyright (c) 2007 Apple Inc. All rights reserved.

Redistribution and use in source and binary forms, with or without modification, are permitted provided that the following conditions are met:

1. Redistributions of source code must retain the above copyright notice, this list of conditions and the following disclaimer.
2. Redistributions in binary form must reproduce the above copyright notice, this list of conditions and the following disclaimer in the documentation and/or other materials provided with the distribution.
3. Neither the name of Apple Inc. ("Apple") nor the names of its contributors may be used to endorse or promote products derived from this software without specific prior written permission.

THIS SOFTWARE IS PROVIDED BY APPLE AND ITS CONTRIBUTORS "AS IS" AND ANY EXPRESS OR IMPLIED WARRANTIES, INCLUDING, BUT NOT LIMITED TO, THE IMPLIED WARRANTIES OF MERCHANTABILITY AND FITNESS FOR A PARTICULAR PURPOSE ARE DISCLAIMED. IN NO EVENT SHALL APPLE OR ITS CONTRIBUTORS BE LIABLE FOR ANY DIRECT, INDIRECT, INCIDENTAL, SPECIAL, EXEMPLARY, OR CONSEQUENTIAL DAMAGES (INCLUDING, BUT NOT LIMITED TO, PROCUREMENT OF SUBSTITUTE GOODS OR SERVICES; LOSS OF USE, DATA, OR PROFITS; OR BUSINESS INTERRUPTION) HOWEVER CAUSED AND ON ANY THEORY OF LIABILITY, WHETHER IN CONTRACT, STRICT LIABILITY, OR TORT (INCLUDING NEGLIGENCE OR OTHERWISE) ARISING IN ANY WAY OUT OF THE USE OF THIS SOFTWARE, EVEN IF ADVISED OF THE POSSIBILITY OF SUCH DAMAGE.

---- Part 9: ScienceLogic, LLC copyright notice (BSD) ----

Copyright (c) 2009, ScienceLogic, LLC

All rights reserved.

Redistribution and use in source and binary forms, with or without modification, are permitted provided that the following conditions are met:

- \* Redistributions of source code must retain the above copyright notice, this list of conditions and the following disclaimer.
- \* Redistributions in binary form must reproduce the above copyright notice, this list of conditions and the following disclaimer in the documentation and/or other materials provided with the distribution.
- \* Neither the name of ScienceLogic, LLC nor the names of its contributors may be used to endorse or promote products derived from this software without specific prior written permission.

THIS SOFTWARE IS PROVIDED BY THE COPYRIGHT HOLDERS AND CONTRIBUTORS "AS IS" AND ANY EXPRESS OR IMPLIED WARRANTIES, INCLUDING, BUT NOT LIMITED TO, THE IMPLIED WARRANTIES OF MERCHANTABILITY AND FITNESS FOR A PARTICULAR PURPOSE ARE DISCLAIMED. IN NO EVENT SHALL THE COPYRIGHT HOLDERS OR CONTRIBUTORS BE LIABLE

FOR ANY DIRECT, INDIRECT, INCIDENTAL, SPECIAL, EXEMPLARY, OR CONSEQUENTIAL DAMAGES (INCLUDING, BUT NOT LIMITED TO, PROCUREMENT OF SUBSTITUTE GOODS OR SERVICES; LOSS OF USE, DATA, OR PROFITS; OR BUSINESS INTERRUPTION) HOWEVER CAUSED AND ON ANY THEORY OF LIABILITY, WHETHER IN CONTRACT, STRICT LIABILITY, OR TORT (INCLUDING NEGLIGENCE OR OTHERWISE) ARISING IN ANY WAY OUT OF THE USE OF THIS SOFTWARE, EVEN IF ADVISED OF THE POSSIBILITY OF SUCH DAMAGE.

## LEADTOOLS

Copyright (C) 1991-2009 LEAD Technologies, Inc.

CMap Resources

---

Copyright 1990-2009 Adobe Systems Incorporated.

All rights reserved.

Copyright 1990-2010 Adobe Systems Incorporated.

All rights reserved.

Redistribution and use in source and binary forms, with or without modification, are permitted provided that the following conditions are met:

Redistributions of source code must retain the above copyright notice, this list of conditions and the following disclaimer.

Redistributions in binary form must reproduce the above copyright notice, this list of conditions and the following disclaimer in the documentation and/or other materials provided with the distribution.

Neither the name of Adobe Systems Incorporated nor the names of its contributors may be used to endorse or promote products derived from this software without specific prior written permission.

THIS SOFTWARE IS PROVIDED BY THE COPYRIGHT HOLDERS AND CONTRIBUTORS "AS IS" AND ANY EXPRESS OR IMPLIED WARRANTIES, INCLUDING, BUT NOT LIMITED TO, THE IMPLIED WARRANTIES OF MERCHANTABILITY AND FITNESS FOR A PARTICULAR PURPOSE ARE DISCLAIMED. IN NO EVENT SHALL THE COPYRIGHT HOLDER OR CONTRIBUTORS BE LIABLE FOR ANY DIRECT, INDIRECT, INCIDENTAL, SPECIAL, EXEMPLARY, OR CONSEQUENTIAL DAMAGES (INCLUDING, BUT NOT LIMITED TO, PROCUREMENT OF SUBSTITUTE GOODS OR SERVICES; LOSS OF USE, DATA, OR PROFITS; OR BUSINESS INTERRUPTION) HOWEVER CAUSED AND ON ANY THEORY OF LIABILITY, WHETHER IN CONTRACT, STRICT LIABILITY, OR TORT (INCLUDING NEGLIGENCE OR OTHERWISE) ARISING IN ANY WAY OUT OF THE USE OF THIS SOFTWARE, EVEN IF ADVISED OF THE POSSIBILITY OF SUCH DAMAGE.

---

MIT License

Copyright (c) 1998, 1999, 2000 Thai Open Source Software Center Ltd

Permission is hereby granted, free of charge, to any person obtaining a copy of this software and associated documentation files (the "Software"), to deal in the Software without restriction, including without limitation the rights to use, copy, modify, merge, publish, distribute, sublicense, and/or sell copies of the Software, and to permit persons to whom the Software is furnished to do so, subject to the following conditions:

The above copyright notice and this permission notice shall be included in all copies or substantial portions of the Software.

THE SOFTWARE IS PROVIDED "AS IS", WITHOUT WARRANTY OF ANY KIND, EXPRESS OR IMPLIED, INCLUDING BUT NOT LIMITED TO THE WARRANTIES OF MERCHANTABILITY, FITNESS FOR A PARTICULAR PURPOSE AND NONINFRINGEMENT. IN NO EVENT SHALL THE AUTHORS OR COPYRIGHT HOLDERS BE LIABLE FOR ANY CLAIM, DAMAGES OR OTHER LIABILITY, WHETHER IN AN ACTION OF CONTRACT, TORT OR OTHERWISE, ARISING FROM, OUT OF OR IN CONNECTION WITH THE SOFTWARE OR THE USE OR OTHER DEALINGS IN THE SOFTWARE.

Copyright 2000 Computing Research Labs, New Mexico State University

Copyright 2001-2015 Francesco Zappa Nardelli

Permission is hereby granted, free of charge, to any person obtaining a copy of this software and associated documentation files (the "Software"), to deal in the Software without restriction, including without limitation the rights to use, copy, modify, merge, publish, distribute, sublicense, and/or sell copies of the Software, and to permit persons to whom the Software is furnished to do so, subject to the following conditions:

The above copyright notice and this permission notice shall be included in all copies or substantial portions of the Software.

THE SOFTWARE IS PROVIDED "AS IS", WITHOUT WARRANTY OF ANY KIND, EXPRESS OR IMPLIED, INCLUDING BUT NOT LIMITED TO THE WARRANTIES OF MERCHANTABILITY, FITNESS FOR A PARTICULAR PURPOSE AND NONINFRINGEMENT. IN NO EVENT SHALL THE COMPUTING RESEARCH LAB OR NEW MEXICO STATE UNIVERSITY BE LIABLE FOR ANY CLAIM, DAMAGES OR OTHER LIABILITY, WHETHER IN AN ACTION OF CONTRACT, TORT OR OTHERWISE, ARISING FROM, OUT OF OR IN CONNECTION WITH THE SOFTWARE OR THE USE OR OTHER DEALINGS IN THE SOFTWARE.

Written by Joel Sherrill <joel@OARcorp.com>.

COPYRIGHT (c) 1989-2000.

On-Line Applications Research Corporation (OAR).

Permission to use, copy, modify, and distribute this software for any purpose without fee is hereby granted, provided that this entire notice is included in all copies of any software which is or includes a copy or modification of this software.

THIS SOFTWARE IS BEING PROVIDED "AS IS", WITHOUT ANY EXPRESS OR IMPLIED WARRANTY. IN PARTICULAR, THE AUTHOR MAKES NO REPRESENTATION OR WARRANTY OF ANY KIND

CONCERNING THE MERCHANTABILITY OF THIS SOFTWARE OR ITS FITNESS FOR ANY PARTICULAR PURPOSE.

(1) Red Hat Incorporated

Copyright (c) 1994-2009 Red Hat, Inc. All rights reserved.

This copyrighted material is made available to anyone wishing to use, modify, copy, or redistribute it subject to the terms and conditions of the BSD License. This program is distributed in the hope that it will be useful, but WITHOUT ANY WARRANTY expressed or implied, including the implied warranties of MERCHANTABILITY or FITNESS FOR A PARTICULAR PURPOSE. A copy of this license is available at <http://www.opensource.org/licenses>. Any Red Hat trademarks that are incorporated in the source code or documentation are not subject to the BSD License and may only be used or replicated with the express permission of Red Hat, Inc.

(2) University of California, Berkeley

Copyright (c) 1981-2000 The Regents of the University of California.

All rights reserved.

Redistribution and use in source and binary forms, with or without modification, are permitted provided that the following conditions are met:

- \* Redistributions of source code must retain the above copyright notice, this list of conditions and the following disclaimer.
- \* Redistributions in binary form must reproduce the above copyright notice, this list of conditions and the following disclaimer in the documentation and/or other materials provided with the distribution.
- \* Neither the name of the University nor the names of its contributors may be used to endorse or promote products derived from this software without specific prior written permission.

THIS SOFTWARE IS PROVIDED BY THE COPYRIGHT HOLDERS AND CONTRIBUTORS "AS IS" AND ANY EXPRESS OR IMPLIED WARRANTIES, INCLUDING, BUT NOT LIMITED TO, THE IMPLIED WARRANTIES OF MERCHANTABILITY AND FITNESS FOR A PARTICULAR PURPOSE ARE DISCLAIMED. IN NO EVENT SHALL THE COPYRIGHT OWNER OR CONTRIBUTORS BE LIABLE FOR ANY DIRECT, INDIRECT, INCIDENTAL, SPECIAL, EXEMPLARY, OR CONSEQUENTIAL DAMAGES (INCLUDING, BUT NOT LIMITED TO, PROCUREMENT OF SUBSTITUTE GOODS OR SERVICES; LOSS OF USE, DATA, OR PROFITS; OR BUSINESS INTERRUPTION) HOWEVER CAUSED AND ON ANY THEORY OF LIABILITY, WHETHER IN CONTRACT, STRICT LIABILITY, OR TORT (INCLUDING NEGLIGENCE OR OTHERWISE) ARISING IN ANY WAY OUT OF THE USE OF THIS SOFTWARE, EVEN IF ADVISED OF THE POSSIBILITY OF SUCH DAMAGE.

The FreeType Project LICENSE

-----

2006-Jan-27

Copyright 1996-2002, 2006 by

David Turner, Robert Wilhelm, and Werner Lemberg

Introduction

=====

The FreeType Project is distributed in several archive packages; some of them may contain, in addition to the FreeType font engine, various tools and contributions which rely on, or relate to, the FreeType Project.

This license applies to all files found in such packages, and which do not fall under their own explicit license. The license affects thus the FreeType font engine, the test programs, documentation and makefiles, at the very least.

This license was inspired by the BSD, Artistic, and IJG (Independent JPEG Group) licenses, which all encourage inclusion and use of free software in commercial and freeware products alike. As a consequence, its main points are that:

- o We don't promise that this software works. However, we will be interested in any kind of bug reports. ('as is' distribution)
- o You can use this software for whatever you want, in parts or full form, without having to pay us. ('royalty-free' usage)
- o You may not pretend that you wrote this software. If you use it, or only parts of it, in a program, you must acknowledge somewhere in your documentation that you have used the FreeType code. ('credits')

We specifically permit and encourage the inclusion of this software, with or without modifications, in commercial products.

We disclaim all warranties covering The FreeType Project and assume no liability related to The FreeType Project.

Finally, many people asked us for a preferred form for a credit/disclaimer to use in compliance with this license. We thus encourage you to use the following text:

\*\*\*\*

Portions of this software are copyright © <year> The FreeType Project (www.freetype.org). All rights reserved.

\*\*\*\*

Please replace <year> with the value from the FreeType version you actually use.

Legal Terms

=====

0. Definitions

-----

Throughout this license, the terms 'package', 'FreeType Project', and 'FreeType archive' refer to the set of files originally distributed by the authors (David Turner, Robert Wilhelm, and Werner Lemberg) as the 'FreeType Project', be they named as alpha, beta or final release.

'You' refers to the licensee, or person using the project, where 'using' is a generic term including compiling the project's source code as well as linking it to form a 'program' or 'executable'.

This program is referred to as 'a program using the FreeType engine'.

This license applies to all files distributed in the original FreeType Project, including all source code, binaries and documentation, unless otherwise stated in the file in its original, unmodified form as distributed in the original archive.

If you are unsure whether or not a particular file is covered by this license, you must contact us to verify this.

The FreeType Project is copyright (C) 1996-2000 by David Turner, Robert Wilhelm, and Werner Lemberg. All rights reserved except as specified below.

### 1. No Warranty

-----

THE FREETYPE PROJECT IS PROVIDED 'AS IS' WITHOUT WARRANTY OF ANY KIND, EITHER EXPRESS OR IMPLIED, INCLUDING, BUT NOT LIMITED TO, WARRANTIES OF MERCHANTABILITY AND FITNESS FOR A PARTICULAR PURPOSE. IN NO EVENT WILL ANY OF THE AUTHORS OR COPYRIGHT HOLDERS BE LIABLE FOR ANY DAMAGES CAUSED BY THE USE OR THE INABILITY TO USE, OF THE FREETYPE PROJECT.

### 2. Redistribution

-----

This license grants a worldwide, royalty-free, perpetual and irrevocable right and license to use, execute, perform, compile, display, copy, create derivative works of, distribute and sublicense the FreeType Project (in both source and object code forms) and derivative works thereof for any purpose; and to authorize others to exercise some or all of the rights granted herein, subject to the following conditions:

- o Redistribution of source code must retain this license file ('FTL.TXT') unaltered; any additions, deletions or changes to the original files must be clearly indicated in accompanying documentation. The copyright notices of the unaltered, original files must be preserved in all copies of source files.
- o Redistribution in binary form must provide a disclaimer that states that the software is based in part of the work of the FreeType Team, in the distribution documentation. We also encourage you to put an URL to the FreeType web page in your documentation, though this isn't mandatory.

These conditions apply to any software derived from or based on the FreeType Project, not just the unmodified files. If you use our work, you must acknowledge us. However, no fee need be paid to us.

### 3. Advertising

-----

Neither the FreeType authors and contributors nor you shall use the name of the other for commercial, advertising, or promotional purposes without specific prior written permission.

We suggest, but do not require, that you use one or more of the following phrases to refer to this software in your documentation or advertising materials: 'FreeType Project', 'FreeType Engine', 'FreeType library', or 'FreeType Distribution'.

As you have not signed this license, you are not required to accept it. However, as the FreeType Project is copyrighted material, only this license, or another one contracted with the authors, grants you the right to use, distribute, and modify it.

Therefore, by using, distributing, or modifying the FreeType Project, you indicate that you understand and accept all the terms of this license.

### 4. Contacts

-----

There are two mailing lists related to FreeType:

- o [freetype@nongnu.org](mailto:freetype@nongnu.org)

Discusses general use and applications of FreeType, as well as future and wanted additions to the library and distribution.

If you are looking for support, start in this list if you haven't found anything to help you in the documentation.

o [freetype-devel@nongnu.org](mailto:freetype-devel@nongnu.org)

Discusses bugs, as well as engine internals, design issues, specific licenses, porting, etc.

Our home page can be found at

<http://www.freetype.org>

--- end of FTL.TXT ---

The TWAIN Toolkit is distributed as is. The developer and distributors of the TWAIN Toolkit expressly disclaim all implied, express or statutory warranties including, without limitation, the implied warranties of merchantability, noninfringement of third party rights and fitness for a particular purpose. Neither the developers nor the distributors will be liable for damages, whether direct, indirect, special, incidental, or consequential, as a result of the reproduction, modification, distribution or other use of the TWAIN Toolkit.

JSON for Modern C++

Copyright (c) 2013-2017 Niels Lohmann

Permission is hereby granted, free of charge, to any person obtaining a copy of this software and associated documentation files (the "Software"), to deal in the Software without restriction, including without limitation the rights to use, copy, modify, merge, publish, distribute, sublicense, and/or sell copies of the Software, and to permit persons to whom the Software is furnished to do so, subject to the following conditions:

The above copyright notice and this permission notice shall be included in all copies or substantial portions of the Software.

THE SOFTWARE IS PROVIDED "AS IS", WITHOUT WARRANTY OF ANY KIND, EXPRESS OR IMPLIED, INCLUDING BUT NOT LIMITED TO THE WARRANTIES OF MERCHANTABILITY, FITNESS FOR A PARTICULAR PURPOSE AND NONINFRINGEMENT. IN NO EVENT SHALL THE AUTHORS OR COPYRIGHT HOLDERS BE LIABLE FOR ANY CLAIM, DAMAGES OR OTHER LIABILITY, WHETHER IN AN ACTION OF CONTRACT, TORT OR OTHERWISE, ARISING FROM, OUT OF OR IN CONNECTION WITH THE SOFTWARE OR THE USE OR OTHER DEALINGS IN THE SOFTWARE.

Copyright (c) 2011 - 2015 ARM LIMITED

All rights reserved.

Redistribution and use in source and binary forms, with or without modification, are permitted provided that the following conditions are met:

- Redistributions of source code must retain the above copyright notice, this list of conditions and the following disclaimer.
- Redistributions in binary form must reproduce the above copyright notice, this list of conditions and the following disclaimer in the documentation and/or other materials provided with the distribution.
- Neither the name of ARM nor the names of its contributors may be used to endorse or promote products derived from this software without specific prior written permission.

THIS SOFTWARE IS PROVIDED BY THE COPYRIGHT HOLDERS AND CONTRIBUTORS "AS IS" AND ANY EXPRESS OR IMPLIED WARRANTIES, INCLUDING, BUT NOT LIMITED TO, THE IMPLIED WARRANTIES OF MERCHANTABILITY AND FITNESS FOR A PARTICULAR PURPOSE ARE DISCLAIMED. IN NO EVENT SHALL COPYRIGHT HOLDERS AND CONTRIBUTORS BE LIABLE FOR ANY DIRECT, INDIRECT, INCIDENTAL, SPECIAL, EXEMPLARY, OR CONSEQUENTIAL DAMAGES (INCLUDING, BUT NOT LIMITED TO, PROCUREMENT OF SUBSTITUTE GOODS OR SERVICES; LOSS OF USE, DATA, OR PROFITS; OR BUSINESS INTERRUPTION) HOWEVER CAUSED AND ON ANY THEORY OF LIABILITY, WHETHER IN CONTRACT, STRICT LIABILITY, OR TORT (INCLUDING NEGLIGENCE OR OTHERWISE) ARISING IN ANY WAY OUT OF THE USE OF THIS SOFTWARE, EVEN IF ADVISED OF THE POSSIBILITY OF SUCH DAMAGE.

Copyright (c) 2014, Kenneth MacKay

All rights reserved.

Redistribution and use in source and binary forms, with or without modification, are permitted provided that the following conditions are met:

- \* Redistributions of source code must retain the above copyright notice, this list of conditions and the following disclaimer.
- \* Redistributions in binary form must reproduce the above copyright notice, this list of conditions and the following disclaimer in the documentation and/or other materials provided with the distribution.

THIS SOFTWARE IS PROVIDED BY THE COPYRIGHT HOLDERS AND CONTRIBUTORS "AS IS" AND ANY EXPRESS OR IMPLIED WARRANTIES, INCLUDING, BUT NOT LIMITED TO, THE IMPLIED WARRANTIES OF MERCHANTABILITY AND FITNESS FOR A PARTICULAR PURPOSE ARE DISCLAIMED. IN NO EVENT SHALL THE COPYRIGHT HOLDER OR CONTRIBUTORS BE LIABLE FOR ANY DIRECT, INDIRECT, INCIDENTAL, SPECIAL, EXEMPLARY, OR CONSEQUENTIAL DAMAGES (INCLUDING, BUT NOT LIMITED TO, PROCUREMENT OF SUBSTITUTE GOODS OR SERVICES; LOSS OF USE, DATA, OR PROFITS; OR BUSINESS INTERRUPTION) HOWEVER CAUSED AND ON ANY THEORY OF LIABILITY, WHETHER IN CONTRACT, STRICT LIABILITY, OR TORT (INCLUDING NEGLIGENCE OR OTHERWISE) ARISING IN ANY WAY OUT OF THE USE OF THIS SOFTWARE, EVEN IF ADVISED OF THE POSSIBILITY OF SUCH DAMAGE.

Copyright (c) 2006, CRYPTOGRAMS by <appro@openssl.org> All rights reserved.

Redistribution and use in source and binary forms, with or without modification, are permitted provided that the following conditions are met:

- \* Redistributions of source code must retain copyright notices, this list of conditions and the following disclaimer.
- \* Redistributions in binary form must reproduce the above copyright notice, this list of conditions and the following disclaimer in the documentation and/or other materials provided with the distribution.
- \* Neither the name of the CRYPTOGRAMS nor the names of its copyright holder and contributors may be used to endorse or promote products derived from this software without specific prior written permission.

ALTERNATIVELY, provided that this notice is retained in full, this product may be distributed under the terms of the GNU General Public License (GPL), in which case the provisions of the GPL apply INSTEAD OF those given above.

THIS SOFTWARE IS PROVIDED BY THE COPYRIGHT HOLDER AND CONTRIBUTORS "AS IS" AND ANY EXPRESS OR IMPLIED WARRANTIES, INCLUDING, BUT NOT LIMITED TO, THE IMPLIED



WARRANTIES OF MERCHANTABILITY AND FITNESS FOR A PARTICULAR PURPOSE ARE DISCLAIMED. IN NO EVENT SHALL THE COPYRIGHT OWNER OR CONTRIBUTORS BE LIABLE FOR ANY DIRECT, INDIRECT, INCIDENTAL, SPECIAL, EXEMPLARY, OR CONSEQUENTIAL DAMAGES (INCLUDING, BUT NOT LIMITED TO, PROCUREMENT OF SUBSTITUTE GOODS OR SERVICES; LOSS OF USE, DATA, OR PROFITS; OR BUSINESS INTERRUPTION) HOWEVER CAUSED AND ON ANY THEORY OF LIABILITY, WHETHER IN CONTRACT, STRICT LIABILITY, OR TORT (INCLUDING NEGLIGENCE OR OTHERWISE) ARISING IN ANY WAY OUT OF THE USE OF THIS SOFTWARE, EVEN IF ADVISED OF THE POSSIBILITY OF SUCH DAMAGE.

ISC License

Copyright (c) 2013-2017

Frank Denis <j at pureftpd dot org>

Permission to use, copy, modify, and/or distribute this software for any purpose with or without fee is hereby granted, provided that the above copyright notice and this permission notice appear in all copies.

THE SOFTWARE IS PROVIDED "AS IS" AND THE AUTHOR DISCLAIMS ALL WARRANTIES WITH REGARD TO THIS SOFTWARE INCLUDING ALL IMPLIED WARRANTIES OF MERCHANTABILITY AND FITNESS. IN NO EVENT SHALL THE AUTHOR BE LIABLE FOR ANY SPECIAL, DIRECT, INDIRECT, OR CONSEQUENTIAL DAMAGES OR ANY DAMAGES WHATSOEVER RESULTING FROM LOSS OF USE, DATA OR PROFITS, WHETHER IN AN ACTION OF CONTRACT, NEGLIGENCE OR OTHER TORTIOUS ACTION, ARISING OUT OF OR IN CONNECTION WITH THE USE OR PERFORMANCE OF THIS SOFTWARE.

Copyright (c) 2008 The NetBSD Foundation, Inc.

All rights reserved.

This code is derived from software contributed to The NetBSD Foundation by Lennart Augustsson (lennart@augustsson.net) at Carlstedt Research & Technology.

Redistribution and use in source and binary forms, with or without modification, are permitted provided that the following conditions are met:

1. Redistributions of source code must retain the above copyright notice, this list of conditions and the following disclaimer.
2. Redistributions in binary form must reproduce the above copyright notice, this list of conditions and the following disclaimer in the documentation and/or other materials provided with the distribution.

THIS SOFTWARE IS PROVIDED BY THE NETBSD FOUNDATION, INC. AND CONTRIBUTORS "AS IS" AND ANY EXPRESS OR IMPLIED WARRANTIES, INCLUDING, BUT NOT LIMITED TO, THE IMPLIED WARRANTIES OF MERCHANTABILITY AND FITNESS FOR A PARTICULAR PURPOSE ARE DISCLAIMED. IN NO EVENT SHALL THE FOUNDATION OR CONTRIBUTORS BE LIABLE FOR ANY DIRECT, INDIRECT, INCIDENTAL, SPECIAL, EXEMPLARY, OR CONSEQUENTIAL DAMAGES (INCLUDING, BUT NOT LIMITED TO, PROCUREMENT OF SUBSTITUTE GOODS OR SERVICES; LOSS OF USE, DATA, OR PROFITS; OR BUSINESS INTERRUPTION) HOWEVER CAUSED AND ON ANY THEORY OF LIABILITY, WHETHER IN

CONTRACT, STRICT LIABILITY, OR TORT (INCLUDING NEGLIGENCE OR OTHERWISE) ARISING IN ANY WAY OUT OF THE USE OF THIS SOFTWARE, EVEN IF ADVISED OF THE POSSIBILITY OF SUCH DAMAGE.

Copyright (c) 2000 Intel Corporation

All rights reserved.

Redistribution and use in source and binary forms, with or without modification, are permitted provided that the following conditions are met:

- \* Redistributions of source code must retain the above copyright notice, this list of conditions and the following disclaimer.
- \* Redistributions in binary form must reproduce the above copyright notice, this list of conditions and the following disclaimer in the documentation and/or other materials provided with the distribution.
- \* Neither name of Intel Corporation nor the names of its contributors may be used to endorse or promote products derived from this software without specific prior written permission.

THIS SOFTWARE IS PROVIDED BY THE COPYRIGHT HOLDERS AND CONTRIBUTORS "AS IS" AND ANY EXPRESS OR IMPLIED WARRANTIES, INCLUDING, BUT NOT LIMITED TO, THE IMPLIED WARRANTIES OF MERCHANTABILITY AND FITNESS FOR A PARTICULAR PURPOSE ARE DISCLAIMED. IN NO EVENT SHALL INTEL OR CONTRIBUTORS BE LIABLE FOR ANY DIRECT, INDIRECT, INCIDENTAL, SPECIAL, EXEMPLARY, OR CONSEQUENTIAL DAMAGES (INCLUDING, BUT NOT LIMITED TO, PROCUREMENT OF SUBSTITUTE GOODS OR SERVICES; LOSS OF USE, DATA, OR PROFITS; OR BUSINESS INTERRUPTION) HOWEVER CAUSED AND ON ANY THEORY OF LIABILITY, WHETHER IN CONTRACT, STRICT LIABILITY, OR TORT (INCLUDING NEGLIGENCE OR OTHERWISE) ARISING IN ANY WAY OUT OF THE USE OF THIS SOFTWARE, EVEN IF ADVISED OF THE POSSIBILITY OF SUCH DAMAGE.

以下仅适用于支持 Wi-Fi 的产品。

(c) 2009-2013 by Jeff Mott. All rights reserved.

Redistribution and use in source and binary forms, with or without modification, are permitted provided that the following conditions are met:

- \* Redistributions of source code must retain the above copyright notice, this list of conditions, and the following disclaimer.
- \* Redistributions in binary form must reproduce the above copyright notice, this list of conditions, and the following disclaimer in the documentation or other materials provided with the distribution.
- \* Neither the name CryptoJS nor the names of its contributors may be used to endorse or promote products derived from this software without specific prior written permission.

THIS SOFTWARE IS PROVIDED BY THE COPYRIGHT HOLDERS AND CONTRIBUTORS "AS IS," AND ANY EXPRESS OR IMPLIED WARRANTIES, INCLUDING, BUT NOT LIMITED TO, THE IMPLIED WARRANTIES OF MERCHANTABILITY AND FITNESS FOR A PARTICULAR PURPOSE, ARE DISCLAIMED. IN NO EVENT SHALL THE COPYRIGHT HOLDER OR CONTRIBUTORS BE LIABLE FOR ANY DIRECT, INDIRECT, INCIDENTAL, SPECIAL, EXEMPLARY, OR CONSEQUENTIAL DAMAGES (INCLUDING, BUT NOT LIMITED TO, PROCUREMENT OF SUBSTITUTE GOODS OR

SERVICES; LOSS OF USE, DATA, OR PROFITS; OR BUSINESS INTERRUPTION) HOWEVER CAUSED AND ON ANY THEORY OF LIABILITY, WHETHER IN CONTRACT, STRICT LIABILITY, OR TORT (INCLUDING NEGLIGENCE OR OTHERWISE) ARISING IN ANY WAY OUT OF THE USE OF THIS SOFTWARE, EVEN IF ADVISED OF THE POSSIBILITY OF SUCH DAMAGE.

## 使用纸张、墨水盒等

---

- ▶ 装入纸张
- ▶ 再填充墨水盒

## 装入纸张

---

- ▶ 装入普通纸/照片纸

## 装入普通纸/照片纸

可以装入普通纸或照片纸。

### 重要事项

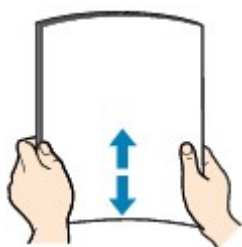
- 如果将普通纸剪切为 13 x 18 厘米(5" x 7")或更小尺寸进行试打印，可能会造成卡纸。

### 注释

- 建议使用 Canon 原装照片纸打印照片。  
有关 Canon 原装纸张的详细资料，请参见[支持的介质类型](#)。
- 可以使用普通的复印纸或 Canon Red Label Superior WOP111/Canon Océ Office Colour Paper SAT213。  
有关本打印机可以使用的页尺寸和纸张重量，请参见[支持的介质类型](#)。

### 1. 准备纸张。

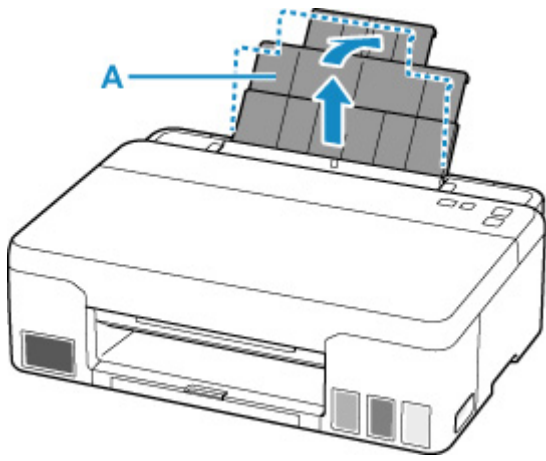
对齐纸张的边缘。如果纸张卷曲，将其平整。



### 注释

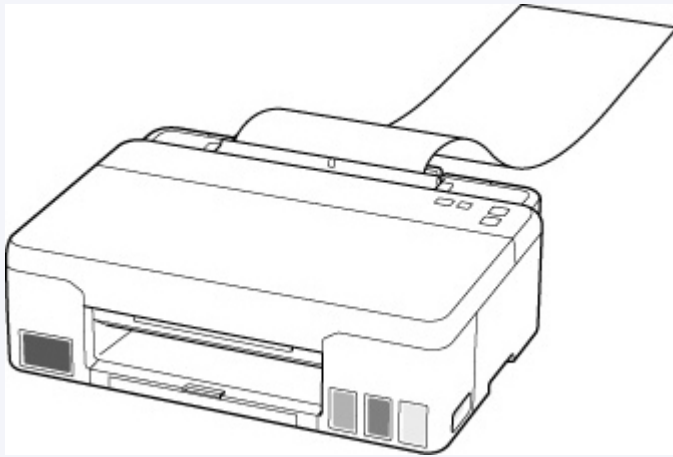
- 装入前请先将纸张的边缘完全对齐。装入纸张时没有对齐纸张边缘可能会造成卡纸。
- 如果纸张卷曲，请持着卷曲的角并轻轻地向反方向弯曲纸张，直至纸张完全平整。  
有关如何平整卷曲纸张的详细资料，请参见[纸张出现污迹/打印面有划痕](#)中的 **检查 3**。
- 使用亚高光泽照片纸 SG-201 时，即使纸张卷曲，也请按原样一次装入一张纸。如果卷曲纸张以平整纸张，可能造成纸张表面出现裂纹并降低打印质量。

### 2. 将靠纸架(A)垂直向上拉，然后向后折。

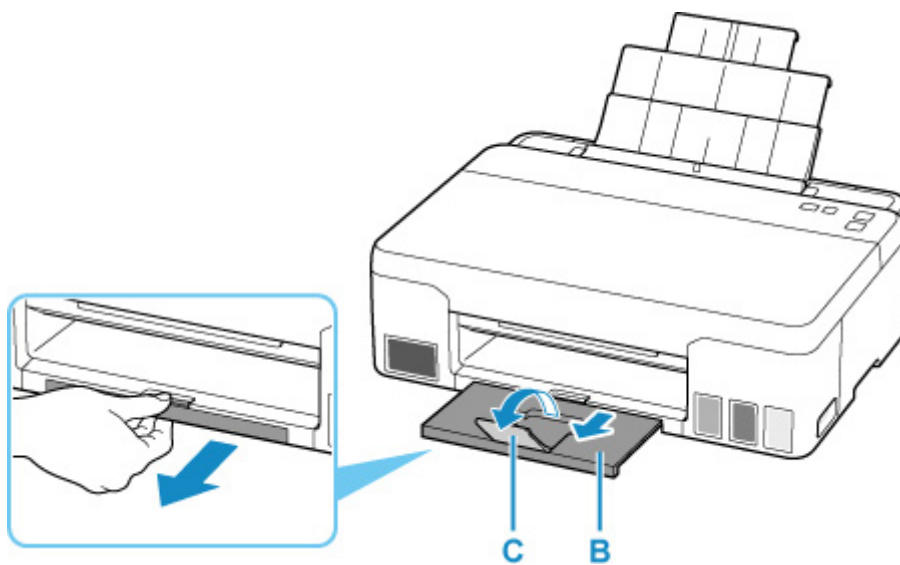


注釋

- 在不打开靠纸架的情况下装入较长的纸张。由于纸张的重量，前端可能会翘起并导致打印结果有所偏移。请确保纸张前端不会翘起，比如通过托住后端托盘伸出的部分。

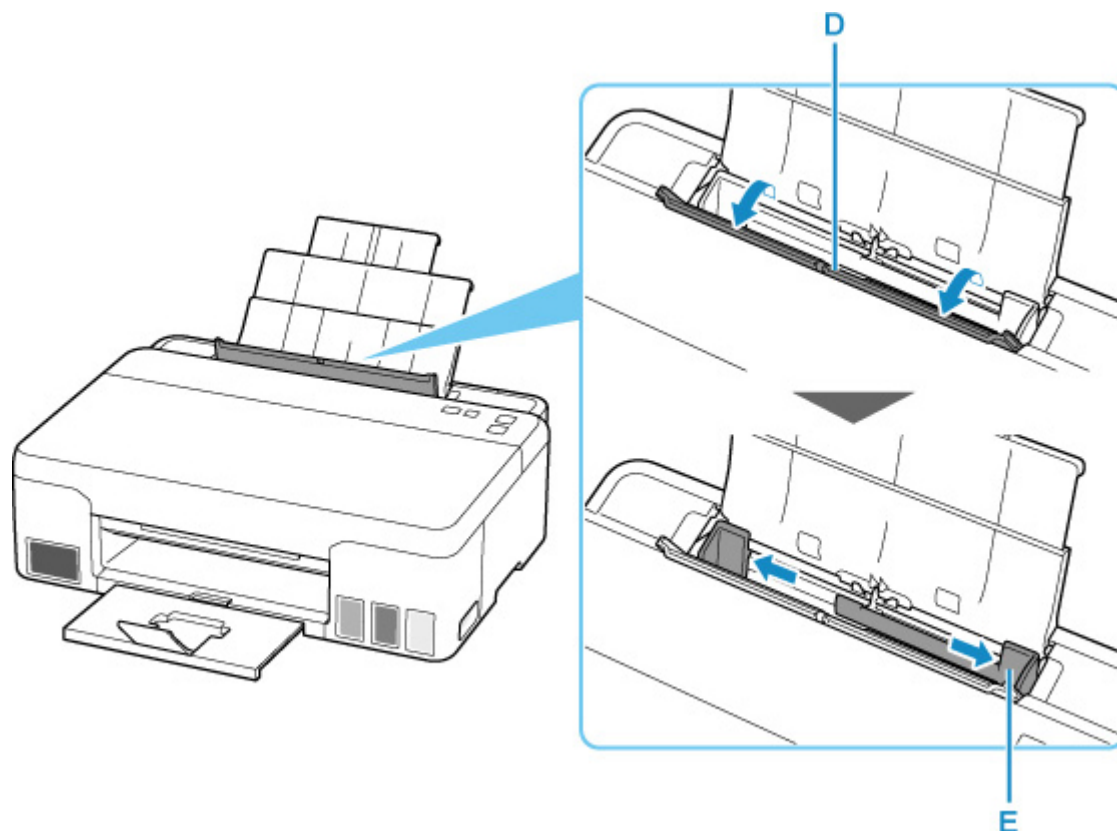


3. 拉出出纸托盘(B)和出纸托盘扩展架(C)。



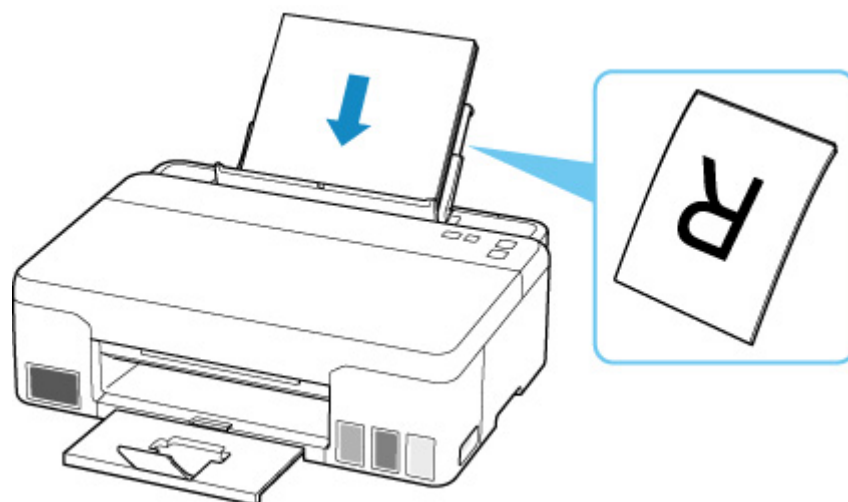
4. 打开进纸插槽盖板(D)。

5. 移动右侧纸张导片(E)以拉开两个纸张导片。



6. 将打印面向上纵向装入纸叠。

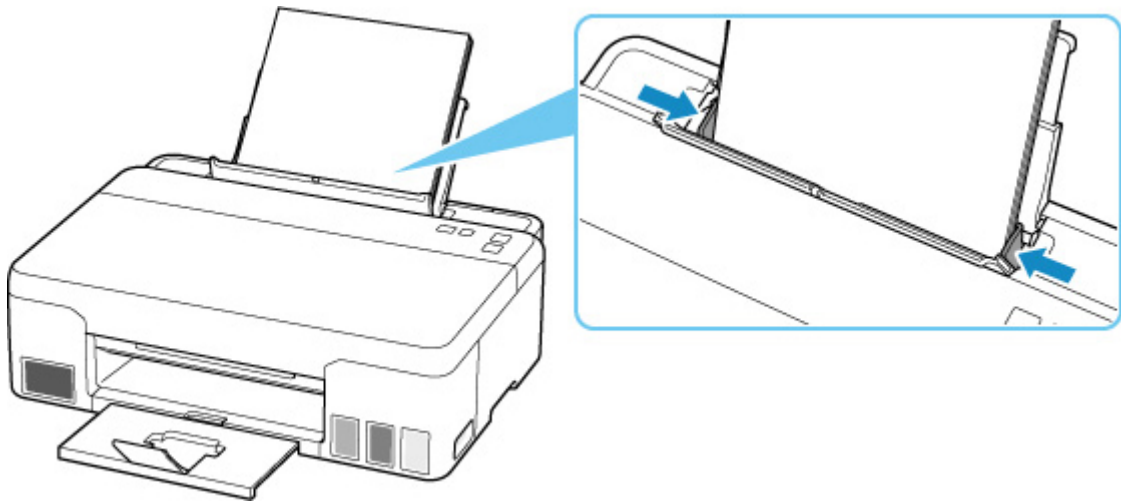
在后端托盘中装入纸张后，**纸张**指示灯会闪烁。



7. 移动右侧纸张导片，与纸叠的两侧对齐。

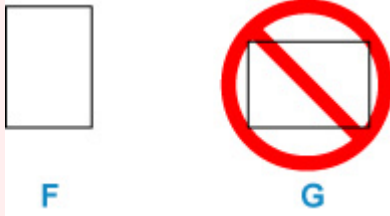
请勿过于用力移动纸张导片以紧靠纸张。否则，纸张可能无法正确地送入。





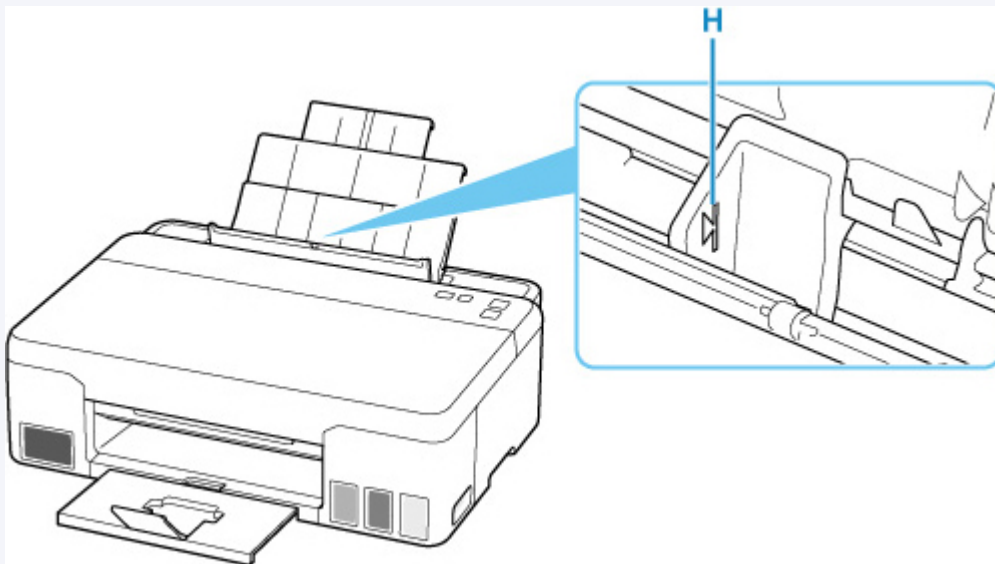
### 重要事项

- 请务必纵向(F)装入纸张。横向(G)装入纸张可能造成卡纸。

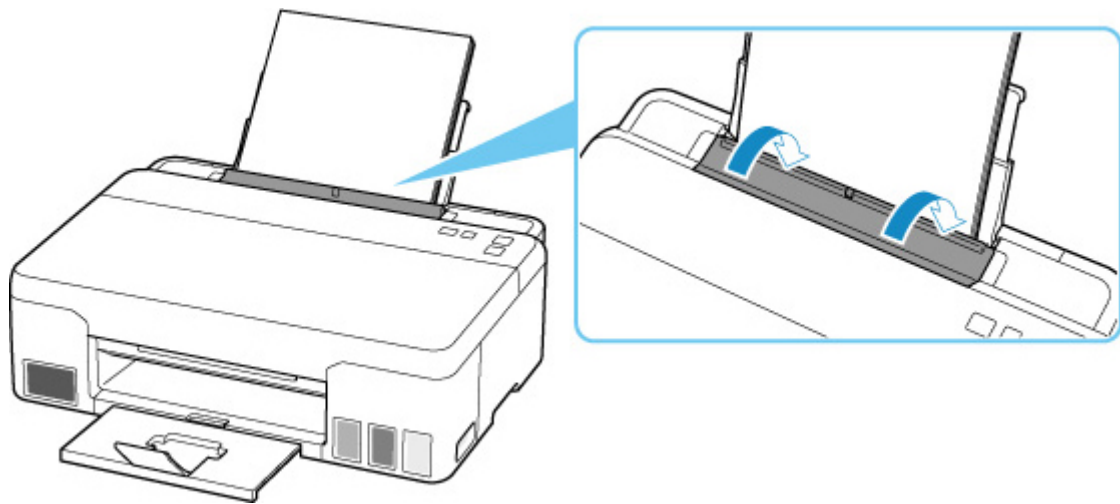


### 注释

- 请勿使装入的纸张超出装入限量标记(H)。

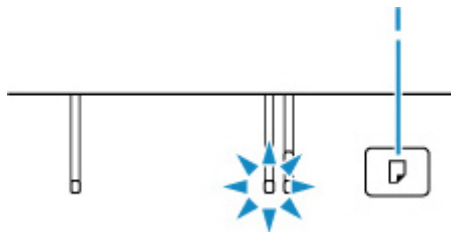


8. 轻轻关闭进纸插槽盖板。



## 9. 设置纸张尺寸。

按**纸张选择**按钮(I)将设置切换为与装入的纸张相同的尺寸，然后按 **OK** 按钮。



### ►► 注释

- 存在多种类型的纸张，如表面覆有特殊涂膜的用于打印最佳质量照片的纸张，以及适合打印文档的纸张。每一种介质类型都有特定的预置设置(如何使用墨水、如何喷出墨水或到喷嘴的距离等)，可以在该类型介质上打印出最佳图像质量。错误的纸张设置可能造成打印颜色质量欠佳，或造成打印面出现划痕。如果发现模糊不清或颜色不均匀，请提高打印质量设置并再次尝试打印。
- 为防止错误打印，本打印机具备检测功能，可检测后端托盘中装入的纸张尺寸设置是否与纸张设置相同。打印前，请根据纸张尺寸设置进行打印设置。启用此功能时，如果这些设置不匹配，**警告**指示灯会闪烁以防止错误打印。如果**警告**指示灯闪烁，请检查并修正纸张设置。
- 打印较长的纸张时，请用手托住输出的纸张或在纸张不会掉落的位置使用打印机。如果纸张掉落，打印面可能会变脏或被刮擦。此外，用手托住纸张时，切勿强行拉出正在打印的纸张。

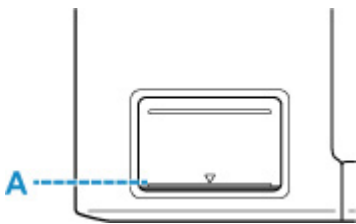
## 再填充墨水盒

---

- ▶ 再填充墨水盒
- ▶ 检查墨水量
- ▶ 墨水提示

## 再填充墨水盒

出现剩余墨水警告或错误时，警告指示灯将闪烁以提示出现错误。在这种状态下，打印机无法进行打印。通过打印机正面的墨水盒指标检查剩余墨水量。如果墨水量接近下限线(A)，请再填充墨水盒。



### 重要事项

- 如果启用了通知剩余墨水量的功能(剩余墨水量通知功能)，将墨水盒再填充至上限线之前需要重置剩余墨水量计算。

如果在墨水盒未滿时重置剩余墨水量计算，则打印机无法正确检测墨水量。

从打印机

#### ■ [墨水量监控](#)

从计算机

#### ■ [更改剩余墨水量通知设置](#)

- 如果已禁用剩余墨水量通知功能，请目视检查剩余墨水量并根据需要再填充墨水盒。如果在墨水量低于墨水盒下限线的情况下继续打印，打印质量可能不理想。

### 注释

- 如果在墨水量充足的状态下打印结果变得暗淡或出现白色条纹，请参见[维护步骤](#)。
- 有关处理墨水瓶的注意事项，请参见[墨水瓶的注意事项](#)。

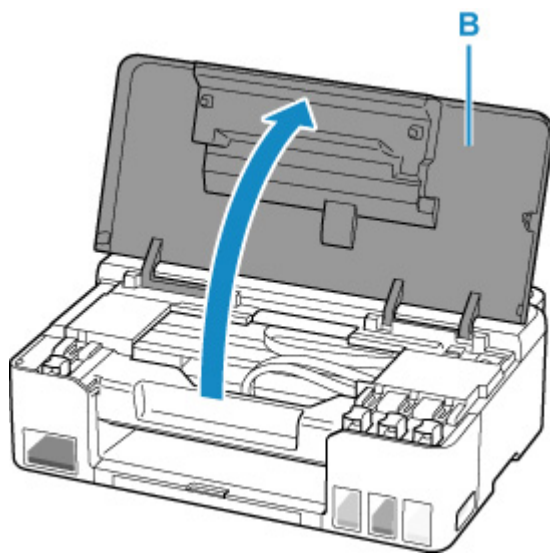
## 再填充步骤

再填充墨水盒时，请按照以下步骤操作。

### 重要事项

- 请确保初始设置后将打印机水平放置，没有倒置或侧放，否则打印机中的墨水可能会漏出。

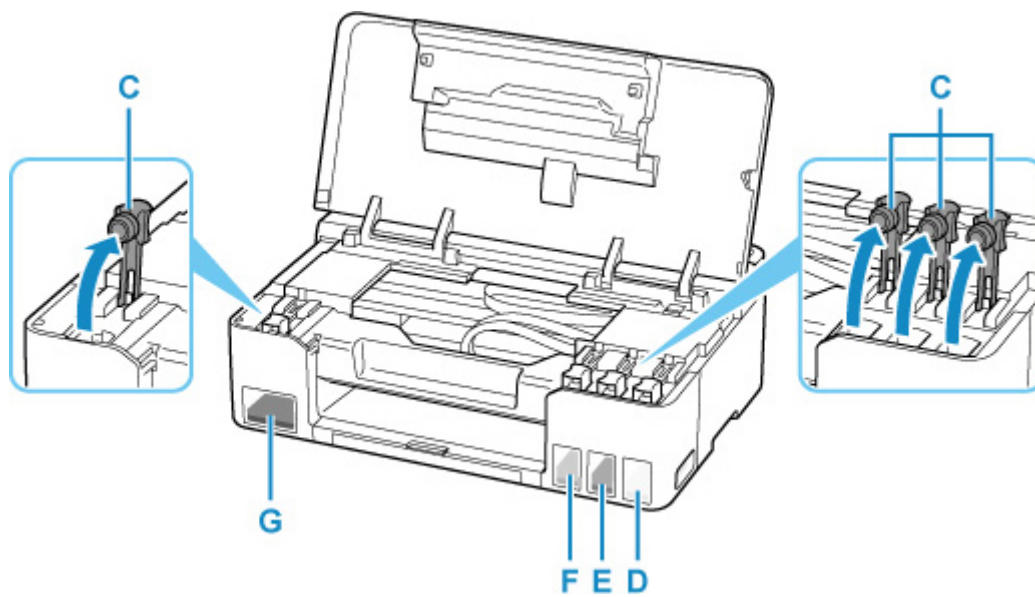
1. [确认打印机是否已开启。](#)
2. 打开上盖(B)。



### 重要事项

- 请勿触摸打印机内部的导管或其他部件。否则可能造成打印机故障。

3. 打开要再填充的墨水盒的墨水盒盖(C)。

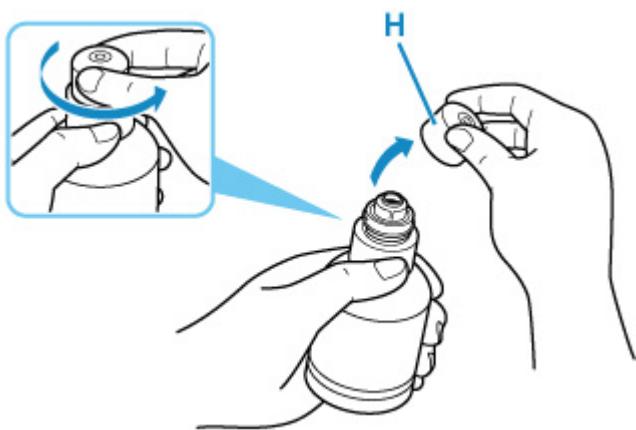


- D: 黄色
- E: 品红色
- F: 青色
- G: 黑色

### 重要事项

- 小心打开墨水盒的墨水盒盖。打开墨水盒盖时，盒盖内的墨水可能会溅出。

4. 竖直握住墨水瓶，轻轻扭转瓶盖(H)将其取下。



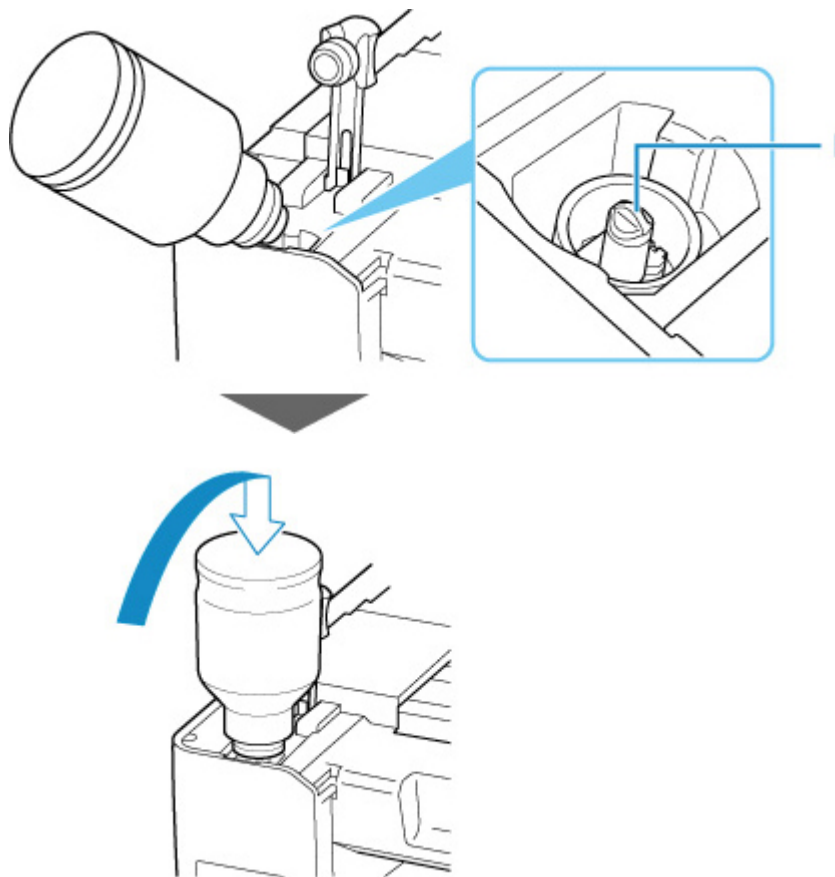
### 重要事项

- 请勿摇晃墨水瓶。打开瓶盖时，墨水可能会溅出。

### 5. 请再填充墨水盒。

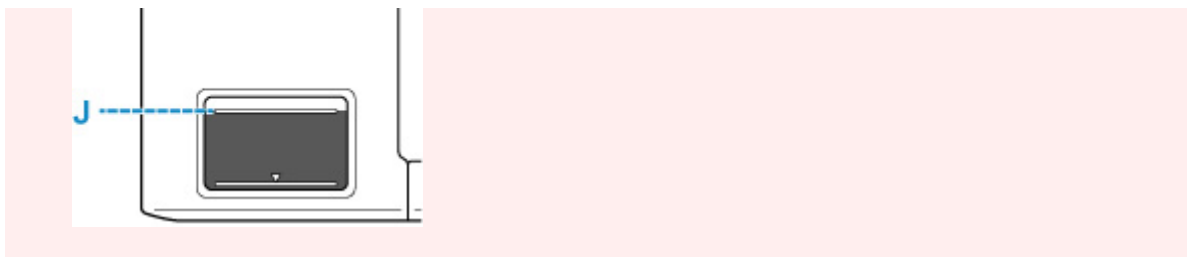
将墨水瓶尖口与墨水盒的注入口(I)对齐，慢慢倒立墨水瓶，将墨水瓶推入注入口。

墨水盒被再填充。用手支撑瓶子，防止其倒下。



### 重要事项

- 确保使用对应颜色的墨水瓶填充每种颜色的墨水盒。
- 如果墨水未注入墨水盒，请慢慢取出墨水瓶并重新插入。
- 再填充墨水盒时，请确保将墨水填充至墨水盒的上限线(J)。



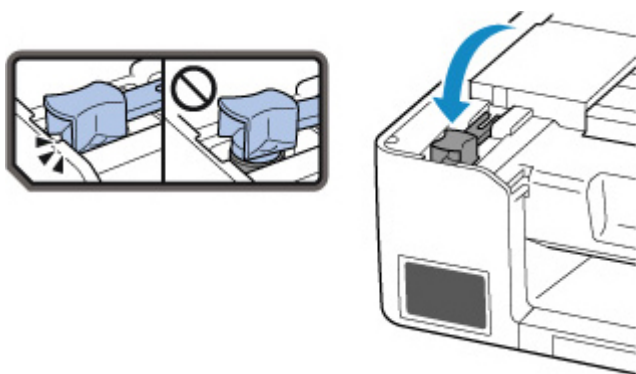
- 一旦墨水达到上限线的位置，从注入口取下墨水瓶。  
稍微抬起墨水瓶，然后慢慢将其倾斜，从注入口取下墨水瓶。

### 重要事项

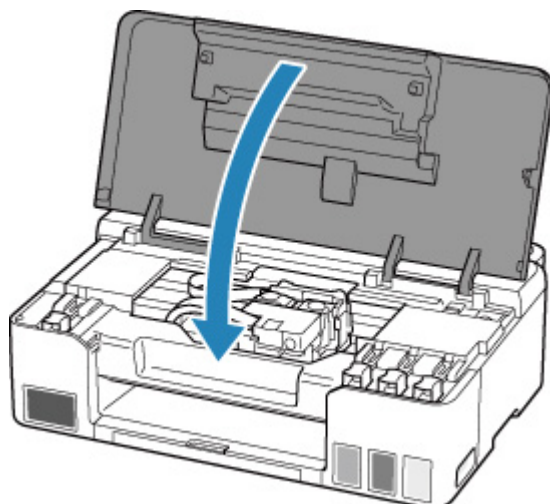
- 请勿将墨水瓶留在墨水盒中。
- 关紧墨水瓶的瓶盖，并将墨水瓶正立存放。

- 关闭墨水盒的墨水盒盖。

确保墨水盒盖完全插入。



- 关闭上盖。



### 注释

- 如果关闭上盖后，警告指示灯闪烁，请采取适当措施。

■ [出现错误时](#)

## 墨水瓶的注意事项

### 重要事项

- 请放置在孩童接触不到的地方。
- 请勿饮用墨水。
- 如果不慎舔到或吞入墨水，请漱口或者喝一或两杯水，然后立即就医。如果墨水进入眼睛，请立刻用水冲洗，然后立即就医。
- 如果皮肤上沾到墨水，请立即用肥皂和水清洗该部位。如果皮肤仍感到刺激，请立即就医。
- 存放墨水瓶时，请先完全合上瓶盖，然后将瓶身竖直放置。如果将墨水瓶放倒，墨水可能会漏出。
- 再填充墨水盒时，务必要防止墨水溅到四周。
- 墨水对衣服或其他物品造成的污染可能是永久性的。墨迹可能无法洗掉。
- 请勿将墨水瓶及瓶中的墨水用于除再填充 Canon 指定打印机墨水盒以外的其他用途。
- 请勿将墨水瓶置于靠近火源、加热器或车内等高温环境中。否则瓶子可能会变形，导致漏墨或影响墨水质量。
- 请勿使墨水瓶受到撞击。否则墨水瓶可能会损坏或者瓶盖可能会脱落，导致漏墨。
- 请勿将墨水转移到其他容器中。否则可能会导致误饮、使用不当或影响墨水质量。
- 请勿将墨水与水或其他墨水混合。这样可能会损坏打印机。
- 打开墨水瓶以后，请勿让瓶盖长时间处于打开的状态。否则墨水会变干，如果使用该墨水瓶再填充墨水盒，打印机可能无法正常工作。
- 为获得最佳打印质量，建议每年至少一次用墨水再填充墨水盒至不超过上限线。如果启用了通知剩余墨水量的功能，将墨水盒再填充至上限线之后需要重置剩余墨水量计算。

有关如何重置的详细资料，请参见[墨水量监控](#)。

### 注释

- 即使打印黑白文档或指定黑白打印时，也可能会消耗彩色墨水。为保持打印机性能而必须进行打印头标准清洗和打印头深度清洗时，也会消耗多种墨水。

墨水不足时，请立即再填充墨水。

#### ■ 墨水提示



## 检查墨水量

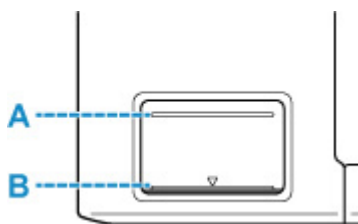
通过打印机正面的墨水盒指示检查墨水量。

墨水达到上限线(A)时，表示墨水已满。

墨水接近下限线(B)时，墨水量已不足。请再填充墨水盒。

### 注 释

- 要检查剩余墨水量，请目视检查墨水盒中的剩余墨水。



### 重 要 事 项

- 如果在剩余墨水量低于下限线后继续打印，则打印机可能会消耗一定量的墨水以返回到可打印状态。

### 注 释

- 本打印机具有通知剩余墨水量的功能，称为剩余墨水通知功能。如果在启用剩余墨水通知功能或发生了剩余墨水错误的情况下再填充墨水盒，请再填充墨水盒直至墨水达到上限线。如果墨水量未达到上限线，则无法正确检测剩余墨水量。

有关剩余墨水通知功能的详细资料，请参见以下内容。

#### ■ [墨水监控](#)

- 如果出现剩余墨水错误，警告指示灯将闪烁。

#### ■ [出现错误时](#)

- 从首次打印直到某种墨水达到墨水盒上所示的下限值期间，剩余墨水通知功能会运行。要使剩余墨水通知功能正确运行，必须在打印之前将打印机随附的相应颜色墨水瓶中的所有墨水填充到各个墨水盒中。首次填充后，如果在剩余墨水达到下限线之前对任一墨水盒进行再填充，则剩余墨水通知功能在准确度方面可能会出现严重误差。如果要在剩余墨水达到下限线之前对墨水盒进行再填充，请务必遵循手册中的步骤。
- 为了确保获得最佳打印质量并有效保护打印头，在打印机指示需要再填充墨水盒时墨水盒中仍会留有一定量的墨水。墨水瓶的估计打印页数不包括这部分墨水的打印页数。
- 墨水从墨水盒流到打印机内部。当开始使用打印机或搬运打印机后，由于此过程，墨水可能看起来消耗很快。

## 墨水提示

### 墨水如何用于打印之外的多种用途？

墨水可用于除打印外的其他用途。

在初始设置过程中，会使用随附墨水瓶中的部分墨水填充打印头喷嘴，以确保打印机做好打印准备。

因此，随附的一组墨水瓶的打印页数会少于后续几组墨水瓶的打印页数。

为保持打印机的性能，Canon 打印机将根据自身情况自动执行清洗。打印机执行清洗时，将消耗少量墨水。在这种情况下，可能消耗所有颜色的墨水。

#### [清洗功能]

清洗功能将帮助打印机从喷嘴吸取气泡或墨水本身，这样可以防止打印质量降低或喷嘴堵塞。

#### 重要事项

- 使用过的墨水将进入维护用墨盒。维护用墨盒已满时，需要更换。如果显示的信息提示维护用墨盒将满，请立即获取新的维护用墨盒。

■ [更换保养墨盒](#)

### 黑白打印是否使用彩色墨水？

根据打印纸张的类型或打印机驱动程序的设置，黑白打印可能会使用黑色墨水以外的墨水。因此，即使在<sup>1</sup>进行黑白打印时也会消耗彩色墨水。

同样，在打印头清洗过程中，即使指定使用黑色墨水进行清洗，消耗黑色墨水的同时也会消耗彩色墨水。

## 如果打印变得暗淡或不均匀

---

- ▶ 维护步骤
- ▶ 打印喷嘴检查图案
- ▶ 检查喷嘴检查图案
- ▶ 清洗打印头

## 维护步骤

如果打印结果模糊不清、打印颜色错误或对打印结果仍不满意(例如, 打印的格线未对齐), 请执行以下维护操作。

### 重要事项

- 请勿冲洗或擦拭打印头。否则可能造成打印头故障。

### 注释

- 检查墨水盒中是否还有剩余墨水。
  - [检查墨水量](#)
- 对于 Windows, 在打印机驱动程序设置中提高打印质量可能会改善打印结果。
  - [更改打印质量及修正图像数据](#)

## 打印结果模糊或不均匀时:

**步骤 1** 打印喷嘴检查图案。

从打印机

- [打印喷嘴检查图案](#)

从计算机

- 对于 Windows:
  - [打印喷嘴检查图案](#)
- 对于 macOS:
  - [打印喷嘴检查图案](#)

**步骤 2** [检查喷嘴检查图案](#)。

如果图案中有线条缺失或者水平白色条纹:



**步骤 3** 清洗打印头。

从打印机

- [清洗打印头](#)

从计算机

- 对于 Windows:
  - [清洗打印头](#)
- 对于 macOS:
  - [清洗打印头](#)

清洗打印头后, 打印并检查喷嘴检查图案: ➔ [步骤 1](#)

如果执行两次步骤 1 至步骤 3 后问题仍未解决:



#### 步骤 4 深度清洗打印头。

- 对于 Windows:
  - 清洗打印头
- 对于 macOS:
  - 清洗打印头

深度清洗打印头后，打印并检查喷嘴检查图案：➡ [步骤 1](#)

如果已执行至步骤 4 后问题仍未解决，关闭电源并在 24 小时后再次深度清洗打印头。

如果问题仍未解决，请执行墨水系统冲洗。

墨水系统冲洗会消耗大量墨水。频繁进行墨水系统冲洗会迅速消耗墨水，因此请仅在需要时执行冲洗。

#### 重要事项

- 如果在剩余墨水量不足时执行墨水系统冲洗，可能会造成故障。执行墨水系统冲洗前，请务必检查剩余墨水量。

#### 墨水系统冲洗

如果执行墨水系统冲洗后喷嘴检查图案仍未正确打印，请参见检查打印头安装。

### 打印结果不均匀(例如规则的线条未对齐)时:

#### 步骤 1 对齐打印头。

- 对于 Windows:
  - 调整打印头位置
- 对于 macOS:
  - 调整打印头位置

## 打印喷嘴检查图案

打印喷嘴检查图案以确定打印头喷嘴是否正常地喷出墨水。

### »» 注释

- 如果剩余墨水量不足，则不会正确打印喷嘴检查图案。如果剩余墨水量不足，请[再填充墨水盒](#)。

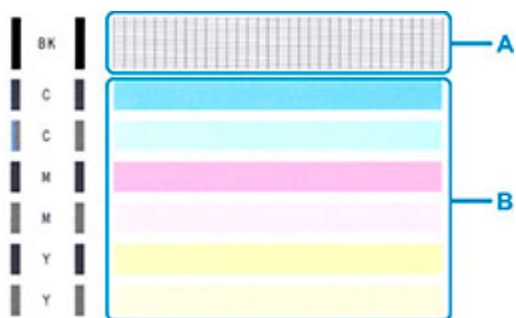
**需要准备：**一张 A4 或 Letter 尺寸的普通纸

1. [确认打印机是否已开启](#)。
2. 在后端托盘中装入一张 A4 或 Letter 尺寸的普通纸。
  - [装入普通纸/照片纸](#)
3. 按住**停止按钮**，并在**警告指示灯**闪烁 2 次后松开。  
将打印喷嘴检查图案。  
打印机完成喷嘴检查图案打印之前请勿执行任何其他操作。
4. [检查喷嘴检查图案](#)。

## 检查喷嘴检查图案

检查喷嘴检查图案，并在需要时清洗打印头。

检查图案 A 中是否有线条缺失或者图案 B 中是否有水平白色条纹。



如果图案 A 中有线条缺失：



C：良好

D：不正常(线条缺失)

如果图案 B 中有水平白色条纹：



E：良好

F：不正常(出现水平白色条纹)

如果图案 A 或图案 B 中的任何颜色均未打印：



如果适用于以上任一项，则需要[清洗打印头](#)。

## 清洗打印头

如果打印的喷嘴检查图案中线条缺失或出现水平白色条纹，请清洗打印头。清洗疏通喷嘴并恢复打印头状况。清洗打印头消耗墨水，因此请仅在需要时清洗打印头。

### 1. [确认打印机是否已开启。](#)

### 2. 按住**停止**按钮，并在**警告**指示灯闪烁一次后松开。

打印机开始清洗打印头。

当**电源**指示灯闪烁然后亮起时，表示清洗已完成。

打印机完成打印头清洗之前请勿执行任何其他操作。此过程大约需要 1 分钟。

### 3. 检查打印头状况。

要检查打印头状况，请[打印喷嘴检查图案](#)。

## ►► 注释

- 如果清洗打印头两次后问题仍未解决，请深度清洗打印头。

- 清洗打印头 (Windows)

- 清洗打印头 (macOS)



## 清洁

---

- ▶ 清洁外部表面
- ▶ 清洁进纸滚轴
- ▶ 清洁打印机内部(底板清洁)

## 清洁进纸滚轴

如果进纸滚轴脏污或沾有纸屑，则可能不会正确送入纸张。

在这种情况下，清洁进纸滚轴。

**需要准备：三张 A4 或 Letter 尺寸普通纸**

### 1. [确认打印机是否已开启。](#)

2. 从后端托盘取出所有纸张。

3. 清洁没有纸张的进纸滚轴。

按住**停止**按钮，并在**警告**指示灯闪烁 3 次后松开。

无纸清洁时，进纸滚轴会转动。

4. 清洁带有纸张的进纸滚轴。

1. 确保进纸滚轴停止旋转，然后在后端托盘中装入三张 A4 或 Letter 尺寸普通纸。

#### ■ [装入普通纸/照片纸](#)

2. 按住**停止**按钮，并在**警告**指示灯闪烁 3 次后松开。

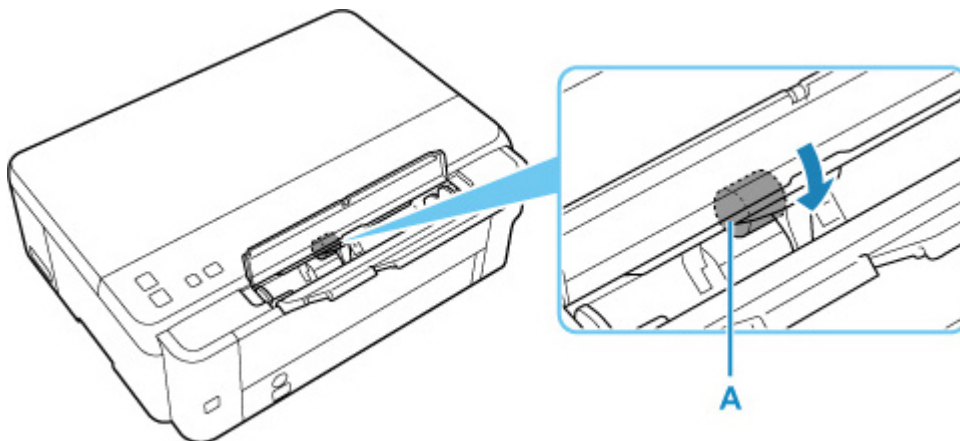
打印机开始清洁。纸张弹出时，清洁完成。

如果上述操作之后问题仍未解决，请执行以下操作。

1. 关闭电源，然后拔出电源线。

2. 将后端托盘中的进纸滚轴(A)滚动两圈以上，同时使其用浸湿后用力拧干的抹布擦拭。

请勿用手指触摸进纸滚轴。可能降低进纸性能。



3. 打开电源，然后再次清洁进纸滚轴。

如果清洁进纸滚轴后问题仍未解决，请联系最近的 Canon 服务中心进行维修。

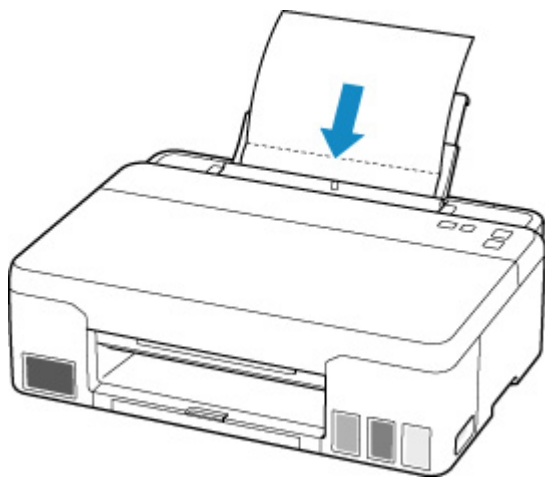
## 清洁打印机内部(底板清洁)

从打印机内部擦除污迹。如果打印机内部脏污，可能会弄脏打印的纸张，因此建议定期执行清洁。

**需要准备：一张 A4 或 Letter 尺寸的普通纸\***

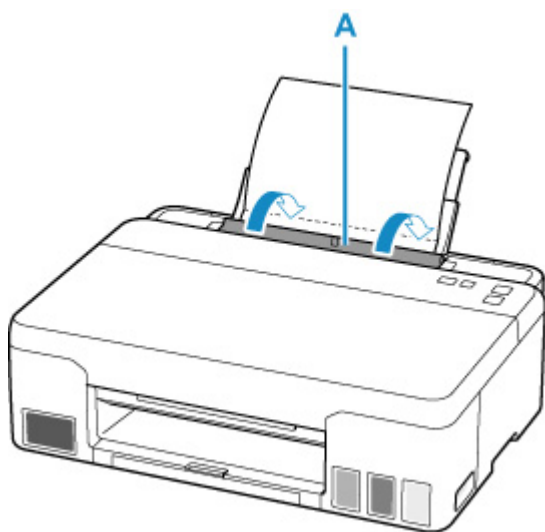
\* 务必使用一张新纸。

1. 确保电源已开启，然后从后端托盘中取出所有纸张。
2. 准备纸张。
  1. 将一张 A4 或 Letter 尺寸的普通纸横向对折，然后打开纸张。
  2. 将开口面向自己，在后端托盘中仅装入该纸张。

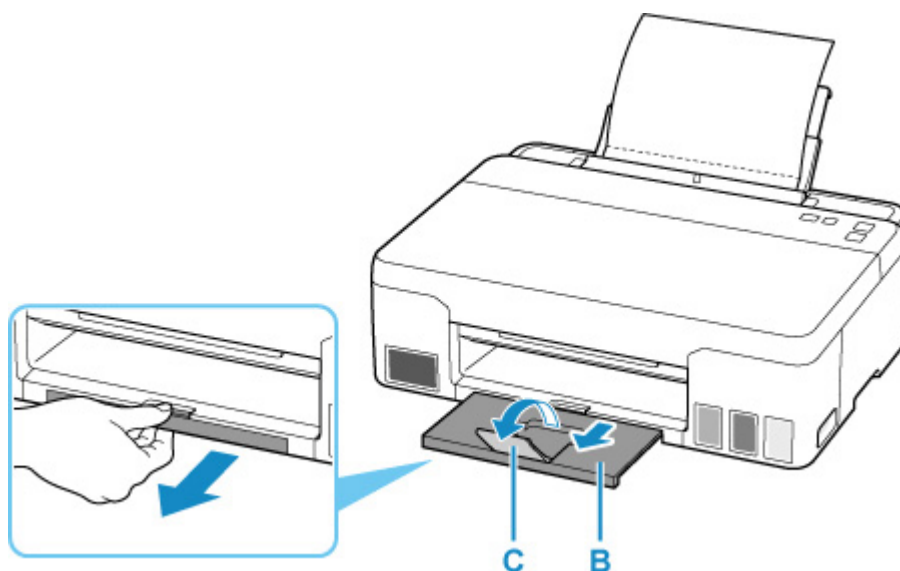


如果闪烁的**纸张**指示灯和后端托盘中装入的纸张尺寸不同，请按**纸张选择**按钮进行切换。

3. 轻轻关闭进纸插槽盖板(A)。



4. 拉出出纸托盘(B)，然后打开出纸托盘扩展架(C)。



### 3. 按住停止按钮，并在警告指示灯闪烁 4 次后松开。

纸张送入打印机时将清洁打印机内部。

检查已输出纸张的折叠部分。如果被墨水弄脏，请再次执行底板清洁。

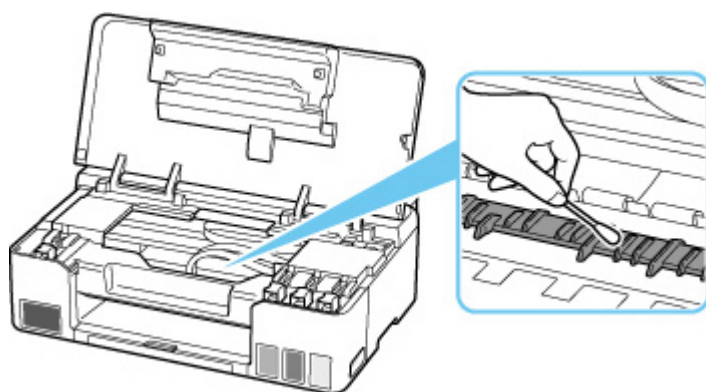
#### ►► 注释

- 再次执行底板清洁时，务必使用一张新纸。

如果再次执行清洁后问题仍未解决，打印机内部的突出部分可能已脏污。使用棉签或类似物品将突出部分的所有墨水擦拭干净。

#### ►► 重要事项

- 清洁打印机前，请先将其关闭并拔出插头。



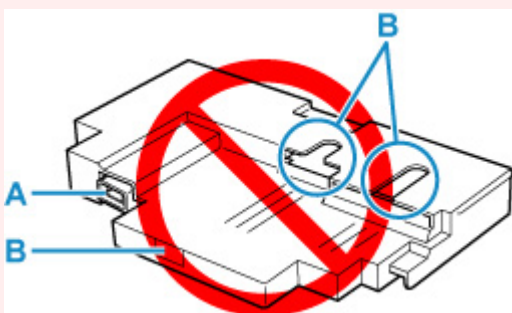
## 更换保养墨盒

出现保养墨盒警告或错误时，打印机的警告指示灯闪烁，并且计算机屏幕上会显示一条信息。检查警告指示灯状态和信息，并采取适当措施解决错误。

### ■ 出现错误时

### ▶▶▶ 重要事项

- 如果显示的信息提示维护用墨盒将满，请立即获取新的维护用墨盒。如果维护用墨盒已满，将显示一条错误信息并且打印机将停止工作，直至更换了新的维护用墨盒。
- 请勿触摸保养墨盒的端子(A)或开口(B)。



### ▶▶▶ 注释

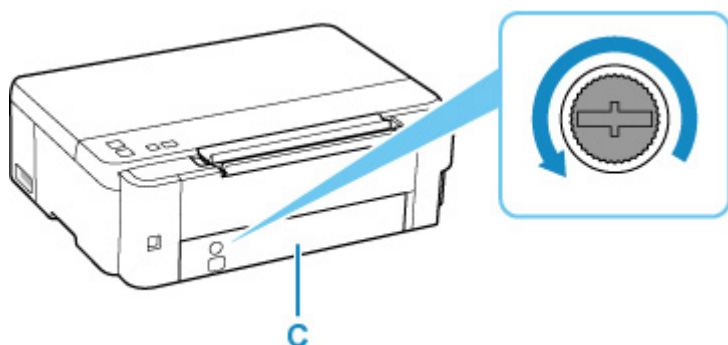
- 购买新的维护用墨盒时，请订购以下墨盒型号。  
保养墨盒 MC-G02

#### 1. 准备一个新的保养墨盒。

从包装中取出保养墨盒和随附的塑料袋子。

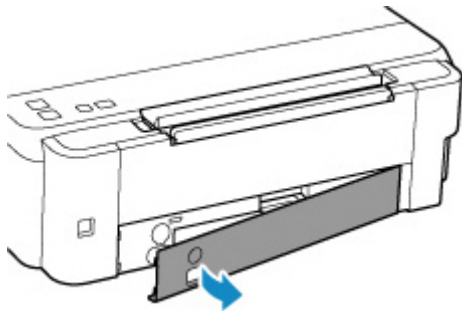
#### 2. [关闭打印机。](#)

#### 3. 拧开保养墨盒盖(C)上的螺丝。

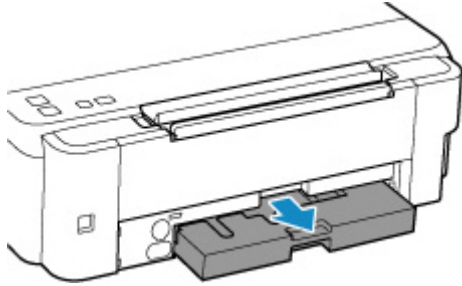


#### 4. 取下保养墨盒盖。

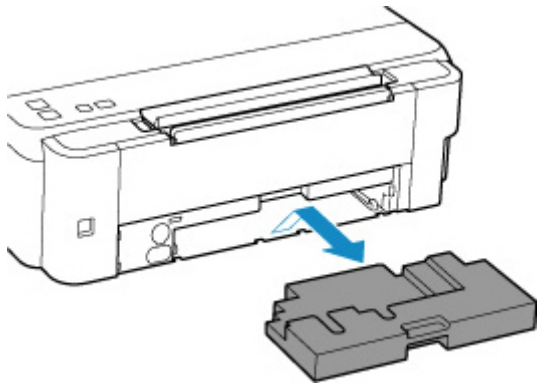
将手指放在保养墨盒盖的圆孔上将其取下。



5. 将保养墨盒拉出到位。

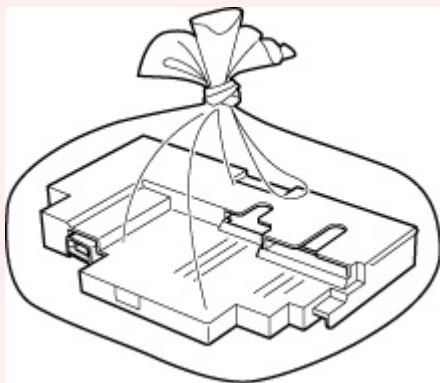


6. 稍微提起保养墨盒并将其拉出。



### 重要事项

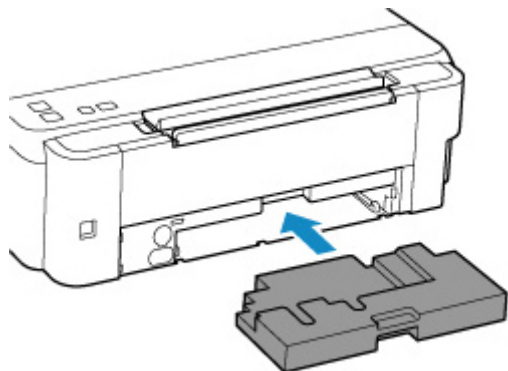
- 注意不要让取下的保养墨盒掉落或将其放在桌子或其他物品上。底部的污垢可能会粘附在上面，或者里面的墨水可能会溅出。
- 立即将用过的墨盒放入新保养墨盒随附的塑料袋子里，将袋口系紧，将袋口系紧以防止墨水泄漏。



- 请勿将手放入打印机内，因为墨水可能会粘附在手上。

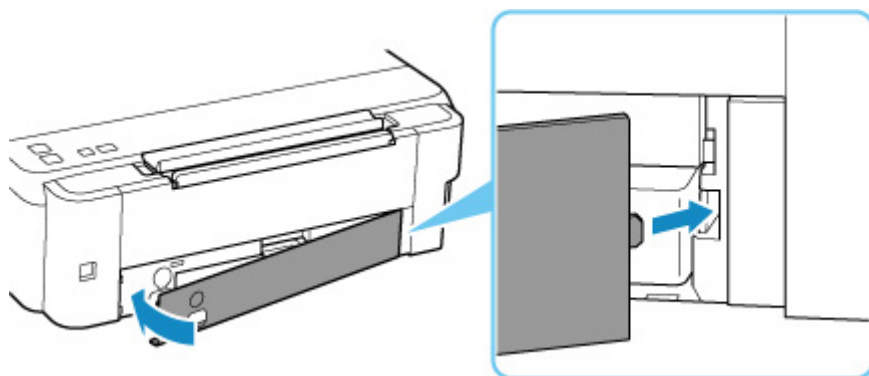
- 请遵照当地的法规弃置取出的保养墨盒。

7. 平直插入新的保养墨盒，直至其卡入到位。

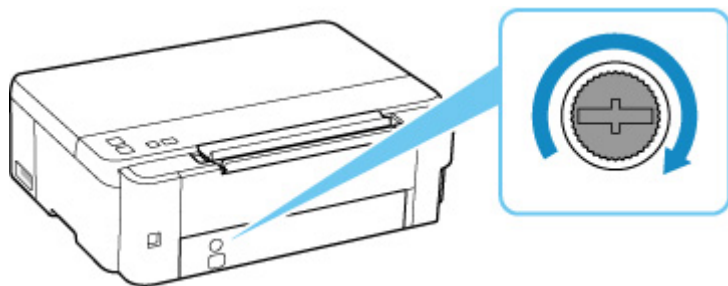


8. 安装保养墨盒盖。

将保养墨盒盖背面的凸出部分与打印机上的孔对齐，然后将其关闭。



9. 将螺丝插入螺丝孔，然后顺时针方向拧紧。



10. [开启打印机。](#)

## 概述

---

### ▶ 安全相关

- 安全注意事项
- 法规信息
- WEEE (EU & EEA)

### ▶ 使用注意事项

- 取消打印作业
- 打印的法律限制
- 打印机使用注意事项
- 运输打印机
- 修理、外借或处置打印机时
- 保持高打印质量

### ▶ 主要部件和使用方法

- 主要部件
- 电源供应

### ▶ 更改设置

- 从计算机中更改打印机设置(Windows)
- 从计算机中更改打印机设置(macOS)
- 从操作面板更改设置

### ▶ 规格



## 安全相关

---

- ▶ 安全注意事项
- ▶ 法规信息
- ▶ WEEE (EU&EEA)

## 安全注意事项

### 安全注意事项

- 本手册包含打印机的重要通知和安全注意事项。  
请勿以随附手册中所述之外的方式使用本打印机，否则可能会导致火灾、触电或其他意外事故。  
安全标准标志和声明仅适用于适用国家或地区所支持的电压和频率。

### 警告

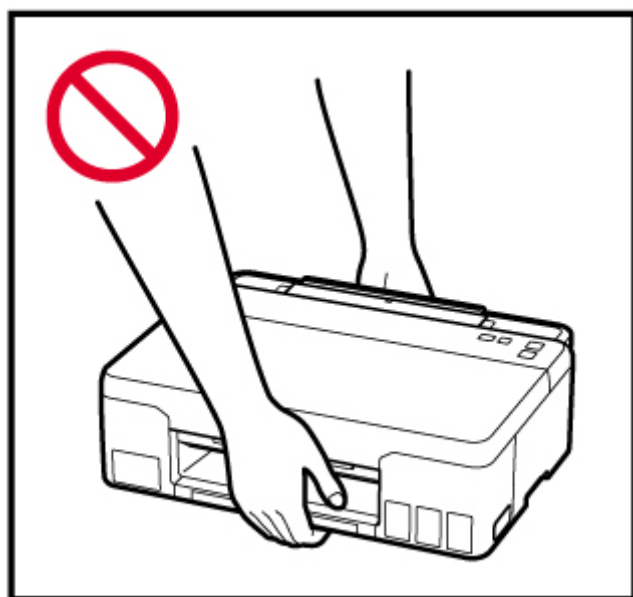
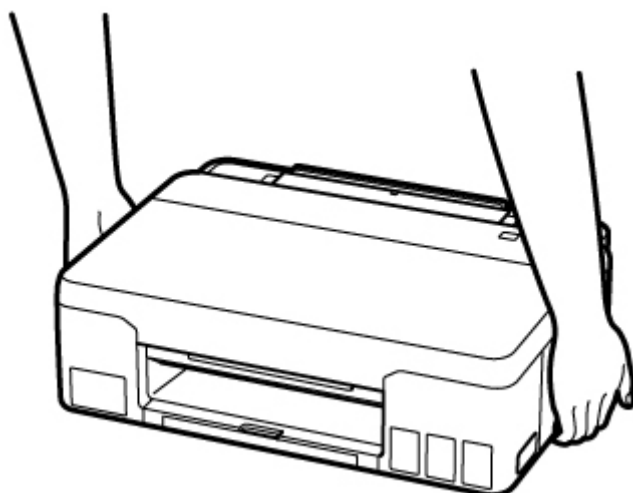
- 下列情况下请勿使用打印机：  
请立即停止使用，拔掉打印机电源并联系当地的服务代表以请求维修。
  - 金属物体或液体溅入打印机内部。
  - 打印机发出烟雾、异味，或产生不寻常的噪音。
  - 电源线或插头过热或者破损、弯曲或以任何方式损坏。
- 不遵守下列事项可能会导致火灾、触电或受伤：
  - 请勿将产品置于易燃溶剂（如酒精或稀释剂）附近。
  - 请勿打开或改装打印机。
  - 仅可使用打印机随附的电源线/电缆。请勿将这些电缆与其他设备一同使用。
  - 请勿插入指定电压或频率以外的电压或频率。
  - 将电源线完全插入插座。
  - 请勿用湿手插拔电源线。
  - 请勿扭曲、捆扎、捆绑、拉扯或过度弯曲从而损坏电源线。
  - 请勿在电源线上放置重物。
  - 请勿将多条电源线连接至单个电源插座。请勿使用多条延长线。
  - 雷雨天气时，请拔掉打印机插头。
  - 清洗时，请务必拔掉电源线和电缆。请勿使用如酒精或稀释剂等易燃喷雾或液体进行清洗。
  - 每月拔下一次电源线，检查其是否过热、锈蚀、弯曲、划伤、裂开或损坏。

### 注意

- 打印时请勿将手置于打印机内。
- 打印后请勿立即触摸打印头的金属部分。
- 墨水瓶
  - 请放置在孩童接触不到的地方。
  - 请勿饮用墨水。  
如果不慎舔到或吞入墨水，请漱口或者喝一或两杯水，然后立即就医。  
如果墨水进入眼睛，请立刻用水冲洗，然后立即就医。
  - 如果皮肤上沾到墨水，请立即用肥皂和水清洗该部位。如果皮肤仍感到刺激，请立即就医。
  - 存放墨水瓶时，请先完全合上瓶盖，然后将瓶身竖直放置。如果将墨水瓶放倒，墨水可能会漏出。
  - 再填充墨水盒时，务必要防止墨水溅到四周。
  - 墨水对衣服或其他物品造成的污染可能是永久性的。清洗可能无法去除墨迹。
  - 请勿将墨水瓶置于靠近火源、加热器或车内等高温环境中。否则瓶子可能会变形，导致漏墨或影响墨水质量。
  - 请勿使墨水瓶受到撞击。否则墨水瓶可能会损坏或者瓶盖可能会脱落，导致漏墨。
  - 请勿将墨水转移到其他容器中。否则可能会导致误饮、使用不当或影响墨水质量。

• 移动打印机

- 请握住打印机的两侧，并用双手搬运。



## 一般通知

### 请选择位置

请参阅在线手册中的“规格”了解关于操作环境的详情。

- 请勿将打印机安装在不稳定或易受到剧烈振动的地方。
- 请勿将打印机安装在温度过高（阳光直射或靠近热源处）、非常潮湿或多尘的地方或者户外。
- 请勿将打印机放置于厚垫或地毯上。
- 请勿将打印机靠墙齐平放置。

### 电源

- 必须始终保持电源插座周围的区域清洁，以便在必要时可轻松拔下电源线。
- 切勿以拉扯电源线的方式拔下插头。

## 一般通知

- 请勿将打印机倾斜、侧置或者倒置。这可能会导致墨水泄漏。
- 请勿在打印机上方放置任何物品。请特别注意，避免使用如回形针和订书钉等金属物体，以及盛装如酒精或稀释剂等易燃液体的容器。
- 对打印头或墨水瓶进行改装或拆卸，例如在上面钻孔，可能会导致墨水泄漏并导致故障。我们建议您不要对其进行改装或拆卸。
- 请勿将打印头或墨水瓶置于火中。

## 法规信息

---

### 干扰

请勿在医疗设备或其他电子设备附近使用打印机。来自打印机的信号可能会干扰这些设备的正确运行。

## WEEE (EU&EEA)

---

此规定仅适用于欧盟和 EEA（挪威、冰岛和列支敦士登）。  
此处没有通知信息。

## 使用注意事项

---

- ▶ 取消打印作业
- ▶ 打印的法律限制
- ▶ 打印机使用注意事项
- ▶ 运输打印机
- ▶ 修理、外借或处置打印机时
- ▶ 保持高打印质量

## 打印的法律限制

---

打印或修改以下复印件可能会受到法律的制裁。

此列表为不完全清单。如有疑问，请咨询法律代表。

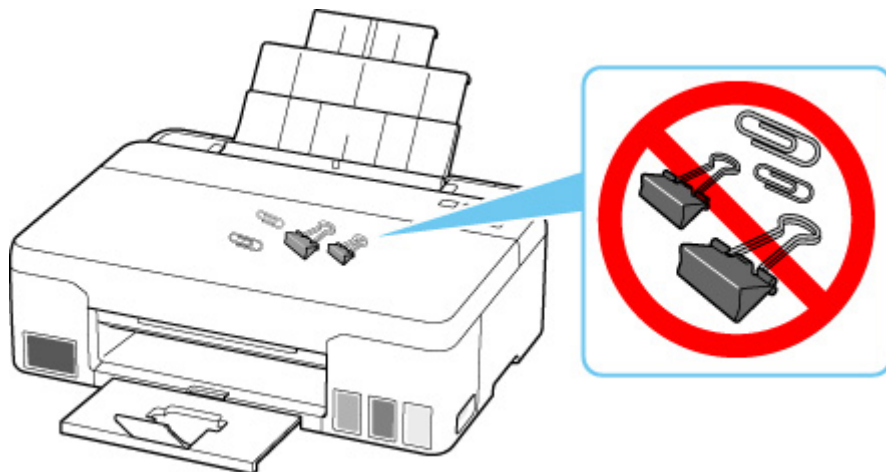
- 纸币
- 汇票
- 存款单
- 邮票(盖戳或未盖戳的)
- 身份识别卡或标志
- 义务兵役或征兵证件
- 政府机构签发的支票或汇票
- 机动车驾照和所有权证书
- 旅行支票
- 食品券
- 护照
- 移民证件
- 国内税收印花税票(盖戳或未盖戳的)
- 债券或其他债务凭证
- 股票
- 未经所有者许可的版权著作或艺术作品



## 打印机使用注意事项

### 请勿将任何物品放置在上盖上！

请勿将任何物品放置在上盖上。否则在上盖打开时物品会落入后端托盘中，从而造成打印机出现故障。此外，请将打印机放置在不会有物品掉落的地方。



## 运输打印机

因搬家或维修需要重新放置打印机时，请确保下列情况。

### 重要事项

- 请勿取出墨水盒中的墨水。
- 检查墨水盒盖是否已完全插入。
- 准备运输安装了打印头的打印机。该功能可以使打印机自动盖上打印头，以防止其变干。
- 请勿取下打印头。墨水可能会漏出。
- 如果墨水污染打印机内部，请用浸湿的软布擦拭。
- 运输打印机时，请将打印机装入塑料袋，避免墨水漏出。
- 将打印机包装在坚固的箱子中，使其底部向下放置，使用充足的保护材料，以确保打印机运输安全。
- 请勿倾斜打印机。墨水可能会漏出。
- 运输代理商运输打印机时，请在包装箱上标明“此面向上”，以使打印机保持底部向下。同时在包装箱上标明“易碎”或“小心轻放”。



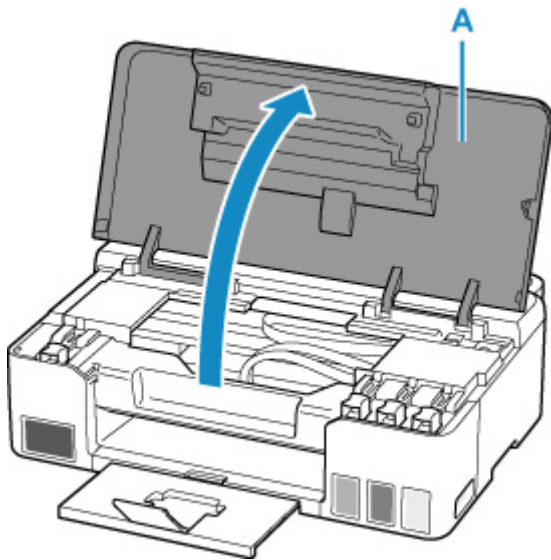
- 请小心轻放，确保箱体水平放置，不可倒置或侧放，否则打印机可能会损坏，并且打印机中的墨水可能会漏出。

1. 关闭打印机。
2. 确认电源指示灯已熄灭并拔出电源线。

### 重要事项

- 请勿在电源指示灯亮起或闪烁时拔出打印机插头，否则可能会造成打印机故障或损坏，以致打印机无法打印。

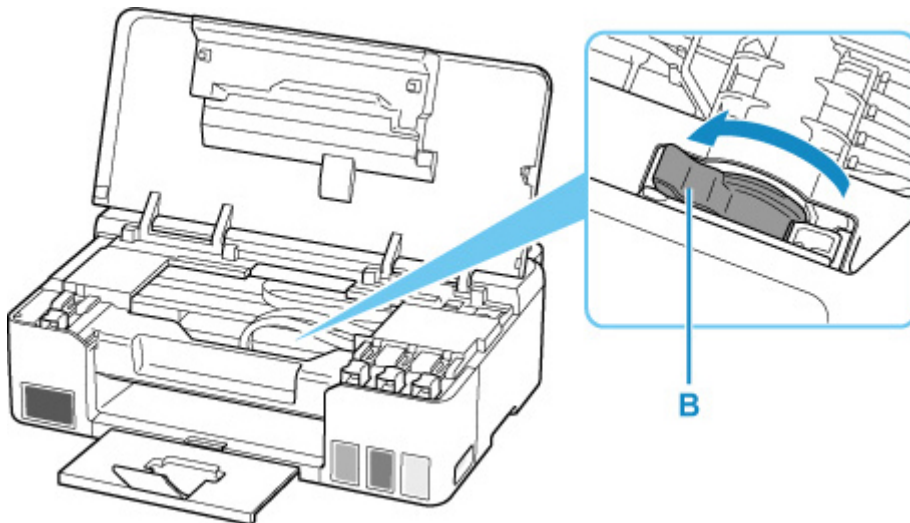
3. 打开上盖(A)。



**重要事项**

- 请勿触摸打印机内部的导管或其他部件。否则可能造成打印机故障。

4. 将墨水阀控制杆(B)转至左侧。

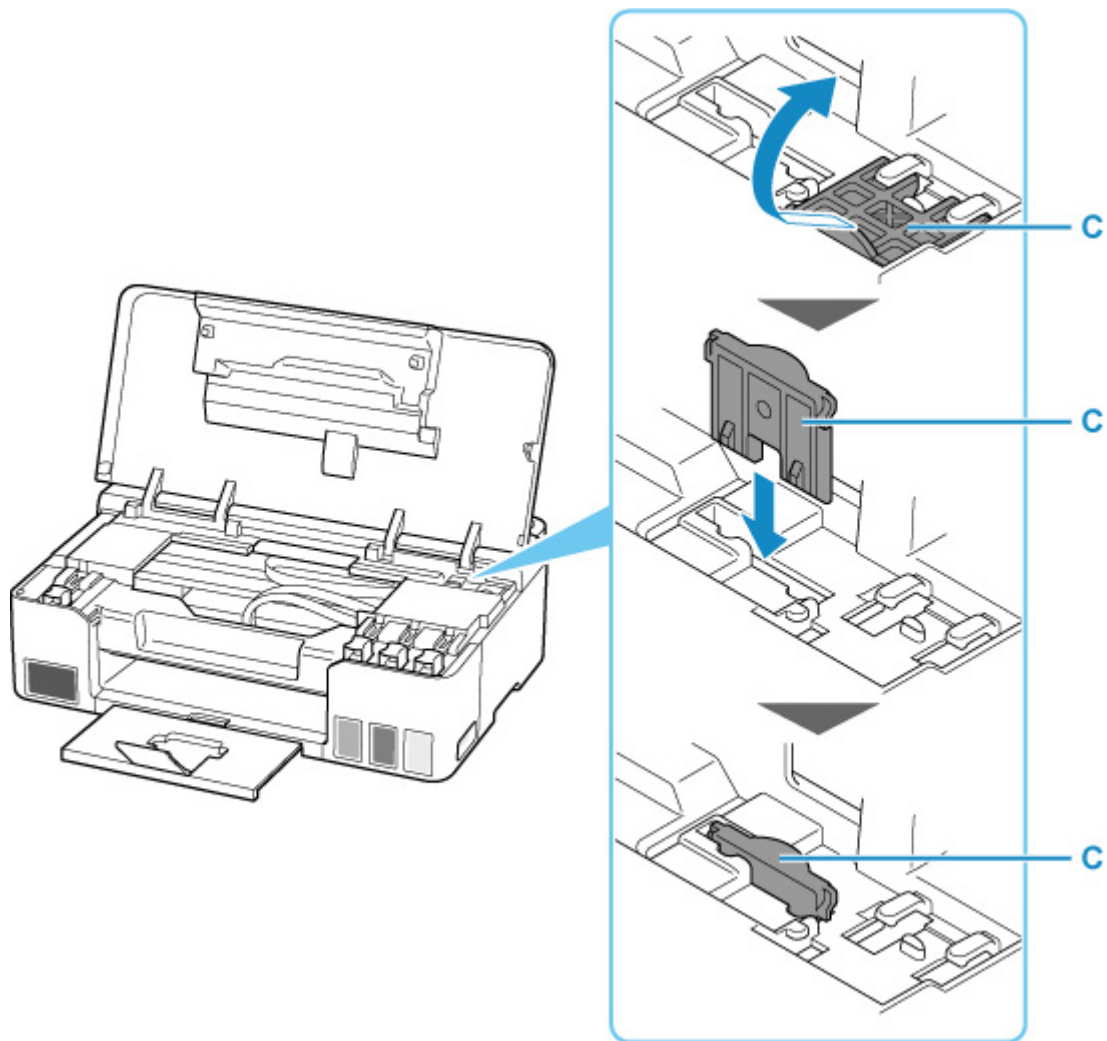


**重要事项**

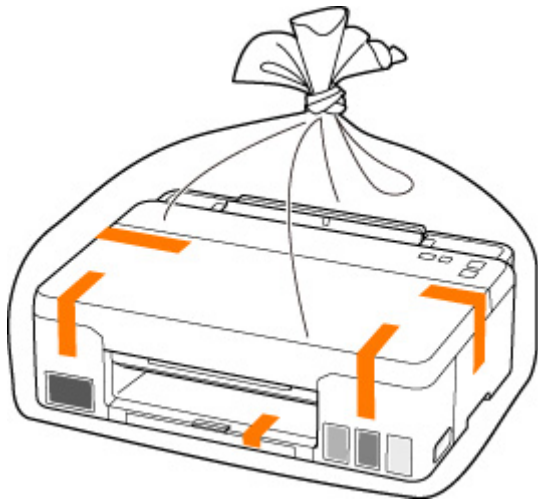
- 打印机内部可能会被墨水弄脏。请小心不要弄脏衣服和手。

5. 取下托架止动器(C)，然后将其完全插入打印机侧面的孔中。

向前并向上拉托架止动器，按原方向将其插入。



6. 关闭上盖。
7. 收回出纸托盘扩展架和出纸托盘。
8. 收回靠纸架。
9. 从计算机和打印机拔出打印机电缆线，然后从打印机拔出电源线。
10. 用粘贴胶带固定打印机上的所有盖板，以防在运输过程中打开。然后用塑料袋包装打印机。合上袋口并用胶带等密封，以防止漏墨。



11. 将打印机装入包装箱时，用保护材料包装打印机。

### 重要事项

- 运输打印机后，取下托架止动器，将其放回原位，将墨水阀控制杆转至右侧，然后开启打印机。

## 修理、外借或处置打印机时

---

如果已在打印机上输入个人数据、密码和/或其他安全设置，这些信息可能会存入打印机。

因修理打印机，将打印机外借或转交给他人或对其进行处置而移动打印机时，请确保按以下步骤删除这些信息，并防止第三方访问这些信息。

- 按住**停止**按钮，并在**警告**指示灯闪烁 11 次后松开。

## 保持高打印质量

获得最佳打印质量的关键在于防止打印头变干或堵塞。务必注意以下规则以获得最佳打印质量。

### »» 注释

- 根据纸张类型，如果打印区域被荧光笔或画笔涂画过，则墨水可能会模糊；如果打印区域接触到水或汗渍，则墨水可能会渗出。

### 电源关闭前请勿拔出电源线！

如果按**电源**按钮关闭电源，打印机会自动盖上打印头(喷嘴)以防止干涸。如果在**电源**指示灯熄灭前从壁装电源插座拔出电源线，则无法正确盖住打印头，从而造成打印头变干或阻塞。

[拔出电源线](#)时，确认**电源**指示灯未亮起。

### 定期打印！

如果毡头笔长时间未使用，即使已盖上笔帽笔头也会变得干涸而无法使用。同样的道理，如果打印机长时间未使用，打印头可能也会干涸或堵塞。建议每月至少使用一次打印机。

## 主要部件和使用方法

---

- ▶ 主要部件
- ▶ 电源供应

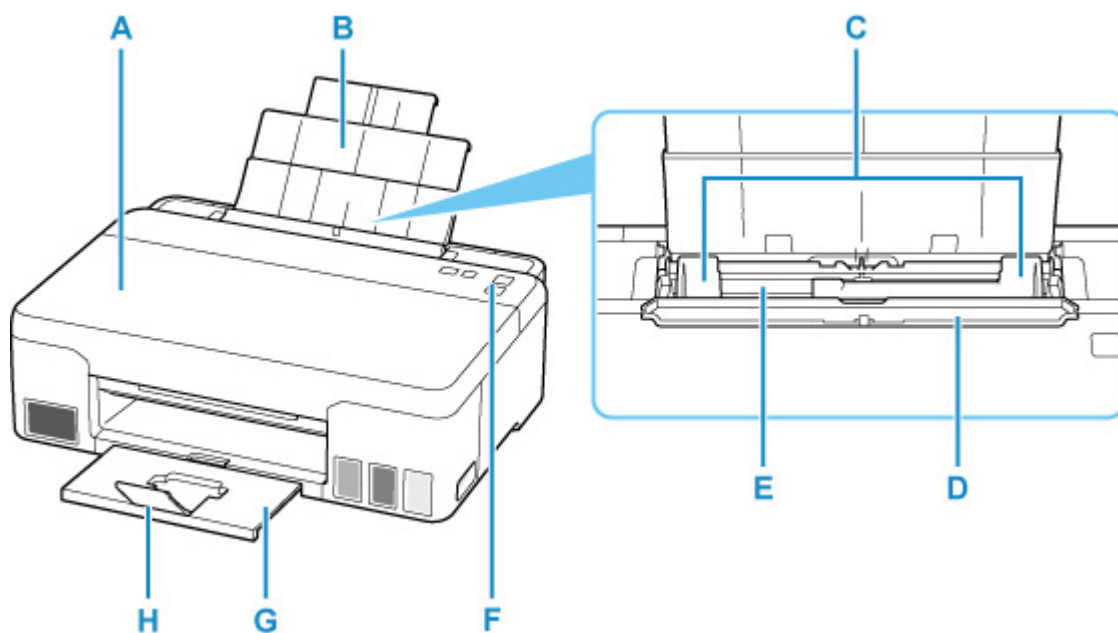


## 主要部件

---

- ▶ 前视图
- ▶ 后视图
- ▶ 内部视图
- ▶ 操作面板

## 前视图



### A: 上盖

打开可再填充墨水盒和取出卡纸。

### B: 靠纸架

拉出以在后端托盘中装入纸张。

### C: 纸张导片

对齐纸叠的两侧。

### D: 进纸插槽盖板

防止任何物品落入进纸插槽。

打开可以移动纸张导片，打印前请将其关闭。

### E: 后端托盘

请在此处装入纸张。可以同时装入两张或更多相同尺寸和类型的纸张，并且每次自动送入一张。

#### ■ 装入普通纸/照片纸

### F: 操作面板

用以更改打印机设置或操作打印机。

#### ■ 操作面板

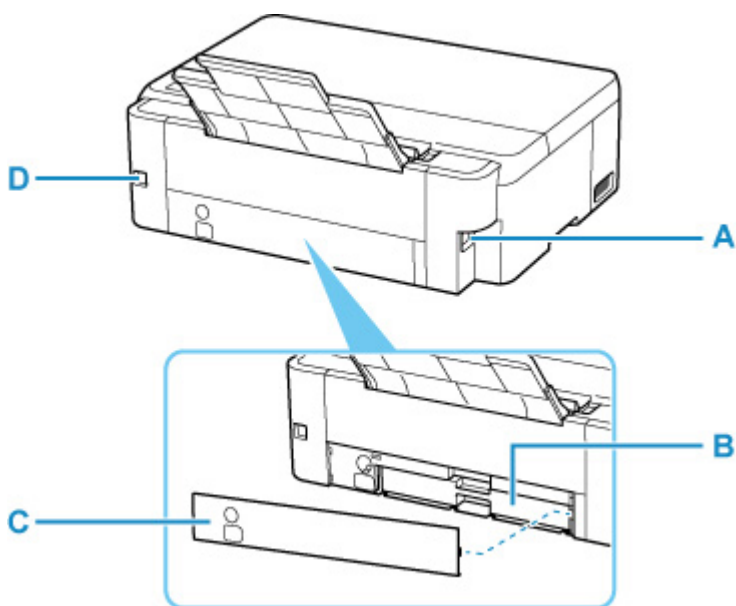
### G: 出纸托盘

输出已打印的纸张。打印前将其拉出。

### H: 出纸托盘扩展架

打开以承托输出纸张。

## 后视图



### A: 电源线连接器

插入附带的电源线。

### B: 保养墨盒

吸收用于清洁的墨水。

### »» 注释

- 有关如何更换保养墨盒的详细资料，请参见[更换保养墨盒](#)。

### C: 保养墨盒盖

更换维护用墨盒时将其打开。

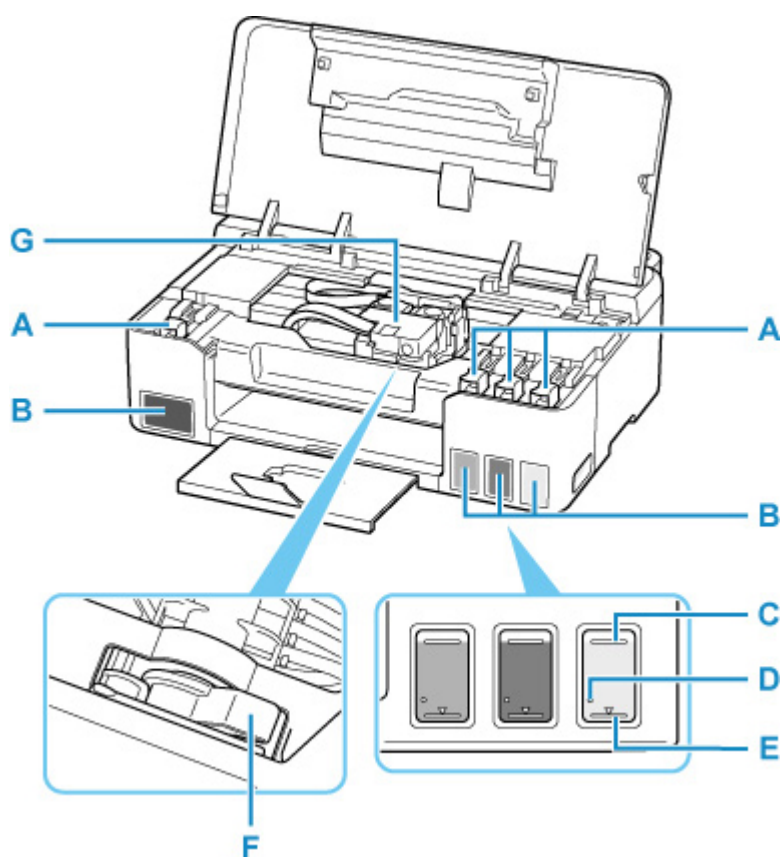
### D: USB 端口

插入 USB 电缆线以连接打印机和计算机。

### »»» 重要事项

- 请勿触摸金属外壳。
- 打印机正在通过计算机打印时，请勿插入或拔出 USB 电缆线。否则可能会造成故障。

## 内部视图



### A: 墨水盒盖

打开以再填充墨水盒。

### B: 墨水盒

黑色墨水盒在左侧，彩色墨水盒(青色、品红色和黄色)在右侧。

如果任一墨水量不足，请再填充相应的墨水盒。

#### ■ 再填充墨水盒

### C: 上限线

指示墨水的最大容量。

### D: 单点

指示执行墨水系统冲洗时所需的墨水量。

### E: 下限线

指示能够维持打印的墨水量下限。请在墨水量低于此线之前再填充墨水盒。

### F: 墨水阀控制杆

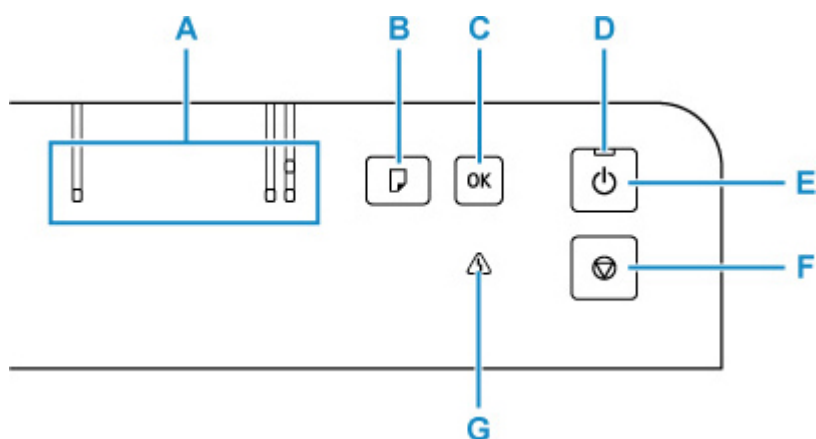
运输打印机时操作。

#### ■ 运输打印机

### G: 打印头固定器

打印头是预先安装的。

## 操作面板



### A: 纸张指示灯

根据当前的纸张尺寸亮起。

### B: 纸张选择按钮

按下以切换纸张尺寸。

### C: OK 按钮

确认纸张尺寸。也可用于解决错误。

### D: 电源指示灯

电源开启时，闪烁后亮起。

### E: 电源按钮

打开或关闭电源。

### ■ [开启和关闭打印机](#)

### F: 停止按钮

打印过程中或正在选择菜单项目时取消操作。

### G: 警告指示灯

发生错误时亮起或闪烁。

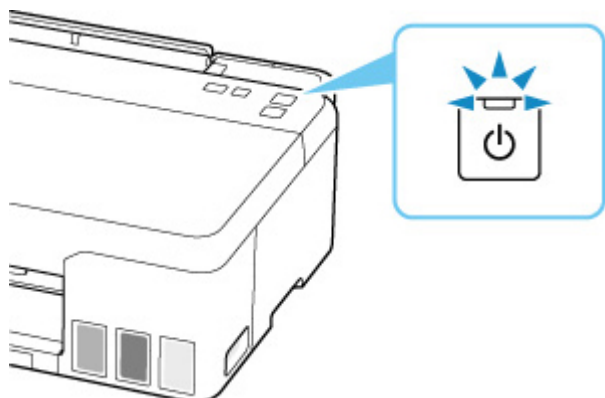
## 电源供应

---

- ▶ 确认电源已开启
- ▶ 开启和关闭打印机
- ▶ 检查电源插头/电源线
- ▶ 拔出打印机插头

## 确认电源已开启

打印机开启时，电源指示灯亮起。



### 注釋

- 开启打印机后，打印机可能需要一段时间才能立即开始打印。

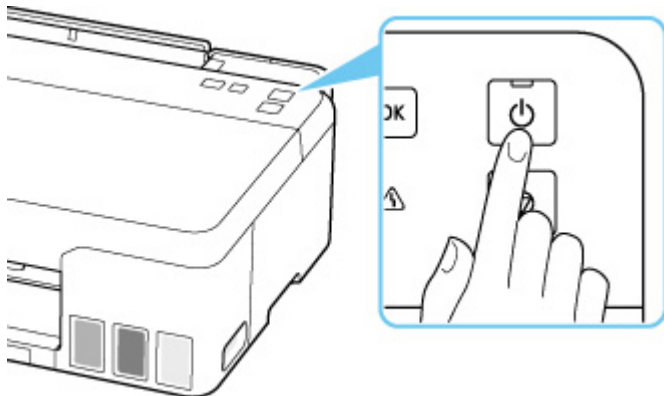
## 开启和关闭打印机

### 开启打印机

按电源按钮开启打印机。

电源指示灯闪烁，然后持续亮起。

#### ■ 确认电源已开启



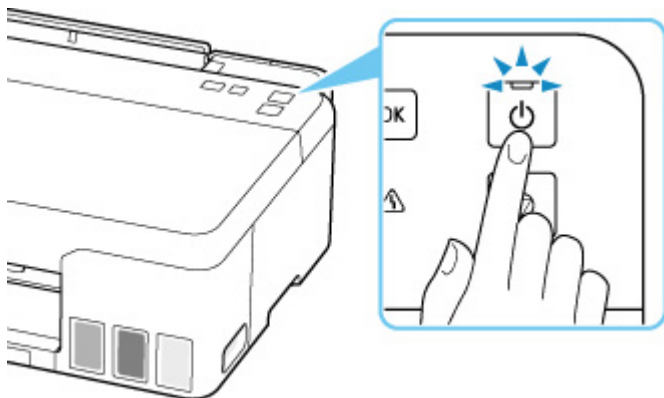
#### ▶▶▶ 注释

- 开启打印机后，打印机可能需要一段时间才能立即开始打印。
- 如果警告指示灯亮起或闪烁，请参见[出现错误时](#)。
- 从计算机执行打印操作时，可以将打印机设置为自动开启。此功能默认设置为关闭。
  - 对于 Windows：
    - [管理打印机电源](#)
  - 对于 macOS：
    - [管理打印机电源](#)

### 关闭打印机

按电源按钮关闭打印机。

电源指示灯停止闪烁时，打印机关闭。





## 重要事项

- 关闭打印机后[拔出电源线](#)时，请务必确认**电源**指示灯已熄灭。

## 注释

- 可以设置打印机在一定间隔时间中未执行操作或无打印作业发送至打印机时自动关闭。此功能默认设置为开启。
  - 对于 Windows：
    - [管理打印机电源](#)
  - 对于 macOS：
    - [管理打印机电源](#)

## 检查电源插头/电源线

---

每月拔出电源线一次以确认电源插头/电源线没有任何下列异常。

- 电源插头/电源线过热。
- 电源插头/电源线生锈。
- 电源插头/电源线弯曲。
- 电源插头/电源线磨损。
- 电源插头/电源线破裂。

### 注意

- 如果发现电源插头/电源线有任何上述异常，请[拔出电源线](#)并联系服务中心。在上述任一异常情况下使用打印机可能造成火灾或触电。
-

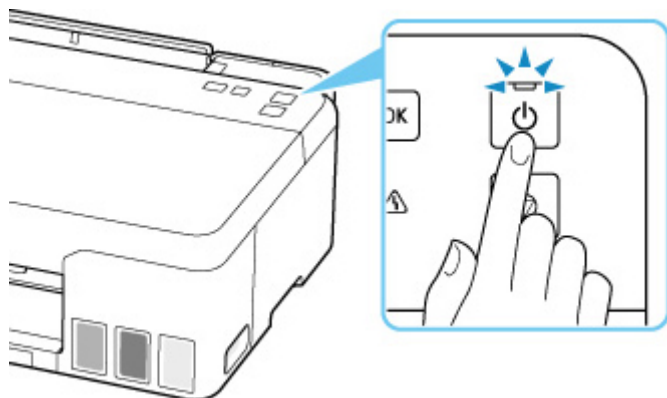
## 拔出打印机插头

要拔出电源线，请按照以下步骤操作。

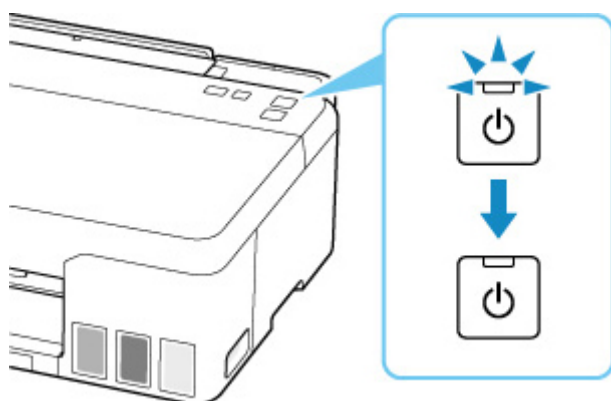
### 重要事项

- 拔出电源线时，按**电源**按钮，然后确认**电源**指示灯已熄灭。在**电源**指示灯亮起或闪烁时拔出电源线，可能会导致打印头干涸或堵塞，打印质量可能会降低。

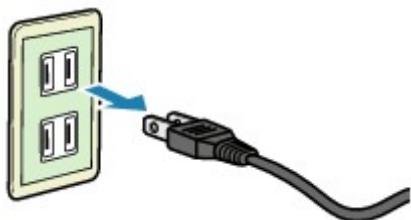
#### 1. 按**电源**按钮关闭打印机。



#### 2. 确认**电源**指示灯已熄灭。



#### 3. 拔出电源线。



根据使用本机所在的国家或地区的不同，电源线的规格也不同。

## 更改设置

---

- ▶ [从计算机中更改打印机设置\(Windows\)](#)
- ▶ [从计算机中更改打印机设置\(macOS\)](#)
- ▶ [从操作面板更改设置](#)

## 从计算机中更改打印机设置(Windows)

---

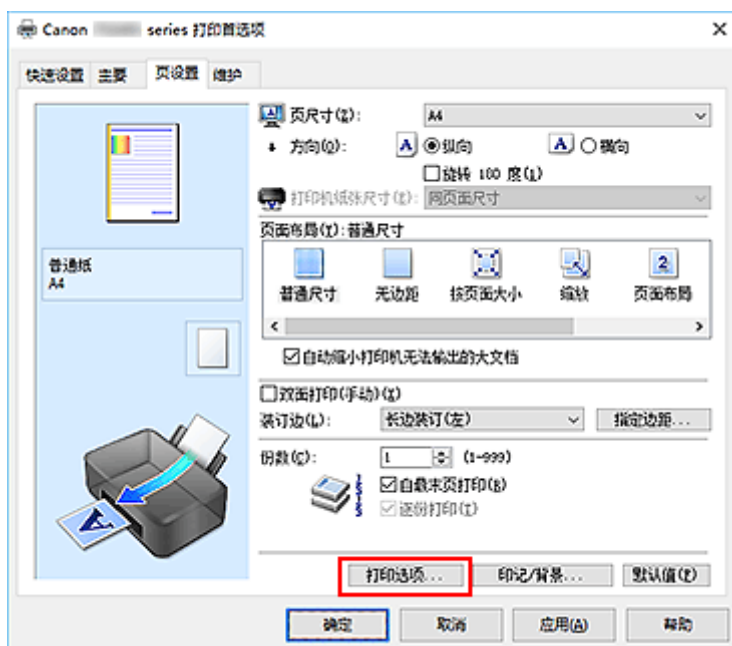
- ▶ 更改打印选项
- ▶ 注册常用打印配置文件
- ▶ 设置要使用的墨水
- ▶ 管理打印机电源
- ▶ 更改打印机操作模式

## 更改打印选项

可为打印从应用程序软件发送的打印数据而更改详细的打印机驱动程序设置。

如果打印失败，如部分图像数据被剪切。请指定该选项。

1. 打开[打印机驱动程序设置窗口](#)
2. 单击页设置选项卡上的打印选项...



打印选项对话框打开。



3. 更改各设置

如有必要，更改各项目的设置，然后单击**确定**。

再次显示**页设置**选项卡。

## 注册常用打印配置文件

可以将常用的打印配置文件注册到**快速设置**选项卡上的**常用设置**中。不需要的打印配置文件可以随时删除。

### 注册打印配置文件

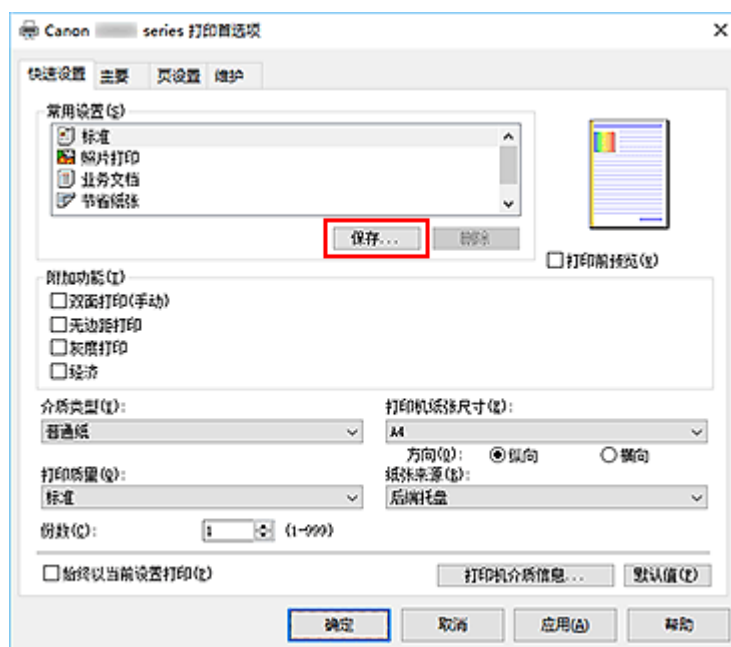
#### 1. 打开[打印机驱动程序设置窗口](#)

#### 2. 设置必要的项目

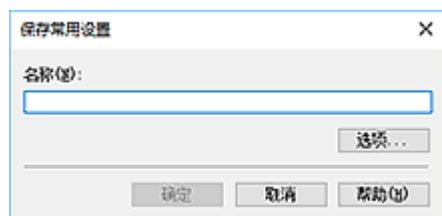
如有必要，从**快速设置**选项卡上的**常用设置**中选择要使用的打印配置文件，然后更改**附加功能**中的设置。

您也可以在**主要**和**页设置**选项卡上注册必要的项目。

#### 3. 单击**保存...**



**保存常用设置**对话框打开。



#### 4. 保存设置

输入打印设置的名称以在**名称**字段中注册。如有必要，单击**选项...**，设置项目，然后单击**确定**。

在**保存常用设置**对话框中，单击**确定**保存打印设置并返回**快速设置**选项卡。

名称和图标显示在**常用设置**中。

## 重要事项

- 要保存在每页中设置的页尺寸、方向和打印份数，请单击**选项...**，并选中各项。

## 注释

- 当重新安装打印机驱动程序或升级打印机驱动程序的版本时，已注册的打印设置将从**常用设置**中删除。  
不能保存和保留已注册的打印设置。如果配置文件被删除，请重新注册打印设置。

## 删除不需要的打印配置文件

### 1. 选择要删除的打印配置文件

在**快速设置**选项卡上的**常用设置**列表中选择要删除的打印配置文件。

### 2. 删除打印配置文件

单击**删除**。出现确认信息时，单击**确定**。  
将从**常用设置**列表中删除所选的打印配置文件。

## 注释

- 无法删除注册在初始设置中的打印配置文件。



## 设置要使用的墨水

使用该功能可以指定打印时使用的墨水。

1. 打开[打印机驱动程序设置窗口](#)
2. 单击**页设置**选项卡上的**打印选项...**  
出现**打印选项**对话框。
3. 从**用于打印的墨水**选择要使用的墨水  
选择打印要使用的墨水并单击**确定**。
4. 单击**页设置**选项卡上的**确定**  
执行打印时，将使用指定的墨水。

### »» 重要事项

- 指定如下设置时，**仅黑色**不起作用，因为打印机使用除黑色以外的墨水打印文档。
  - 在**主要**选项卡上的**介质类型**中选择了**普通纸**以外的其他介质类型
  - 从**页设置**选项卡上的**页面布局**列表中选择了**无边距**
- 不要取下未使用的打印头。当取下任一打印头时，将无法执行打印。

## 管理打印机电源

使用该功能可以从 Canon IJ Printer Assistant Tool 管理打印机电源。



### 电源关闭

**电源关闭**功能可以关闭打印机电源。使用该功能时，无法从 Canon IJ Printer Assistant Tool 打开打印机电源。

#### 1. 打开 Canon IJ Printer Assistant Tool

#### 2. 执行电源关闭

单击**电源关闭**。出现确认信息时，单击**确定**。

打印机电源关闭。



### 自动电源

利用**自动电源**可以设置**自动电源开启**和**自动电源关闭**。

**自动电源开启**功能将在接收到数据时自动打开打印机电源。

当打印机驱动程序或打印机在指定时段内未进行任何操作时，**自动电源关闭**功能将自动关闭打印机电源。

#### 1. 打开 Canon IJ Printer Assistant Tool

#### 2. 确认打印机是否已开启，然后单击**自动电源**

**自动电源设置**对话框将打开。

#### ▶▶▶ 注释

- 如果打印机关闭或打印机与计算机之间的通讯被禁用，由于计算机无法收集打印机状态信息，可能会出现一条错误信息。  
如果发生此情况，单击**确定**可显示在计算机上新近指定的设置。

#### 3. 如有必要，完成以下设置：

##### 自动电源开启

选择自动电源开启设置。

选择**禁用**以防止自动电源开启功能起作用。

确认打印机是否已开启，然后单击**确定**以更改打印机设置。

选择**启用**以在发送打印数据时自动开启打印机。

##### 自动电源关闭

从列表中指定时间。当打印机驱动程序或打印机在该时段内未进行任何操作时，打印机将自动关闭。

#### 4. 应用设置

单击**确定**。出现确认信息时，单击**确定**。

此后将启用设置。当想要禁用该功能时，请根据相同步骤从列表中选择**禁用**。

#### ▶▶▶ 注释

- 当关闭打印机时，Canon IJ Status Monitor 信息将根据**自动电源开启**的设置而有所变化。当设置为**启用**时，显示“打印机处于待机状态”。当设置为**禁用**时，显示“打印机脱机”。

## 更改打印机操作模式

如有必要，可以在打印机的多种操作模式之间进行切换。



### 用户定义设置

1. 打开 Canon IJ Printer Assistant Tool
2. 确认打印机是否已开启，然后单击**用户定义设置**

**用户定义设置**对话框打开。

#### ▶▶▶ 注释

- 如果打印机关闭或打印机与计算机之间的通讯被禁用，由于计算机无法收集打印机状态信息，可能会出现一条错误信息。  
如果发生此情况，单击**确定**可显示在计算机上新近指定的设置。

3. 如有必要，完成以下设置：

#### 防止纸张磨损

高密度打印时，打印机可以增加打印头和纸张之间的空隙以防止纸张磨损。  
选中此复选框以防止纸张磨损。

#### 当方向为[横向]时向左旋转 90 度

在**页设置**选项卡上，可以在**方向**中更改**横向**的旋转方向。  
如果要在打印过程中将打印数据向左旋转 90 度，请选择该项。如果要在打印过程中将打印数据向右旋转 90 度，请清除该项。

#### ▶▶▶ 重要事项

- 打印作业显示在打印等待列表中时，请勿更改该设置。否则，可能遗漏字符或破坏布局。

#### 从计算机打印时不要检测纸张设置不匹配

从计算机打印文档且打印机上装入的纸张与打印机驱动程序上设置的纸张尺寸不匹配时，该设置禁止信息显示并允许继续打印。  
要禁用纸张设置不匹配检测，请选中该复选框。

#### 墨水晾干等待时间

打印下一页之前，可以设置打印机等待时间的长度。向右移动滑块将增加暂停时间，向左移动将减少暂停时间。  
如果在打印页墨水晾干之前下一页已经输出从而导致纸张脏污，请增加墨水晾干等待时间。  
减少墨水晾干等待时间可以加快打印速度。

4. 应用设置

单击**确定**，显示确认信息时，单击**确定**。

此后，打印机将按照修改后的设置运行。

## 从操作面板更改设置

---

- ▶ 操作面板上的设置项目
- ▶ 墨水量监控
- ▶ 初始化打印机设置

## 操作面板上的设置项目

警告指示灯的闪烁次数	详细信息
1	<a href="#">清洁</a>
2	<a href="#">喷嘴检查</a>
3	<a href="#">滚轴清洁</a>
4	<a href="#">底板清洁</a>
5	改善纸张摩擦情况
6	<a href="#">重置剩余墨水量计算</a>
7	<a href="#">墨水量通知：已启用</a>
8	<a href="#">墨水量通知：已禁用</a>
9	<a href="#">纸张不匹配检测：已启用</a>
10	<a href="#">纸张不匹配检测：已禁用</a>
11	<a href="#">重置所有设置</a>

## 墨水量监控

### 启用剩余墨水量通知功能

1. [确认打印机是否已开启。](#)
2. 按住**停止**按钮，并在**警告**指示灯闪烁 7 次后松开。  
剩余墨水量通知功能已启用。

### 禁用剩余墨水量通知功能

#### 重要事项

- 如果已禁用剩余墨水量通知功能，请目视检查剩余墨水量并根据需要再填充墨水盒。如果在墨水量低于墨水盒下限线的情况下继续打印，打印质量可能不理想。
- 将剩余墨水量通知功能从禁用切换为启用时，必须将所有墨水盒再填充至上限线。

#### ■ 再填充墨水盒

1. [确认打印机是否已开启。](#)
2. 按住**停止**按钮，并在**警告**指示灯闪烁 8 次后松开。  
剩余墨水量通知功能已禁用。

### 重置剩余墨水量计算

#### 重要事项

- 将墨水再填充至墨水盒的上限线之后，请重置剩余墨水量计算。  
如果在墨水盒不满的情况下重置剩余墨水量计算，则无法正确检测到剩余墨水量。

1. [确认打印机是否已开启。](#)
2. 按住**停止**按钮，并在**警告**指示灯闪烁 6 次后松开。  
剩余墨水量计算已重置。

## 初始化打印机设置

可以初始化打印机设置。

### 重要事项

- 通过 Wi-Fi 使用打印机时，请注意初始化会删除打印机上的所有网络设置，并且可能无法通过 Wi-Fi 从计算机进行打印操作。如果要通过 Wi-Fi 使用打印机，请按照我们网站上的说明进行设置。

请按照以下步骤初始化打印机设置。

1. [确认打印机是否已开启。](#)
2. 按住**停止按钮**，并在**警告指示灯**闪烁 11 次后松开。

所有打印机设置已初始化。远程用户界面或 IJ Network Device Setup Utility 指定的管理员密码恢复为默认设置。

重置后，根据需要重新执行设置。

### 注释

- 无法将以下设置项目恢复为默认值：
  - 打印头的当前位置
  - 用于加密方法(SSL/TLS)设置的 CSR(证书签名请求)



## 规格

### 一般规格

接口	<b>USB 端口:</b> Hi-Speed USB * * 需要使用符合 Hi-Speed USB 标准的计算机。由于 Hi-Speed USB 接口与 USB 1.1 完全向上兼容, 因此可以用于 USB 1.1。
操作环境	<b>温度:</b> 5 到 35°C(41 到 95°F) <b>湿度:</b> 10 到 90%RH(无结露) * 在一定温度和湿度条件下, 打印机的性能可能会有所降低。 推荐条件: <b>温度:</b> 15 到 30°C(59 到 86°F) <b>湿度:</b> 10 到 80%RH(无结露) * 有关纸张(如照片纸)的温度和湿度状况, 请参阅纸张的包装或附带的说明。
存储环境	<b>温度:</b> 0 到 40°C(32 到 104°F) <b>湿度:</b> 5 到 95%RH(无结露)
电源供应	AC 100-240V, 50/60Hz (附带的电源线仅适用于产品销售的国家和地区。)
耗电功率	<b>打印:</b> 15W 或更小 *1 <b>待机(最小):</b> 0.6W 或更小 *1*2 <b>关:</b> 0.2W 或更小 *1 USB 连接至计算机 *2 无法更改待机等待时间。
外部尺寸(宽 x 深 x 高)	约 445 x 330 x 135 毫米(约 17.6 x 13 x 5.4 英寸) * 收回托盘的状态下。
重量	约 4.8 千克(约 10.6 磅) * 已安装打印头。

### 最低系统要求

如果所用操作系统高于此要求, 即符合操作系统的要求。

#### Windows

操作系统	Windows 10、Windows 8.1、Windows 7 SP1 注释: 只有在预先安装了 Windows 7 或更高版本的计算机上才能保证正常工作。 打印机驱动程序和 IJ Printer Assistant Tool 支持以下操作系统:
------	--

	Windows Server 2008 R2 SP1、Windows Server 2012 R2、Windows Server 2016 和 Windows Server 2019。
安装驱动程序所需的硬盘空间	1.5GB 或更大

## macOS

操作系统	macOS 10.12.6 - macOS 10.15
------	-----------------------------

## 纸张相关信息

---

- ▶ 支持的介质类型
  - 纸张装入限量
- ▶ 不支持的介质类型
- ▶ 使用纸张
- ▶ 打印区域

## 支持的介质类型

为获得最佳效果，请选择针对您的打印方式设计的纸张。Canon 提供适合文档以及照片或插图的各种类型的纸张。请尽可能使用 Canon 原装纸张打印重要照片。

- [介质类型](#)
- [页尺寸](#)
- [纸张重量](#)

## 介质类型

### Canon 原装纸张

#### 注 释

- 有关使用不可打印面的警告，请参见每个产品的使用信息。
- 根据销售纸张的国家或地区，页尺寸和介质类型会有所不同。有关页尺寸和介质类型的详细资料，请访问 Canon 网站。
- 某些国家/地区可能不提供 Canon 原装纸张。请注意，在美国，Canon 纸张不按型号销售。请按名称购买纸张。

#### 用于打印文档的纸张：

- Canon Red Label Superior <WOP111>
- Canon Océ Office Colour Paper <SAT213>
- 高分辨率纸 <HR-101N>

#### 用于打印照片的纸张：

- 光面照相纸"Everyday Use" <GP-501/GP-508>
- 光面照相纸 <GP-701>
- 高级光面照片纸 II <PP-201/PP-208/PP-301>
- 专业绒面照片纸 <LU-101>
- 亚高光泽照片纸 <SG-201>
- 无光泽照片纸 <MP-101>

#### 用于制作原稿的纸张：

- Restickable Photo Paper <RP-101>
- Removable Photo Stickers <PS-308R>
- Magnetic Photo Paper <MG-101/PS-508>
- Light Fabric Iron-on Transfers <LF-101>
- Dark Fabric Iron-on Transfers <DF-101>
- Double sided Matte Paper <MP-101D>

## 除 Canon 原装纸张以外的纸张

- 普通纸(包括再生纸)
- 贺卡
- 卡片纸

### ■ 纸张装入限量

### ■ [打印机驱动程序上的纸张设置](#) (Windows)

## 页尺寸

可以使用以下页尺寸。

### ▶▶▶ 注释

- 根据使用的操作系统，打印机支持的页尺寸和介质类型会有所不同。

#### 标准尺寸：

- Letter
- Legal
- A4
- KG/10x15cm(4x6)

#### 特殊尺寸

- 最小尺寸：101.6 x 152.4 毫米(4.00 x 6.00 英寸)
- 最大尺寸：216.0 x 1200.0 毫米(8.50 x 47.24 英寸) \*

\* 页尺寸中的高度设置大于 676 毫米(26.61 英寸)时，介质类型将设置为普通纸。

## 纸张重量

可以使用以下重量范围内的纸张。

- 普通纸：64 到 105g /m<sup>2</sup>(17 到 28 磅)

## 纸张装入限量

本节介绍后端托盘和出纸托盘的纸张装入限量。

■ [后端托盘的纸张装入限量](#)

■ [出纸托盘的纸张装入限量](#)

### 注释

- 根据销售纸张的国家或地区，页尺寸和介质类型会有所不同。有关页尺寸和介质类型的详细资料，请访问 Canon 网站。

## 后端托盘的纸张装入限量

### 原装 Canon 纸张

用于打印文档的纸张：

介质名称<型号>	后端托盘
Canon Red Label Superior <WOP111>	约 100 张
Canon Océ Office Colour Paper <SAT213>	约 80 张
高分辨率纸 <HR-101N> <a href="#">*1</a>	约 80 张

用于打印照片的纸张：

介质名称<型号>	后端托盘
光面照相纸"Everyday Use" <GP-501/GP-508> <a href="#">*2</a>	A4、Letter: 10 张
光面照相纸 <GP-701> <a href="#">*2</a>	KG/10x15cm(4x6): 20 张
高级光面照片纸 II <PP-201/PP-208/PP-301> <a href="#">*2</a>	
专业绒面照片纸 <LU-101> <a href="#">*2</a>	
亚高光泽照片纸 <SG-201> <a href="#">*2</a>	
无光泽照片纸 <MP-101>	

用于制作原稿的纸张：

介质名称<型号>	后端托盘
Restickable Photo Paper <RP-101>	1 张
Removable Photo Stickers <PS-308R>	
Magnetic Photo Paper <MG-101/PS-508>	
Light Fabric Iron-on Transfers <LF-101>	
Dark Fabric Iron-on Transfers <DF-101>	
Double sided Matte Paper <MP-101D>	

## 除 Canon 原装纸张以外的纸张

通用名称	后端托盘
普通纸(包括再生纸)*1	约 100 张 (Legal: 10 张)
贺卡	1 张
卡片纸	1 张

\*1 对于某些纸张类型或者在很高或很低的温度或湿度下，纸张可能无法以最大容量正常送入。在这种情况下，请装入一半或更少的纸张数。

\*2 装入整叠纸张时，送入纸张时可能会在打印面上留下标记或影响送纸效率。在这种情况下，一次装入一张纸。

## 出纸托盘的纸张装入限量

### 原装 Canon 纸张

用于打印文档的纸张：

介质名称<型号>	出纸托盘
Canon Red Label Superior <WOP111> Canon Océ Office Colour Paper <SAT213> 高分辨率纸 <HR-101N>	约 50 张

## 除 Canon 原装纸张以外的纸张

通用名称	出纸托盘
普通纸(包括再生纸)	约 50 张 (Legal: 10 张)

使用上述以外的纸张继续打印时，建议从出纸托盘取出已打印的纸张或信封，以免弄脏或变色。

## 不支持的介质类型

---

请勿使用以下类型的纸张。使用此类纸张不但打印效果不理想，还会造成打印机卡纸或无法正常工作。

- 折叠的纸张、卷曲的纸张或皱褶的纸张
- 受潮的纸张
- 剪切为小尺寸的普通纸或记事本纸张
- 图片明信片
- 明信片
- 信封
- 任何类型有孔的纸张
- 非长方形纸张
- 使用钉书钉或胶水等装订的纸张
- 背面具有粘性的纸张(如标签)
- 装饰有发光物等的纸张



## 使用纸张

---

- 处理任何类型的纸张时，请小心不要磨擦或划伤其表面。
- 尽可能靠近纸张的边缘握住纸张，尽量不要触摸打印面。如果打印面被手上的汗渍或油渍弄脏，可能会降低打印质量。
- 在墨水干透前，请勿触摸打印面。即使墨水已干透，在处理时也请小心尽量不要触摸打印面。由于颜料墨水的特性，打印面上的墨水在受到摩擦或刮擦时可能会脱落。
- 打印前仅从包装中取出所需数量的纸张。
- 为避免卷曲，请在不打印时将未用完的纸张放回包装并将其水平放置保存。存放时也要避免高温、潮湿和阳光直射。

## 经济模式

打印质量设置为**经济**可以减少黑色墨水的消耗。与打印质量设置为**标准**相比，该设置可以进行更多打印。

对于彩色打印，虽然彩色墨水的消耗与设置为**标准**时的消耗相同，但可以减少黑色墨水的消耗。

- **可打印的页数**

进行彩色打印时，每个颜料黑色墨水瓶的可打印页数(A4 普通纸)

**标准模式**：6,000 页

**经济模式**：7,600 页

- **测量条件**

- 测量图像：

彩色打印：A4 彩色文档 ISO/IEC24712

- 测量方法：

Canon 原创方法

- 纸张类型：

普通纸

- 打印驱动程序设置：

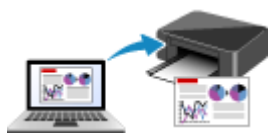
设置为普通纸的默认设置(打印质量设置为**经济**)。

- 无边距打印：

关

\* 可打印的页数基于第二次填充的墨水瓶计算，而不是首次使用打印机时填充的墨水瓶。

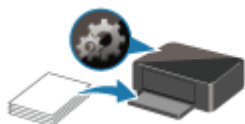
# 打印



从计算机打印



使用 PIXMA/MAXIFY Cloud Link



纸张设置


## 从计算机打印

---

- ▶ 从应用程序软件打印(Windows 打印机驱动程序)
- ▶ 从应用程序软件打印 (macOS)
- ▶ 使用 Canon 应用程序软件打印

## 从应用程序软件打印(Windows 打印机驱动程序)

---

- ▶ 基本打印设置  基本
- ▶ 多种打印方法
- ▶ 更改打印质量及修正图像数据
- ▶ 打印机驱动程序概述
- ▶ 打印机驱动程序的说明
- ▶ 更新打印机驱动程序

## 基本打印设置

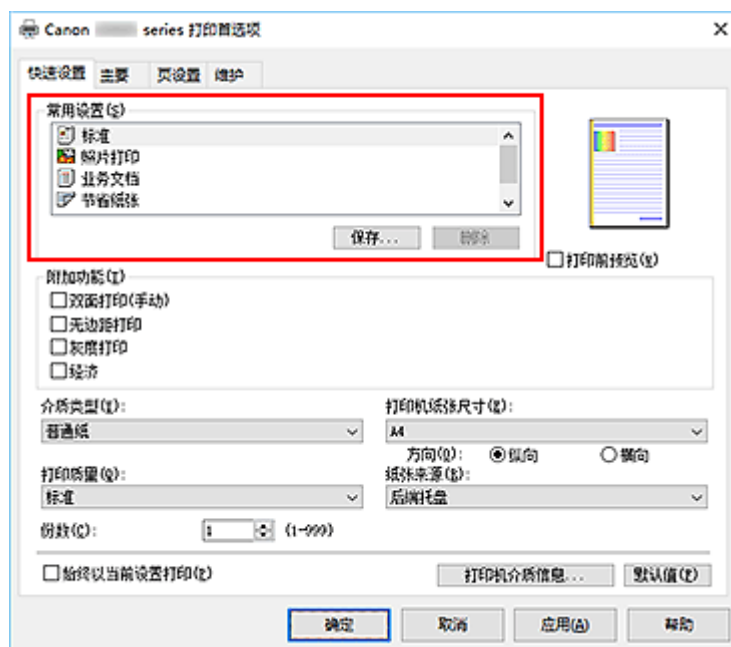
本节描述用于基本打印的[快速设置选项卡](#)的设置。

### 基本打印设置

1. [确认打印机是否已开启](#)
2. 在打印机中[装入纸张](#)
3. 打开[打印机驱动程序](#)的[设置屏幕](#)
4. 选择常用设置

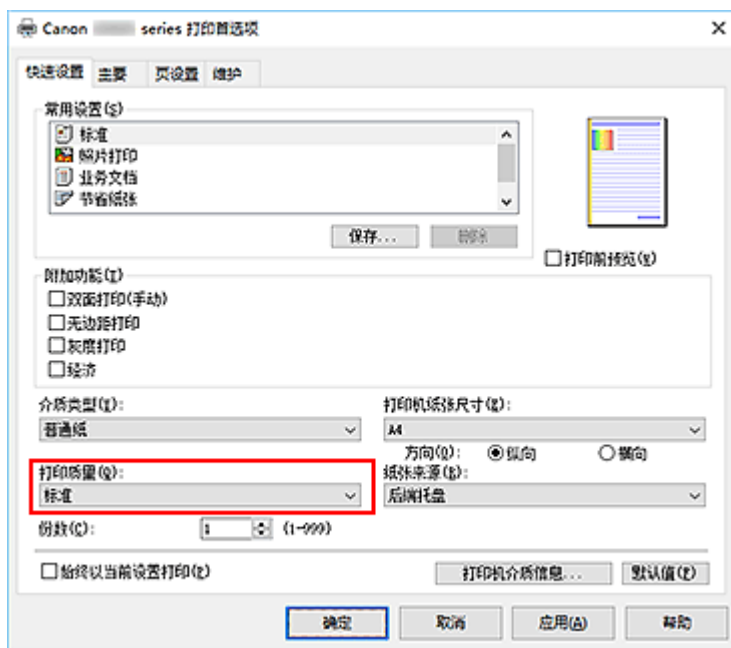
在[快速设置](#)选项卡上，使用[常用设置](#)从预设打印设置中进行选择。

选择打印设置时，[附加功能](#)、[介质类型](#)和[打印机纸张尺寸](#)设置将自动转换为预设值。



5. 选择打印质量

对于打印质量，请从[高](#)、[标准](#)或[经济](#)中进行选择。



## 重要事项

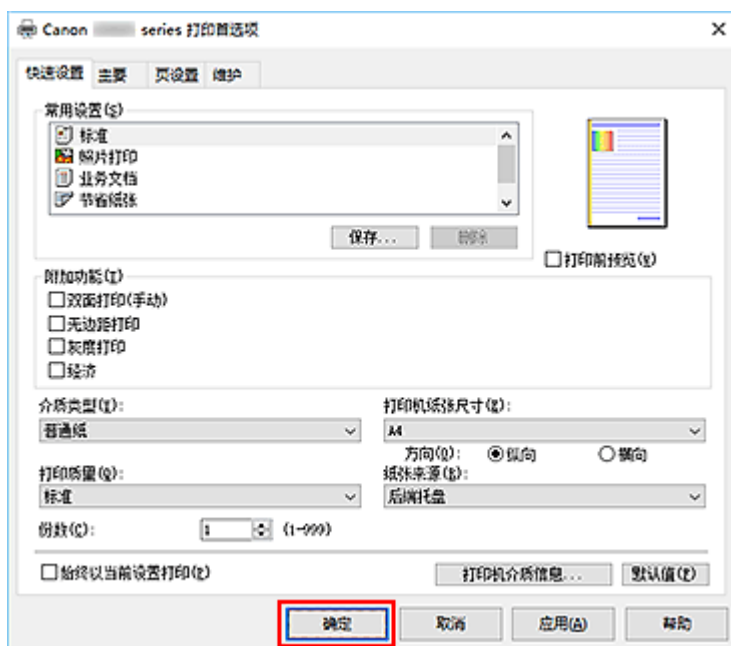
- 根据选择的打印设置不同，打印质量的选项会有所不同。

## 注释

- 选择打印质量中的经济可以减少黑色墨水的消耗。这表示，与选择标准相比，该设置可以进行更多打印。  
执行彩色打印时，黑色区域的墨水消耗将减少。但是，对于彩色区域，所消耗的墨水与设置为标准时相同。  
有关经济模式的详细资料，请参见“[经济模式](#)”。

## 6. 单击确定

打印机将使用这些设置进行打印。



## 重要事项

- 如果要执行大幅面打印，请确保墨水盒的剩余墨水充足。
- 选择**始终以当前设置打印**时，将保存**快速设置**、**主要**和**页设置**选项卡上的设置，并且这些设置会在后续打印中应用。
- 要**注册当前设置**为新的预设设置，请单击**常用设置**下的**保存...**。

## 注释

- 如果打印机驱动程序中的纸张尺寸与打印机上配置的纸张尺寸不同，可能会出现错误。有关发生错误时的操作说明，请参见“[纸张设置](#)”。  
要检查打印机当前的设置或将打印机设置应用到打印机驱动程序，请显示**快速设置**选项卡并单击**打印机介质信息...**，然后在出现的对话框中指定设置。

## 检查打印机设置并将设置应用到打印机驱动程序

1. 打开打印机驱动程序设置窗口
2. 在**快速设置**选项卡上，单击**打印机介质信息...**  
出现**打印机介质信息**对话框。
3. 确认打印机设置  
当前打印机设置显示在**纸张来源**、**介质类型**和**打印机纸张尺寸**中。
4. 应用设置  
要将打印机设置应用到打印机驱动程序上，请单击**设置**。

## 注释

- 如果与打印机的通讯已禁用，则不会显示**打印机介质信息...**对话框或打印机驱动程序无法获取打印机介质信息。



## 打印机驱动程序上的纸张设置

使用打印机时，选择符合打印用途的介质类型有助于获得最佳打印效果。根据使用的介质类型，如下所述在打印机驱动程序上指定介质类型设置。

### Canon 原装纸张(文档打印)

介质名称<型号>	打印机驱动程序中的介质类型
Canon Red Label Superior <WOP111>	普通纸
Canon Océ Office Colour Paper <SAT213>	普通纸
高分辨率纸 <HR-101N>	高分辨率纸

### Canon 原装纸张(照片打印)

介质名称<型号>	打印机驱动程序中的介质类型
高级光面照片纸 II <PP-201/PP-208/PP-301>	高级光面照片纸 II
专业绒面照片纸 <LU-101>	Photo Paper Pro Luster
亚高光泽照片纸 <SG-201>	亚高光泽照片纸
光面照相纸"Everyday Use" <GP-501/GP-508>	光面照相纸
光面照相纸 <GP-701>	光面照相纸
无光泽照片纸 <MP-101>	Matte Photo Paper

### Canon 原装纸张(制作原创物件)

介质名称<型号>	打印机驱动程序中的介质类型
Restickable Photo Paper <RP-101>	光面照相纸
Removable Photo Stickers <PS-308R>	光面照相纸
Magnetic Photo Paper <MG-101/PS-508>	光面照相纸
Light Fabric Iron-on Transfers <LF-101>	浅色织物烫印贴纸
Dark Fabric Iron-on Transfers <DF-101>	深色织物烫印贴纸
Double sided Matte Paper <MP-101D>	Matte Photo Paper

### 可购买的纸张

介质名称	打印机驱动程序中的介质类型
------	---------------

普通纸(包括再生纸)	普通纸
贺卡	喷墨贺卡
卡片纸	卡片纸

## 多种打印方法

---

- ▶ 设置页尺寸和方向
- ▶ 设置打印份数和打印顺序
- ▶ 执行无边距打印
- ▶ 比例打印
- ▶ 页面布局打印
- ▶ 双面打印

## 设置页尺寸和方向

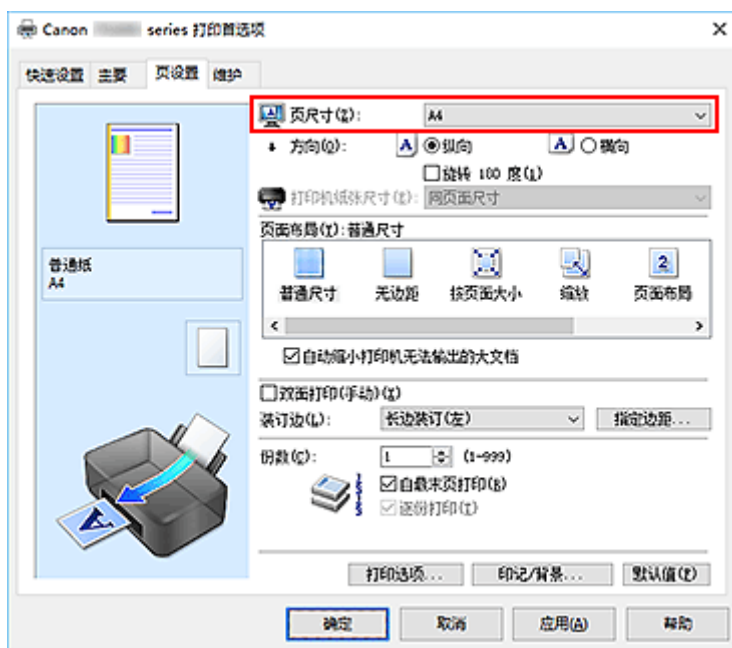
页尺寸和方向主要由应用程序软件决定。当**页设置**选项卡上的**页尺寸**和**方向**的设置与应用程序软件中的设置一致时，则无需在**页设置**选项卡上进行选择。

当您无法在应用程序软件中指定这些设置时，请按照以下步骤选择页尺寸和方向：  
您也可以在**快速设置**选项卡上设置页尺寸和方向。

### 1. 打开[打印机驱动程序设置窗口](#)

### 2. 选择纸张尺寸

从**页设置**选项卡上的**页尺寸**列表中选择一种纸张尺寸。



### 3. 设置方向

将**方向**选择为**纵向**或**横向**。当要将原稿旋转 180 度执行打印时，请选中**旋转 180 度**复选框。

### 4. 单击**确定**

执行打印时，将按照所选的页尺寸和方向打印文档。

## 注释

- 如果将**页面布局**选择为**普通尺寸**，则显示**自动缩小打印机无法输出的大文档**。  
通常，可以选中复选框。打印过程中，如果不希望减小打印机无法打印的大文档，取消选中该复选框。

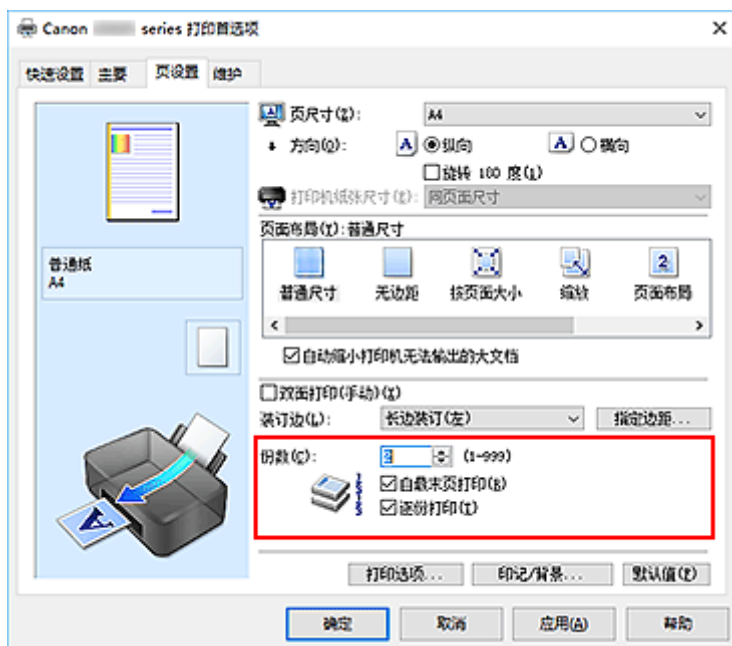
## 设置打印份数和打印顺序

您也可以在**快速设置**选项卡上设置打印份数。

### 1. 打开[打印机驱动程序设置窗口](#)

### 2. 指定要打印的份数

对于**页设置**选项卡上的**份数**，请指定要打印的份数。



### 3. 指定打印顺序

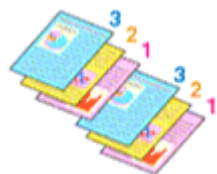
当要按顺序从最末页打印时，请选中**自最末页打印**复选框，但当从首页打印时取消选中该复选框。

当打印多份文档副本并要集中打印每份副本的所有页时，请选中**逐份打印**复选框。当要集中打印同一页码的所有页时，取消选中该复选框。

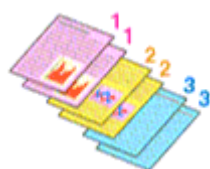
- 自最末页打印：/逐份打印：



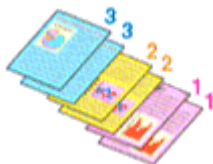
- 自最末页打印：/逐份打印：



- 自最末页打印：/逐份打印：



- 自最末页打印: /逐份打印:



#### 4. 单击确定

执行打印时，将按照指定的打印顺序打印指定的份数。

#### 重要事项

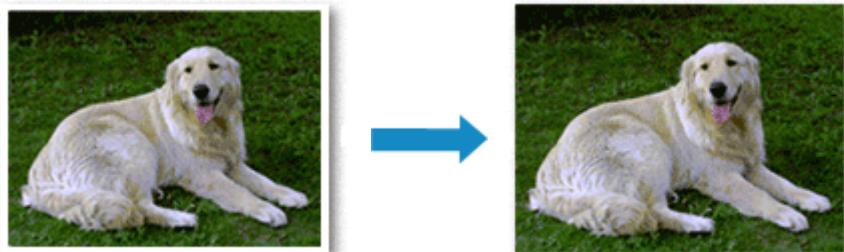
- 当创建文档的应用程序软件具有相同的功能时，请指定打印机驱动程序中的设置。然而，如果打印结果不能令人满意，请指定应用程序软件上的功能设置。当同时使用应用程序软件和本打印机驱动程序指定打印份数和打印顺序时，打印份数可能是两个设置的倍数或者指定的打印顺序可能不起作用。
- 将**页面布局**选择为**平铺/海报**时，**自最末页打印**将显示为灰色且不可用。
- 将**页面布局**选择为**书册**时，**自最末页打印**和**逐份打印**将显示为灰色且无法设置。
- 当选择**双面打印(手动)**时，**自最末页打印**显示为灰色且无法设置。

#### 注释

- 同时设置**自最末页打印**和**逐份打印**时，可以执行自最末页开始的逐份打印。  
这些设置可以与**普通尺寸**、**无边距**、**按页面大小**、**缩放**和**页面布局**结合起来使用。

## 执行无边距打印

无边距打印功能可以放大数据使其略微超出纸张，从而使打印的数据没有任何边距。在标准打印中，将在文档区域周围创建边距。但是在无边距打印功能中，不会创建这些边距。当要使打印数据(如照片)不带任何边距时，请设置无边距打印。

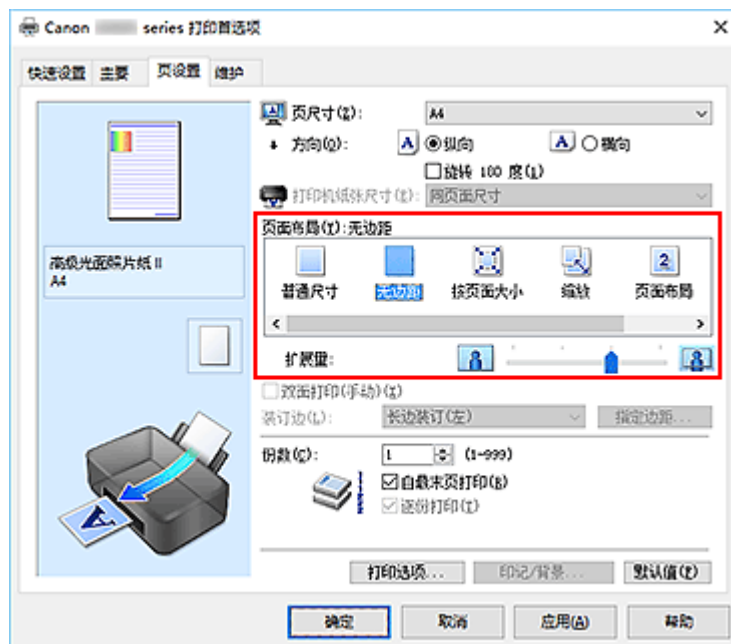


您也可以在快速设置选项卡上的附加功能中设置无边距打印。

## 设置无边距打印

1. 打开[打印机驱动程序设置窗口](#)
2. 设置无边距打印

从页设置选项卡上的页面布局列表中选择无边距。



出现确认信息时，单击**确定**。

出现信息提示您更改介质类型时，请从列表中选择介质类型并单击**确定**。

3. 检查纸张尺寸

检查页尺寸列表。想要更改此项时，请从列表中选择其他页尺寸。列表仅显示适用于无边距打印的尺寸。

#### 4. 调整纸张的扩展量

根据需要，使用**扩展量**滑块调整扩展量。

向右移动滑块增加超出纸张的扩展量，向左移动减少超出纸张的扩展量。

在大多数情况下，建议将滑块调至从右边数第二个位置。



#### 重要事项

- 将**扩展量**滑块调至最右端位置时，纸张背面可能会变脏。

#### 5. 单击确定

执行打印时，打印数据覆盖整个页面，没有页边距。

#### 重要事项

- 当选择了不适用于无边距打印的页尺寸时，该尺寸将自动更改为适用于无边距打印的页尺寸。
- 当选择了**无边距**时，**页设置**选项卡上的**打印机纸张尺寸**、**双面打印(手动)**、**装订边设置**和**印记/背景...**按钮将显示为灰色且不可用。
- 从**主要**选项卡上的**介质类型**列表中选择**浅色织物烫印贴纸**、**深色织物烫印贴纸**或**高分辨率纸**时，无法执行无边距打印。
- 根据无边距打印过程中使用的介质类型，纸张顶部和底部的打印质量可能变差或染污。
- 当纸张的长宽比例不同于图像数据时，根据使用的介质尺寸，可能无法打印部分图像。在这种情况下，根据纸张尺寸使用应用程序软件裁剪图像数据。

#### 注释

- 在**主要**选项卡上将**介质类型**选择为**普通纸**时，不推荐使用无边距打印。因此，将显示介质选择的信息。如果您正在使用普通纸进行测试打印，请选择**普通纸**，并单击**确定**。

## 扩展文档的打印范围

设置较大的扩展量可确保无边距打印顺利执行。然而，无法打印超出纸张范围的文档部分，因此，可能无法打印照片边缘处的内容。

对无边距打印的结果不满意时，请减少扩展量。向左移动**扩展量**滑块减少扩展量。

#### 重要事项

- 当减少扩展量时，根据纸张尺寸，打印件上可能会出现多余的边距。

#### 注释

- 当**扩展量**滑块设置在最左端时，将以全尺寸打印图像数据。
- 当在**打印前预览**选项卡上选中了**主要**时，可以在打印前确认是否没有边距。



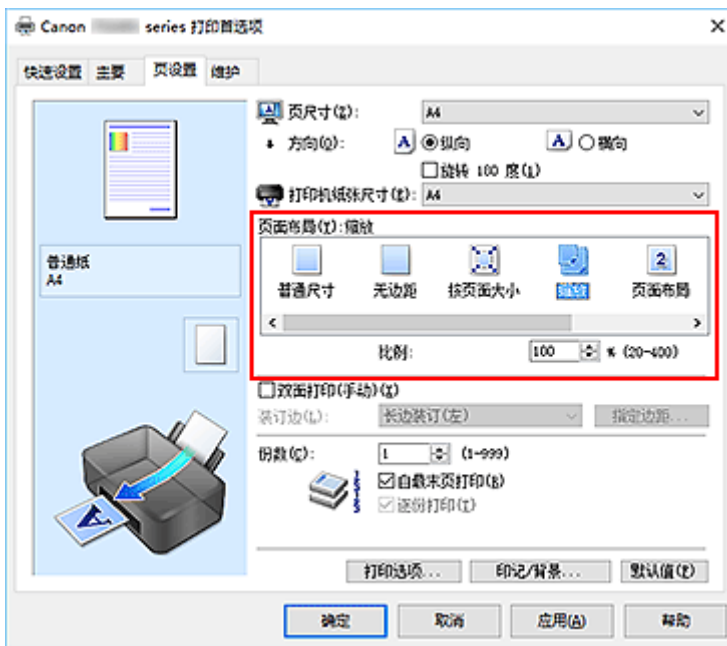
## 比例打印



1. 打开[打印机驱动程序设置窗口](#)

2. 设置比例打印

从页设置选项卡上的页面布局列表中选择缩放。



3. 选择文档的纸张尺寸

使用页尺寸，选择使用应用程序软件设置的页尺寸。

4. 使用以下一种方法设置缩放比例：

- 选择一种打印机纸张尺寸

当打印机纸张尺寸小于页尺寸时，页面图像将被缩小。当打印机纸张尺寸大于页尺寸时，页面图像将被放大。

- 指定比例因数

在比例框中直接键入数值。当前设置显示在打印机驱动程序左侧的设置预览中。

## 5. 单击确定

执行打印时，将以指定的比例打印文档。

### 重要事项

- 当用于创建原稿的应用程序软件具有比例打印功能时，请在该应用程序软件上配置此设置。您无需在打印机驱动程序中配置相同的设置。

### 注释

- 选择**缩放**将更改文档的可打印区域。

## 页面布局打印

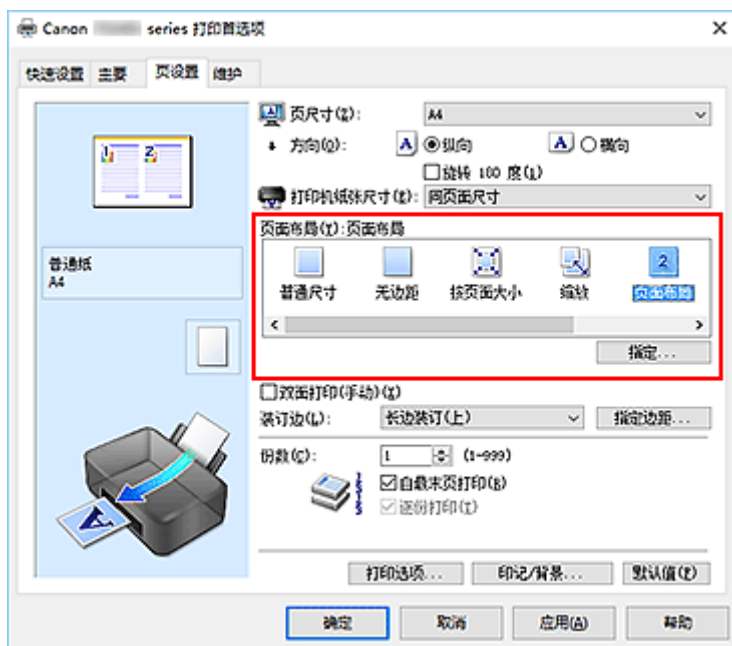
页面布局打印功能可以在一张纸上打印多页图像。



### 1. 打开打印机驱动程序设置窗口

### 2. 设置页面布局打印

从页设置选项卡上的页面布局列表中选择页面布局。  
当前设置显示在打印机驱动程序左侧的设置预览中。

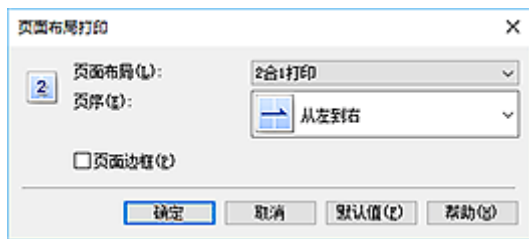


### 3. 选择打印纸张尺寸

从打印机纸张尺寸列表中选择装入打印机的纸张尺寸。

### 4. 设置在单页上要打印的页数和页序

如有必要，单击指定...，在页面布局打印对话框中指定以下设置，然后单击确定。



### 页面布局

要更改在单页纸上的打印份数，请从列表中选择份数。

### 页序

要更改页面排列顺序，请从列表中选择一种放置方法。

### 页面边框

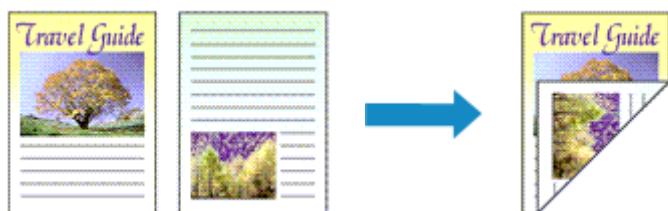
要在各文档页面周围打印页面边框，请选中该复选框。

## 5. 完成设置

单击**页设置**选项卡上的**确定**。

执行打印时，将按照指定顺序在每张纸上排列指定数量的页面。

## 双面打印

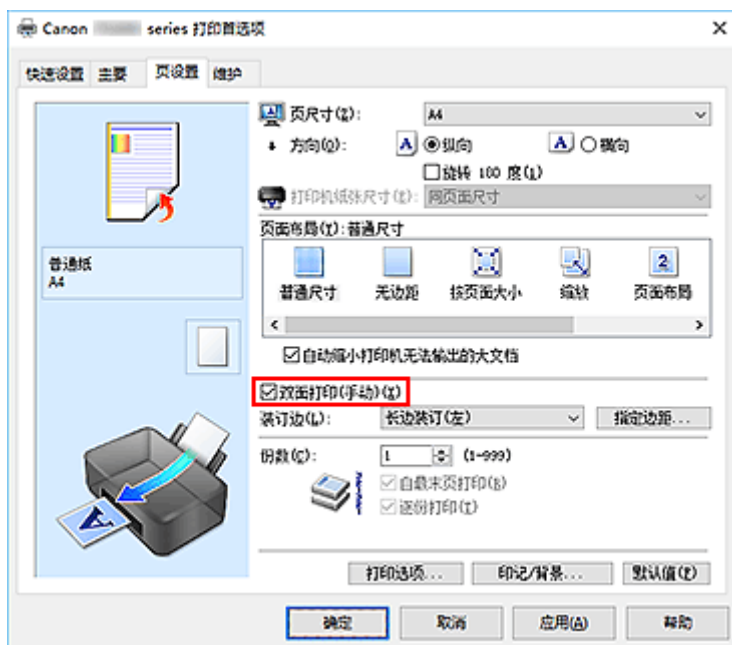


您也可以设置快速设置选项卡上附加功能中的双面打印。

### 1. 打开[打印机驱动程序设置窗口](#)

### 2. 设置双面打印

在页设置选项卡上选中**双面打印(手动)**复选框。



### 3. 选择布局

从**页面布局**列表中选择**普通尺寸**、**按页面大小**、**缩放**或**页面布局**。

### 4. 指定装订边

从**方向**和**页面布局**设置自动选择最佳**装订边**。想要更改此设置时，请从列表中选择其他装订边。

### 5. 设置边距宽度

如有必要，单击**指定边距...**并设置边距的宽度，然后单击**确定**。

### 6. 完成设置

单击**页设置**选项卡上的**确定**。

执行打印时，首先在纸张的单面打印文档。打印完一面后，根据信息重新正确装入纸张。

按打印机上的 **OK** 按钮以打印另一面。

### 重要事项

- 在**主要**选项卡的**介质类型**中选择**普通纸**以外的介质类型时，**双面打印(手动)**显示为灰色且不可用。
- 当从**页面布局**列表选择了**无边距、平铺/海报**或**书册**时，**双面打印(手动)**和**装订边**将显示为灰色且不可用。

### 注释

- 如果在双面打印过程中纸张背面变脏，请执行 Canon IJ Printer Assistant Tool 中的**底板清洁**。

### 相关主题

- [清洁打印机内部](#)
- [更改打印机操作模式](#)

## 打印机驱动程序概述

---

- ▶ **Canon IJ 打印机驱动程序**
  - 打开打印机驱动程序的设置屏幕
- ▶ **Canon IJ Status Monitor**
- ▶ **使用说明(打印机驱动程序)**

## Canon IJ 打印机驱动程序

Canon IJ 打印机驱动程序(以下简称为打印机驱动程序)是安装在计算机上,以便能够与打印机通讯的软件。

打印机驱动程序将应用程序软件所生成的打印数据转换为打印机能够识别的数据,并将转换后的数据发送到打印机。

由于不同的打印机支持不同的数据格式,因此需要支持所用打印机的打印机驱动程序。

### 安装打印机驱动程序

要安装打印机驱动程序,请从安装光盘或我们的网站安装驱动程序。

### 指定打印机驱动程序

要指定打印机驱动程序,请打开所使用的应用程序软件的**打印**对话框,然后选择“Canon XXX”(“XXX”表示型号名称)。

### 从打印机驱动程序显示手册

要在打印机驱动程序设置屏幕显示设置选项卡的描述,请单击此选项卡上的**帮助**按钮。

### 相关主题

- [打开打印机驱动程序的设置屏幕](#)



## 打开打印机驱动程序的安装屏幕

可以从应用程序软件或通过单击打印机图标显示打印机驱动程序的安装屏幕。

### 从应用程序软件显示打印机驱动程序的安装屏幕

执行此步骤可在打印过程中进行打印设置。

1. 从应用程序软件中选择打印命令  
通常可以在**文件**菜单中找到**打印**命令。
2. 选择打印机型号并单击**首选项(或属性)**  
会出现打印机驱动程序的安装屏幕。

#### 注 释

- 根据所使用的应用程序软件不同，命令和菜单名称以及步骤数目可能会有所不同。有关详细资料，请参阅所用应用程序软件的操作说明。

### 通过单击打印机图标显示打印机驱动程序的安装屏幕

可以从安装屏幕执行打印机维护操作，如打印头清洗，或将打印设置设为由所有应用程序软件共享。

1. 选择**控制面板 -> 硬件和声音 -> 设备和打印机**
2. 右键单击所用型号的图标。出现菜单时，请选择**打印首选项**  
会出现打印机驱动程序的安装屏幕。

#### 重 要 事 项

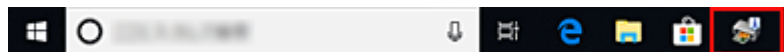
- 通过**打印机属性**打开打印机驱动程序设置窗口，会显示有关 Windows 功能的选项卡，如**端口(或高级)**选项卡等。当通过**打印首选项**或应用程序软件打开时，不会出现这些选项卡。有关 Windows 功能选项卡的信息，请参阅 Windows 用户手册。

## Canon IJ Status Monitor

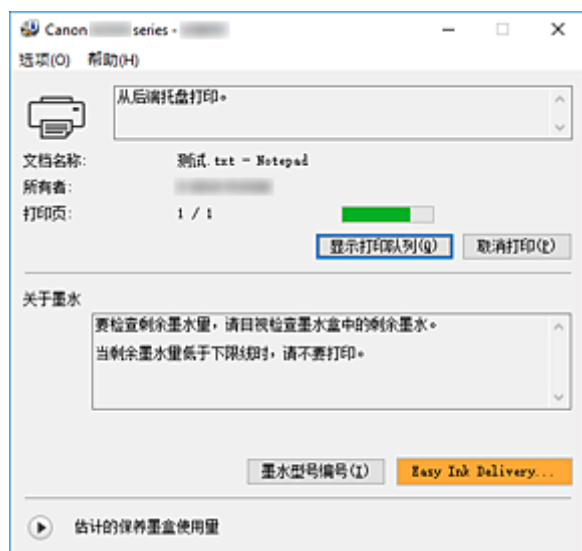
Canon IJ Status Monitor 显示打印机状态以及打印进程。通过状态监视器中的图标和信息显示打印机状态。

### 启动 Canon IJ Status Monitor

当打印数据发送到打印机时，Canon IJ Status Monitor 将自动启动。启动时，Canon IJ Status Monitor 在任务栏上显示为一个按钮。



单击显示在任务栏上的状态监视器按钮。显示 Canon IJ Status Monitor。



### 注释

- 要在打印机未打印时打开 Canon IJ Status Monitor，请打开[打印机驱动程序设置窗口](#)，并单击**维护**选项卡上的**查看打印机状态**。
- 根据使用打印机时所在的国家或地区，显示在 Canon IJ Status Monitor 的信息可能有所不同。

### 出现错误时

如果出现错误(例如，打印机中的纸张用完或墨水不足)，将自动显示 Canon IJ Status Monitor。



在这些情况下，请按照说明采取适当的操作。

## 相关主题

- [Canon IJ Status Monitor 的说明](#)

## 使用说明(打印机驱动程序)

该打印机驱动程序受以下限制。使用打印机驱动程序，请注意以下几点。

### 关于打印机驱动程序的限制

- 使用某些应用程序，可能无法启用打印机驱动程序**页设置**选项卡中的**份数**设置。  
在这种情况下，请使用应用程序软件的**打印**对话框中的份数设置。
- 如果**维护**选项卡中的**关于**对话框中选择的**语言**与操作系统界面语言不匹配，则打印机驱动程序设置窗口可能无法正常显示。
- 请勿更改打印机属性的**高级**选项卡项目。如果更改项目，您将无法正常使用以下功能。  
同样，如果在应用程序软件的**打印**对话框中选择了**打印到文件**，并且使用了禁止 EMF 后台打印的应用程序，如 Adobe Photoshop LE 和 MS Photo Editor，以下功能将不可用。
  - **主要**选项卡上的**打印前预览**
  - **页设置**选项卡上**打印选项**对话框中的**防止打印数据丢失**
  - **页设置**选项卡上的**页面布局、平铺/海报、书册、双面打印(手动)、指定边距...、自最末页打印、逐份打印和印记/背景...**
- 由于预览显示中的分辨率与打印分辨率不同，所以预览显示中的文本和线条可能与实际打印效果不同。
- 使用某些应用程序，打印将分为多个打印作业。  
要取消打印，请删除所有分散的打印作业。
- 如果没有正确打印图像数据，从**页设置**选项卡中显示**打印选项**对话框并更改**禁用应用程序软件所需的 ICM** 设置。这可能会解决问题。

### 使用存在限制的应用程序的注意事项

- 在 Microsoft Word(Microsoft Corporation)中存在以下限制。
  - 当 Microsoft Word 具有与打印机驱动程序相同的打印功能时，请使用 Word 指定这些功能。
  - 当为打印机驱动程序的**页设置**选项卡上的**页面布局**选择了**按页面大小、缩放或页面布局**时，某些 Word 版本的文档可能无法正常打印。
  - Word 中的**页尺寸**设置为“XXX 放大/缩小”时，某些 Word 版本的文档可能无法正常打印。  
如果发生这种情况，请执行以下步骤。
    1. 打开 Word 的**打印**对话框。
    2. 打开**打印机驱动程序设置窗口**，在**页设置**选项卡上将**页尺寸**设置为与 Word 中所指定尺寸相同的纸张尺寸。
    3. 设置想要的**页面布局**，然后单击**确定**关闭此窗口。
    4. 在没有开始打印的情况下，关闭**打印**对话框。
    5. 再次打开 Word 的**打印**对话框。
    6. 打开打印机驱动程序设置窗口，并单击**确定**。
    7. 开始打印。
- 如果在 Adobe Illustrator(Adobe Systems Incorporated)中启用位图打印，打印时间可能会变长或者某些数据可能无法打印。取消选中**打印**对话框中的**位图打印**复选框，然后执行打印。

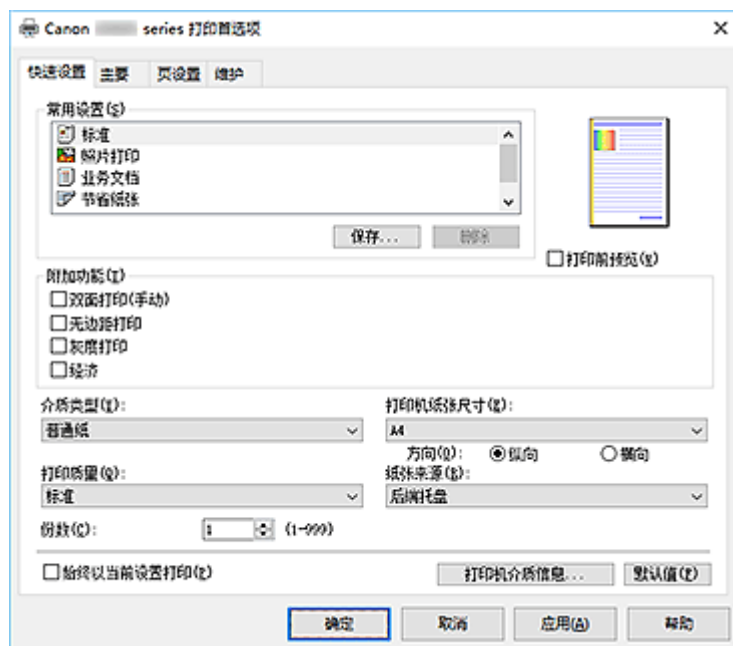
## 打印机驱动程序の説明

---

- ▶ 快速設置選項卡の説明
- ▶ 主要選項卡の説明
- ▶ 頁設置選項卡の説明
- ▶ 維護選項卡の説明
- ▶ Canon IJ Status Monitor の説明

## 快速设置选项卡的说明

快速设置选项卡用于注册常用打印设置。选择已注册的设置时，打印机自动转换至预置项目。



### 常用设置

注册常用打印配置文件的名称和图标。根据文档用途选择打印配置文件时，会应用符合用途的设置。此外，可能对所选打印配置文件有用的功能会显示在**附加功能**中。

也可以更改打印配置文件并使用新名称进行注册。可以删除已注册的打印配置文件。

可以通过拖拽各个配置文件或者在按住 Ctrl 键的同时按向上或向下箭头键重新排列配置文件。

### 标准

这些是出厂设置。

如果从应用程序软件设置了**页尺寸**、**方向**和**份数**，则优先使用那些设置。

### 照片打印

如果在打印照片时选择此设置，将设置通常使用的照片纸和照片尺寸。**无边距打印**复选框会自动选中。

如果从应用程序软件设置了**方向**和**份数**，则优先使用那些设置。

### 业务文档

打印一般文档时选择该设置。

如果从应用程序软件设置了**页尺寸**、**方向**和**份数**，则优先使用那些设置。

### 节省纸张

打印一般文档时选择该设置以节省纸张。**2合1打印**和**双面打印(手动)**复选框会自动选中。

如果从应用程序软件设置了**页尺寸**、**方向**和**份数**，则优先使用那些设置。

### 贺卡

选择打印贺卡时，**介质类型**会自动设置为**喷墨贺卡**。**打印质量**也会设置为**高**，且**无边距打印**前添加复选标记。

### 保存...

显示**保存常用设置对话框**。

要将**快速设置**、**主要**和**页设置**选项卡中设置的信息保存到**常用设置**时，请单击该按钮。

## 删除

删除已注册的打印配置文件。

选择要从**常用设置**删除的设置名称，并单击**删除**。显示确认信息时，单击**确定**删除指定的打印配置文件。

### ►►► 注释

- 无法删除注册在初始设置中的打印配置文件。

## 设置预览

纸张图示显示了如何在一张纸上布置原稿。

您可以查看整体布局图像。

## 打印前预览

在实际打印数据前显示打印效果。

选中该复选框以在打印前显示预览。

如果不想显示预览，则取消选中该复选框。

## 附加功能

显示在**快速设置**选项卡上的**常用设置**中选择的打印配置文件的常用便捷功能。

将鼠标指针移动到可以更改的功能附近时，会显示该功能的说明。

要启用该功能，请选中相应的复选框。

对于某些功能，可以从**主要**和**页设置**选项卡设置详细设置。

### ►►► 重要事项

- 根据打印配置文件，某些功能可能显示为灰色且无法更改。

## 2 合 1 打印

在一页纸上并排打印两页文档。

要更改页序，请单击**页设置**选项卡，将**页面布局**选择为**页面布局**，并单击**指定...**。然后，在出现的**页面布局打印对话框**中指定**页序**。

## 4 合 1 打印

在一页纸上并排打印四页文档。

要更改页序，请单击**页设置**选项卡，将**页面布局**选择为**页面布局**，并单击**指定...**。然后，在出现的**页面布局打印对话框**中指定**页序**。

## 双面打印(手动)

选择是在纸张的双面手动打印文档还是在纸张的单面打印文档。

要更改装订边或边距，请从**页设置**选项卡设置新值。

## 无边距打印

执行无边距打印时不在纸张上留有任何边距。

使用无边距打印功能会放大要打印的文档，从而使其略微超出纸张。换句话说，打印的文档没有任何边距。

要调整文档超出纸张的扩展量，请单击**页设置**选项卡，选择**无边距**，然后在**扩展量**中输入数值。

## 灰度打印

当打印文档时，该功能将数据转换为单色数据。

## 经济

减少打印时使用的黑色墨水量。

## ►► 注释

- 选择**经济**可以减少黑色墨水的消耗。这表示，与选择**标准**相比，该设置可以进行更多打印。执行彩色打印时，黑色区域的墨水消耗将减少。但是，对于彩色区域，所消耗的墨水与设置为**标准**时相同。  
有关经济模式的详细资料，请参见“[经济模式](#)”。

### 色彩/浓度手动调节

在设置**色彩修正**方法和各项设置(如**青色、品红色、黄色、亮度和对比度**等)时选择。

### 介质类型

选择打印纸张的类型。

选择与装入打印机中的纸张相匹配的介质类型。这可确保指定的纸张执行正确打印。

### 打印机纸张尺寸

选择实际装入打印机的纸张尺寸。

通常，根据输出纸张尺寸设置自动设置纸张尺寸，打印文档时不进行缩放。

当在**附加功能**中设置**2合1打印**或**4合1打印**时，可以通过**页设置**选项卡中的**页尺寸**手动设置纸张尺寸。

如果选择的纸张尺寸小于**页尺寸**，则文档尺寸将被缩小。如果选择的纸张尺寸较大，则文档尺寸将被放大。

同样，如果选择**用户定义...**，**用户定义纸张尺寸对话框**将打开，可以指定任何垂直和水平尺寸的纸张尺寸。

### 方向

选择打印方向。

如果用于创建文档的应用程序具有相同的功能，请选择在此应用程序中选择的相同方向。

#### 纵向

打印文档，使顶端和底端位置相对于进纸方向没有更改。此为默认设置。

#### 横向

通过相对于进纸方向旋转 90 度打印文档。

通过转到 Canon IJ Printer Assistant Tool，打开**用户定义设置**对话框，然后使用**当方向为[横向]时向左旋转 90 度**复选框，可以更改旋转方向。

要在打印时将文档向左旋转 90 度，请选中**当方向为[横向]时向左旋转 90 度**复选框。

### 打印质量

选择所需的打印质量。

选择以下其中一种以设置合乎用途的打印质量级别。

要单独设置打印质量级别，请单击**主要**选项卡，将**打印质量**选择为**用户定义**。**设置...**变为**启用**。单击**设置...**以打开**用户定义对话框**，然后指定所需设置。

#### 高

打印质量优于打印速度。

#### 标准

以平均的速度和质量打印。

#### 经济

减少打印时使用的黑色墨水量。

## ►► 注释

- 选择**经济**可以减少黑色墨水的消耗。这表示，与选择**标准**相比，该设置可以进行更多打印。执行彩色打印时，黑色区域的墨水消耗将减少。但是，对于彩色区域，所消耗的墨水与设置为



标准时相同。

有关经济模式的详细资料，请参见“[经济模式](#)”。

### 纸张来源

显示介质的纸张来源。

#### 后端托盘

一直由后端托盘供纸。

### 份数

指定要打印的份数。可以指定一个从 1 到 999 之间的数值。

#### 重要事项

- 当创建文档的应用程序软件具有相同的功能时，请指定打印机驱动程序中的设置。然而，如果打印结果不能令人满意，请指定应用程序软件上的功能设置。

### 始终以当前设置打印

从下次执行打印开始以当前设置打印文档。

选择该功能后关闭[打印机驱动程序设置窗口](#)时，将保存在**快速设置**、**主要**和**页设置**选项卡中设置的信息，并且从下次执行打印开始可以使用相同的设置打印。

#### 重要事项

- 如果使用其他用户名称登录，启用该功能时所设的设置不会体现在打印设置中。
- 如果在应用程序软件中指定了设置，则优先使用该设置。

### 打印机介质信息...

显示[打印机介质信息对话框](#)。

可以检查打印机设置并将检查的设置应用到打印机驱动程序。

### 默认值

将修正中所做的设置恢复至默认状态。

单击该按钮可将**快速设置**、**主要**和**页设置**选项卡上的所有设置恢复为默认值(出厂设置)。

## 保存常用设置对话框

在该对话框上，可以保存**快速设置**、**主要**和**页设置**选项卡中设置的信息，并将这些信息添加到**快速设置**选项卡上的**常用设置**列表中。

### 名称

输入要保存的打印配置文件的名称。

最多可以输入 255 个字符。

该名称及其关联的图标会出现在**快速设置**选项卡上的**常用设置**列表中。

### 选项...

打开[保存常用设置对话框](#)。

更改要保存的打印配置文件的详细信息。

## 保存常用设置对话框

选择要注册到**常用设置**中的打印配置文件的图标，并在打印配置文件中更改要保存的项目。

### 图标

选择要保存的打印配置文件的图标。

所选的图标及其名称会出现在**快速设置**选项卡上的**常用设置**列表中。

### 保存纸张尺寸设置

将纸张尺寸保存到**常用设置**中的打印配置文件。

要在选择打印配置文件时应用保存的纸张尺寸，请选中该复选框。

如果取消选中该复选框，则不保存纸张尺寸，因此选择打印配置文件时不应用纸张尺寸设置。打印机将使用通过应用程序软件指定的纸张尺寸进行打印。

### 保存方向设置

将方向保存到**常用设置**中的打印配置文件。

要在选择打印配置文件时应用保存的打印方向，请选中该复选框。

如果取消选中该复选框，则不保存打印方向，因此选择打印配置文件时不应用**方向**设置。打印机将使用通过应用程序软件指定的打印方向进行打印。

### 保存份数设置

将份数设置保存到**常用设置**中的打印配置文件。

要在选择打印配置文件时应用保存的份数设置，请选中该复选框。

如果取消选中该复选框，则不保存份数设置，因此选择打印配置文件时不应用**份数**设置。打印机将使用通过应用程序软件指定的份数设置进行打印。

## 用户定义纸张尺寸对话框

在该对话框上，您可以指定用户定义纸张的尺寸(宽度和高度)。

### 单位

选择用于输入用户定义纸张尺寸的单位。

### 纸张尺寸

指定用户定义纸张的**宽度**和**高度**。根据**单位**中指定的单位显示测量。

## 打印机介质信息对话框

使用该对话框可以检查打印机设置并将检查的设置应用到打印机驱动程序。

### 纸张来源

显示介质的纸张来源。

### 介质类型

显示当前设置在打印机上的**介质类型**。

要将显示的设置应用到打印机驱动程序上，请单击**设置**。

### 页尺寸

显示当前设置在打印机上的**页尺寸**。

要将显示的设置应用到打印机驱动程序上，请单击**设置**。

## 相关主题

- [基本打印设置](#)
- [注册常用打印配置文件](#)
- 打印前显示打印效果
- [双面打印](#)
- [执行无边距打印](#)
- 用单色打印彩色文档

- 指定色彩修正
- 调整色彩平衡
- 调节亮度
- 调节对比度
- 设置纸张尺寸(用户定义尺寸)
- [设置页尺寸和方向](#)
- [设置打印份数和打印顺序](#)

## 主要选项卡的说明

在**主要**选项卡上，可以根据介质类型创建基本打印设置。除非要求进行特殊打印，否则仅需在该选项卡上设置各项目即可执行常规打印。



### 设置预览

纸张图示显示了如何在一张纸上布置原稿。  
您可以查看整体布局图像。

### 介质类型

选择打印纸张的类型。  
选择与装入打印机中的纸张相匹配的介质类型。这可确保指定的纸张执行正确打印。

### 纸张来源

显示供入纸张的来源。

#### 后端托盘

一直由后端托盘供纸。

### 打印质量

选择所需的打印质量。  
选择以下其中一种以设置合乎用途的打印质量级别。

#### 重要事项

- 根据**介质类型**设置，即使更改**打印质量**，可能也会产生相同的打印效果。

#### 高

打印质量优于打印速度。

#### 标准

以平均的速度和质量打印。

#### 经济

减少打印时使用的黑色墨水量。

## »» 注释

- 选择**打印质量**中的**经济**可以减少黑色墨水的消耗。这表示，与选择**标准**相比，该设置可以进行更多打印。  
执行彩色打印时，黑色区域的墨水消耗将减少。但是，对于彩色区域，所消耗的墨水与设置为**标准**时相同。  
有关经济模式的详细资料，请参见“[经济模式](#)”。

### 用户定义

当要分别设置打印质量级别时选择该项。

### 设置...

将**打印质量**选择为**用户定义**以启用此按钮。

打开[用户定义对话框](#)。然后您可以分别设置打印质量级别。

### 色彩/浓度

选择色彩调整方法。

#### 自动

自动调整**青色、品红色、黄色、亮度和对比度**等。

#### 手动

在设置各项设置(如**青色、品红色、黄色、亮度、对比度**等以及**色彩修正方法**)时选择。

### 设置...

将**色彩/浓度**选择为**手动**以启用该按钮。

在**手动色彩调节**对话框中，可以调整[色彩调整选项卡](#)上的各项色彩设置，如**青色、品红色、黄色、亮度和对比度**，并选择[匹配选项卡](#)上的**色彩修正方法**。

## »» 注释

- 如果想使用 ICC 配置文件调整色彩，请使用**手动色彩调节**对话框以设置此配置文件。

### 灰度打印

当打印文档时，该功能将数据转换为单色数据。

选中该复选框以单色打印彩色文档。

### 打印前预览

在实际打印数据前显示打印效果。

选中该复选框以在打印前显示预览。

### 默认值

将修正中所做的设置恢复至默认状态。

单击此按钮会将当前屏幕上的所有设置恢复为默认值(出厂设置)。

## 用户定义对话框

设置质量级别并选择所需的打印质量。

### 质量

可以使用滑动条来调整打印质量级别。

## »» 重要事项

- 根据**介质类型**的设置，可能无法选择某些打印质量级别。

## »» 注释

- **高、标准或经济**打印质量模式与滑动条相关联。因此，移动滑动条时，左侧会显示相应的质量和数值。此操作与**主要**选项卡上的**打印质量**选择为相应的单选按钮时获得的效果相同。

## 色彩调整选项卡

在此选项卡上，可以更改**青色、品红色、黄色、亮度和对比度**选项的设置，从而调整色彩平衡。

### 预览

显示色彩调节的效果。

调整各项目时，色彩和亮度将会改变。

## »» 注释

- 当选中**灰度打印**复选框时，图形以单色显示。

### 查看彩色图案

显示一个图案以查看色彩调节带来的颜色变更。

如果要以一种彩色图案显示预览图像，请选中该复选框。

### 青色/品红色/黄色

调整**青色、品红色和黄色**的强度。

向右移动滑块将使色彩更深，向左移动滑块将使色彩更浅。

也可以直接输入与滑块关联的数值。输入从-50 到 50 范围内的数值。

此调整可更改各色彩使用的相对墨水量，而墨水量可改变文档的整体色彩平衡。如果想有效地更改整体色彩平衡，请使用应用程序。仅当要细微调整色彩平衡，请使用打印机驱动程序。

## »» 重要事项

- 当选中**主要**选项卡上的**灰度打印**复选框时，**青色、品红色和黄色**将显示为灰色且不可用。

### 亮度

调整打印的亮度。您无法更改纯白色和纯黑色水平。但是，可以更改白色和黑色之间色彩的对比度。

向右移动滑块使颜色变亮(减淡)，向左移动此滑块将使颜色变暗(加深)。也可以直接输入与滑块联动的亮度值。输入从-50 到 50 范围内的数值。

### 对比度

调整要打印图像中明暗之间的对比度。

向右移动滑块将增加对比度，向左移动滑块将减少对比度。

也可以直接输入与滑块关联的数值。输入从-50 到 50 范围内的数值。

## 匹配选项卡

可以选择调整色彩的方法以便与要打印文档的类型匹配。

### 色彩修正

可以选择**驱动校正、ICM**或**无**以符合打印操作的用途。

## »» 重要事项

- 当选中**主要**选项卡上的**灰度打印**时，**色彩修正**将显示为灰色且不可用。

### 驱动校正

通过使用 Canon 数码照片色彩，可以使用大众喜爱的色彩打印 sRGB 数据。

## ICM

打印时通过使用 ICC 配置文件调整色彩。

### 重要事项

- 如果设置应用程序软件以便禁用 ICM，则**色彩修正**中的 **ICM** 不可用并且打印机可能无法正确打印图像数据。

## 无

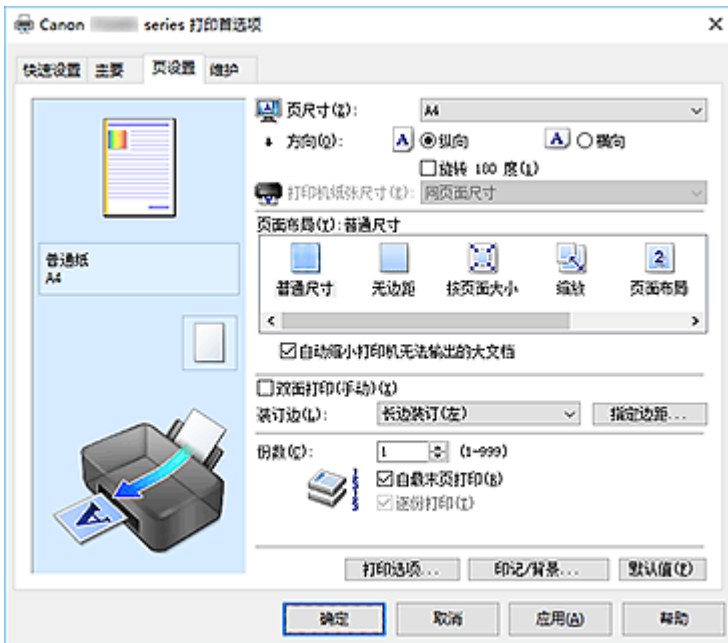
使用打印机驱动程序禁用色彩调整。当在应用程序软件中指定单独创建的打印 ICC 配置文件以打印数据时，请选择此值。

## 相关主题

- 设置打印质量级别(用户定义)
- 调整色彩平衡
- 调节亮度
- 调节对比度
- 指定色彩修正
- 使用打印机驱动程序调整色彩
- 使用 ICC 配置文件进行打印
- 用单色打印彩色文档
- 打印前显示打印效果

## 页设置选项卡的说明

页设置选项卡还允许您决定如何在纸张上排列文档。还可以通过此选项卡设置打印的份数和顺序。如果创建文档的应用程序具有类似的功能，请使用该应用程序进行设置。



### 设置预览

纸张图示显示了如何在一张纸上布置原稿。  
您可以查看整体布局图像。

### 页尺寸

选择页尺寸。  
确保选择与在应用程序中所选择尺寸相同的页尺寸。  
如果选择用户定义...，[用户定义纸张尺寸对话框](#)将打开，可以指定任何垂直和水平尺寸的纸张尺寸。

### 方向

选择打印方向。  
如果用于创建文档的应用程序具有相同的功能，请选择在此应用程序中选择的相同方向。

#### 纵向

打印文档，使顶端和底端位置相对于进纸方向没有更改。此为默认设置。

#### 横向

通过相对于进纸方向旋转 90 度打印文档。

通过转到 Canon IJ Printer Assistant Tool，打开[用户定义设置对话框](#)，然后使用当方向为[横向]时向左旋转 90 度复选框，可以更改旋转方向。

要在打印时将文档向左旋转 90 度，请选中当方向为[横向]时向左旋转 90 度复选框。

#### 旋转 180 度

通过向进纸方向旋转 180 度打印文档。

将在垂直和水平方向上反转其他应用程序软件中配置的打印区域宽度和扩展量。

### 打印机纸张尺寸

选择实际装入打印机的纸张尺寸。

默认设置为同页面尺寸以执行普通尺寸打印。

将页面布局选择为按页面大小、缩放、页面布局、平铺/海报或书册时，可以选择打印机纸张尺寸。



如果选择的纸张尺寸小于页尺寸，则文档尺寸将被缩小。如果选择的纸张尺寸较大，则文档尺寸将被放大。

同样，如果选择用户定义...，[用户定义纸张尺寸对话框](#)将打开，可以指定任何垂直和水平尺寸的纸张尺寸。

## 页面布局

选中待打印文档的尺寸和打印类型。

### 普通尺寸

此为普通打印方法。当未指定任何页面布局时选择该项。

#### 自动缩小打印机无法输出的大文档

如果打印机无法打印文档的纸张尺寸，则打印机可以在打印文档时自动缩小尺寸。

选中该复选框以在打印文档时缩小尺寸。

### 无边距

选择无边距整页上还是带边距整页上打印。

如果使用无边距打印，原稿会被放大且略微超出纸张。这样可以执行无边距(边框)打印。

进行无边距打印时，使用扩展量来调整文档超出纸张的扩展量。

#### 扩展量

进行无边距打印时，调整文档超出纸张的扩展量。

向右移动滑块可增加扩展量并确保无边距打印顺利执行。

向左移动滑块可减少扩展量并扩大文档的打印范围。

### 按页面大小

利用该功能可以自动放大或缩小文档以适合打印机中装入的纸张尺寸，而无需更改在应用程序软件中指定的纸张尺寸。

### 缩放

可以放大或缩小要打印的文档。

在[打印机纸张尺寸](#)中指定尺寸，或在[比例](#)对话框中输入缩放比例。

#### 比例

为要打印的文档指定放大或缩小比例。

### 页面布局

可以在一张纸上打印多页文档。

#### 指定...

打开[页面布局打印对话框](#)。

单击此按钮以设置有关页面布局打印的详细资料。

### 平铺/海报

利用此功能可以放大图像数据并将放大的数据分割成要打印的若干页面。还可以将这些纸张用胶水粘在一起制作大型印刷品，如海报。

#### 指定...

打开[平铺/海报打印对话框](#)。

单击此按钮以设置有关平铺/海报打印的详细资料。

### 书册

书册打印功能可以将数据打印成册。将在纸张的双面打印数据。此打印类型可以确保将打印好的纸张沿中心对折并装订时，能够按照页码顺序正确分页。

#### 指定...

打开[书册打印对话框](#)。

单击此按钮以设置有关书册打印的详细资料。

## 双面打印(手动)

选择是在纸张的双面手动打印文档还是在纸张的单面打印文档。

选中该复选框以在双面打印文档。

只有将**介质类型**选择为**普通纸**，且选择**普通尺寸**、**按页面大小**、**缩放**或**页面布局**中的一项时，才可以使用该功能。

## 装订边

选择装订边位置。

打印机将分析**方向**和**页面布局**设置，并自动选择最佳装订边位置。选中**装订边**，并从列表中选择以进行更改。

## 指定边距...

打开**指定边距对话框**。

可以指定边距的宽度。

## 份数

指定要打印的份数。可以指定一个从 1 到 999 之间的数值。

### 重要事项

- 如果用于创建文档的应用程序具有类似功能，请使用该应用程序指定份数，而不要在此处指定。

## 自最末页打印

要从末页开始打印，请选中该复选框。如果选中该复选框，则无需在打印后将页面排序为正确顺序。

取消选中该复选框可按正常顺序从第一页开始打印文档。

## 逐份打印

当要打印多个副本时，选中该复选框可将各副本的页面组合在一起。

如果要在打印时将同一页码的所有副本组合在一起，请取消选中该复选框。

### 重要事项

- 当创建文档的应用程序软件具有相同的功能时，优先使用打印机驱动程序设置。然而，如果打印结果不能令人满意，请指定应用程序软件上的功能设置。当同时使用应用程序和本打印机驱动程序指定打印份数和打印顺序时，打印份数可能是两个设置的倍数或者指定的打印顺序可能不起作用。

## 打印选项...

打开**打印选项对话框**。

为打印从应用程序发送的打印数据而更改详细的打印机驱动程序设置。

## 印记/背景...

打开**印记/背景对话框**。

**印记**功能可以在文档数据之上或之下打印印记文本或位图。该功能可以打印日期、时间和用户名称。

**背景**功能可以在文档数据之下打印浅色的图案。

根据环境的不同，**印记**和**背景**可能不可用。

## 用户定义纸张尺寸对话框

在该对话框上，您可以指定用户定义纸张的尺寸(宽度和高度)。

### 单位

选择用于输入用户定义纸张尺寸的单位。

### 纸张尺寸

指定用户定义纸张的**宽度**和**高度**。根据**单位**中指定的单位显示测量。

## 页面布局打印对话框

在该对话框上，您可以选择要在一张纸上放置的文档数量、页面顺序以及是否在各文档页面周围打印页面边框线。

可以在打印机驱动程序的设置预览中确认在此对话框中指定的设置。

### 预览图标

显示**页面布局打印**对话框中的设置。

可以在实际打印数据前查看打印效果。

### 页面布局

指定要充满整个页面的文档页数。

### 页序

指定在一张纸上打印的文档方向。

### 页面边框

在各文档页面周围打印页面边框线。

选中该复选框以打印页面边框线。

## 平铺/海报打印对话框

在该对话框上，您可以选择要打印图像的尺寸。还可以对剪切线和粘贴标记进行设置，以便将多个页面粘贴到一张海报中。

可以在打印机驱动程序的设置预览中确认在此对话框中指定的设置。

### 预览图标

显示**平铺/海报打印**对话框的设置。

您可以查看打印效果。

### 图像分割

选择分割数目(垂直 x 水平)。

随着分割数目的增加，打印所需的纸张也会增加。如果将多页粘贴在一起制作海报，增加分割数目可以制作大型海报。

### 在页边打印“剪切/粘贴”

指定是否在边距上打印“剪切”和“粘贴”文字。这些文字可以在将多个页面粘贴到一张海报中时作为指南。

选中该复选框以打印文字。

### »» 注释

- 根据正在使用的打印机驱动程序的环境，此功能可能不可用。

### 在页边打印“剪切/粘贴”线

指定是否打印可在将多个页面粘贴到一张海报中时作为指南的剪切线。

选中该复选框以打印剪切线。

### 打印页范围

指定打印范围。通常情况下选择**全部**。

选择**页数**以指定特定页面或范围。

## »» 注释

- 如果部分页面的打印效果不好，则通过在**页设置**选项卡的设置预览中单击指定不需要打印的页面。此次将只打印屏幕上显示的页面。

## 书册打印对话框

在该对话框上，您可以设置如何将文档装订为书册。还可以在此对话框中设置仅在一面打印以及打印页面边框。

可以在打印机驱动程序的设置预览中确认在此对话框中指定的设置。

### 预览图标

显示在**书册打印**对话框中所做的设置。

您可以在打印为书册时查看文档效果。

### 装订边

指定书册装订面。

### 插入空白页

选择是在书册的单面还是双面打印文档。

选中该复选框以在书册的单面打印文档并从列表中选择保留为空白的一面。

### 边距

指定装订边的宽度。

从纸张的中心算起，该指定宽度为装订边。

### 页面边框

在各文档页面周围打印页面边框线。

选中该复选框以打印页面边框线。

## 指定边距对话框

在该对话框上，可以指定装订边的边距宽度。如果文档不适合在一页上打印，打印时将缩小文档。

### 边距

指定装订边的宽度。

通过**装订边**指定的页边宽度将成为装订边距。

## 打印选项对话框

更改设置以打印发送到打印机的数据。

根据环境的不同，该功能可能不可用。

### 禁用应用程序软件所需的 ICM

禁用应用程序软件所需的 ICM 功能。

当应用程序软件使用 Windows ICM 打印数据时，可能会产生非所需色彩或者打印速度可能变慢。如果出现这些问题，选中该复选框可能会解决问题。

## »» 重要事项

- 在正常情况下取消选中该复选框。
- 将**手动色彩调节**对话框的**匹配**选项卡中的**色彩修正**选择为 **ICM** 时，无法使用该功能。

### 禁用应用程序软件的色彩配置文件设置

选中该复选框会禁用应用程序软件中设置的色彩配置文件中的信息。

当应用程序软件中设置的色彩配置文件中的信息输出到打印机驱动程序时，打印结果可能包含非所需色彩。如果发生这种情况，选中该复选框可能会解决问题。

#### ▶▶▶ 重要事项

- 在正常情况下取消选中该复选框。
- 即使选中该复选框，也仅会禁用色彩配置文件中的某些信息，色彩配置文件仍可用于打印。

### 取消纸张组合

设置介质类型、页尺寸和打印机纸张尺寸的显示方式。

要分别显示项目，请选中该复选框。

要按组显示项目，请清除该复选框。

### 不允许应用程序软件压缩打印数据

禁止压缩应用程序软件打印数据。

如果打印结果中有图像数据缺失或非所需色彩，选中该复选框可能会改善情况。

#### ▶▶▶ 重要事项

- 在正常情况下取消选中该复选框。

### 逐页创建打印数据后打印

以页为单位创建打印数据，并且在处理完每一页打印数据后开始打印。

如果打印的文档包含条纹等非所需结果，选中该复选框可能会改善结果。

#### ▶▶▶ 重要事项

- 在正常情况下取消选中该复选框。

### 防止打印数据丢失

可以缩小应用程序软件创建的打印数据的大小，然后打印这些数据。

根据所使用的应用程序软件，图像数据可能会被裁切或可能无法正确打印。在这种情况下，请选择开。如果不使用该功能，请选择关。

#### ▶▶▶ 重要事项

- 当使用该功能时，根据打印数据，打印质量可能会下降。

### 打印数据处理单元

选择要发送到打印机的打印数据处理单元。

通常情况下选择推荐。

#### ▶▶▶ 重要事项

- 某些设置可能会使用大量内存。  
如果所用计算机只有少量内存，请勿更改该设置。

### 用于打印的墨水

指定打印时使用的墨水。

从所有颜色(默认)和仅黑色中进行选择。

#### ▶▶▶ 重要事项

- 指定如下设置时，仅黑色不起作用，因为打印机使用除黑色以外的墨水打印文档。
  - 在主要选项卡上的介质类型中选择了普通纸以外的其他介质类型
  - 从页设置选项卡上的页面布局列表选择了无边距
- 不要取下未使用的打印头。当取下任一打印头时，将无法执行打印。

## 印记/背景对话框

使用**印记/背景**对话框，可以在文档页面正面或背面打印印记和/或背景。除了预先注册的印记或背景外，可以注册并使用自己原创的印记或背景。

### 印记

印记打印是一项在文档上打印印记的功能。

选中该复选框并从列表中选择标题以打印印记。

### 定义印记...

打开[印记设置对话框](#)。

可以查看所选印记的详细信息或保存新的印记。

### 在文本上盖印记

设置在文档上打印印记的方式。

选中**印记**复选框以启用该设置。

选中该复选框以在打印文档页面之上打印印记。打印数据可能会隐藏在印记之下。

取消选中该复选框以将文档数据打印在印记之上。打印数据将不会隐藏在印记之下。但是，可能会隐藏与文档重叠的印记部分。

### 仅在首页加印记

当文档包含两页或更多页时，选择是仅在第一页上打印印记，还是在所有页上打印印记。

选中**印记**复选框以启用该设置。

选中该复选框以仅在第一页上打印印记。

### 背景

背景打印功能可以在文档之下打印图案或类似对象(位图)。

选中该复选框以打印背景，并从列表中选择标题。

### 选择背景...

打开[背景设置对话框](#)。

可以将位图注册为背景，并更改所选背景的布局方法和浓度。

### 仅在首页加背景

当文档包含两页或更多页时，选择是仅在第一页上打印背景，还是在所有页上打印背景。

选中**背景**复选框以启用该设置。

选中该复选框以仅在第一页上打印背景。

## 印记选项卡

在印记选项卡上可以设置要用于印记的文本和位图文件(.bmp)。

### 预览窗口

显示在各个选项卡中配置的印记状态。

### 印记类型

指定印记类型。

选择**文本**以使用字符创建印记。选择**位图**以使用位图文件创建。选择**日期/时间/用户名称**以显示打印文档的创建日期/时间和用户名称。

印记选项卡中的设置项目会根据所选类型而变化。

- 对于**文本**注册，必须已在**印记文本**中输入了字符。如有必要，更改 **TrueType 字体、风格、大小和外框**的设置。可以通过单击**选择颜色...**来选择印记的颜色。

- 对于**位图**，单击**选择文件...**并选择要使用的位图文件(.bmp)。如有必要，请更改**大小**和**透明白色区**的设置。
- 对于**日期/时间/用户名称**，打印对象的创建日期/时间和用户名称将显示在**印记文本**中。如有必要，更改 **TrueType 字体**、**风格**、**大小**和**外框**的设置。可以通过单击**选择颜色...**来选择印记的颜色。

### 当印记类型为文本或日期/时间/用户名称时

#### 印记文本

指定印记文本串。

最多可以输入 64 个字符。

对于**日期/时间/用户名称**，打印对象的创建日期/时间和用户名称将显示在**印记文本**中。

#### ▶▶▶ 重要事项

- 如果选择了**日期/时间/用户名称**，则**印记文本**显示为灰色且不可用。

#### TrueType 字体

选择印记文本串的字体。

#### 风格

选择印记文本串的字体样式。

#### 大小

选择印记文本串的字号。

#### 外框

选择围绕印记文本串的外框。

如果**大小**选择为较大的字号，字符可能会延伸到印记边框以外。

#### 颜色/选择颜色...

显示印记的当前颜色。

要选择其他颜色，请单击**选择颜色...**打开**颜色**对话框，并选择或创建要用于印记的颜色。

### 当印记类型为位图时

#### 文件

指定要用作印记的位图文件的名称。

#### 选择文件...

打开用于打开文件的对话框。

单击该按钮选择要用作印记的位图文件。

#### 大小

调整要用作印记的位图文件的大小。

向右移动滑块将增加大小，向左移动滑块将减小大小。

#### 透明白色区

指定是否使位图的白色填充区域变为透明。

选中该复选框以使位图的白色填充区域变为透明。

#### ▶▶▶ 注释

- 单击**默认值**可将**印记类型**设置为文本、将**印记文本**设置为空白、将 **TrueType 字体**设置为 Arial、将**风格**设置为常规、将**大小**设置为 36 磅，取消选中**外框**，并将**颜色**设置为灰色，RGB 值(192、192、192)。

## 放置选项卡

在放置选项卡上，可以设置印记的打印位置。

### 预览窗口

显示在各个选项卡中配置的印记状态。

### 位置

指定页面上的印记位置。

从列表中选择**用户定义**，可以直接输入 **X 轴位置**和 **Y 轴位置**的坐标值。

您也可以在预览窗口中拖动印记更改印记位置。

### 旋转

指定印记的旋转角度。可以通过输入角度值来设置角度。

负值会使印记顺时针旋转。

#### ▶▶▶ 注释

- 仅将**印记**选项卡上的**印记类型**选择为**文本**或**日期/时间/用户名称**时，**旋转**才能启用。

#### ▶▶▶ 注释

- 单击**默认值**可将印记位置设置为**居中**并将旋转设置为“0”。

## 保存设置选项卡

在**保存设置**选项卡上，可以注册新的印记或删除不需要的印记。

### 标题

输入标题以保存所创建的印记。

最多可以输入 64 个字符。

#### ▶▶▶ 注释

- 标题的开头和末尾不能输入空格、制表符和回车。

### 印记

显示已保存印记的标题列表。

在**标题**中指定标题以显示相应的印记。

### 保存/保存改写

保存印记。

在**标题**中输入标题，然后单击该按钮。

### 删除

删除不需要的印记。

从**印记**列表中指定不需要的印记的标题，然后单击该按钮。

## 背景选项卡

在背景选项卡上可以选择要用作背景的位图文件(.bmp)或决定打印所选背景的方式。

### 预览窗口

显示在**背景**选项卡上设置的位图状态。

### 文件

指定要用作背景的位图文件的名称。



### 选择文件...

打开用于打开文件的对话框。

单击该按钮选择要用作背景的位图文件(.bmp)。

### 布局方法

指定如何在纸张上放置背景图像。

当选择**用户定义**时，可以设置 **X 轴位置**和 **Y 轴位置**的坐标。

您也可以在预览窗口中拖动图像来更改背景位置。

### 浓度

调整要用作背景的位图的浓度。

向右移动滑块将增加浓度，向左移动将减少浓度。要以原始位图浓度打印背景，请将滑块移至最右端。

### ►► 注释

- 根据环境的不同，该功能可能不可用。
- 单击**默认值**可将**文件**设置为空白，**布局方法**设置为**填充页**，并将**浓度**滑块设置为中间位置。

## 保存设置选项卡

在**保存设置**选项卡上，可以注册新的背景或删除不需要的背景。

### 标题

输入标题以保存所指定的背景图像。

最多可以输入 64 个字符。

### ►► 注释

- 标题的开头和末尾不能输入空格、制表符和回车。

### 背景

显示已注册背景的标题列表。

在**标题**中指定标题以显示相应的背景。

### 保存/保存改写

将图像数据保存为背景。

插入**标题**后，单击该按钮。

### 删除

删除不需要的背景。

从**背景**列表中指定不需要的背景的标题，然后单击该按钮。

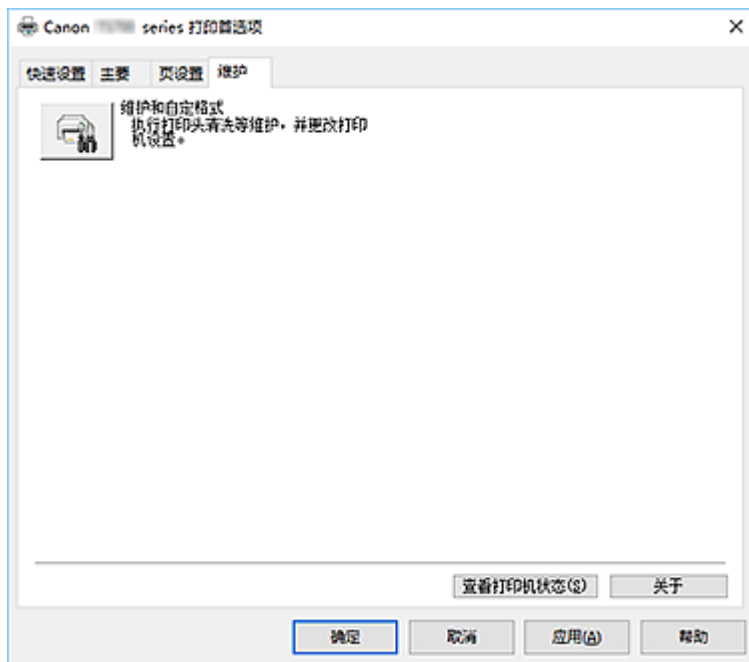
## 相关主题

- 设置纸张尺寸(用户定义尺寸)
- [设置页尺寸和方向](#)
- [执行无边距打印](#)
- 按页面大小打印
- [比例打印](#)
- [页面布局打印](#)
- 平铺/海报打印
- 书册打印

- [双面打印](#)
- 设置装订边距
- [设置打印份数和打印顺序](#)
- [更改打印选项](#)
- 印记/背景打印

## 维护选项卡的说明

使用**维护**选项卡，可以启动 Canon IJ Printer Assistant Tool 或查看打印机状态。



### 维护和自定格式

启动 Canon IJ Printer Assistant Tool。  
可以执行打印机维护或更改打印机设置。

### 查看打印机状态

启动 Canon IJ Status Monitor。  
当想要查看打印机状态以及打印作业如何进行时，请执行该功能。

### 关于

打开[关于对话框](#)。  
可以查看打印机驱动程序版本以及版权通知。  
此外，可切换要使用的语言。

## 关于对话框

单击**关于**时，会显示**关于对话框**。  
该对话框显示打印机驱动程序的版本、版权以及模块列表。可以选择要使用的语言并切换在设置窗口中显示的语言。

### 模块

列出打印机驱动程序模块。

### 语言

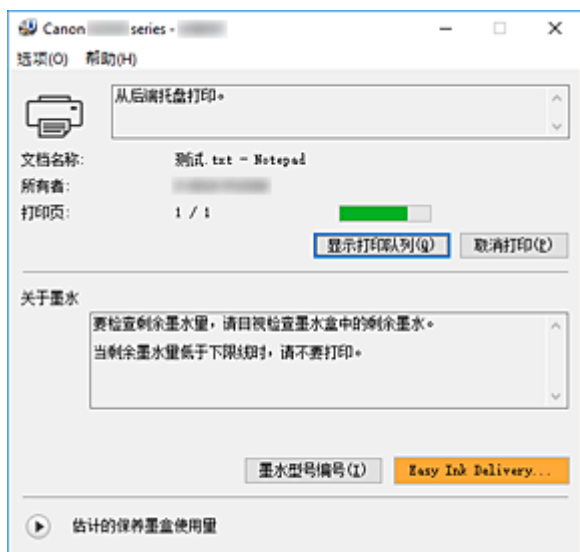
指定想要在[打印机驱动程序设置窗口](#)中使用的语言。

### 重要事项

- 如果系统中没有安装显示所选语言的字体，则字符将显示为乱码。

## Canon IJ Status Monitor 的说明

Canon IJ Status Monitor 显示打印机状态以及打印进程。通过状态监视器中的图标和信息显示打印机状态。



## Canon IJ Status Monitor 的功能

Canon IJ Status Monitor 具有以下功能：

### 在屏幕上显示打印机状态

状态监视器实时显示打印机状态。  
可以检查每个要打印的文档(打印作业)的进程。

### 显示错误内容和纠正步骤

状态监视器会显示打印机上发生的所有错误信息。  
然后可以立即检查要执行何种措施。

## Canon IJ Status Monitor 概述

Canon IJ Status Monitor 显示与打印机状态和墨水相关的图标和信息。

打印过程中，可以查看正在打印文档和打印进程的信息。

如果发生错误，状态监视器会显示错误内容和如何纠正错误的说明。按照信息进行操作。

### 打印机

当打印机出现警告或错误时，Canon IJ Status Monitor 会显示相应图标。



：有警告。



：有人为操作错误。



：有除警告或错误以外的通知。



：已出现需要维修的错误。

### 文档名称

正在打印的文档的名称。

### 所有者

正在打印的文档的所有者名称。

## 打印页

当前页面的页码和总页数。

## 显示打印队列

控制当前文档和等待打印文档的打印队列。

## 取消打印

取消打印。

## 关于墨水


显示关于墨水的信息。

### 墨水型号编号

可以查找所用打印机的正确墨水型号编号。

## 估计的保养墨盒使用量

显示图标以报告保养墨盒中的可用空间不足或墨盒已满。

单击  (可展开三角形) 以显示保养墨盒的估计使用量图示。

## 选项菜单

如果显示打印机信息，请选择 **启动 Status Monitor** 以启动 Canon IJ Status Monitor。

选择 **启动状态监视器** 以使用以下命令：

### 始终显示当前任务

只要有文档正在打印，则会显示 Canon IJ Status Monitor。

### 始终显示在最前部

将 Canon IJ Status Monitor 显示在其他窗口前面。

### 自动显示警告

#### 当出现保养墨盒警告时

出现保养墨盒剩余空间警告时，Canon IJ 状态监视器将自动启动并显示在所有其他窗口的前方。

### Windows 启动时开始

Windows 启动时会自动启动 Canon IJ Status Monitor。

## 帮助菜单

选择此菜单可显示包括版本和版权信息在内的 Canon IJ Status Monitor 的帮助信息。

## 相关主题

■ [Canon IJ Status Monitor](#)

## 安装打印机驱动程序

您可以通过互联网访问我们的网站，并为您的机型下载最新的打印机驱动程序。

### 1. 启动安装程序

双击下载文件的图标。  
安装程序开始。

#### 重要事项

- 启动、安装或卸载软件时，可能会出现确认/警告对话框。  
当需要管理权限以执行任务时，会出现该对话框。  
当您以计算机管理员帐户登录时，单击**是**(或**继续**、**允许**)以继续。  
有些应用程序需要计算机管理员帐户才能继续。在这种情况下，请切换到管理员帐户，然后重新开始操作。

### 2. 安装打印机驱动程序

请按照屏幕上的说明采取适当的操作。

### 3. 完成安装

单击**退出**。

根据使用的环境，可能会出现提示您重新启动计算机的信息。要正确完成安装，请重新启动计算机。

#### 重要事项

- 打印机驱动程序可以免费下载，但是您必须自己支付网络连接的费用。

## 相关主题

- 获取最新的打印机驱动程序
- 删除不需要的打印机驱动程序
- 安装打印机驱动程序之前

## 使用 Canon 应用程序软件打印

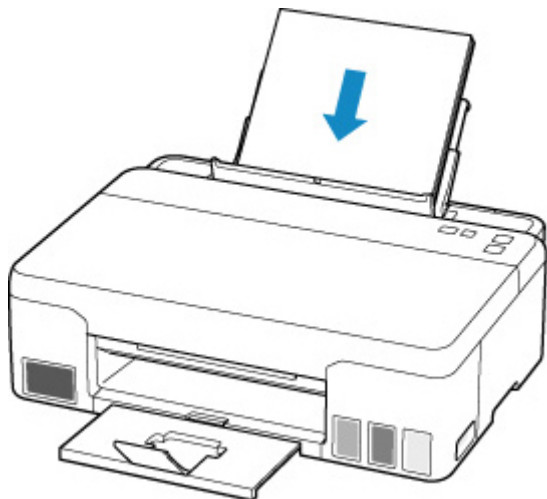
---

- ▶ Easy-PhotoPrint Editor 指南

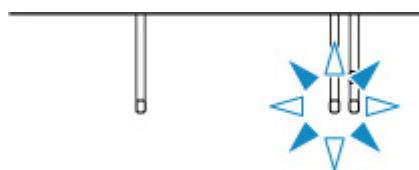
## 纸张设置

通过注册纸张尺寸，当装入纸张的尺寸与打印设置不同时，可以在开始打印前使警告指示灯闪烁以防止打印机打印错误。

### 装入纸张后：



纸张指示灯闪烁。



根据装入的纸张设置纸张尺寸。

根据纸张尺寸设置介质类型。

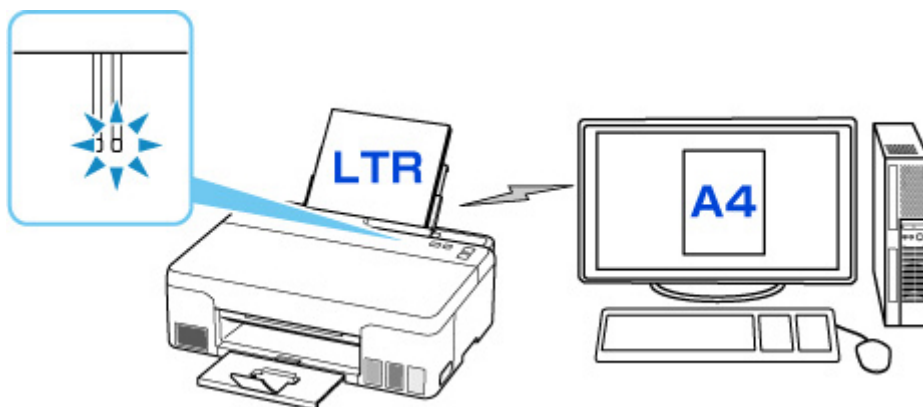
纸张尺寸	介质类型
A4、Letter、Legal	普通纸
KG/10x15cm(4x6)	照片纸

### 用于打印的纸张尺寸设置与为打印机设置的纸张尺寸不同时：

例如：

- 用于打印的纸张尺寸设置：A4
- 打印机上的纸张尺寸设置：Letter





开始打印时，**警告**指示灯和与打印时设置的纸张尺寸对应的**纸张**指示灯将闪烁。

选择以下任一操作。

#### 使用用于打印的纸张尺寸设置进行打印

在装入的纸张上打印而不更改纸张尺寸设置。按 **OK** 按钮。

例如，当用于打印的纸张尺寸设置为 A4，而打印机上的纸张尺寸设置为 Letter 时，打印机将在装入的纸张上以 A4 进行打印。

#### 更换纸张后打印

更换装入后端托盘的纸张后进行打印。

例如，当用于打印的纸张尺寸设置为 A4，而打印机上的纸张尺寸设置为 Letter 时，请在开始打印前装入 A4 尺寸纸张。

更换纸张后，根据后端托盘中装入的纸张设置纸张尺寸。

#### 取消打印

按**停止**按钮可取消打印，更改为打印指定的纸张尺寸设置。请再次尝试打印。

## 显示防止误打印的错误代码的默认设置

#### • 从智能手机或平板电脑打印时：

默认启用防止误打印的错误代码。

要更改设置：

1. [确认打印机是否已开启。](#)
2. 按住**停止**按钮，并在**警告**指示灯闪烁 10 次后松开。

显示错误代码的功能已禁用。

#### »» 注释

- 要启用纸张不匹配检测功能，请按住**停止**按钮并在**警告**指示灯闪烁 9 次后松开。

#### • 从 Windows 打印时：

默认禁用防止误打印的错误代码。

要更改设置：

## ■ 更改打印机操作模式

### • 从 macOS 打印时：

默认启用防止误打印的错误代码。

要更改设置：

## ■ 更改打印机操作模式

## ▶▶ 重要事项

- 如果禁用了防止错误打印的信息，即使用于打印的纸张尺寸设置与打印机上设置的纸张尺寸设置不同，打印机也会开始打印。

## 常见问题



打印

- [打印机不打印](#)
- [打印输出空白/模糊不清/颜色不准确或渗出/出现条纹或线条](#)
- [打印输出的结果不理想](#)
- [卡纸处理方法](#)



安装

- [安装打印机驱动程序失败\(Windows\)](#)



错误

- [出现错误时](#)
- [出现信息\(支持代码\)](#)
- [维修打印机](#)

## 解决问题

### 打印机不工作

- [打印机未开启](#)
- [打印机意外关闭或反复关闭](#)
- [USB 连接问题](#)
- [无法通过 USB 与打印机通讯](#)
- [打印机不打印](#)
- [打印中止](#)
- [墨水没有喷出](#)
- [卡纸处理方法](#)
- [打印机不取纸或不进纸/“无纸”错误](#)
- [打印输出的结果不理想](#)

### 无法正确设置(安装)

- [安装打印机驱动程序失败\(Windows\)](#)

### 出现错误或信息

- [出现错误时](#)
- [出现信息\(支持代码\)](#)
- [与错误对应的支持代码列表](#)

## 操作的问题

- [打印问题](#)
- [机械问题](#)
- [安装和下载问题](#)
- [错误和信息](#)

- 如果无法解决问题
- 维修打印机
- 检查打印头状态

## 打印问题

---

- ▶ 打印机不打印
- ▶ 墨水没有喷出
- ▶ 墨水快速用完
- ▶ 打印机不取纸或不进纸/“无纸”错误
- ▶ 打印输出的结果不理想



## 打印机不打印



### 检查 1 确保打印机已开启。

如果没有，请确保插头已稳固插入打印机，然后按**电源**按钮开启打印机。

打印机正在初始化时，**电源**指示灯会闪烁。请等待至**电源**指示灯停止闪烁并持续亮起。

### ▶▶▶ 注释

- 如果正在打印大量数据(如照片或其他图形)，可能需要更长的时间才能开始打印。计算机正在处理数据并将其发送到打印机时，**电源**指示灯会闪烁。请等待至打印开始。

### 检查 2 确保打印机已正确连接到计算机。

确保 USB 电缆线已稳固连接到打印机和计算机。USB 电缆线插头已稳固地插入时，请检查以下内容：

- 如果正在使用继电器设备(如 USB 集线器)，请断开连接，将打印机直接连接到计算机，并重试打印。如果打印正常开始，则继电器设备有问题。请与继电器设备厂商联系。
- 也可能是 USB 电缆线有问题。更换 USB 电缆线并重试打印。

### 检查 3 确保打印时指定的纸张尺寸与打印机中注册的纸张尺寸相符。

如果打印时指定的纸张设置与打印机中注册的纸张尺寸不同，将会出现错误。

如果打印机中注册的纸张尺寸大于打印时指定的纸张尺寸，请按打印机上的 **OK** 按钮进行打印。

如果按了 **OK** 按钮也无法清除错误，请按**停止**按钮停止打印，调整纸张尺寸以使其相符，然后再次尝试打印。

### 检查 4 如果从计算机打印，请删除不需要的打印作业。

#### • 对于 Windows：

- 删除不需要的打印作业

#### • 对于 macOS：

- 删除不需要的打印作业

### 检查 5 打印时是否已选择打印机的打印机驱动程序？

如果正在使用的是其他打印机的打印机驱动程序，则打印机将无法正确打印。

#### • 对于 Windows：

确保在打印对话框中选择了“Canon XXX series”（“XXX”表示打印机的名称）。

### ▶▶▶ 注释

- 如果计算机上注册了多个打印机，请将您的打印机设置为默认打印机，以默认选择该打印机。

- 对于 macOS:

确保在打印对话框的**打印机**中选择了所用打印机的名称。

»» **注释**

- 如果计算机中注册了多个打印机，请为一台打印机选择**系统偏好设置 > 打印机与扫描仪**中的**设置为默认打印机**，以默认选择该打印机。

**检查 6** 要打印较大的数据文件吗？(Windows)

如果要尝试打印大型数据文件，需要较长时间才会开始打印。

如果一段时间后打印机未开始打印，请在**打印选项**对话框将**防止打印数据丢失**选择为**开**。

有关详细资料，请参阅[页设置选项卡的说明](#)。

»» **重要事项**

- 将**防止打印数据丢失**选择为**开**时，打印质量可能会降低。
- 打印完成后，请将**防止打印数据丢失**选择为**关**。

**检查 7** 重新启动计算机。

重新启动计算机，然后重试打印。

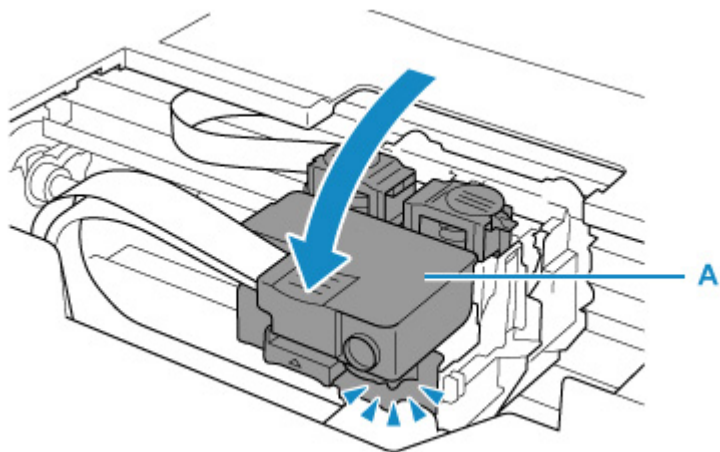


## 墨水没有喷出

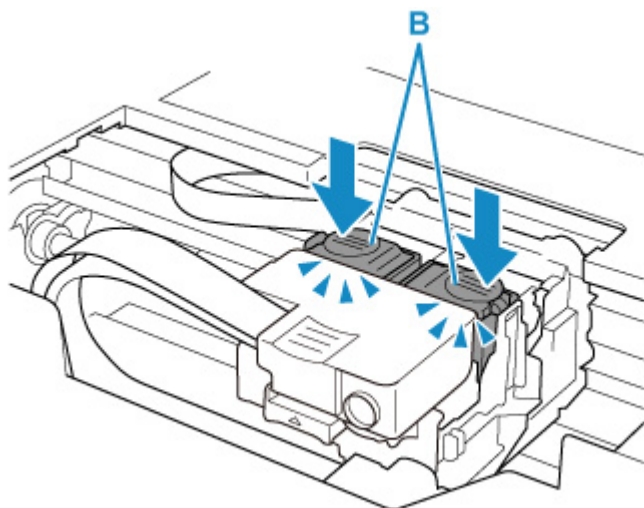


**检查 1** 确保连接按钮未抬起。

按打印头锁定盖(A)以确保打印头正确安装。



然后，适当用力将连接按钮(B)推到底。



### 重要事项

- 安装打印头时，请确保已取下橙色标签和保护胶带。
- 请勿随意打开打印头锁定盖(A)。墨水可能会泄漏。

■ 检查打印头安装

**检查 2** 查看剩余墨水量。



## ■ 检查墨水量

### 检查 3 打印头喷嘴是否堵塞？

打印喷嘴检查图案并确保墨水正常喷出。

有关打印喷嘴检查图案、打印头清洗和打印头深度清洗的详细资料，请参见[如果打印变得暗淡或不均匀](#)。

#### || 步骤 1 打印喷嘴检查图案。

打印喷嘴检查图案之后，检查该图案。

- 从打印机
  - [打印喷嘴检查图案](#)
- 从计算机
  - 对于 Windows：
    - [打印喷嘴检查图案](#)
  - 对于 macOS：
    - [打印喷嘴检查图案](#)

如果图案未正确打印，请转到下一步骤。

#### || 步骤 2 清洗打印头。

清洗打印头后，打印喷嘴检查图案并查看效果。

- 从打印机
  - [清洗打印头](#)
- 从计算机
  - 对于 Windows：
    - [清洗](#)
  - 对于 macOS：
    - [清洗](#)

如果仍未改善，请转到下一步骤。

#### || 步骤 3 再次清洗打印头。

再次清洗打印头后，请打印喷嘴检查图案并查看效果。

如果仍未改善，请转到下一步骤。

#### || 步骤 4 深度清洗打印头。

深度清洗打印头后，打印喷嘴检查图案并查看效果。

- 从计算机
  - 对于 Windows：
    - [深度清洗](#)
  - 对于 macOS：
    - [深度清洗](#)

如果未改善，请关闭打印机，等待至少 24 小时，然后转到下一步骤。

#### || 步骤 5 再次深度清洗打印头。

再次深度清洗打印头后，打印喷嘴检查图案并查看效果。

如果仍未改善，请转到下一步骤。

#### || 步骤 6 执行墨水系统冲洗。

执行墨水系统冲洗后，打印喷嘴检查图案并查看效果。

墨水系统冲洗会消耗大量墨水。频繁进行墨水系统冲洗会迅速消耗墨水，因此请仅在需要时执行冲洗。

- **对于 Windows：**
  - 墨水系统冲洗
- **对于 macOS：**
  - 墨水系统冲洗

如果执行墨水系统冲洗后喷嘴检查图案仍未正确打印，请检查打印头的安装情况。

- 检查打印头安装

## 重要事项

- 在剩余墨水量不足时执行墨水系统冲洗，可能会损坏打印机。

执行墨水系统冲洗前，请查看所有颜色的剩余墨水量。

- **对于 Windows：**
  - 墨水系统冲洗
- **对于 macOS：**
  - 墨水系统冲洗

## 注释

- 虽然可能会有空气进入墨水管，但这不是故障。如果喷嘴检查图案可以正确打印，则没问题。



## 墨水快速用完

---



再填充墨水盒后，打印机从墨水盒吸入墨水，墨水流入打印机。

由于此过程，墨水可能看起来快速用完。



## 打印机不取纸或不进纸/“无纸”错误

---



**检查 1** 确保已装入纸张。

■ [装入纸张](#)

**检查 2** 装入纸张时，请注意以下事项。

- 装入两张或更多纸张时，装入纸张前请首先将纸张的边缘对齐。
- 装入两页或更多纸张时，请确保纸叠不超过纸张装入限量。

但是，根据纸张的类型或环境状况(很高或很低的温度或湿度)，纸张可能无法以此最大容量正确送入。在这种情况下，请将一次装入的纸张数减少到纸张装入限量的一半以下。

- 无论打印方向如何，请务必纵向装入纸张。
- 装入纸张时，将纸张的打印面向上并使左右两侧纸张导片与纸叠对齐。

■ [装入纸张](#)

**检查 3** 纸张是否过厚或卷曲？

■ [不支持的介质类型](#)

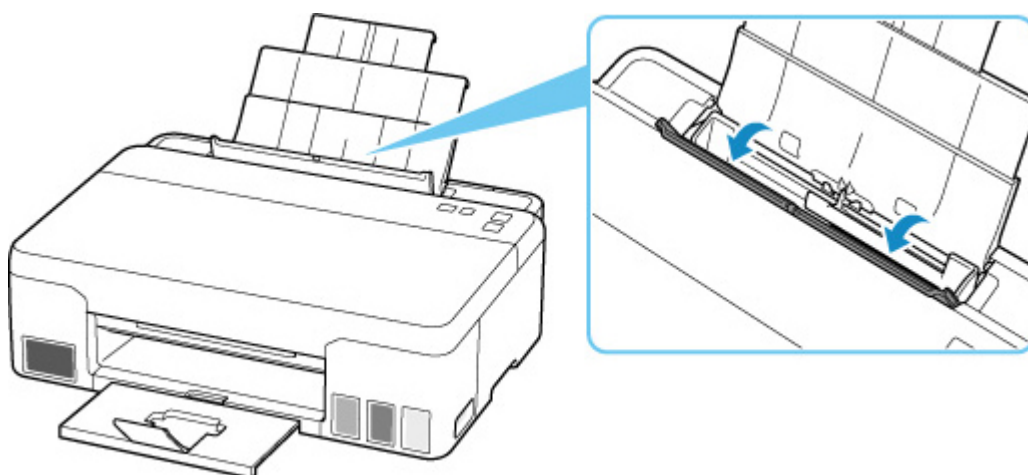
**检查 4** 确保介质类型和纸张尺寸设置与已装入的纸张一致。

**检查 5** 确保后端托盘中没有任何异物。

如果纸张在后端托盘中撕裂，请参见[卡纸处理方法](#)以将其取出。

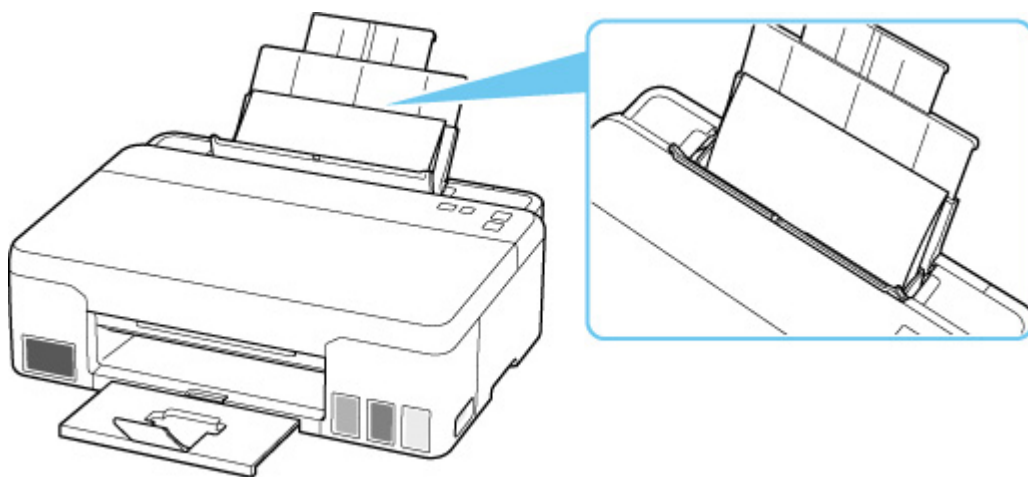
如果后端托盘中存在异物，请按照以下步骤将其移除。

1. 关闭打印机电源，然后从插座上拔出电源插头。
2. 打开进纸插槽盖板。



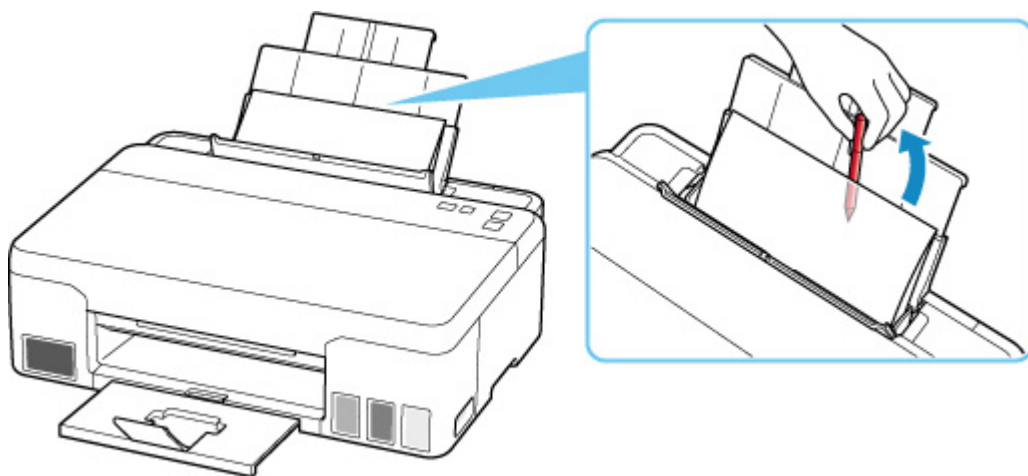
3. 将一张 A4 纸对折，然后将其横向放入后端托盘中。

放入纸张以防止在取出异物时您的手直接碰触后端托盘中心部分。



4. 放入纸张的状态下，用手取出异物。

取出异物时，将手放在放入的纸张和后端托盘之间。



5. 取出在步骤 3 中放入的折纸。

6. 慢慢关闭进纸插槽盖板。

### ▶▶▶ 重要事项

- 请勿倾斜或倒置打印机。如此操作可能会导致墨水漏出。

### 检查 6 清洁进纸滚轴。

#### ■ [清洁进纸滚轴](#)

如果以上措施未能解决问题，请与最近的 Canon 服务中心联系以要求维修。

### ▶▶▶ 重要事项

- 移动时请勿倾斜打印机，因为墨水可能会漏出。
- 运输打印机以进行维修时，请参见维修打印机。



## 打印输出的结果不理想



如果由于白色条纹、线条偏移/歪斜或颜色不均匀而造成打印效果不理想，请首先确认纸张和打印质量设置。

### 检查 1 页尺寸和介质类型设置是否与已装入纸张的尺寸和类型一致？

如果这些设置不匹配，则无法获得理想的结果。

如果打印照片或插图，不正确的纸张类型设置可能会降低打印输出色彩的质量。

同样，如果使用错误的纸张类型设置打印，则打印面可能出现划痕。

如果使用无边距打印，根据不同的纸张类型设置和所装入纸张的组合，可能出现颜色不均匀。

根据打印机的用途，检查纸张和打印质量设置的方法有所不同。

可以使用打印机驱动程序检查介质类型设置。

#### ■ 基本打印设置

### 检查 2 确保在计算机上选择了适当的打印质量。

选择适用于纸张和打印内容的打印质量。如果发现模糊不清或颜色不均匀，请提高打印质量设置并重试打印。

可以使用打印机驱动程序检查打印质量设置。

#### ■ 更改打印质量及修正图像数据

### 检查 3 如果问题未解决，另请检查以下内容。

另请参见以下章节：

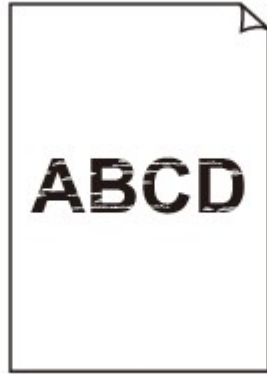
- [打印输出空白/模糊不清/颜色不准确或渗出/出现条纹或线条](#)
- [颜色不清晰](#)
- [线条未对齐/变形](#)
- [纸张出现污迹/打印面有划痕](#)
- [图像旁边有垂直线条](#)
- 无法完成打印
- 线条不完整或缺失(Windows)
- 图像不完整或缺失(Windows)
- 墨水渍/纸张卷曲
- 纸张背面出现污迹
- 颜色不均匀或有条纹



## 打印输出空白/模糊不清/颜色不准确或渗出/出现条纹或线条



### 打印模糊不清

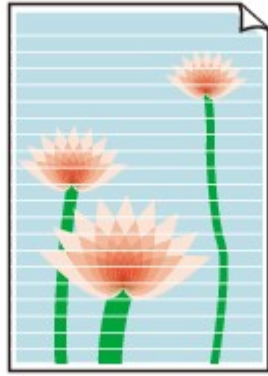


### 颜色错误





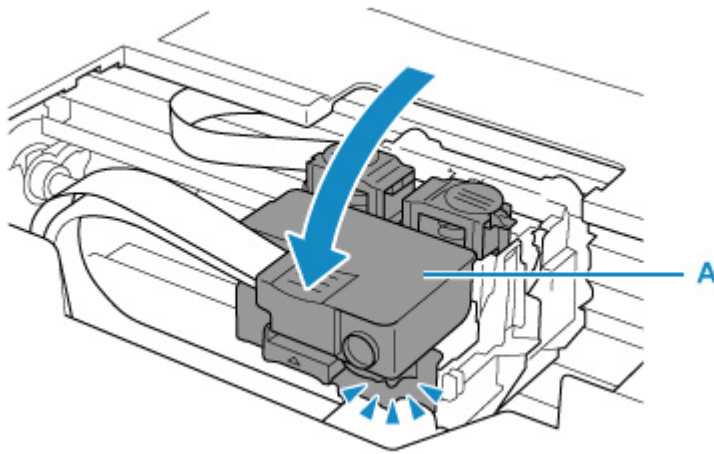
 出现白色条纹



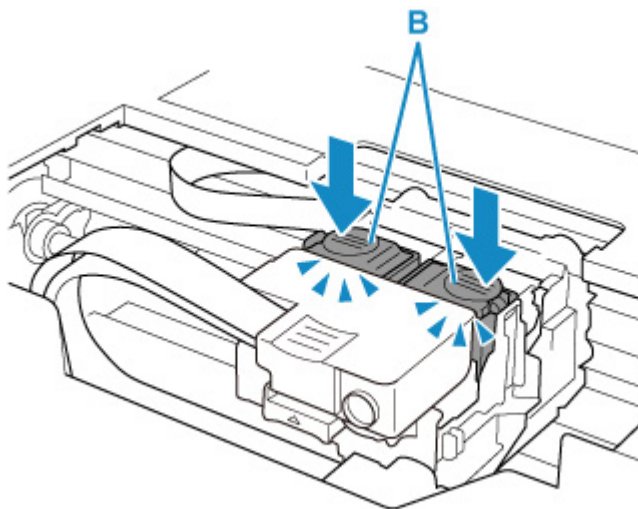
# A

**检查 1** 确保连接按钮未抬起。

按打印头锁定盖(A)以确保打印头正确安装。



然后，适当用力将连接按钮(B)推到底。



## 重要事项

- 安装打印头时，请确保已取下橙色标签和保护胶带。
- 请勿随意打开打印头锁定盖(A)。墨水可能会泄漏。

### ■ 检查打印头安装

## 检查 2 检查纸张和打印质量设置。

### ■ [打印输出的结果不理想](#)

## 检查 3 打印头喷嘴是否堵塞？

打印喷嘴检查图案并确保墨水正常喷出。

有关打印喷嘴检查图案、打印头清洗和打印头深度清洗的详细资料，请参见[如果打印变得暗淡或不均匀](#)。

### 步骤 1 打印喷嘴检查图案。

打印喷嘴检查图案之后，检查该图案。

- 从打印机
  - [打印喷嘴检查图案](#)
- 从计算机
  - 对于 Windows：
    - 打印喷嘴检查图案
  - 对于 macOS：
    - 打印喷嘴检查图案

如果图案未正确打印，请转到下一步骤。

### 步骤 2 清洗打印头。

清洗打印头后，打印喷嘴检查图案并查看效果。

- 从打印机
  - [清洗打印头](#)
- 从计算机
  - 对于 Windows：
    - 清洗
  - 对于 macOS：
    - 清洗

如果仍未改善，请转到下一步骤。

### 步骤 3 再次清洗打印头。

再次清洗打印头后，请打印喷嘴检查图案并查看效果。

如果仍未改善，请转到下一步骤。

### 步骤 4 深度清洗打印头。

深度清洗打印头后，打印喷嘴检查图案并查看效果。

- 从计算机
  - 对于 Windows：
    - 深度清洗

• 对于 macOS:

■ 深度清洗

如果未改善, 请关闭打印机, 等待至少 24 小时, 然后转到下一步骤。

|| 步骤 5 再次深度清洗打印头。

再次深度清洗打印头后, 打印喷嘴检查图案并查看效果。

如果仍未改善, 请转到下一步骤。

|| 步骤 6 执行墨水系统冲洗。

执行墨水系统冲洗后, 打印喷嘴检查图案并查看效果。

墨水系统冲洗会消耗大量墨水。频繁进行墨水系统冲洗会迅速消耗墨水, 因此请仅在需要时执行冲洗。

• 对于 Windows:

■ 墨水系统冲洗

• 对于 macOS:

■ 墨水系统冲洗

如果执行墨水系统冲洗后喷嘴检查图案仍未正确打印, 请检查打印头的安装情况。

■ 检查打印头安装

▶▶▶ 重要事项

- 在剩余墨水量不足时执行墨水系统冲洗, 可能会损坏打印机。

执行墨水系统冲洗前, 请查看所有颜色的剩余墨水量。

■ 对于 Windows:

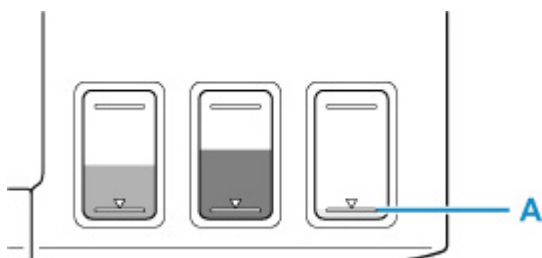
■ 墨水系统冲洗

■ 对于 macOS:

■ 墨水系统冲洗

检查 4 墨水盒中的墨水用完时, 请再填充墨水盒。

如果剩余墨水量低于下限线(A), 请使用相应颜色的墨水对墨水盒进行再填充。



如果打印机墨水盒已用到空, 请再填充墨水盒, 然后执行墨水系统冲洗。

■ 再填充墨水盒

• 对于 Windows:

■ 墨水系统冲洗

• 对于 macOS:

■ 墨水系统冲洗

**检查 5** 使用仅一面可打印的纸张时，请检查正确的纸张打印面。

在这种纸张错误的一面上打印可能会造成打印不清晰或打印质量降低。

在后端托盘中装入纸张时，将纸张打印面向上装入。

有关可打印面的详细信息，请参阅纸张附带的说明手册。

#### **»» 注释**

- 虽然可能会有空气进入墨水管，但这不是故障。如果喷嘴检查图案可以正确打印，则没问题。

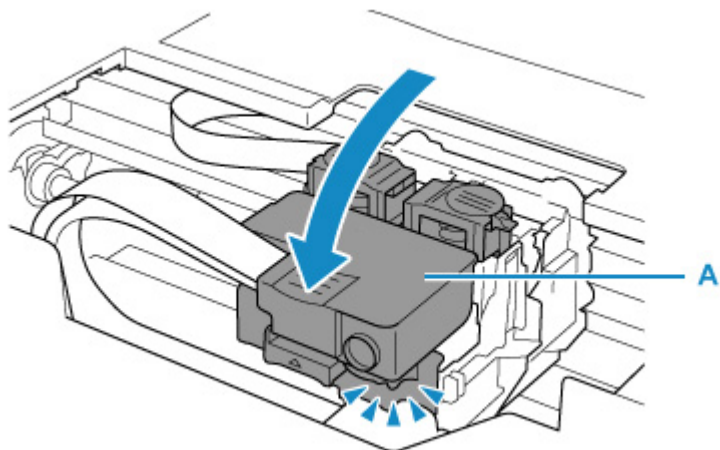


## 颜色不清晰

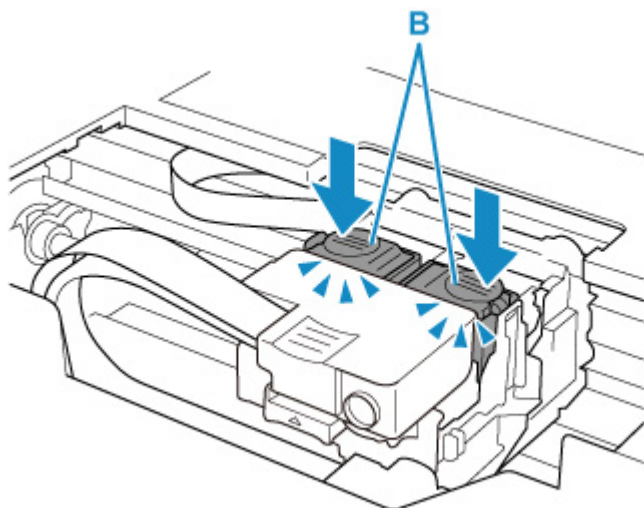


**检查 1** 确保连接按钮未抬起。

按打印头锁定盖(A)以确保打印头正确安装。



然后，适当用力将连接按钮(B)推到底。



### 重要事项

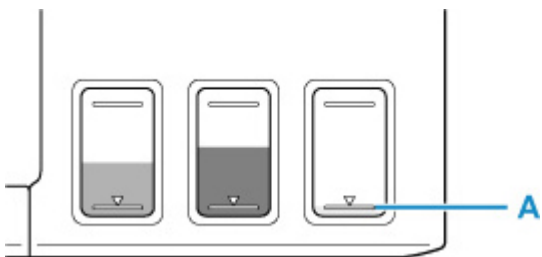
- 安装打印头时，请确保已取下橙色标签和保护胶带。
- 请勿随意打开打印头锁定盖(A)。墨水可能会泄漏。

■ 检查打印头安装

**检查 2** 查看剩余墨水量。

墨水盒中的墨水用完时，请再填充墨水盒。

如果剩余墨水量低于下限线(A)，请使用相应颜色的墨水对墨水盒进行再填充。



### ►► 注释

- 由于生成色彩的方法存在根本性的差异，打印色彩可能与屏幕色彩不一致。色彩控制设置和环境的差别也会影响色彩在屏幕上的显示效果。因此，打印结果的颜色可能与屏幕上显示的颜色有所不同。

### 检查 3 打印头喷嘴是否堵塞？

打印喷嘴检查图案并确保墨水正常喷出。

有关打印喷嘴检查图案、打印头清洗和打印头深度清洗的详细资料，请参见[如果打印变得暗淡或不均匀](#)。

#### 步骤 1 打印喷嘴检查图案。

打印喷嘴检查图案之后，检查该图案。

- 从打印机
  - [打印喷嘴检查图案](#)
- 从计算机
  - 对于 Windows：
    - [打印喷嘴检查图案](#)
  - 对于 macOS：
    - [打印喷嘴检查图案](#)

如果图案未正确打印，请转到下一步骤。

#### 步骤 2 清洗打印头。

清洗打印头后，打印喷嘴检查图案并查看效果。

- 从打印机
  - [清洗打印头](#)
- 从计算机
  - 对于 Windows：
    - [清洗](#)
  - 对于 macOS：
    - [清洗](#)

如果仍未改善，请转到下一步骤。

#### 步骤 3 再次清洗打印头。

再次清洗打印头后，请打印喷嘴检查图案并查看效果。

如果仍未改善，请转到下一步骤。

#### 步骤 4 深度清洗打印头。

深度清洗打印头后，打印喷嘴检查图案并查看效果。

- 从计算机
  - 对于 Windows：
    - 深度清洗
  - 对于 macOS：
    - 深度清洗

如果未改善，请关闭打印机，等待至少 24 小时，然后转到下一步骤。

#### 步骤 5 再次深度清洗打印头。

再次深度清洗打印头后，打印喷嘴检查图案并查看效果。

如果仍未改善，请转到下一步骤。

#### 步骤 6 执行墨水系统冲洗。

执行墨水系统冲洗后，打印喷嘴检查图案并查看效果。

墨水系统冲洗会消耗大量墨水。频繁进行墨水系统冲洗会迅速消耗墨水，因此请仅在需要时执行冲洗。

- 对于 Windows：
  - 墨水系统冲洗
- 对于 macOS：
  - 墨水系统冲洗

如果执行墨水系统冲洗后喷嘴检查图案仍未正确打印，请检查打印头的安装情况。

- 检查打印头安装

### 重要事项

- 在剩余墨水量不足时执行墨水系统冲洗，可能会损坏打印机。  
执行墨水系统冲洗前，请查看所有颜色的剩余墨水量。

- 对于 Windows：
  - 墨水系统冲洗
- 对于 macOS：
  - 墨水系统冲洗

### 注释

- 虽然可能会有空气进入墨水管，但这不是故障。如果喷嘴检查图案可以正确打印，则没问题。



## 线条未对齐/变形



**检查 1** 检查纸张和打印质量设置。

■ [打印输出的结果不理想](#)

**检查 2** 执行打印头对齐。

如果打印的线条没有对齐/歪斜或打印效果不理想，请调整打印头位置。

• **对于 Windows:**

■ 调整打印头位置

• **对于 macOS:**

■ 调整打印头位置

**检查 3** 提高打印质量并再次尝试打印。

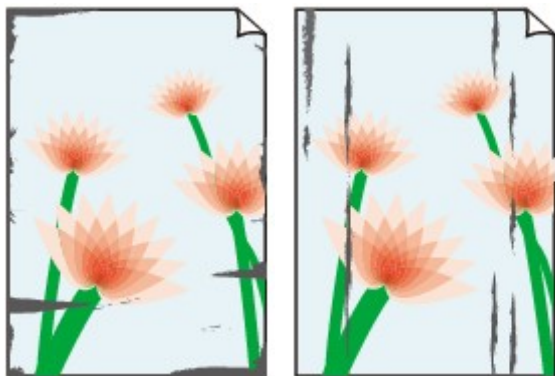
使用打印机驱动程序提高打印质量可能改善打印结果。





## 纸张出现污迹/打印面有划痕

### 纸张出现污迹



边缘有污迹

表面有污迹

---

### 打印面有划痕



**检查 1** 检查纸张和打印质量设置。

■ [打印输出的结果不理想](#)

**检查 2** 检查纸张类型。

确保正在使用正确的纸张进行打印。

■ [支持的介质类型](#)

**检查 3** 装入纸张前平整卷曲。

使用亚高光泽照片纸时，即使纸张卷曲，也请按原样一次装入一张纸。如果向相反方向卷起纸张以平整纸张，可能造成纸张表面出现裂纹并降低打印质量。

建议将未用完的纸张放回包装并将其平展放置。

#### • 普通纸

翻转纸张并重新装入以在另一面上打印。

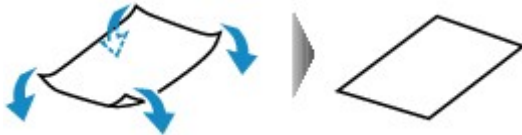
将纸张装入后端托盘较长时间可能会造成纸张卷曲。在这种情况下，请将纸张的另一面向上装入。这可能会解决问题。

## • 其他纸张

如果纸张四角的卷曲高度超过 3 毫米/0.1 英寸(A)，纸张可能出现污迹或可能无法正确送入。按照以下说明平整纸张卷曲。



1. 如下图所示，向纸张卷曲的相反方向卷起纸张。

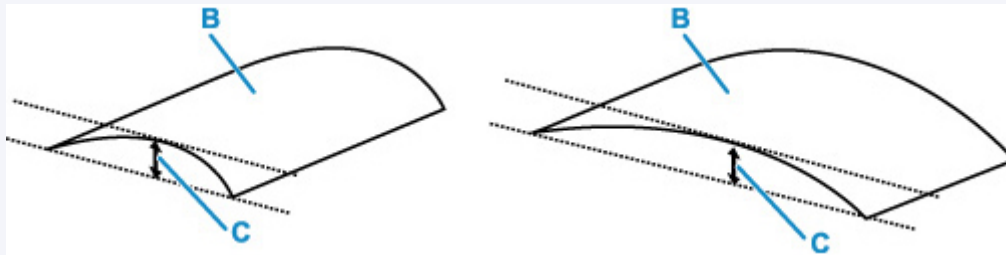


2. 确认纸张现在已平展。

建议每次使用一张平整后的纸张打印。

### ►► 注释

- 根据纸张类型，即使纸张未向内卷曲也可能出现污迹或无法正确送入。打印前请按照以下说明向外卷曲纸张，并且高度在 3 毫米/0.1 英寸(C)以内。这可能会改善打印效果。



(B) 打印面

建议每次送入一张向外卷曲过的纸张。

### 检查 4 设置打印机以防止纸张磨损。

调整防止纸张磨损的设置时会增加打印头与纸张之间的间隙。如果发现介质类型设置与纸张正确匹配时仍出现磨损，请使用操作面板或计算机设置打印机以防止纸张磨损。

这可能会降低打印速度。

\* 完成打印后，请撤销此设置。否则，此设置将应用于后续打印作业。

## • 从操作面板

按住**停止**按钮，并在警告指示灯闪烁 5 次后松开。

■ [从操作面板更改设置](#)

## • 从计算机(Windows):

1. 确认打印机是否已开启。
2. 打开 Canon IJ Printer Assistant Tool。
  - 打开维护工具(Canon IJ Printer Assistant Tool)
3. 选择用户定义设置。
4. 选中防止纸张磨损复选框，然后选择确定。
5. 查看信息并选择确定。

## • 从计算机(macOS):

从远程用户界面调整设置以防止纸张磨损。

- 打开远程用户界面进行维护

### 检查 5 如果亮度设置较低，请提高亮度设置并再次尝试打印。(Windows)

如果正在使用低亮度设置在普通纸上打印，纸张可能会吸收过多墨水并卷曲，造成纸张磨损。

- 调节亮度

### 检查 6 进纸滚轴是否脏污？

清洁进纸滚轴。

- [清洁进纸滚轴](#)

### 检查 7 打印机内部是否脏污？

在双面打印过程中，墨水可能会弄脏打印机内部，使打印输出脏污。

执行底板清洁可清洁打印机内部。

- [清洁打印机内部\(底板清洁\)](#)

## ▶▶▶ 注释

- 要防止打印机内部脏污，请务必设置正确的纸张尺寸。

### 检查 8 设置更长的墨水晾干时间。

此功能可以晾干打印面，避免出现污迹和划痕。

## • 对于 Windows:

1. 确认打印机是否已开启。
2. 打开 Canon IJ Printer Assistant Tool。
  - 打开维护工具(Canon IJ Printer Assistant Tool)

3. 选择**用户定义设置**。

4. 拖动**墨水晾干等待时间**滑动条以设置等待时间，然后选择**确定**。

5. 查看信息并选择**确定**。

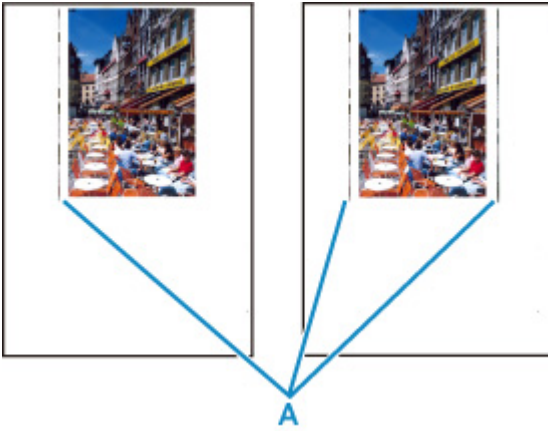
• **对于 macOS:**

使用远程用户界面设置等待时间。

■ 打开远程用户界面进行维护



## 图像旁边有垂直线条



### 检查 装入的纸张尺寸是否正确？

如果装入的纸张尺寸大于指定的尺寸，可能会在左侧边距或两侧边距中出现垂直线条(A)。

设置纸张尺寸以匹配装入的纸张。

### 打印输出的结果不理想

#### 注釋

- 根据不同图像数据或打印设置，垂直线条(A)的方向或图案可能有所不同。
- 本打印机在必要时执行自动清洁以保持打印输出干净。清洁时会喷出少量的墨水。

虽然墨水通常喷在纸张外边缘的墨水收集器上，但如果装入的纸张尺寸大于设置的尺寸，墨水也可能会喷到纸张上。

## 机械问题

---

- ▶ 打印机未开启
- ▶ 打印机意外关闭或反复关闭
- ▶ **USB 连接问题**
- ▶ 无法通过 **USB** 与打印机通讯



## 打印机未开启

---



**检查 1** 按**电源按钮**。

■ [电源供应](#)

**检查 2** 确保电源插头已稳固地连接到打印机，然后重新开启。

**检查 3** 拔出打印机插头，至少等待 2 分钟，然后重新插入插头并再次开启。

如果此操作未能解决问题，请与最近的 Canon 服务中心联系以要求维修。

### 重要事项

- 移动时请勿倾斜打印机，因为墨水可能会漏出。
- 运输打印机以进行维修时，请参见维修打印机。



## 打印机意外关闭或反复关闭

---



**检查** 如果将打印机设置为一段时间后自动关闭，请禁用此设置。

如果将打印机设置为在指定时间后自动关闭，则该时间过后，电源将自动关闭。  
从计算机禁用该设置。

### • 对于 Windows:

按照以下步骤使用 Canon IJ Printer Assistant Tool 禁用该设置。

1. 打开 Canon IJ Printer Assistant Tool。
  - 打开维护工具(Canon IJ Printer Assistant Tool)
2. 选择**自动电源**。
3. 将**自动电源关闭**选择为**禁用**。
4. 选择**确定**。
5. 在显示的屏幕上选择**确定**。  
用于自动关闭电源的设置被禁用。

### • 对于 macOS:

使用远程用户界面禁用该设置。

- [管理打印机电源](#)





## USB 连接问题



出现以下任一情况时，请确认以下检查项。

- 打印速度慢。
- Hi-Speed USB 连接不工作。
- 显示如“**此设备可提高性能**”等信息。(Windows)

### 注釋

- 如果系统环境不支持 Hi-Speed USB，则打印机将以较慢的 Full-Speed 或 Low-Speed 速度工作。在这种情况下，打印机可正常工作，但打印速度可能会因通讯速度而降低。

**检查** 检查以下各项以确保系统环境支持 Hi-Speed USB 连接。

- 计算机的 USB 端口是否支持 Hi-Speed USB 连接？
- USB 电缆线或 USB 集线器是否支持 Hi-Speed USB 连接？  
务必使用合格的 Hi-Speed USB 电缆线。建议使用长度不超过约 3 米/10 英尺的 USB 电缆线。
- Hi-Speed USB 驱动程序是否在计算机上正常工作？  
确保最新 Hi-Speed USB 驱动程序正常工作，并在必要时为计算机获取并安装最新版本的 Hi-Speed USB 驱动程序。

### 重要事項

- 有关更多信息，请联系计算机、USB 电缆线或 USB 集线器制造商。



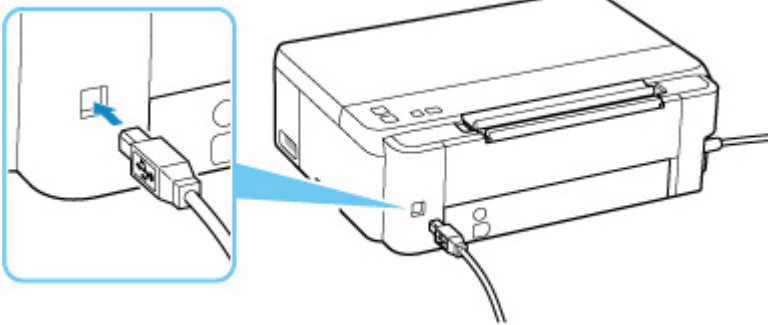
## 无法通过 USB 与打印机通讯



**检查 1** 确保打印机已开启。

**检查 2** 正确连接 USB 电缆线。

如下图所示，USB 端口位于打印机后部。



### 重要事项

- 检查“Type-B”接口的方向，然后连接到打印机。有关详细资料，请参阅 USB 电缆线附带的说明手册。

**检查 3** 确保在**打印机属性**对话框的**端口**选项卡中已选择**启用双向支持**。(Windows)

否则，请选择该项，以启用双向支持。

■ [打开打印机驱动程序](#)的设置屏幕

## 安装和下载问题

---

- ▶ 安装打印机驱动程序失败(Windows)



## 安装打印机驱动程序失败(Windows)

---



如果没有正确安装打印机驱动程序，请确保已应用所有 **Windows 更新**。如果尚未应用所有的 **Windows 更新**，请应用所有 **Windows 更新**。

确认 **Windows 更新**后，请执行以下操作以安装打印机驱动程序。

1. 打开打印机驱动程序卸载屏幕。

**对于 Windows 10:**

选择**设置** > **程序**。

**对于 Windows 8.1/Windows 7:**

选择**控制面板** > **程序和功能**。

2. 检查要安装的“**Canon XXX series Printer Driver**”是否显示在列表中。

“XXX”表示型号名称。

3. 如果找到要安装的打印机的驱动程序，请将其卸载。

如果找不到，请继续执行下一步。

4. 重新启动计算机。

重新启动后，请安装最新的打印机驱动程序。



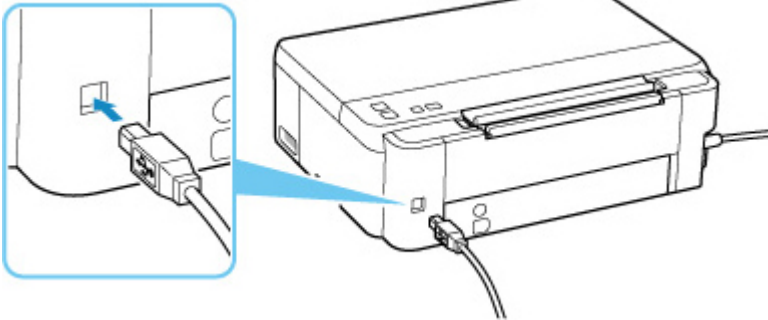
## 在打印机连接屏幕后无法继续操作(找不到通过 USB 连接的打印机)



如果在**打印机连接**屏幕以后无法继续操作，请检查以下内容。

**检查 1** 确保 USB 电缆线已稳固地插入打印机和计算机中。

如下图所示，使用 USB 电缆线连接打印机和计算机。USB 端口位于打印机后部。




### 重要事项

- 检查“Type-B”接口的方向，然后连接到打印机。有关详细资料，请参阅 USB 电缆线附带的说明手册。

**检查 2** 请按照以下步骤再次连接打印机和计算机。

### 重要事项

- 对于 macOS，确保锁定图标位于**打印机和扫描仪**屏幕的左下方。

如果显示  图标(已锁定)，请单击图标以解锁。(需要管理员名称和密码才能解锁。)

1. 从打印机和计算机拔出 USB 电缆线，然后再次连接。
2. 确保没有进行任何打印机操作，然后将其关闭。
3. 开启打印机。

**检查 3** 请按照以下步骤重新安装打印机驱动程序。

1. 下载最新的打印机驱动程序。
2. 关闭打印机。
3. 关闭计算机。

关机后，请重新启动计算机并安装步骤 1 中下载的最新版本打印机驱动程序。

## 错误和信息

---

- ▶ 出现错误时
- ▶ 出现信息(支持代码)

## 出现错误时

如果打印时发生错误(例如, 纸张用完或卡纸), **警告**指示灯将闪烁, 或**电源**指示灯和**警告**指示灯将交替闪烁。

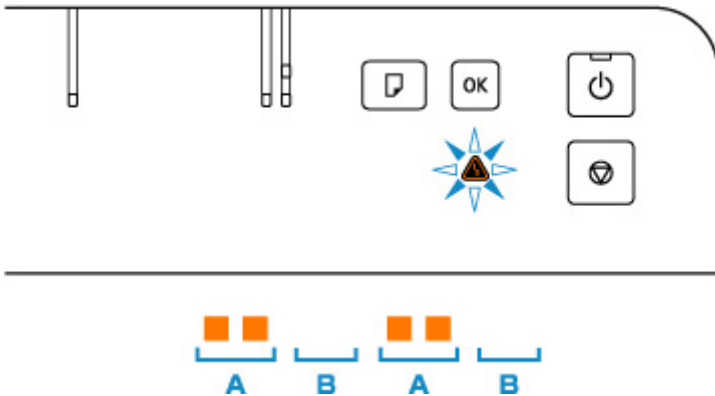
对于 Windows, 计算机屏幕上会显示支持代码(错误编号)。

对于 macOS, 可以在远程用户界面上检查支持代码(错误编号)。

检查指示灯的状态和信息, 然后采取适当措施。

### 警告指示灯闪烁的次数所对应的支持代码

闪烁 2 次的示例:



(A) 闪烁

(B) 熄灭

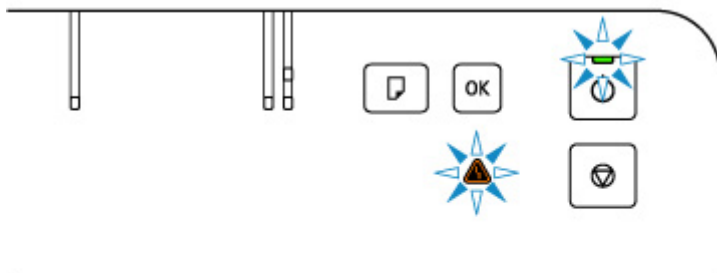
闪烁次数	原因	支持代码
闪烁 2 次	打印机缺纸或没有送入纸张。	<a href="#">1000</a>
	进纸滚轴脏污, 无法进纸。	<a href="#">1070</a>
	如果 <b>纸张</b> 指示灯也闪烁: 打印机驱动程序中的纸张尺寸设置与打印机中注册的纸张尺寸不匹配。	<a href="#">2114</a>
闪烁 3 次	出纸托盘或后端托盘中卡纸。	<a href="#">1300</a>
闪烁 4 次	未正确安装打印头。	1470
闪烁 5 次	墨水阀关闭。	1366
	无法识别打印头。	1431
		1432
		1471
未安装合适的打印头。	1476	
闪烁 8 次	未安装保养墨盒。	<a href="#">1723</a>
	当前安装的保养墨盒无法与本打印机一起使用。	<a href="#">1724</a>



	无法识别保养墨盒。	<a href="#">1496</a> <a href="#">1725</a>
	保养墨盒将满。	<a href="#">1727</a>
	保养墨盒已满。	<a href="#">1726</a>
闪烁 9 次	运输过程中用于固定的胶带或保护材料可能仍附在打印头固定器上。	<a href="#">1890</a> 1892
闪烁 11 次	使用当前打印设置无法执行打印。	<a href="#">4103</a>
	指定了无法送入的纸张尺寸。	4104
闪烁 14 次	无法识别打印头。	1473
闪烁 15 次	无法识别打印头。	1472
闪烁 25 次	临近更换内部零件的时间。	<a href="#">2200</a>

## 电源指示灯和警告指示灯交替闪烁次数对应的支持代码

闪烁 2 次的示例：



(A) 交替闪烁

(B) 熄灭

闪烁次数	原因	支持代码
闪烁 2 次	发生打印机错误。	<a href="#">5100</a>
闪烁 3 次	发生打印机错误。	<a href="#">6000</a>
闪烁 4 次	发生打印机错误。	5C30
闪烁 5 次	发生打印机错误。	5700
闪烁 6 次	发生打印机错误。	5400 6D01
闪烁 8 次	发生打印机错误。	<a href="#">5200</a>

		5205 5206
闪烁 9 次	发生打印机错误。	6800 6801
闪烁 10 次	出现了需要维修的故障。	7500 7600 7700 7800 B20B
除上述以外的其他情况	发生打印机错误。	6500 6930 6931 6932 6933 6940 6941 6942 6943 6944 6945 6946

## 支持代码和信息显示在计算机屏幕上时(Windows):

Canon [redacted] series - [redacted]

支持代码: 1000

纸张已用完。  
介质类型: 普通纸  
页尺寸: A4

**1**  1. 在后端托盘中装入纸张。

**2**  2. 按打印机的“OK”按钮。

如果错误仍然存在

取消打印

有关如何解决带支持代码的错误的详细资料, 请参见[与错误对应的支持代码列表](#)。

有关如何解决不带支持代码的错误的详细资料, 请参见[出现信息\(支持代码\)](#)。

## 出现信息(支持代码)

本节介绍可能出现的一些信息。

### »» 注释

- 某些错误会显示支持代码(错误编号)。有关带支持代码的错误的详细资料,请参见[与错误对应的支持代码列表](#)。

如果计算机上出现信息,请参见以下内容。

- [显示有关电源线被拔出的错误\(Windows\)](#)
- [写入错误/输出错误/通讯错误\(Windows\)](#)
- [其他错误信息\(Windows\)](#)

### 显示有关电源线被拔出的错误(Windows)

打印机插头可能在其处于开启状态时被拔出。

检查计算机屏幕上显示的错误信息,并单击**确定**。

打印机开始打印。

请参见[拔出打印机插头](#)以正确拔出打印机插头。

### 写入错误/输出错误/通讯错误 (Windows)

**检查 1** 如果**电源**指示灯已熄灭,请确保插入打印机插头并将其开启。

打印机正在初始化时,**电源**指示灯会闪烁。请等待至**电源**指示灯停止闪烁并持续亮起。

**检查 2** 确保 USB 电缆线已稳固地插入打印机和计算机中。

USB 电缆线插头已稳固地插入时,请检查以下内容:

- 如果正在使用继电器设备(如 USB 集线器),请断开连接,将打印机直接连接到计算机,并重试打印。如果打印正常开始,则继电器设备有问题。请与继电器设备厂商联系。
- 也可能是 USB 电缆线有问题。更换 USB 电缆线并重试打印。

**检查 3** 确保打印机驱动程序已正确安装。

请按照删除不需要的打印机驱动程序中所述的步骤卸载打印机驱动程序,然后单击此处重新安装。

**检查 4** 从计算机检查设备状态。

请按照以下步骤检查设备状态。

1. 选择**控制面板 > 硬件和声音 > 设备管理器**。

### »» 注释

- 如果出现**用户帐户控制**屏幕,请选择**继续**。

2. 打开 **USB 打印支持属性**。

双击**通用串行总线控制器**，然后双击 **USB 打印支持**。

### »» 注释

- 如果没有显示 **USB 打印支持属性** 屏幕，请确保打印机已正确连接到计算机。

■ **检查 2** [确保 USB 电缆线已稳固地插入打印机和计算机中。](#)

### 3. 单击**常规**选项卡并检查设备问题。

如果显示设备错误，请参见 Windows 帮助以解决该错误。

## 其他错误信息(Windows)

**检查** 如果打印机状态监视器外出现错误信息，请检查以下内容：

- “**硬盘空间不足，无法成功地执行后台处理**”

删除不需要的文件以增加磁盘可用空间。

- “**内存不足，无法成功地执行后台处理**”

关闭其他应用程序以增加可用的内存。

如果仍然无法打印，请重新启动计算机并重试打印。

- “**找不到打印机驱动程序**”

请按照删除不需要的打印机驱动程序中所述的步骤卸载打印机驱动程序，然后单击此处重新安装。

- “**无法打印应用程序名称 - 文件名称**”

完成当前作业后，请再次试打印。

## 与错误对应的支持代码列表

发生错误时，计算机屏幕上会出现支持代码。

“支持代码”表示错误编号，并伴随错误信息一起出现。

发生错误时，请检查支持代码并采取相应的措施。

### 支持代码出现在打印机的 LCD 屏幕和计算机屏幕上

#### • 1000 到 1ZZZ

[1000](#) [1070](#) [1200](#) 1215 [1300](#) 1366

[1368](#) 1431 1432 1470 1471 1472

1473 1476 [1496](#) 15A0 [1640](#) [1723](#)

[1724](#) [1725](#) [1726](#) [1727](#) [1890](#) 1892

#### • 2000 到 2ZZZ

[2114](#) 2123 [2200](#)

#### • 3000 到 3ZZZ

3442 3443 3444 3445

#### • 4000 到 4ZZZ

[4103](#) 4104

#### • 5000 到 5ZZZ

[5100](#) [5200](#) 5205 5206 5400 5700

5C30

#### • 6000 到 6ZZZ

[6000](#) 6500 6800 6801 6930 6931

6932 6933 6940 6941 6942 6943

6944 6945 6946 6D01

#### • 7000 到 7ZZZ

7500 7600 7700 7800

• A000 到 ZZZZ

B20B

»» 注释

• 有关如何处理卡纸的信息，请参见[卡纸处理方法](#)。

## 卡纸处理方法

---

如果卡纸，请按照如下所示的适当步骤取出卡纸。

- 如果在出纸槽中或后端托盘中可以看到卡纸：
  - [1300](#)
- 如果纸张撕裂且无法从出纸槽中取出卡纸，或如果打印机内部发生卡纸：
  - [打印机内卡纸](#)
- 除上述以外的其他情况：
  - 其他情况



## 原因

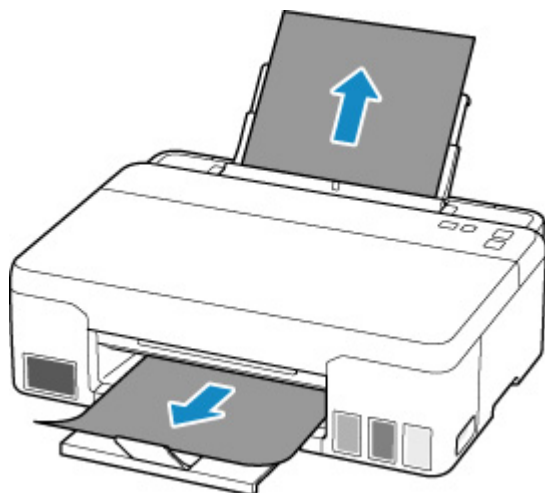
从后端托盘送入纸张时卡纸。

## 处理方法

按照以下说明取出卡纸。

1. 请从出纸槽或后端托盘选择较容易拉出的一端，慢慢地拉出纸张。

用双手捏住纸张，然后慢慢将其拉出以免撕裂。



### 注 释

- 如果无法拉出卡纸，请重新开启打印机，无需强行拉出。纸张可能会自动输出。
- 如果在打印过程中卡纸，并且需要关闭打印机才能将其取出，请在关闭打印机之前按打印机的**停止**按钮停止打印。
- 如果纸张撕裂且无法从出纸槽或后端托盘中取出卡纸，则从打印机内部取出卡纸。

#### ■ [打印机内卡纸](#)

2. 重新装入纸张并按打印机的 **OK** 按钮。

打印机恢复打印。如果正在打印的页面因为卡纸而未正确打印，请重新打印该页。

如果在步骤 1 中关闭打印机，将取消打印队列中所有作业。重新打印。

### 注 释

- 重新装入纸张时，请确保使用合适的纸张并将其正确装入打印机。
- 建议使用除 A5 以外的纸张尺寸打印照片或图形文档。A5 纸张在从打印机输出时，可能会卷曲并卡纸。

如果以上措施未能解决问题，请与最近的 Canon 服务中心联系以要求维修。

## 重要事项

- 移动时请勿倾斜打印机，因为墨水可能会漏出。
- 运输打印机以进行维修时，请参见维修打印机。

## 打印机内卡纸

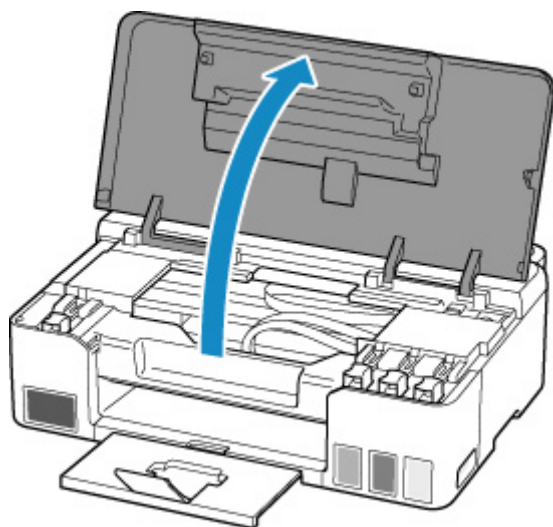
如果卡纸撕裂，并且无法从出纸槽或进纸插槽取出，或者如果卡纸仍留在打印机内，请按照以下说明取出卡纸。

### 注釋

- 如果在打印过程中卡纸，并且需要关闭打印机才能将其取出，请在关闭打印机之前按打印机的**停止按钮**停止打印。

1. 关闭打印机并拔出插头。

2. 打开上盖。



### 重要事項

- 请勿触摸透明薄膜(A)、白色带子(B)或导管(C)。

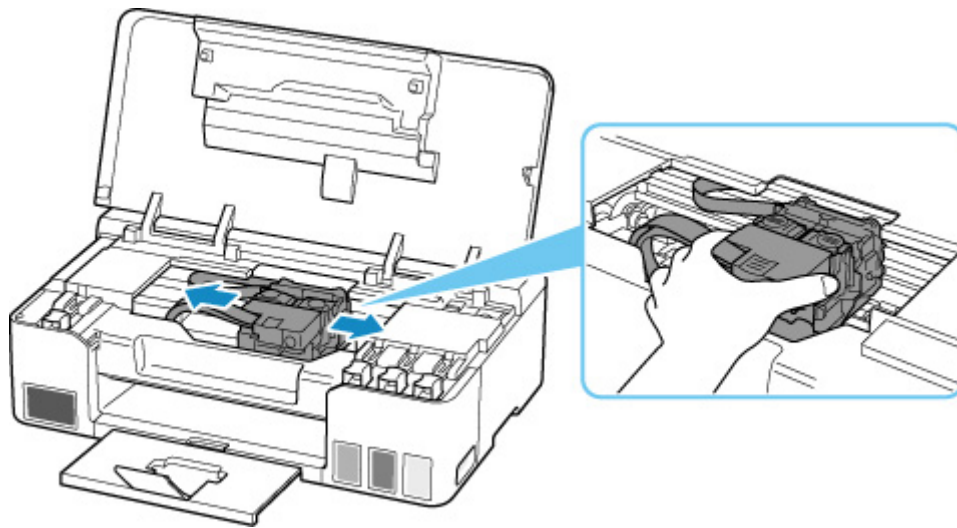


如果用纸张或手碰触到这个部件而将其弄脏或划伤，可能会损坏打印机。

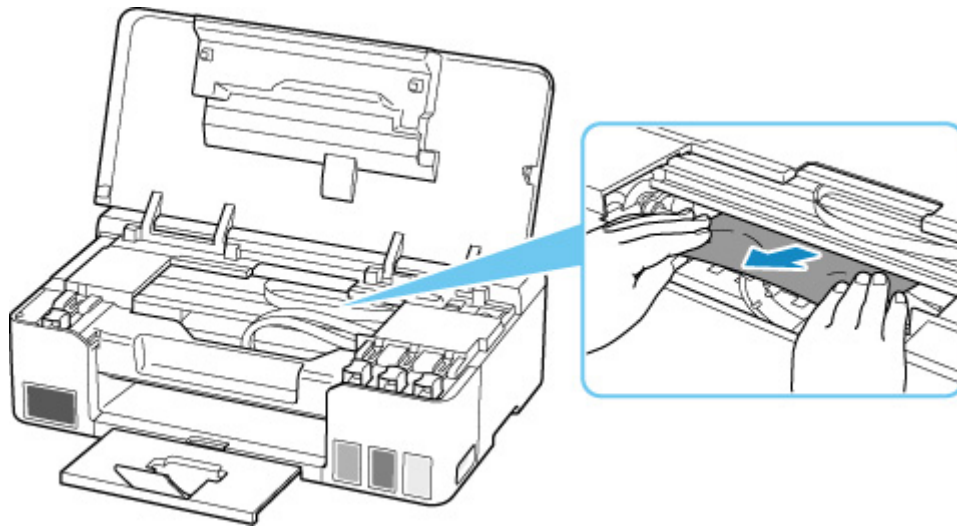
3. 检查卡纸是否在打印头固定器下方。

如果卡纸在打印头固定器下方，请将打印头固定器移动到右边缘或左边缘(更容易取出卡纸的一侧)。

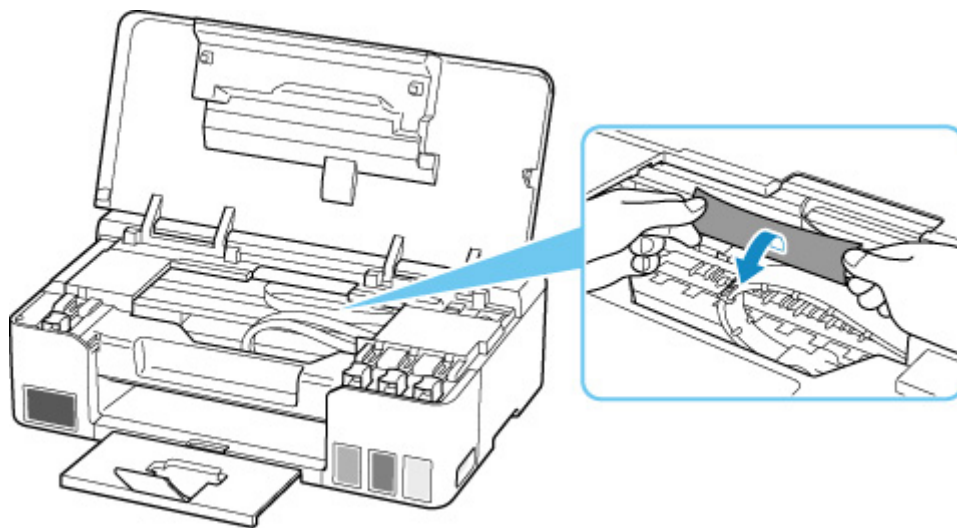
移动打印头固定器时，握住打印头固定器的顶端并慢慢地将其移动到右边缘或左边缘。



4. 用双手紧握卡纸。

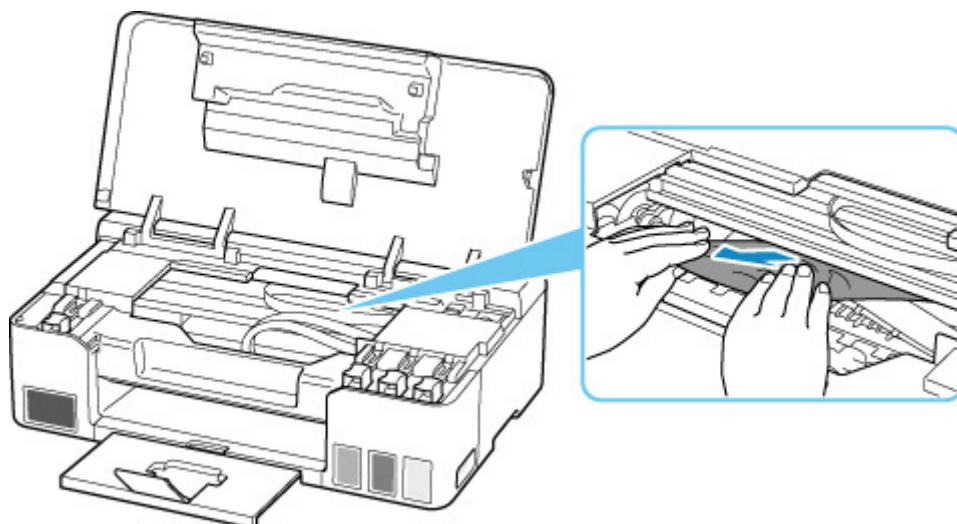


如果纸张卷曲，将其拉出。



5. 慢慢拉出纸张以免其撕裂。

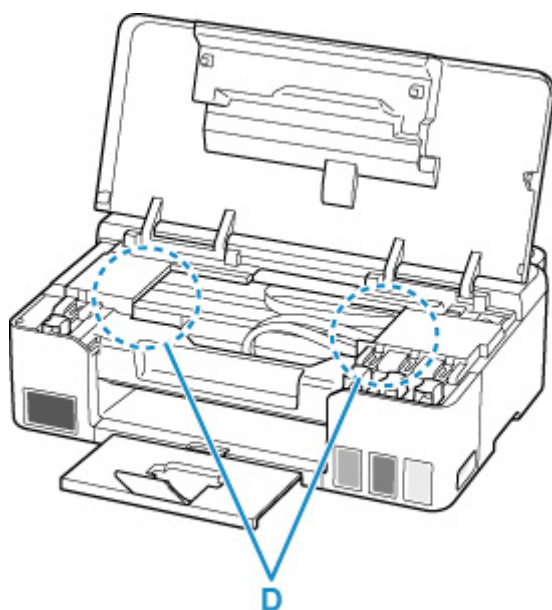
以约 45 度的倾斜角度拉出纸张。



## 6. 确保已取出所有卡纸。

如果拉出纸张时纸张撕裂，打印机内可能残留纸张碎片。检查以下各项并取出所有残留纸张。

- 打印头固定器下方是否有纸张残留？
- 打印机内部是否有纸张碎片残留？
- 打印机内部的左侧和右侧空间(D)是否有纸张残留？



## 7. 关闭上盖。

## 8. 重新插入打印机插头，然后重新开启。

打印队列中所有的作业将被取消。重新打印。

### ►► 注释

- 重新装入纸张时，请确保使用合适的纸张并将其正确装入打印机。

如果取出所有卡纸后恢复打印时，计算机屏幕上出现卡纸信息，打印机内可能仍残留纸张碎片。再次检查打印机是否有任何残留纸张碎片。

如果以上措施未能解决问题，请与最近的 Canon 服务中心联系以要求维修。

### ▶▶▶ 重要事项

- 移动时请勿倾斜打印机，因为墨水可能会漏出。
- 运输打印机以进行维修时，请参见维修打印机。

## 原因

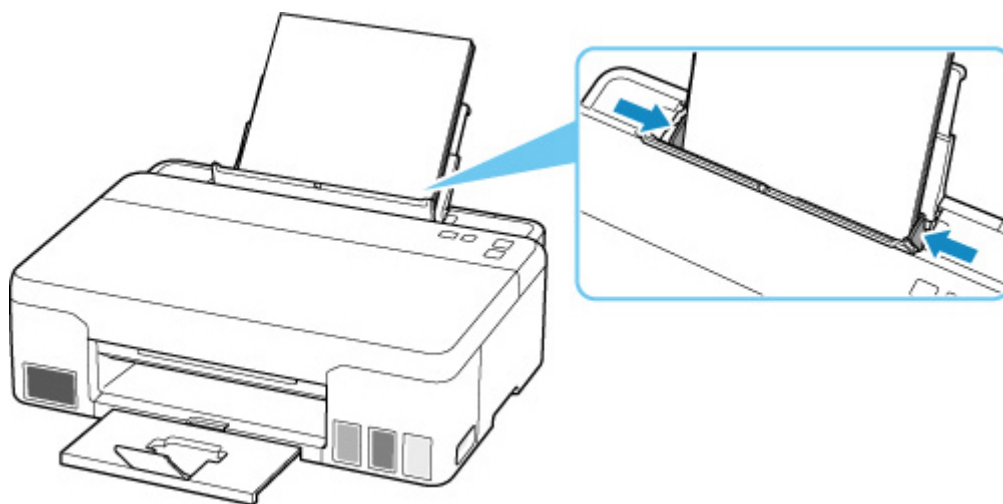
可能包括以下原因。

- 后端托盘缺纸。
- 纸张未正确装入后端托盘。

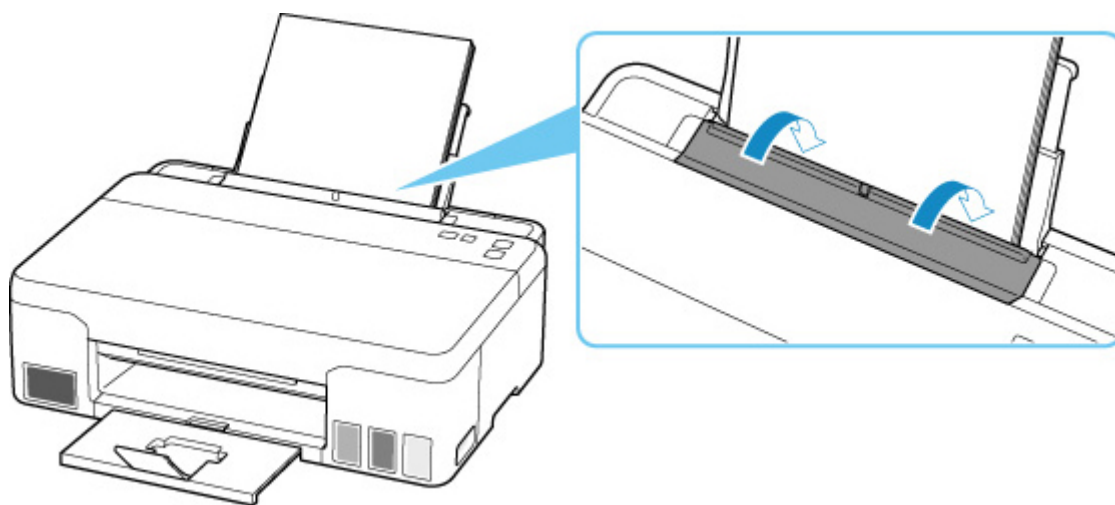
## 处理方法

采取以下相应解决方法。

- 请将纸张装入后端托盘中。
  - **装入普通纸/照片纸**
- 将后端托盘的纸张导片与纸张的两个边缘对齐。



- 关闭进纸插槽盖板。



执行上述措施后，按打印机的 **OK** 按钮取消错误。

## 注釋

- 要取消打印，按打印机的**停止**按钮。



### 原因

进纸滚轴脏污，无法进纸。

### 处理方法

按下打印机的**停止**按钮取消打印，然后执行进进纸滚轴清洁。

- 从 Windows:
  - [清洁进纸滚轴](#)
- 从打印机的操作面板:
  - [清洁进纸滚轴](#)

## 1200

---

### 原因

上盖打开。

### 处理方法

关闭上盖并等待一段时间。

请勿忘记将其关闭，例如在重新填充墨水盒之后。

## 原因

由于保养墨盒将满，无法执行墨水系统冲洗。

## 处理方法

要执行墨水系统冲洗，请先关闭打印机，然后更换保养墨盒。

### ■ [更换保养墨盒](#)

按打印机的 **OK** 按钮以清除错误。

### 原因

无法识别保养墨盒。

保养墨盒可能未正确安装或与本打印机不兼容。

### 处理方法

关闭打印机，取出保养墨盒，然后重新正确安装。

有关取出和安装保养墨盒的详细资料，请参阅[更换保养墨盒](#)。

### 原因

某个墨水盒中的剩余墨水量可能已达到墨水盒上所示的下限值。

### 处理方法

要检查剩余墨水量，请目视检查墨水盒中的剩余墨水。

如果剩余墨水量低于下限线，请使用相应颜色的墨水对墨水盒进行再填充。

#### ■ [再填充墨水盒](#)

如果在剩余墨水量低于下限线后继续打印，则打印机可能会消耗一定量的墨水以返回到可打印状态。

要继续打印，请按打印机的“OK”按钮。

### 原因

未安装保养墨盒。

### 处理方法

关闭打印机，然后安装保养墨盒。

有关安装保养墨盒的详细资料，请参阅[更换保养墨盒](#)。

## 原因

当前安装的保养墨盒无法使用。

此打印机无法使用在其他打印机中安装过的保养墨盒。

## 处理方法

关闭打印机，然后更换新的保养墨盒。

- [更换保养墨盒](#)

### 原因

无法识别保养墨盒。

保养墨盒可能未正确安装或与本打印机不兼容。

### 处理方法

关闭打印机，取出保养墨盒，然后重新正确安装。

有关取出和安装保养墨盒的详细资料，请参阅[更换保养墨盒](#)。



## 原因

保养墨盒已满。

## 处理方法

请关闭打印机，然后更换保养墨盒。

■ [更换保养墨盒](#)

## 》》 注释

- 显示此错误时，保养墨盒的状态取决于打印机的使用位置和使用方式。  
显示此信息时，必须更换保养墨盒。

### 原因

保养墨盒将满。

### 处理方法

打印机无法在保养墨盒已满时进行打印。

按打印机的 **OK** 按钮以清除错误，然后准备新的保养墨盒。

有关保养墨盒的详细资料，请参见[更换保养墨盒](#)。

## 运输过程中用于固定的胶带等未取下(1890)

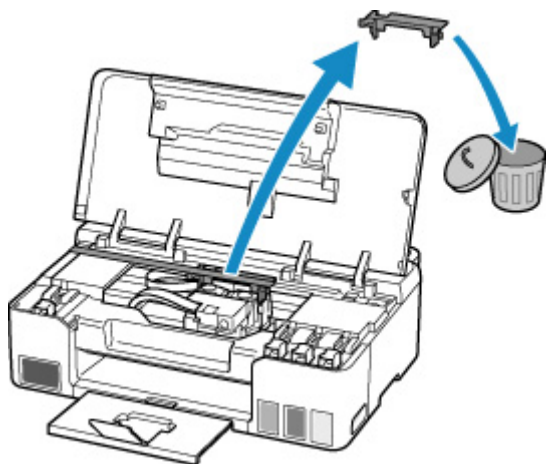
### 原因

运输过程中用于固定的胶带或保护材料可能仍附在打印头固定器上。

### 处理方法

打开上盖，确保已从打印头固定器上取下运输过程中用于固定的胶带和保护材料。

如果未取下运输时用于固定的胶带或保护材料，请将其取下并关闭上盖。



在第一次进行打印机设置的情况下，请单击[此处](#)，在页面上选择您的打印机名称，并按照说明进行操作。

## 原因

打印机驱动程序中的纸张尺寸设置与打印机中注册的纸张尺寸不匹配。

## 处理方法

按打印机的**停止**按钮取消打印。

使用打印机的**纸张选择**按钮，将后端托盘中装入的纸张与在打印机中注册的纸张尺寸相匹配。

将打印机上注册的纸张尺寸指定到打印机驱动程序，然后重试打印。

## 注 释

- 如果后端托盘中装入纸张的尺寸大于打印机驱动程序中设置的纸张尺寸，则无需更改纸张尺寸设置，可以继续打印。按打印机的 **OK** 按钮。
- 有关可以使用打印机的**纸张选择**按钮在打印机中注册的纸张尺寸，请参见以下内容。

### ■ 纸张设置

- 您可以禁用该功能以防止打印错误。禁用该功能时，无论纸张是否与设置匹配，打印机都会使用在后端托盘中纸张上进行打印的纸张设置。

有关防止打印错误的设置，请参见以下内容。

### ■ [更改打印机操作模式](#)(Windows)

### ■ [更改打印机操作模式](#)(macOS)

## 2200

---

### 原因

内部部件将需要尽快更换。

### 处理方法

按打印机的 **OK** 按钮以清除错误。

请尽快与最近的 Canon 服务中心联系以请求维修。

不能自行更换打印机的内部零件。

### 重要事项

- 移动时请勿倾斜打印机，因为墨水可能会漏出。
- 运输打印机以进行维修时，请参见维修打印机。

## 4103

---

### 原因

使用当前打印设置无法执行打印。

### 处理方法

按打印机的**停止**按钮取消打印。

更改打印时指定的打印设置，然后重试打印。

## 原因

发生打印机错误。

## 处理方法

如果正在打印，请按打印机的**停止**按钮取消打印，然后关闭打印机。

检查以下各项：

- 确保用于固定打印头固定器的保护材料和胶带，以及卡纸等不会阻碍打印头固定器的移动。  
移除所有障碍物。

### 重要事项

- 清除妨碍打印头固定器移动的障碍物时，请小心不要触摸透明薄膜(A)、白色带子(B)或导管(C)。



如果用纸张或手碰触到这个部件而将其弄脏或划伤，可能会损坏打印机。

再次开启打印机。

如果此操作未能解决问题，请与最近的 Canon 服务中心联系以要求维修。

### 重要事项

- 移动时请勿倾斜打印机，因为墨水可能会漏出。
- 运输打印机以进行维修时，请参见维修打印机。

### 原因

发生打印机错误。

### 处理方法

查看剩余墨水量，如有必要，再填充墨水盒。

关闭打印机并拔出插头。

等待大约 10 分钟，然后重新插入打印机插头并再次启动。

如果因墨水用完而再填充墨水盒，请执行墨水系统冲洗。

- 从 Windows:

- 清洗打印头

- 从 macOS:

- 清洗打印头

如果此操作未能解决问题，请与最近的 Canon 服务中心联系以要求维修。

### 重要事项

- 移动时请勿倾斜打印机，因为墨水可能会漏出。
- 运输打印机以进行维修时，请参见维修打印机。



### 原因

发生打印机错误。

### 处理方法

如果发生卡纸，请根据卡纸位置和原因取出纸张。

#### ■ [卡纸处理方法](#)

关闭打印机并拔出插头。

重新插入打印机插头，然后重新开启。

如果此操作未能解决问题，请与最近的 Canon 服务中心联系以要求维修。

### 重要事项

- 移动时请勿倾斜打印机，因为墨水可能会漏出。
- 运输打印机以进行维修时，请参见维修打印机。