



**TS9580 series**  
**在线手册**

中文(简体) (Chinese (Simplified))

# 目录

使用在线手册.....	11
该文档中使用的符号.....	12
已启用触摸功能的设备用户 (Windows).....	13
商标和许可协议.....	14
基本操作.....	29
从计算机打印照片.....	30
从智能手机/平板电脑打印照片.....	35
复印.....	38
从存储卡打印照片.....	42
从计算机打印光盘标签.....	46
复印光盘标签.....	53
网络.....	59
限制.....	61
网络连接提示.....	63
默认网络设置.....	64
检测到相同打印机名称.....	66
通过 LAN 连接到其他计算机/从 USB 更改为 LAN 连接.....	67
打印网络设置.....	68
LAN 连接的重新配置方法/Wi-Fi 连接的重新配置方法.....	74
IJ Network Device Setup Utility(Windows).....	76
IJ Network Device Setup Utility.....	77
启动 IJ Network Device Setup Utility.....	78
诊断并修复网络设置.....	79
执行/更改网络设置.....	80
Canon IJ Network Device Setup Utility 屏幕.....	81
执行网络设置.....	85
执行/更改有线 LAN 连接(以太网电缆线)设置.....	86
执行/更改 Wi-Fi 设置.....	89
指定打印机信息.....	93
不支持诊断并修复功能的型号列表.....	94
使用纸张、原稿、墨水盒、多用途托盘、存储卡等.....	95

装入纸张.....	96
纸张来源.....	97
在后端托盘中装入纸张.....	98
在纸盒中装入纸张.....	103
在后端托盘中装入信封.....	108
放置多用途托盘.....	113
使用多用途托盘打印时的注意事项.....	114
放置可打印光盘.....	115
放置可打印光盘前.....	116
放置可打印光盘.....	117
取出可打印光盘.....	120
如何取下/安装多用途托盘.....	122
放置原稿.....	124
放置原稿的位置.....	125
在稿台玻璃上放置原稿.....	126
在 ADF(自动输稿器)中装入文档.....	127
根据用途放置.....	129
支持的原稿.....	132
插入存储卡.....	134
插入存储卡之前.....	135
插入存储卡.....	137
取出存储卡.....	139
更换墨水盒.....	140
更换墨水盒.....	141
在触摸屏上检查墨水状态.....	146
墨水提示.....	147
如果打印变得暗淡或不均匀.....	148
维护步骤.....	149
打印喷嘴检查图案.....	151
检查喷嘴检查图案.....	153
清洗打印头.....	155
深度打印头清洗.....	157
对齐打印头.....	159
手动对齐打印头.....	161

清洁.....	166
清洁进纸滚轴.....	167
清洁打印机内部(底板清洁).....	169
概述.....	172
安全相关.....	173
安全注意事项.....	174
法规信息.....	176
WEEE (EU&EEA).....	177
使用注意事项.....	178
扫描/复印的法律限制.....	179
运输打印机.....	180
修理、外借或处置打印机时.....	181
保持高打印质量.....	182
主要部件和使用方法.....	183
主要部件.....	184
前视图.....	185
后视图.....	188
内部视图.....	189
操作面板.....	190
电源供应.....	191
确认电源已开启.....	192
开启和关闭打印机.....	193
检查电源插头/电源线.....	195
拔出打印机插头.....	196
使用操作面板.....	197
更改设置.....	202
从您的计算机中更改打印机设置(Windows).....	203
更改打印选项.....	204
注册常用打印配置文件.....	205
设置要使用的墨水盒.....	207
管理打印机电源.....	208
更改打印机操作模式.....	210
从操作面板更改设置.....	212



从操作面板更改设置.....	213
操作面板上的设置项目.....	215
打印设置.....	216
LAN 设置.....	217
其他设备设置.....	222
语言选择.....	224
固件更新.....	225
重置设置.....	226
送纸设置.....	227
Web 服务设置.....	228
环保设置.....	229
静音设置.....	231
系统信息.....	232
规格.....	233
纸张相关信息.....	238
支持的介质类型.....	239
纸张装入限量.....	242
不支持的介质类型.....	244
处理纸张.....	245
打印.....	246
从计算机打印.....	247
从应用程序软件打印(Windows 打印机驱动程序).....	248
基本打印设置.....	249
打印机驱动程序和打印机上的纸张设置(介质类型).....	253
打印机驱动程序和打印机上的纸张设置(纸张尺寸).....	254
多种打印方法.....	256
设置页尺寸和方向.....	257
设置打印份数和打印顺序.....	258
执行无边距打印.....	260
比例打印.....	262
页面布局打印.....	264
平铺/海报打印.....	266
双面打印.....	269
设置信封打印.....	273

在明信片上打印.....	275
打印机驱动程序概述.....	277
Canon IJ 打印机驱动程序.....	278
打开打印机驱动程序的设置屏幕.....	279
Canon IJ Status Monitor.....	280
从计算机检查墨水状态.....	282
使用说明(打印机驱动程序).....	283
打印机驱动程序的说明.....	284
快速设置选项卡的说明.....	285
主要选项卡的说明.....	291
页设置选项卡的说明.....	295
维护选项卡的说明.....	306
Canon IJ Status Monitor 的说明.....	307
安装 MP Drivers.....	310
使用 Canon 应用程序软件打印.....	311
使用 Web 服务打印.....	312
从智能手机/平板电脑打印.....	313
通过无线直连进行打印/扫描.....	314
打印照片数据.....	319
打印保存在存储卡中的照片.....	320
使用操作面板设置照片打印的项目.....	325
光盘标签打印.....	327
复印光盘的标签面.....	328
在光盘标签上打印存储卡中的照片.....	331
纸张设置.....	334
复印.....	338
进行复印.....	339
设置复印项目.....	342
扫描.....	345
从计算机扫描 (Windows).....	346
根据项目类型或用途进行扫描(IJ Scan Utility).....	347
IJ Scan Utility 功能.....	348

轻松扫描(自动扫描).....	350
扫描文档和照片.....	351
创建/编辑 PDF 文件.....	352
使用应用程序软件(ScanGear)扫描.....	355
什么是 ScanGear(扫描仪驱动程序)? .....	356
启动 ScanGear(扫描仪驱动程序).....	358
在基本模式下扫描.....	359
ScanGear(扫描仪驱动程序)屏幕.....	362
基本模式选项卡.....	363
高级模式选项卡.....	370
注意事项(扫描仪驱动程序).....	376
扫描提示.....	378
放置原稿(从计算机扫描).....	379
网络扫描设置.....	382
使用智能手机/平板电脑扫描.....	386
常见问题.....	387
网络设置和常见问题.....	389
网络通讯问题.....	392
无法在网络上找到打印机.....	393
设置时无法在检查打印机设置屏幕上找到打印机(Windows).....	394
进行 Wi-Fi 设置时无法在检查打印机设置屏幕上找到打印机(Windows)-检查电源状态.....	395
进行 Wi-Fi 设置时无法在检查打印机设置屏幕上找到打印机(Windows)-检查计算机网络连接	396
进行 Wi-Fi 设置时无法在检查打印机设置屏幕上找到打印机(Windows)-检查打印机的 Wi-Fi 设置	397
进行 Wi-Fi 设置时无法在检查打印机设置屏幕上找到打印机(Windows)-检查 Wi-Fi 环境.....	398
进行 Wi-Fi 设置时无法在检查打印机设置屏幕上找到打印机(Windows)-检查打印机的 IP 地址.....	400
进行 Wi-Fi 设置时无法在检查打印机设置屏幕上找到打印机(Windows)-检查安全软件设置..	401
进行 Wi-Fi 设置时无法在检查打印机设置屏幕上找到打印机(Windows)-检查无线路由器设置	402
进行有线 LAN 设置时无法在检查打印机设置屏幕上找到打印机(Windows)-检查 LAN 电缆线和路由器.....	403
进行有线 LAN 设置时无法在检查打印机设置屏幕上找到打印机(Windows)-检查计算机网络连接	404
进行有线 LAN 设置时无法在检查打印机设置屏幕上找到打印机(Windows)-检查打印机的有线 LAN 设置.....	405

进行有线 LAN 设置时无法在检查打印机设置屏幕上找到打印机(Windows)-检查打印机的 IP 地址	406
进行有线 LAN 设置时无法在检查打印机设置屏幕上找到打印机(Windows)-检查安全软件设置	407
进行有线 LAN 设置时无法在检查打印机设置屏幕上找到打印机(Windows)-检查路由器设置	408
在打印机连接屏幕以后无法继续操作	409
使用 Wi-Fi 时无法找到打印机	411
网络连接问题	414
打印机因某种原因突然停止工作	415
网络密钥(密码)未知	420
更换无线路由器或更改路由器设置后无法使用打印机	422
其他网络问题	424
检查网络信息	425
恢复至出厂默认值	428
从智能手机/平板电脑进行打印/扫描的问题	429
无法从智能手机/平板电脑进行打印/扫描	430
打印问题	434
打印机不打印	435
墨水没有喷出	437
纸张没有正确送入/“无纸”错误	438
无法在光盘标签上打印	441
打印输出的结果不理想	443
打印输出空白/模糊不清/颜色不准确或渗出/出现条纹或线条	445
线条未对齐/变形	448
纸张出现污迹/打印面有划痕	449
图像旁边有垂直线条	453
扫描问题 (Windows)	454
扫描问题	455
扫描仪不工作	456
ScanGear(扫描仪驱动程序)不启动	457
机械问题	458
打印机未开启	459
打印机意外关闭或反复关闭	460
USB 连接问题	462
无法通过 USB 与打印机通讯	463

触摸屏上出现错误的语言.....	464
安装和下载问题.....	465
安装 MP Drivers 失败(Windows).....	466
在网络环境中更新 MP Drivers(Windows).....	468
错误和信息.....	469
发生错误.....	470
出现信息(支持代码).....	471
与错误对应的支持代码列表.....	474
与错误对应的支持代码列表(卡纸).....	476
1300.....	477
1303.....	479
1304.....	480
1313.....	481
打印机内卡纸.....	482
从背面取出卡纸.....	485
1000.....	489
1003.....	490
1200.....	491
1401.....	492
1600.....	493
1660.....	494
1688.....	495
1689.....	496
1700.....	497
1890.....	498
2110.....	499
4103.....	502
5011.....	503
5012.....	504
5100.....	505
5200.....	506
5B00.....	507

6000..... 508  
C000..... 509

## 使用在线手册

---

- ▶ 操作环境
- ▶ 该文档中使用的符号
- ▶ 已启用触摸功能的设备用户 (Windows)
- ▶ 打印在线手册
- ▶ 商标和许可协议
- ▶ 本手册中的屏幕截图

## 该文档中使用的符号

---

### 警告

如果忽略该说明，可能会由于不正确的设备操作而导致死亡、严重人身伤害或财物损坏。为安全操作必须注意该说明。

### 注意

如果忽略该说明，可能会由于不正确的设备操作而导致人身伤害或财物损坏。为安全操作必须注意该说明。

### 重要事项

为避免财物损坏、人身伤害或不正确地使用本产品，必须注意的包含重要信息的说明。请务必阅读这些说明。

### 注释

该说明包括对于操作的说明和其他解释。

### 基础

介绍产品基本操作的说明。

### 注释

- 根据所用产品，图标可能不同。



## 已启用触摸功能的设备用户 (Windows)

---

对于触摸操作，需要使用操作系统中设置的操作替换本文档中的“右键单击”。例如，如果操作系统中设置的操作为“按住”，请将“右键单击”替换为“按住”。

## 商标和许可协议

- Microsoft 是 Microsoft Corporation 的注册商标。
- Windows 是 Microsoft Corporation 在美国和/或其他国家/地区的商标或注册商标。
- Windows Vista 是 Microsoft Corporation 在美国和/或其他国家/地区的商标或注册商标。
- Internet Explorer 是 Microsoft Corporation 在美国和/或其他国家/地区的商标或注册商标。
- Mac、Mac OS、macOS、OS X、AirPort、App Store、AirPrint、AirPrint 徽标、Safari、Bonjour、iPad、iPhone 和 iPod touch 是 Apple Inc.在美国和其他国家/地区注册的商标。
- IOS 是 Cisco 在美国和其他国家/地区的商标或注册商标，在许可下使用。
- Google Cloud Print、Google Chrome、Chrome OS、Chromebook、Android、Google Drive、Google Apps 和 Google Analytics 是 Google Inc.的注册商标或商标。Google Play 和 Google Play 徽标是 Google LLC 的商标。
- Adobe、Acrobat、Flash、Photoshop、Photoshop Elements、Lightroom、Adobe RGB 和 Adobe RGB (1998)是 Adobe Systems Incorporated 在美国和其他国家/地区的注册商标或商标。
- Bluetooth 是 Bluetooth SIG, Inc., U.S.A.的商标并授权给 Canon Inc.
- Autodesk 和 AutoCAD 是 Autodesk, Inc.和/或其子公司和/或其关联公司在美国和/或其他国家/地区的注册商标或商标。

### »» 注释

- Windows Vista 的正式名称为 Microsoft Windows Vista 操作系统。

Copyright (c) 2003-2015 Apple Inc. All rights reserved.

Redistribution and use in source and binary forms, with or without modification, are permitted provided that the following conditions are met:

1. Redistributions of source code must retain the above copyright notice, this list of conditions and the following disclaimer.
2. Redistributions in binary form must reproduce the above copyright notice, this list of conditions and the following disclaimer in the documentation and/or other materials provided with the distribution.
3. Neither the name of Apple Inc. ("Apple") nor the names of its contributors may be used to endorse or promote products derived from this software without specific prior written permission.

THIS SOFTWARE IS PROVIDED BY APPLE AND ITS CONTRIBUTORS "AS IS" AND ANY EXPRESS OR IMPLIED WARRANTIES, INCLUDING, BUT NOT LIMITED TO, THE IMPLIED WARRANTIES OF MERCHANTABILITY AND FITNESS FOR A PARTICULAR PURPOSE ARE DISCLAIMED. IN NO EVENT SHALL APPLE OR ITS CONTRIBUTORS BE LIABLE FOR ANY DIRECT, INDIRECT, INCIDENTAL, SPECIAL, EXEMPLARY, OR CONSEQUENTIAL DAMAGES (INCLUDING, BUT NOT LIMITED TO, PROCUREMENT OF SUBSTITUTE GOODS OR SERVICES; LOSS OF USE, DATA, OR PROFITS; OR BUSINESS INTERRUPTION) HOWEVER CAUSED AND ON ANY THEORY OF LIABILITY, WHETHER IN CONTRACT, STRICT LIABILITY, OR TORT (INCLUDING NEGLIGENCE OR OTHERWISE) ARISING IN ANY WAY OUT OF THE USE OF THIS SOFTWARE, EVEN IF ADVISED OF THE POSSIBILITY OF SUCH DAMAGE.

Apache License

Version 2.0, January 2004

<http://www.apache.org/licenses/>

TERMS AND CONDITIONS FOR USE, REPRODUCTION, AND DISTRIBUTION

## 1. Definitions.

"License" shall mean the terms and conditions for use, reproduction, and distribution as defined by Sections 1 through 9 of this document.

"Licensor" shall mean the copyright owner or entity authorized by the copyright owner that is granting the License.

"Legal Entity" shall mean the union of the acting entity and all other entities that control, are controlled by, or are under common control with that entity. For the purposes of this definition, "control" means (i) the power, direct or indirect, to cause the direction or management of such entity, whether by contract or otherwise, or (ii) ownership of fifty percent (50%) or more of the outstanding shares, or (iii) beneficial ownership of such entity.

"You" (or "Your") shall mean an individual or Legal Entity exercising permissions granted by this License.

"Source" form shall mean the preferred form for making modifications, including but not limited to software source code, documentation source, and configuration files.

"Object" form shall mean any form resulting from mechanical transformation or translation of a Source form, including but not limited to compiled object code, generated documentation, and conversions to other media types.

"Work" shall mean the work of authorship, whether in Source or Object form, made available under the License, as indicated by a copyright notice that is included in or attached to the work (an example is provided in the Appendix below).

"Derivative Works" shall mean any work, whether in Source or Object form, that is based on (or derived from) the Work and for which the editorial revisions, annotations, elaborations, or other modifications represent, as a whole, an original work of authorship. For the purposes of this License, Derivative Works shall not include works that remain separable from, or merely link (or bind by name) to the interfaces of, the Work and Derivative Works thereof.

"Contribution" shall mean any work of authorship, including the original version of the Work and any modifications or additions to that Work or Derivative Works thereof, that is intentionally submitted to Licensor for inclusion in the Work by the copyright owner or by an individual or Legal Entity authorized to submit on behalf of the copyright owner. For the purposes of this definition, "submitted" means any form of electronic, verbal, or written communication sent to the Licensor or its representatives, including but not limited to communication on electronic mailing lists, source code control systems, and issue tracking systems that are managed by, or on behalf of, the Licensor for the purpose of discussing and improving the Work, but excluding communication that is conspicuously marked or otherwise designated in writing by the copyright owner as "Not a Contribution."

"Contributor" shall mean Licensor and any individual or Legal Entity on behalf of whom a Contribution has been received by Licensor and subsequently incorporated within the Work.

2. Grant of Copyright License. Subject to the terms and conditions of this License, each Contributor hereby grants to You a perpetual, worldwide, non-exclusive, no-charge, royalty-free, irrevocable copyright license to reproduce, prepare Derivative Works of, publicly display, publicly perform, sublicense, and distribute the Work and such Derivative Works in Source or Object form.
3. Grant of Patent License. Subject to the terms and conditions of this License, each Contributor hereby grants to You a perpetual, worldwide, non-exclusive, no-charge, royalty-free, irrevocable (except as

stated in this section) patent license to make, have made, use, offer to sell, sell, import, and otherwise transfer the Work, where such license applies only to those patent claims licensable by such Contributor that are necessarily infringed by their Contribution(s) alone or by combination of their Contribution(s) with the Work to which such Contribution(s) was submitted. If You institute patent litigation against any entity (including a cross-claim or counterclaim in a lawsuit) alleging that the Work or a Contribution incorporated within the Work constitutes direct or contributory patent infringement, then any patent licenses granted to You under this License for that Work shall terminate as of the date such litigation is filed.

4. Redistribution. You may reproduce and distribute copies of the Work or Derivative Works thereof in any medium, with or without modifications, and in Source or Object form, provided that You meet the following conditions:
  1. You must give any other recipients of the Work or Derivative Works a copy of this License; and
  2. You must cause any modified files to carry prominent notices stating that You changed the files; and
  3. You must retain, in the Source form of any Derivative Works that You distribute, all copyright, patent, trademark, and attribution notices from the Source form of the Work, excluding those notices that do not pertain to any part of the Derivative Works; and
  4. If the Work includes a "NOTICE" text file as part of its distribution, then any Derivative Works that You distribute must include a readable copy of the attribution notices contained within such NOTICE file, excluding those notices that do not pertain to any part of the Derivative Works, in at least one of the following places: within a NOTICE text file distributed as part of the Derivative Works; within the Source form or documentation, if provided along with the Derivative Works; or, within a display generated by the Derivative Works, if and wherever such third-party notices normally appear. The contents of the NOTICE file are for informational purposes only and do not modify the License. You may add Your own attribution notices within Derivative Works that You distribute, alongside or as an addendum to the NOTICE text from the Work, provided that such additional attribution notices cannot be construed as modifying the License.

You may add Your own copyright statement to Your modifications and may provide additional or different license terms and conditions for use, reproduction, or distribution of Your modifications, or for any such Derivative Works as a whole, provided Your use, reproduction, and distribution of the Work otherwise complies with the conditions stated in this License.

5. Submission of Contributions. Unless You explicitly state otherwise, any Contribution intentionally submitted for inclusion in the Work by You to the Licensor shall be under the terms and conditions of this License, without any additional terms or conditions. Notwithstanding the above, nothing herein shall supersede or modify the terms of any separate license agreement you may have executed with Licensor regarding such Contributions.
6. Trademarks. This License does not grant permission to use the trade names, trademarks, service marks, or product names of the Licensor, except as required for reasonable and customary use in describing the origin of the Work and reproducing the content of the NOTICE file.
7. Disclaimer of Warranty. Unless required by applicable law or agreed to in writing, Licensor provides the Work (and each Contributor provides its Contributions) on an "AS IS" BASIS, WITHOUT WARRANTIES OR CONDITIONS OF ANY KIND, either express or implied, including, without limitation, any warranties or conditions of TITLE, NON-INFRINGEMENT, MERCHANTABILITY, or FITNESS FOR A PARTICULAR PURPOSE. You are solely responsible for determining the appropriateness of using or redistributing the Work and assume any risks associated with Your exercise of permissions under this License.

8. Limitation of Liability. In no event and under no legal theory, whether in tort (including negligence), contract, or otherwise, unless required by applicable law (such as deliberate and grossly negligent acts) or agreed to in writing, shall any Contributor be liable to You for damages, including any direct, indirect, special, incidental, or consequential damages of any character arising as a result of this License or out of the use or inability to use the Work (including but not limited to damages for loss of goodwill, work stoppage, computer failure or malfunction, or any and all other commercial damages or losses), even if such Contributor has been advised of the possibility of such damages.
9. Accepting Warranty or Additional Liability. While redistributing the Work or Derivative Works thereof, You may choose to offer, and charge a fee for, acceptance of support, warranty, indemnity, or other liability obligations and/or rights consistent with this License. However, in accepting such obligations, You may act only on Your own behalf and on Your sole responsibility, not on behalf of any other Contributor, and only if You agree to indemnify, defend, and hold each Contributor harmless for any liability incurred by, or claims asserted against, such Contributor by reason of your accepting any such warranty or additional liability.

END OF TERMS AND CONDITIONS

---- Part 1: CMU/UCD copyright notice: (BSD like) ----

Copyright 1989, 1991, 1992 by Carnegie Mellon University

Derivative Work - 1996, 1998-2000

Copyright 1996, 1998-2000 The Regents of the University of California

All Rights Reserved

Permission to use, copy, modify and distribute this software and its documentation for any purpose and without fee is hereby granted, provided that the above copyright notice appears in all copies and that both that copyright notice and this permission notice appear in supporting documentation, and that the name of CMU and The Regents of the University of California not be used in advertising or publicity pertaining to distribution of the software without specific written permission.

CMU AND THE REGENTS OF THE UNIVERSITY OF CALIFORNIA DISCLAIM ALL WARRANTIES WITH REGARD TO THIS SOFTWARE, INCLUDING ALL IMPLIED WARRANTIES OF MERCHANTABILITY AND FITNESS. IN NO EVENT SHALL CMU OR THE REGENTS OF THE UNIVERSITY OF CALIFORNIA BE LIABLE FOR ANY SPECIAL, INDIRECT OR CONSEQUENTIAL DAMAGES OR ANY DAMAGES WHATSOEVER RESULTING FROM THE LOSS OF USE, DATA OR PROFITS, WHETHER IN AN ACTION OF CONTRACT, NEGLIGENCE OR OTHER TORTIOUS ACTION, ARISING OUT OF OR IN CONNECTION WITH THE USE OR PERFORMANCE OF THIS SOFTWARE.

---- Part 2: Networks Associates Technology, Inc copyright notice (BSD) ----

Copyright (c) 2001-2003, Networks Associates Technology, Inc

All rights reserved.

Redistribution and use in source and binary forms, with or without modification, are permitted provided that the following conditions are met:

\* Redistributions of source code must retain the above copyright notice, this list of conditions and the following disclaimer.

\* Redistributions in binary form must reproduce the above copyright notice, this list of conditions and the following disclaimer in the documentation and/or other materials provided with the distribution.

\* Neither the name of the Networks Associates Technology, Inc nor the names of its contributors may be used to endorse or promote products derived from this software without specific prior written permission.

THIS SOFTWARE IS PROVIDED BY THE COPYRIGHT HOLDERS AND CONTRIBUTORS ``AS IS" AND ANY EXPRESS OR IMPLIED WARRANTIES, INCLUDING, BUT NOT LIMITED TO, THE IMPLIED WARRANTIES OF MERCHANTABILITY AND FITNESS FOR A PARTICULAR PURPOSE ARE DISCLAIMED. IN NO EVENT SHALL THE COPYRIGHT HOLDERS OR CONTRIBUTORS BE LIABLE FOR ANY DIRECT, INDIRECT, INCIDENTAL, SPECIAL, EXEMPLARY, OR CONSEQUENTIAL DAMAGES (INCLUDING, BUT NOT LIMITED TO, PROCUREMENT OF SUBSTITUTE GOODS OR SERVICES; LOSS OF USE, DATA, OR PROFITS; OR BUSINESS INTERRUPTION) HOWEVER CAUSED AND ON ANY THEORY OF LIABILITY, WHETHER IN CONTRACT, STRICT LIABILITY, OR TORT (INCLUDING NEGLIGENCE OR OTHERWISE) ARISING IN ANY WAY OUT OF THE USE OF THIS SOFTWARE, EVEN IF ADVISED OF THE POSSIBILITY OF SUCH DAMAGE.

---- Part 3: Cambridge Broadband Ltd. copyright notice (BSD) ----

Portions of this code are copyright (c) 2001-2003, Cambridge Broadband Ltd.

All rights reserved.

Redistribution and use in source and binary forms, with or without modification, are permitted provided that the following conditions are met:

\* Redistributions of source code must retain the above copyright notice, this list of conditions and the following disclaimer.

\* Redistributions in binary form must reproduce the above copyright notice, this list of conditions and the following disclaimer in the documentation and/or other materials provided with the distribution.

\* The name of Cambridge Broadband Ltd. may not be used to endorse or promote products derived from this software without specific prior written permission.

THIS SOFTWARE IS PROVIDED BY THE COPYRIGHT HOLDER ``AS IS" AND ANY EXPRESS OR IMPLIED WARRANTIES, INCLUDING, BUT NOT LIMITED TO, THE IMPLIED WARRANTIES OF MERCHANTABILITY AND FITNESS FOR A PARTICULAR PURPOSE ARE DISCLAIMED. IN NO EVENT SHALL THE COPYRIGHT HOLDER BE LIABLE FOR ANY DIRECT, INDIRECT, INCIDENTAL, SPECIAL, EXEMPLARY, OR CONSEQUENTIAL DAMAGES (INCLUDING, BUT NOT LIMITED TO, PROCUREMENT OF SUBSTITUTE GOODS OR SERVICES; LOSS OF USE, DATA, OR PROFITS; OR BUSINESS INTERRUPTION) HOWEVER CAUSED AND ON ANY THEORY OF LIABILITY, WHETHER IN CONTRACT, STRICT LIABILITY, OR TORT (INCLUDING NEGLIGENCE OR OTHERWISE) ARISING IN ANY WAY OUT OF THE USE OF THIS SOFTWARE, EVEN IF ADVISED OF THE POSSIBILITY OF SUCH DAMAGE.

---- Part 4: Sun Microsystems, Inc. copyright notice (BSD) ----

Copyright c 2003 Sun Microsystems, Inc., 4150 Network Circle, Santa Clara, California 95054, U.S.A. All rights reserved.

Use is subject to license terms below.

This distribution may include materials developed by third parties.

Sun, Sun Microsystems, the Sun logo and Solaris are trademarks or registered trademarks of Sun Microsystems, Inc. in the U.S. and other countries.

Redistribution and use in source and binary forms, with or without modification, are permitted provided that the following conditions are met:

- \* Redistributions of source code must retain the above copyright notice, this list of conditions and the following disclaimer.
- \* Redistributions in binary form must reproduce the above copyright notice, this list of conditions and the following disclaimer in the documentation and/or other materials provided with the distribution.
- \* Neither the name of the Sun Microsystems, Inc. nor the names of its contributors may be used to endorse or promote products derived from this software without specific prior written permission.

THIS SOFTWARE IS PROVIDED BY THE COPYRIGHT HOLDERS AND CONTRIBUTORS ``AS IS" AND ANY EXPRESS OR IMPLIED WARRANTIES, INCLUDING, BUT NOT LIMITED TO, THE IMPLIED WARRANTIES OF MERCHANTABILITY AND FITNESS FOR A PARTICULAR PURPOSE ARE DISCLAIMED. IN NO EVENT SHALL THE COPYRIGHT HOLDERS OR CONTRIBUTORS BE LIABLE FOR ANY DIRECT, INDIRECT, INCIDENTAL, SPECIAL, EXEMPLARY, OR CONSEQUENTIAL DAMAGES (INCLUDING, BUT NOT LIMITED TO, PROCUREMENT OF SUBSTITUTE GOODS OR SERVICES; LOSS OF USE, DATA, OR PROFITS; OR BUSINESS INTERRUPTION) HOWEVER CAUSED AND ON ANY THEORY OF LIABILITY, WHETHER IN CONTRACT, STRICT LIABILITY, OR TORT (INCLUDING NEGLIGENCE OR OTHERWISE) ARISING IN ANY WAY OUT OF THE USE OF THIS SOFTWARE, EVEN IF ADVISED OF THE POSSIBILITY OF SUCH DAMAGE.

---- Part 5: Sparta, Inc copyright notice (BSD) ----

Copyright (c) 2003-2012, Sparta, Inc

All rights reserved.

Redistribution and use in source and binary forms, with or without modification, are permitted provided that the following conditions are met:

- \* Redistributions of source code must retain the above copyright notice, this list of conditions and the following disclaimer.
- \* Redistributions in binary form must reproduce the above copyright notice, this list of conditions and the following disclaimer in the documentation and/or other materials provided with the distribution.
- \* Neither the name of Sparta, Inc nor the names of its contributors may be used to endorse or promote products derived from this software without specific prior written permission.

THIS SOFTWARE IS PROVIDED BY THE COPYRIGHT HOLDERS AND CONTRIBUTORS ``AS IS" AND ANY EXPRESS OR IMPLIED WARRANTIES, INCLUDING, BUT NOT LIMITED TO, THE IMPLIED WARRANTIES OF MERCHANTABILITY AND FITNESS FOR A PARTICULAR PURPOSE ARE DISCLAIMED. IN NO EVENT SHALL THE COPYRIGHT HOLDERS OR CONTRIBUTORS BE LIABLE FOR ANY DIRECT, INDIRECT, INCIDENTAL, SPECIAL, EXEMPLARY, OR CONSEQUENTIAL DAMAGES (INCLUDING, BUT NOT LIMITED TO, PROCUREMENT OF SUBSTITUTE GOODS OR SERVICES; LOSS OF USE, DATA, OR PROFITS; OR BUSINESS INTERRUPTION) HOWEVER CAUSED AND ON ANY THEORY OF LIABILITY, WHETHER IN CONTRACT, STRICT LIABILITY, OR TORT (INCLUDING NEGLIGENCE OR OTHERWISE) ARISING IN ANY WAY OUT OF THE USE OF THIS SOFTWARE, EVEN IF ADVISED OF THE POSSIBILITY OF SUCH DAMAGE.

---- Part 6: Cisco/BUPTNIC copyright notice (BSD) ----

Copyright (c) 2004, Cisco, Inc and Information Network Center of Beijing University of Posts and Telecommunications.

All rights reserved.

Redistribution and use in source and binary forms, with or without modification, are permitted provided that the following conditions are met:

- \* Redistributions of source code must retain the above copyright notice, this list of conditions and the following disclaimer.
- \* Redistributions in binary form must reproduce the above copyright notice, this list of conditions and the following disclaimer in the documentation and/or other materials provided with the distribution.
- \* Neither the name of Cisco, Inc, Beijing University of Posts and Telecommunications, nor the names of their contributors may be used to endorse or promote products derived from this software without specific prior written permission.

THIS SOFTWARE IS PROVIDED BY THE COPYRIGHT HOLDERS AND CONTRIBUTORS ``AS IS" AND ANY EXPRESS OR IMPLIED WARRANTIES, INCLUDING, BUT NOT LIMITED TO, THE IMPLIED WARRANTIES OF MERCHANTABILITY AND FITNESS FOR A PARTICULAR PURPOSE ARE DISCLAIMED. IN NO EVENT SHALL THE COPYRIGHT HOLDERS OR CONTRIBUTORS BE LIABLE FOR ANY DIRECT, INDIRECT, INCIDENTAL, SPECIAL, EXEMPLARY, OR CONSEQUENTIAL DAMAGES (INCLUDING, BUT NOT LIMITED TO, PROCUREMENT OF SUBSTITUTE GOODS OR SERVICES; LOSS OF USE, DATA, OR PROFITS; OR BUSINESS INTERRUPTION) HOWEVER CAUSED AND ON ANY THEORY OF LIABILITY, WHETHER IN CONTRACT, STRICT LIABILITY, OR TORT (INCLUDING NEGLIGENCE OR OTHERWISE) ARISING IN ANY WAY OUT OF THE USE OF THIS SOFTWARE, EVEN IF ADVISED OF THE POSSIBILITY OF SUCH DAMAGE.

---- Part 7: Fabasoft R&D Software GmbH & Co KG copyright notice (BSD) ----

Copyright (c) Fabasoft R&D Software GmbH & Co KG, 2003 oss@fabasoft.com

Author: Bernhard Penz <bernhard.penz@fabasoft.com>

Redistribution and use in source and binary forms, with or without modification, are permitted provided that the following conditions are met:

- \* Redistributions of source code must retain the above copyright notice, this list of conditions and the following disclaimer.
- \* Redistributions in binary form must reproduce the above copyright notice, this list of conditions and the following disclaimer in the documentation and/or other materials provided with the distribution.
- \* The name of Fabasoft R&D Software GmbH & Co KG or any of its subsidiaries, brand or product names may not be used to endorse or promote products derived from this software without specific prior written permission.

THIS SOFTWARE IS PROVIDED BY THE COPYRIGHT HOLDER ``AS IS" AND ANY EXPRESS OR IMPLIED WARRANTIES, INCLUDING, BUT NOT LIMITED TO, THE IMPLIED WARRANTIES OF MERCHANTABILITY AND FITNESS FOR A PARTICULAR PURPOSE ARE DISCLAIMED. IN NO EVENT SHALL THE COPYRIGHT HOLDER BE LIABLE FOR ANY DIRECT, INDIRECT, INCIDENTAL, SPECIAL, EXEMPLARY, OR CONSEQUENTIAL DAMAGES (INCLUDING, BUT NOT LIMITED TO, PROCUREMENT OF SUBSTITUTE GOODS OR SERVICES; LOSS OF USE, DATA, OR PROFITS; OR BUSINESS INTERRUPTION) HOWEVER CAUSED AND ON ANY THEORY OF LIABILITY, WHETHER IN CONTRACT, STRICT LIABILITY, OR TORT (INCLUDING NEGLIGENCE OR OTHERWISE) ARISING IN ANY WAY OUT OF THE USE OF THIS SOFTWARE, EVEN IF ADVISED OF THE POSSIBILITY OF SUCH DAMAGE.



---- Part 8: Apple Inc. copyright notice (BSD) ----

Copyright (c) 2007 Apple Inc. All rights reserved.

Redistribution and use in source and binary forms, with or without modification, are permitted provided that the following conditions are met:

1. Redistributions of source code must retain the above copyright notice, this list of conditions and the following disclaimer.
2. Redistributions in binary form must reproduce the above copyright notice, this list of conditions and the following disclaimer in the documentation and/or other materials provided with the distribution.
3. Neither the name of Apple Inc. ("Apple") nor the names of its contributors may be used to endorse or promote products derived from this software without specific prior written permission.

THIS SOFTWARE IS PROVIDED BY APPLE AND ITS CONTRIBUTORS "AS IS" AND ANY EXPRESS OR IMPLIED WARRANTIES, INCLUDING, BUT NOT LIMITED TO, THE IMPLIED WARRANTIES OF MERCHANTABILITY AND FITNESS FOR A PARTICULAR PURPOSE ARE DISCLAIMED. IN NO EVENT SHALL APPLE OR ITS CONTRIBUTORS BE LIABLE FOR ANY DIRECT, INDIRECT, INCIDENTAL, SPECIAL, EXEMPLARY, OR CONSEQUENTIAL DAMAGES (INCLUDING, BUT NOT LIMITED TO, PROCUREMENT OF SUBSTITUTE GOODS OR SERVICES; LOSS OF USE, DATA, OR PROFITS; OR BUSINESS INTERRUPTION) HOWEVER CAUSED AND ON ANY THEORY OF LIABILITY, WHETHER IN CONTRACT, STRICT LIABILITY, OR TORT (INCLUDING NEGLIGENCE OR OTHERWISE) ARISING IN ANY WAY OUT OF THE USE OF THIS SOFTWARE, EVEN IF ADVISED OF THE POSSIBILITY OF SUCH DAMAGE.

---- Part 9: ScienceLogic, LLC copyright notice (BSD) ----

Copyright (c) 2009, ScienceLogic, LLC

All rights reserved.

Redistribution and use in source and binary forms, with or without modification, are permitted provided that the following conditions are met:

- \* Redistributions of source code must retain the above copyright notice, this list of conditions and the following disclaimer.
- \* Redistributions in binary form must reproduce the above copyright notice, this list of conditions and the following disclaimer in the documentation and/or other materials provided with the distribution.
- \* Neither the name of ScienceLogic, LLC nor the names of its contributors may be used to endorse or promote products derived from this software without specific prior written permission.

THIS SOFTWARE IS PROVIDED BY THE COPYRIGHT HOLDERS AND CONTRIBUTORS "AS IS" AND ANY EXPRESS OR IMPLIED WARRANTIES, INCLUDING, BUT NOT LIMITED TO, THE IMPLIED WARRANTIES OF MERCHANTABILITY AND FITNESS FOR A PARTICULAR PURPOSE ARE DISCLAIMED. IN NO EVENT SHALL THE COPYRIGHT HOLDERS OR CONTRIBUTORS BE LIABLE FOR ANY DIRECT, INDIRECT, INCIDENTAL, SPECIAL, EXEMPLARY, OR CONSEQUENTIAL DAMAGES (INCLUDING, BUT NOT LIMITED TO, PROCUREMENT OF SUBSTITUTE GOODS OR SERVICES; LOSS OF USE, DATA, OR PROFITS; OR BUSINESS INTERRUPTION) HOWEVER CAUSED AND ON ANY THEORY OF LIABILITY, WHETHER IN CONTRACT, STRICT LIABILITY, OR TORT (INCLUDING NEGLIGENCE OR OTHERWISE) ARISING IN ANY WAY OUT OF THE USE OF THIS SOFTWARE, EVEN IF ADVISED OF THE POSSIBILITY OF SUCH DAMAGE.

LEADTOOLS

Copyright (C) 1991-2009 LEAD Technologies, Inc.

CMap Resources

---

Copyright 1990-2009 Adobe Systems Incorporated.  
All rights reserved.

Copyright 1990-2010 Adobe Systems Incorporated.  
All rights reserved.

Redistribution and use in source and binary forms, with or without modification, are permitted provided that the following conditions are met:

Redistributions of source code must retain the above copyright notice, this list of conditions and the following disclaimer.

Redistributions in binary form must reproduce the above copyright notice, this list of conditions and the following disclaimer in the documentation and/or other materials provided with the distribution.

Neither the name of Adobe Systems Incorporated nor the names of its contributors may be used to endorse or promote products derived from this software without specific prior written permission.

THIS SOFTWARE IS PROVIDED BY THE COPYRIGHT HOLDERS AND CONTRIBUTORS "AS IS" AND ANY EXPRESS OR IMPLIED WARRANTIES, INCLUDING, BUT NOT LIMITED TO, THE IMPLIED WARRANTIES OF MERCHANTABILITY AND FITNESS FOR A PARTICULAR PURPOSE ARE DISCLAIMED. IN NO EVENT SHALL THE COPYRIGHT HOLDER OR CONTRIBUTORS BE LIABLE FOR ANY DIRECT, INDIRECT, INCIDENTAL, SPECIAL, EXEMPLARY, OR CONSEQUENTIAL DAMAGES (INCLUDING, BUT NOT LIMITED TO, PROCUREMENT OF SUBSTITUTE GOODS OR SERVICES; LOSS OF USE, DATA, OR PROFITS; OR BUSINESS INTERRUPTION) HOWEVER CAUSED AND ON ANY THEORY OF LIABILITY, WHETHER IN CONTRACT, STRICT LIABILITY, OR TORT (INCLUDING NEGLIGENCE OR OTHERWISE) ARISING IN ANY WAY OUT OF THE USE OF THIS SOFTWARE, EVEN IF ADVISED OF THE POSSIBILITY OF SUCH DAMAGE.

---

MIT License

Copyright (c) 1998, 1999, 2000 Thai Open Source Software Center Ltd

Permission is hereby granted, free of charge, to any person obtaining a copy of this software and associated documentation files (the "Software"), to deal in the Software without restriction, including without limitation the rights to use, copy, modify, merge, publish, distribute, sublicense, and/or sell copies

of the Software, and to permit persons to whom the Software is furnished to do so, subject to the following conditions:

The above copyright notice and this permission notice shall be included in all copies or substantial portions of the Software.

THE SOFTWARE IS PROVIDED "AS IS", WITHOUT WARRANTY OF ANY KIND, EXPRESS OR IMPLIED, INCLUDING BUT NOT LIMITED TO THE WARRANTIES OF MERCHANTABILITY, FITNESS FOR A PARTICULAR PURPOSE AND NONINFRINGEMENT. IN NO EVENT SHALL THE AUTHORS OR COPYRIGHT HOLDERS BE LIABLE FOR ANY CLAIM, DAMAGES OR OTHER LIABILITY, WHETHER IN AN ACTION OF CONTRACT, TORT OR OTHERWISE, ARISING FROM, OUT OF OR IN CONNECTION WITH THE SOFTWARE OR THE USE OR OTHER DEALINGS IN THE SOFTWARE.

Copyright 2000 Computing Research Labs, New Mexico State University

Copyright 2001-2015 Francesco Zappa Nardelli

Permission is hereby granted, free of charge, to any person obtaining a copy of this software and associated documentation files (the "Software"), to deal in the Software without restriction, including without limitation the rights to use, copy, modify, merge, publish, distribute, sublicense, and/or sell copies of the Software, and to permit persons to whom the Software is furnished to do so, subject to the following conditions:

The above copyright notice and this permission notice shall be included in all copies or substantial portions of the Software.

THE SOFTWARE IS PROVIDED "AS IS", WITHOUT WARRANTY OF ANY KIND, EXPRESS OR IMPLIED, INCLUDING BUT NOT LIMITED TO THE WARRANTIES OF MERCHANTABILITY, FITNESS FOR A PARTICULAR PURPOSE AND NONINFRINGEMENT. IN NO EVENT SHALL THE COMPUTING RESEARCH LAB OR NEW MEXICO STATE UNIVERSITY BE LIABLE FOR ANY CLAIM, DAMAGES OR OTHER LIABILITY, WHETHER IN AN ACTION OF CONTRACT, TORT OR OTHERWISE, ARISING FROM, OUT OF OR IN CONNECTION WITH THE SOFTWARE OR THE USE OR OTHER DEALINGS IN THE SOFTWARE.

Written by Joel Sherrill <joel@OARcorp.com>.

COPYRIGHT (c) 1989-2000.

On-Line Applications Research Corporation (OAR).

Permission to use, copy, modify, and distribute this software for any purpose without fee is hereby granted, provided that this entire notice is included in all copies of any software which is or includes a copy or modification of this software.

THIS SOFTWARE IS BEING PROVIDED "AS IS", WITHOUT ANY EXPRESS OR IMPLIED WARRANTY. IN PARTICULAR, THE AUTHOR MAKES NO REPRESENTATION OR WARRANTY OF ANY KIND CONCERNING THE MERCHANTABILITY OF THIS SOFTWARE OR ITS FITNESS FOR ANY PARTICULAR PURPOSE.

(1) Red Hat Incorporated

Copyright (c) 1994-2009 Red Hat, Inc. All rights reserved.

This copyrighted material is made available to anyone wishing to use, modify, copy, or redistribute it subject to the terms and conditions of the BSD License. This program is distributed in the hope that it will

be useful, but WITHOUT ANY WARRANTY expressed or implied, including the implied warranties of MERCHANTABILITY or FITNESS FOR A PARTICULAR PURPOSE. A copy of this license is available at <http://www.opensource.org/licenses>. Any Red Hat trademarks that are incorporated in the source code or documentation are not subject to the BSD License and may only be used or replicated with the express permission of Red Hat, Inc.

(2) University of California, Berkeley

Copyright (c) 1981-2000 The Regents of the University of California.

All rights reserved.

Redistribution and use in source and binary forms, with or without modification, are permitted provided that the following conditions are met:

- \* Redistributions of source code must retain the above copyright notice, this list of conditions and the following disclaimer.
- \* Redistributions in binary form must reproduce the above copyright notice, this list of conditions and the following disclaimer in the documentation and/or other materials provided with the distribution.
- \* Neither the name of the University nor the names of its contributors may be used to endorse or promote products derived from this software without specific prior written permission.

THIS SOFTWARE IS PROVIDED BY THE COPYRIGHT HOLDERS AND CONTRIBUTORS "AS IS" AND ANY EXPRESS OR IMPLIED WARRANTIES, INCLUDING, BUT NOT LIMITED TO, THE IMPLIED WARRANTIES OF MERCHANTABILITY AND FITNESS FOR A PARTICULAR PURPOSE ARE DISCLAIMED. IN NO EVENT SHALL THE COPYRIGHT OWNER OR CONTRIBUTORS BE LIABLE FOR ANY DIRECT, INDIRECT, INCIDENTAL, SPECIAL, EXEMPLARY, OR CONSEQUENTIAL DAMAGES (INCLUDING, BUT NOT LIMITED TO, PROCUREMENT OF SUBSTITUTE GOODS OR SERVICES; LOSS OF USE, DATA, OR PROFITS; OR BUSINESS INTERRUPTION) HOWEVER CAUSED AND ON ANY THEORY OF LIABILITY, WHETHER IN CONTRACT, STRICT LIABILITY, OR TORT (INCLUDING NEGLIGENCE OR OTHERWISE) ARISING IN ANY WAY OUT OF THE USE OF THIS SOFTWARE, EVEN IF ADVISED OF THE POSSIBILITY OF SUCH DAMAGE.

#### The FreeType Project LICENSE

-----

2006-Jan-27

Copyright 1996-2002, 2006 by

David Turner, Robert Wilhelm, and Werner Lemberg

Introduction

=====

The FreeType Project is distributed in several archive packages; some of them may contain, in addition to the FreeType font engine, various tools and contributions which rely on, or relate to, the FreeType Project.

This license applies to all files found in such packages, and which do not fall under their own explicit license. The license affects thus the FreeType font engine, the test programs, documentation and makefiles, at the very least.

This license was inspired by the BSD, Artistic, and IJG (Independent JPEG Group) licenses, which all encourage inclusion and use of free software in commercial and freeware products alike. As a consequence, its main points are that:

- o We don't promise that this software works. However, we will be interested in any kind of bug reports. ('as is' distribution)
- o You can use this software for whatever you want, in parts or full form, without having to pay us. ('royalty-free' usage)
- o You may not pretend that you wrote this software. If you use it, or only parts of it, in a program, you must acknowledge somewhere in your documentation that you have used the FreeType code. ('credits')

We specifically permit and encourage the inclusion of this software, with or without modifications, in commercial products.

We disclaim all warranties covering The FreeType Project and assume no liability related to The FreeType Project.

Finally, many people asked us for a preferred form for a credit/disclaimer to use in compliance with this license. We thus encourage you to use the following text:

""

Portions of this software are copyright © <year> The FreeType Project (www.freetype.org). All rights reserved.

""

Please replace <year> with the value from the FreeType version you actually use.

#### Legal Terms

=====

#### 0. Definitions

-----

Throughout this license, the terms 'package', 'FreeType Project', and 'FreeType archive' refer to the set of files originally distributed by the authors (David Turner, Robert Wilhelm, and Werner Lemberg) as the 'FreeType Project', be they named as alpha, beta or final release.

'You' refers to the licensee, or person using the project, where 'using' is a generic term including compiling the project's source code as well as linking it to form a 'program' or 'executable'.

This program is referred to as 'a program using the FreeType engine'.

This license applies to all files distributed in the original FreeType Project, including all source code, binaries and documentation, unless otherwise stated in the file in its original, unmodified form as distributed in the original archive.

If you are unsure whether or not a particular file is covered by this license, you must contact us to verify this.

The FreeType Project is copyright (C) 1996-2000 by David Turner, Robert Wilhelm, and Werner Lemberg. All rights reserved except as specified below.

#### 1. No Warranty

-----

THE FREETYPE PROJECT IS PROVIDED 'AS IS' WITHOUT WARRANTY OF ANY KIND, EITHER EXPRESS OR IMPLIED, INCLUDING, BUT NOT LIMITED TO, WARRANTIES OF MERCHANTABILITY AND FITNESS FOR A PARTICULAR PURPOSE. IN NO EVENT WILL ANY OF THE AUTHORS OR

COPYRIGHT HOLDERS BE LIABLE FOR ANY DAMAGES CAUSED BY THE USE OR THE INABILITY TO USE, OF THE FREETYPE PROJECT.

## 2. Redistribution

-----

This license grants a worldwide, royalty-free, perpetual and irrevocable right and license to use, execute, perform, compile, display, copy, create derivative works of, distribute and sublicense the FreeType Project (in both source and object code forms) and derivative works thereof for any purpose; and to authorize others to exercise some or all of the rights granted herein, subject to the following conditions:

- o Redistribution of source code must retain this license file ('FTL.TXT') unaltered; any additions, deletions or changes to the original files must be clearly indicated in accompanying documentation. The copyright notices of the unaltered, original files must be preserved in all copies of source files.

- o Redistribution in binary form must provide a disclaimer that states that the software is based in part of the work of the FreeType Team, in the distribution documentation. We also encourage you to put an URL to the FreeType web page in your documentation, though this isn't mandatory.

These conditions apply to any software derived from or based on the FreeType Project, not just the unmodified files. If you use our work, you must acknowledge us. However, no fee need be paid to us.

## 3. Advertising

-----

Neither the FreeType authors and contributors nor you shall use the name of the other for commercial, advertising, or promotional purposes without specific prior written permission.

We suggest, but do not require, that you use one or more of the following phrases to refer to this software in your documentation or advertising materials: 'FreeType Project', 'FreeType Engine', 'FreeType library', or 'FreeType Distribution'.

As you have not signed this license, you are not required to accept it. However, as the FreeType Project is copyrighted material, only this license, or another one contracted with the authors, grants you the right to use, distribute, and modify it.

Therefore, by using, distributing, or modifying the FreeType Project, you indicate that you understand and accept all the terms of this license.

## 4. Contacts

-----

There are two mailing lists related to FreeType:

- o [freetype@nongnu.org](mailto:freetype@nongnu.org)

Discusses general use and applications of FreeType, as well as future and wanted additions to the library and distribution.

If you are looking for support, start in this list if you haven't found anything to help you in the documentation.

- o [freetype-devel@nongnu.org](mailto:freetype-devel@nongnu.org)

Discusses bugs, as well as engine internals, design issues, specific licenses, porting, etc.

Our home page can be found at

<http://www.freetype.org>

--- end of FTL.TXT ---

The TWAIN Toolkit is distributed as is. The developer and distributors of the TWAIN Toolkit expressly disclaim all implied, express or statutory warranties including, without limitation, the implied warranties of merchantability, noninfringement of third party rights and fitness for a particular purpose. Neither the developers nor the distributors will be liable for damages, whether direct, indirect, special, incidental, or consequential, as a result of the reproduction, modification, distribution or other use of the TWAIN Toolkit.

JSON for Modern C++

Copyright (c) 2013-2017 Niels Lohmann

Permission is hereby granted, free of charge, to any person obtaining a copy of this software and associated documentation files (the "Software"), to deal in the Software without restriction, including without limitation the rights to use, copy, modify, merge, publish, distribute, sublicense, and/or sell copies of the Software, and to permit persons to whom the Software is furnished to do so, subject to the following conditions:

The above copyright notice and this permission notice shall be included in all copies or substantial portions of the Software.

THE SOFTWARE IS PROVIDED "AS IS", WITHOUT WARRANTY OF ANY KIND, EXPRESS OR IMPLIED, INCLUDING BUT NOT LIMITED TO THE WARRANTIES OF MERCHANTABILITY, FITNESS FOR A PARTICULAR PURPOSE AND NONINFRINGEMENT. IN NO EVENT SHALL THE AUTHORS OR COPYRIGHT HOLDERS BE LIABLE FOR ANY CLAIM, DAMAGES OR OTHER LIABILITY, WHETHER IN AN ACTION OF CONTRACT, TORT OR OTHERWISE, ARISING FROM, OUT OF OR IN CONNECTION WITH THE SOFTWARE OR THE USE OR OTHER DEALINGS IN THE SOFTWARE.

以下仅适用于支持 Wi-Fi 的产品。

(c) 2009-2013 by Jeff Mott. All rights reserved.

Redistribution and use in source and binary forms, with or without modification, are permitted provided that the following conditions are met:

- \* Redistributions of source code must retain the above copyright notice, this list of conditions, and the following disclaimer.
- \* Redistributions in binary form must reproduce the above copyright notice, this list of conditions, and the following disclaimer in the documentation or other materials provided with the distribution.
- \* Neither the name CryptoJS nor the names of its contributors may be used to endorse or promote products derived from this software without specific prior written permission.

THIS SOFTWARE IS PROVIDED BY THE COPYRIGHT HOLDERS AND CONTRIBUTORS "AS IS," AND ANY EXPRESS OR IMPLIED WARRANTIES, INCLUDING, BUT NOT LIMITED TO, THE IMPLIED WARRANTIES OF MERCHANTABILITY AND FITNESS FOR A PARTICULAR PURPOSE, ARE DISCLAIMED. IN NO EVENT SHALL THE COPYRIGHT HOLDER OR CONTRIBUTORS BE LIABLE FOR ANY DIRECT, INDIRECT, INCIDENTAL, SPECIAL, EXEMPLARY, OR CONSEQUENTIAL DAMAGES (INCLUDING, BUT NOT LIMITED TO, PROCUREMENT OF SUBSTITUTE GOODS OR SERVICES; LOSS OF USE, DATA, OR PROFITS; OR BUSINESS INTERRUPTION) HOWEVER CAUSED AND ON ANY THEORY OF LIABILITY, WHETHER IN CONTRACT, STRICT LIABILITY, OR

TORT (INCLUDING NEGLIGENCE OR OTHERWISE) ARISING IN ANY WAY OUT OF THE USE OF THIS SOFTWARE, EVEN IF ADVISED OF THE POSSIBILITY OF SUCH DAMAGE.



## 基本操作

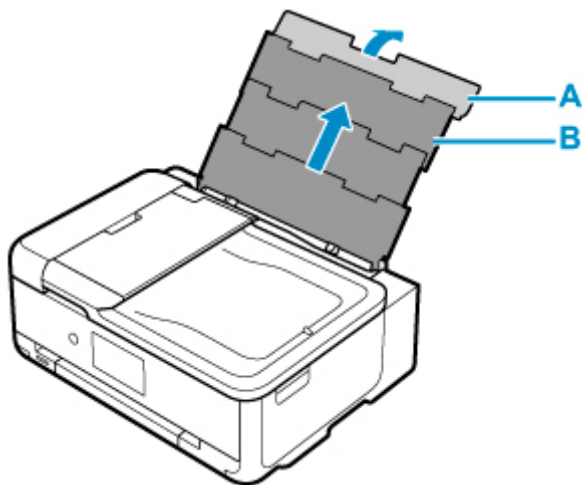
---

- ▶ 从计算机打印照片
- ▶ 从智能手机/平板电脑打印照片
- ▶ 复印
- ▶ 从存储卡打印照片
- ▶ 从计算机打印光盘标签
- ▶ 复印光盘标签

## 从计算机打印照片

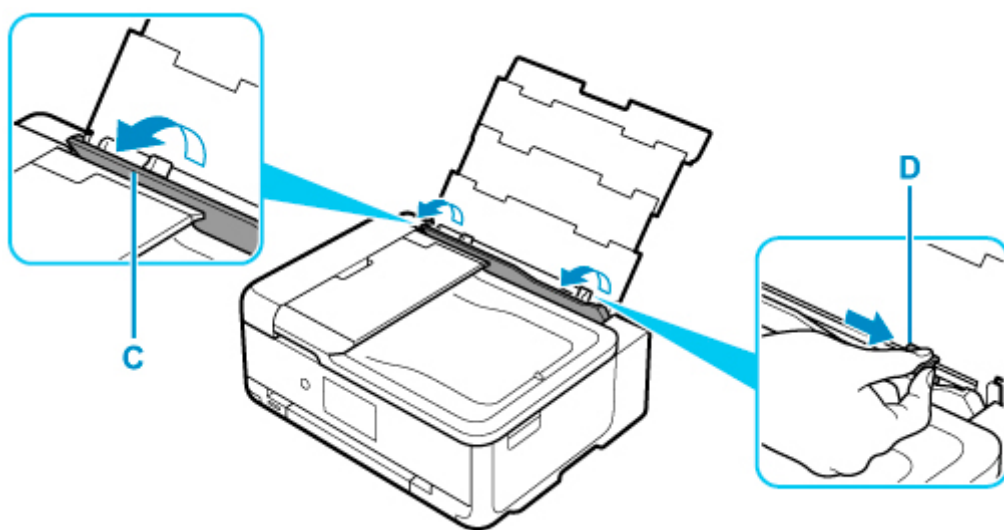
本节描述如何使用 Easy-PhotoPrint Editor 打印照片。

1. 打开后端托盘盖(A)。垂直向上拉靠纸架(B)并将其向后折。

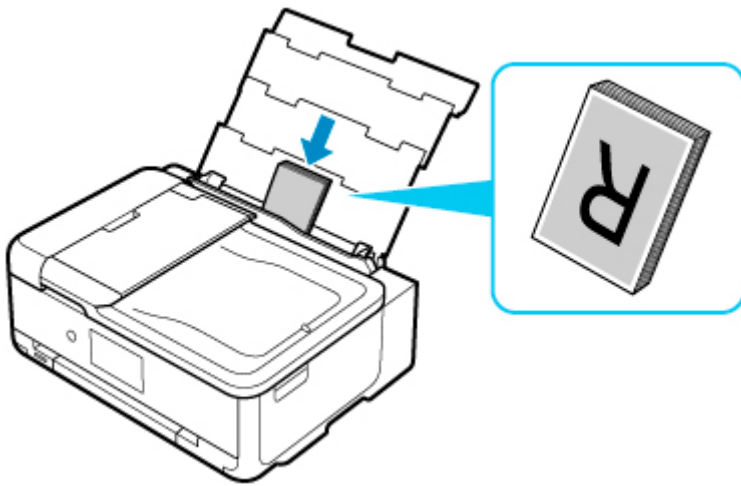


2. 打开进纸插槽盖板(C)。

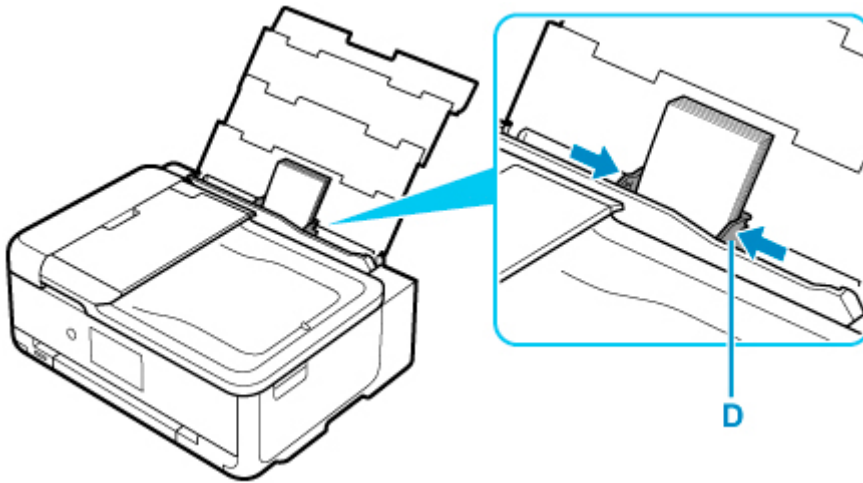
3. 移动右侧纸张导片(D)，打开两个纸张导片。



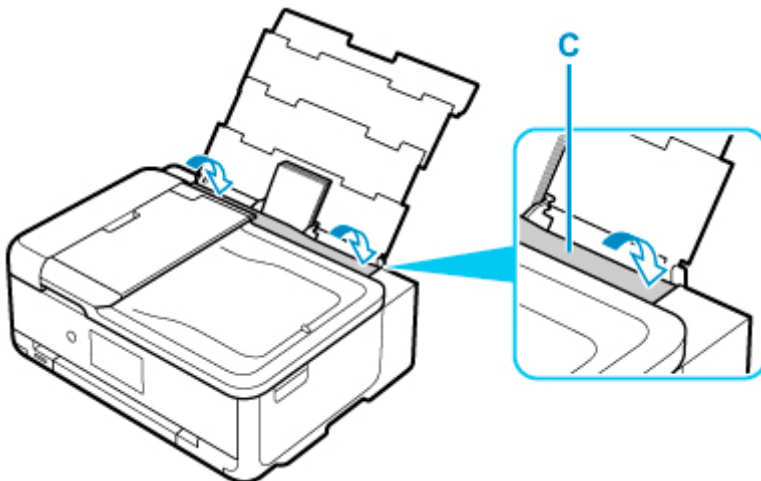
4. 将打印面向上纵向装入照片纸。



5. 移动右侧纸张导片(D)以对齐纸叠的两侧。



6. 请轻轻关闭进纸插槽盖板(C)。



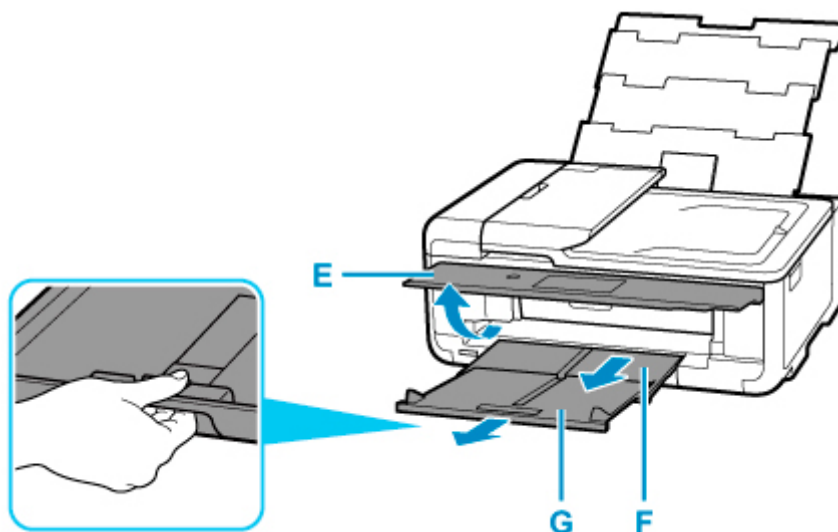
关闭进纸插槽盖板后，触摸屏上会显示后端托盘的纸张设置确认屏幕。

7. 如果触摸屏上的页尺寸和介质类型与后端托盘中装入的纸张尺寸和类型相匹配，请选择**是**。  
否则，选择**更改**，根据已装入纸张的尺寸和类型更改设置。



8. 打开操作面板(E)，然后拉出出纸托盘(F)和出纸支架(G)。

务必在打印前打开操作面板。如果操作面板合上，则打印机不会开始打印。



9. 启动 Easy-PhotoPrint Editor。

**对于 Windows：**

以下步骤适用于运行 Windows 10 操作系统的计算机。

从开始菜单选择(所有应用 >) **Canon Utilities > Easy-PhotoPrint Editor**。

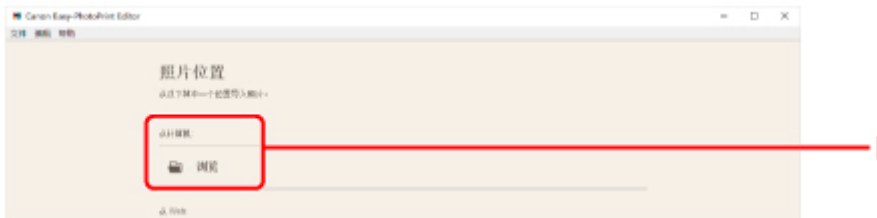
**对于 macOS：**

从 **Finder** 中的前往菜单，选择应用程序，双击 **Canon Utilities** 文件夹、**Easy-PhotoPrint Editor** 文件夹，然后双击 **Easy-PhotoPrint Editor** 图标。

10. 单击照片图标(H)。



11. 在**从计算机**:中单击**浏览**(I), 然后选择包含要打印照片的文件夹。



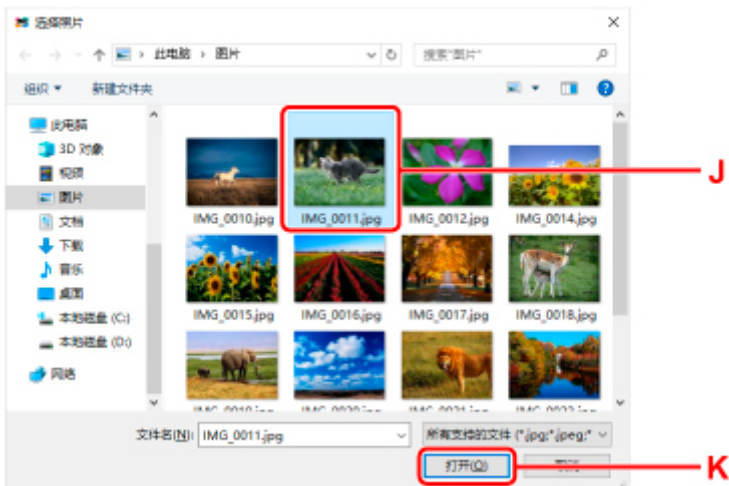
12. 单击要打印的照片(J), 然后选择**打开**(K)。

**对于 Windows:**

要一次选择两个或更多的照片, 在按下 Ctrl 键时单击照片。

**对于 macOS:**

要一次选择两个或更多的照片, 在按下命令键时单击照片。



13. 在**打印设置**(L)下指定份数和其他选项。


#### 对于 Windows:

指定份数、所用型号名称、纸张尺寸和其他选项。

#### 对于 macOS:

指定份数、纸张尺寸和其他选项。

#### »» 注释

- 选择**每张照片相同的份数**可以通过单一设置指定所有照片的份数。
- 选择**每张照片相同的份数**会禁用为每张照片指定的份数设置。取消选择时，会重新启用每个副本以前的设置。用于指定份数的  也会重新启用。

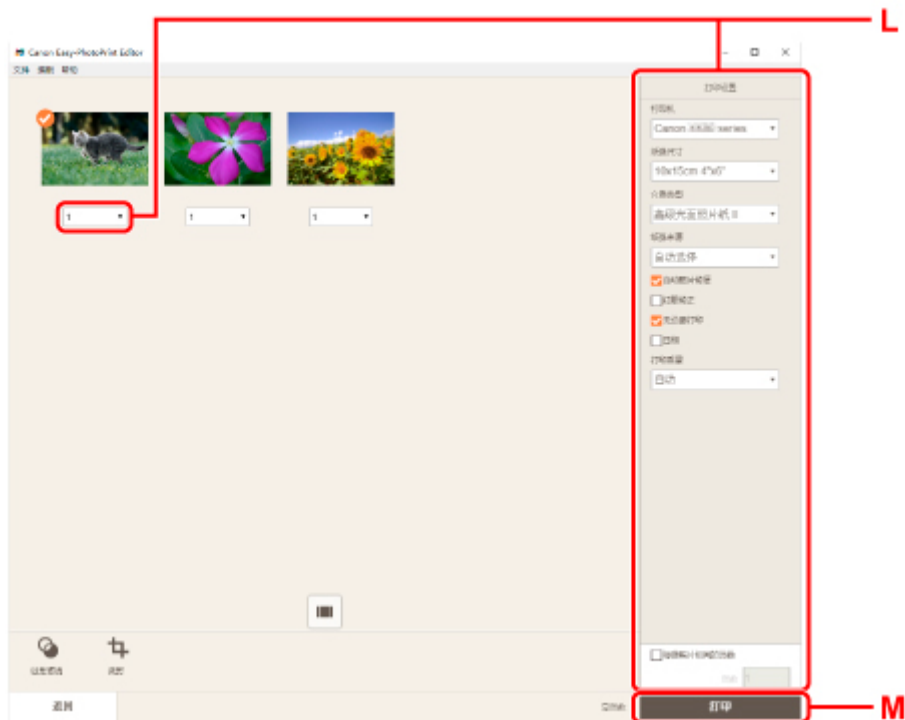
### 14. 开始打印。

#### 对于 Windows:

单击**打印(M)**。

#### 对于 macOS:

单击**下一步**。出现打印对话框后，指定所用型号名称、纸张和其他选项，然后单击**打印**。



#### »» 注释

- Easy-PhotoPrint Editor 允许您使用喜爱的照片轻松创建和打印原始拼贴画、卡片或日历。

#### ■ Easy-PhotoPrint Editor 指南

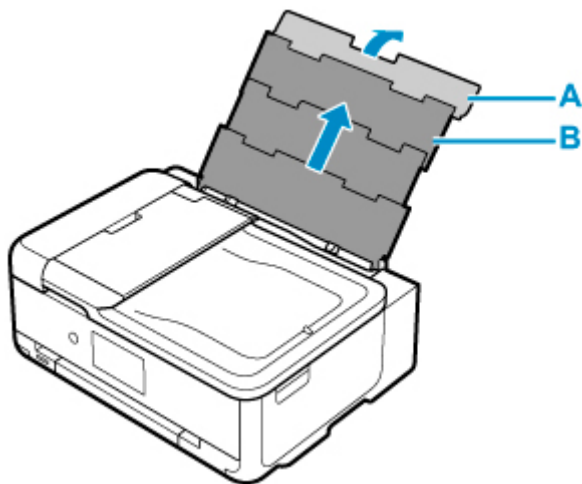
## 从智能手机/平板电脑打印照片

本节描述如何使用 Canon PRINT Inkjet/SELPHY 打印照片。

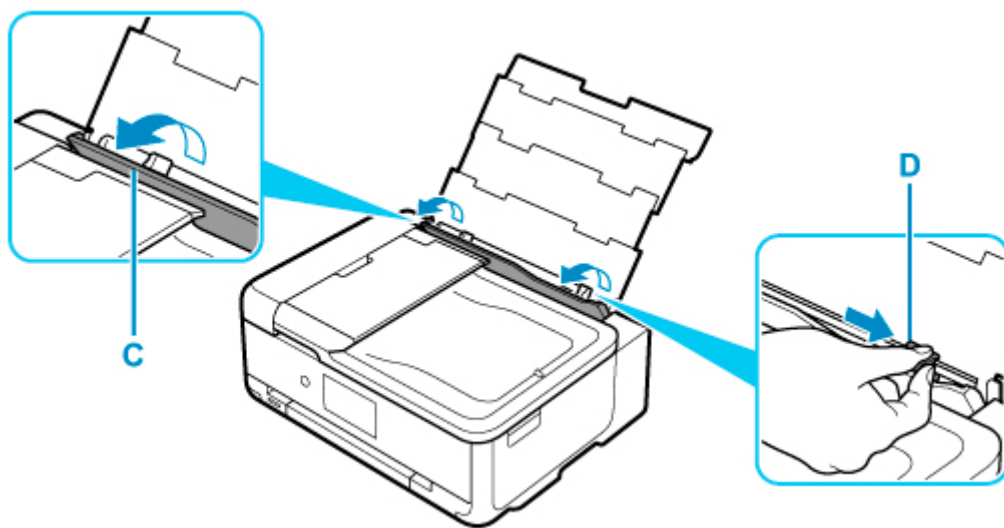
有关如何下载 Canon PRINT Inkjet/SELPHY 的详细资料，请参见以下内容。

### ■ 使用 Canon PRINT Inkjet/SELPHY 从智能手机或平板电脑轻松进行打印

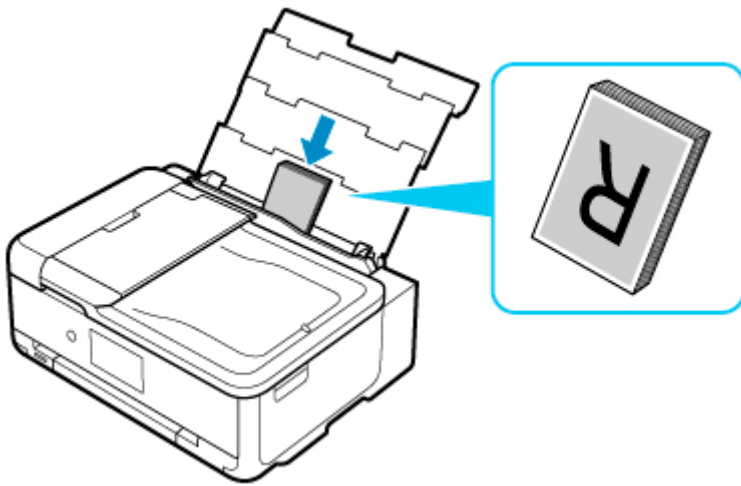
1. 打开后端托盘盖(A)。垂直向上拉靠纸架(B)并将其向后折。



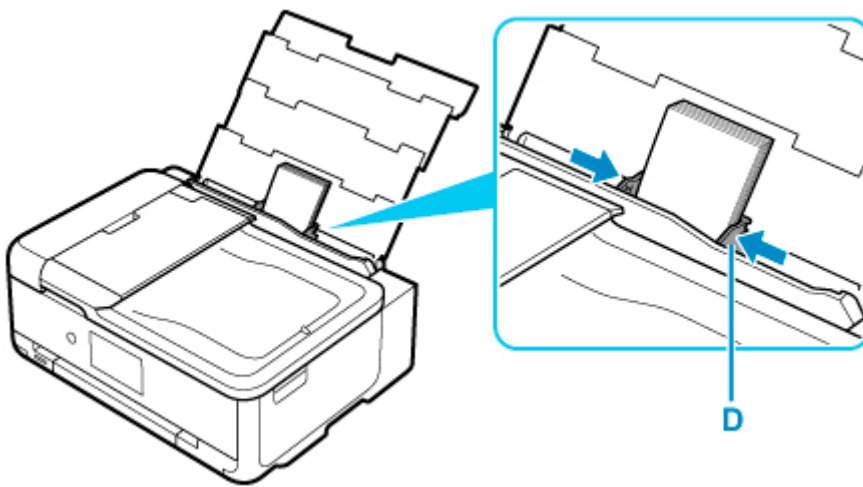
2. 打开进纸插槽盖板(C)。
3. 移动右侧纸张导片(D)，打开两个纸张导片。



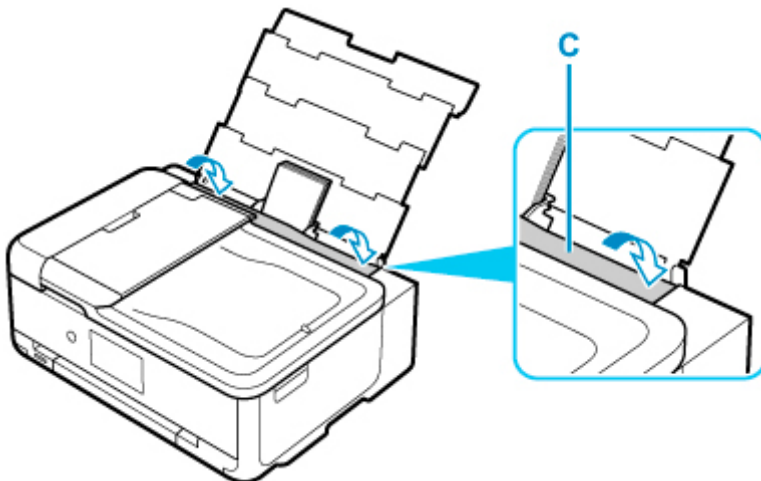
4. 将打印面向上纵向装入照片纸。



5. 移动右侧纸张导片(D)以对齐纸叠的两侧。



6. 请轻轻关闭进纸插槽盖板(C)。



关闭进纸插槽盖板后，触摸屏上会显示后端托盘的纸张设置确认屏幕。

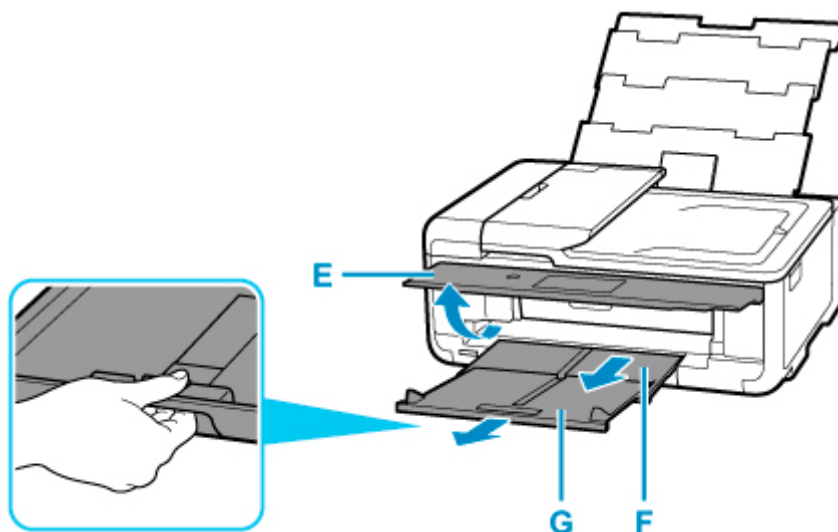
7. 如果触摸屏上的页尺寸和介质类型与后端托盘中装入的纸张尺寸和类型相匹配，请选择**是**。否则，选择**更改**，根据已装入纸张的尺寸和类型更改设置。





8. 打开操作面板(E)，然后拉出出纸托盘(F)和出纸支架(G)。

务必在打印前打开操作面板。如果操作面板合上，则打印机不会开始打印。



9. 从智能手机/平板电脑启动  (Canon PRINT Inkjet/SELPHY)。

10. 在 Canon PRINT Inkjet/SELPHY 上选择照片打印。

显示保存在智能手机/平板电脑上的照片列表。

11. 选择照片。

您也可以一次选择多张照片。

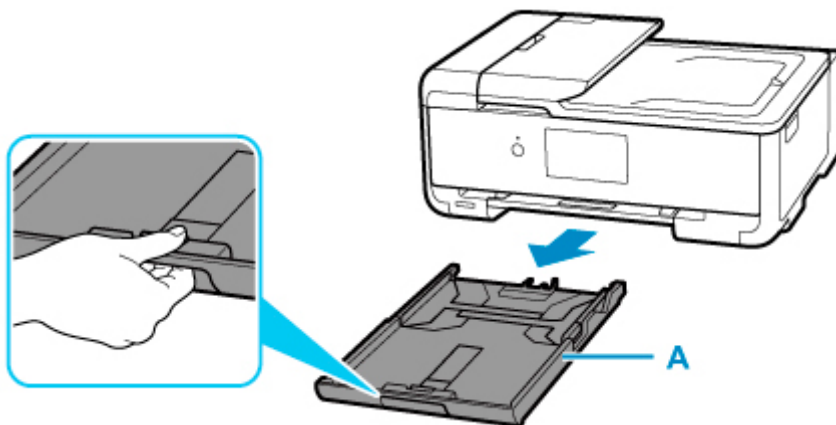
12. 指定份数、纸张尺寸等。

13. 选择打印。

## 复印

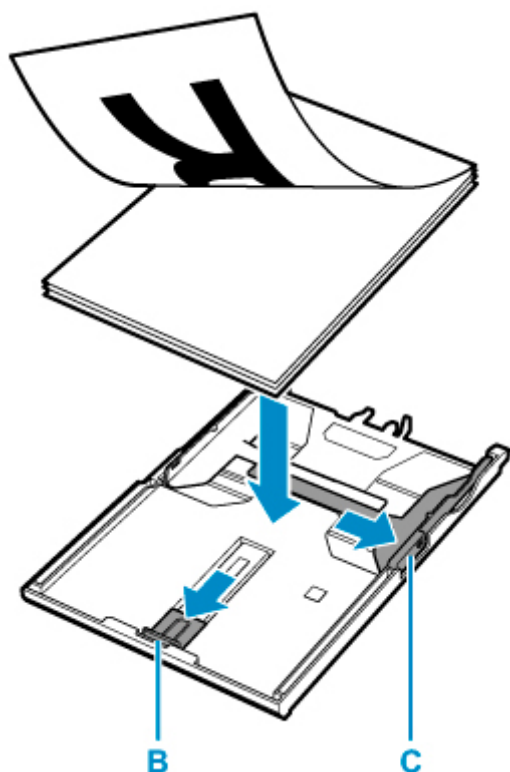
本节描述如何放置原稿并将其复印到装入纸盒中的普通纸。

1. 从打印机中拉出纸盒(A)。

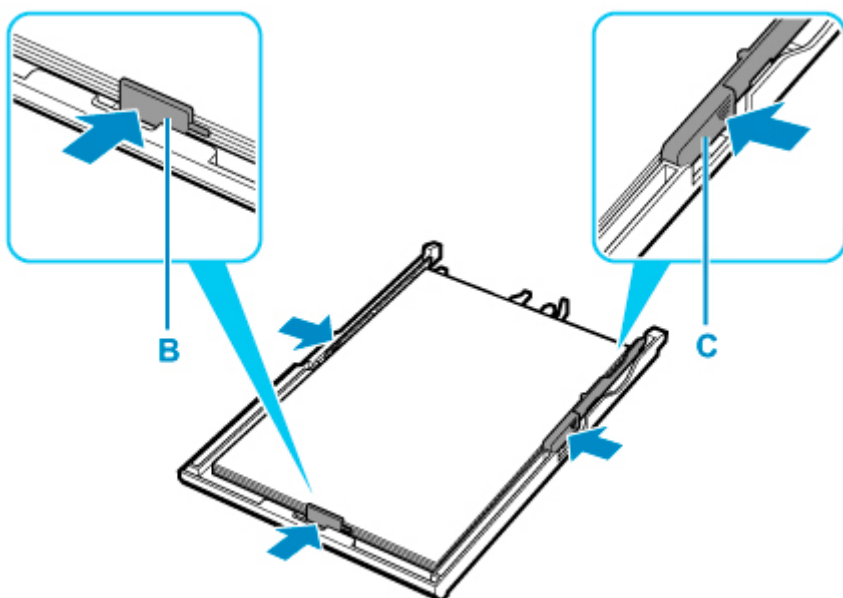


2. 分别移动前端和右侧纸张导片(B)和(C)打开导片。

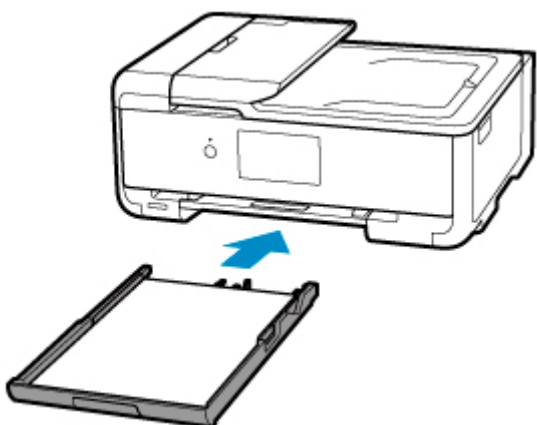
3. 将打印面向下纵向装入普通纸。



4. 将前端和右侧纸张导片(B)和(C)分别与纸张的长边和宽边对齐。



5. 将纸盒插入打印机。



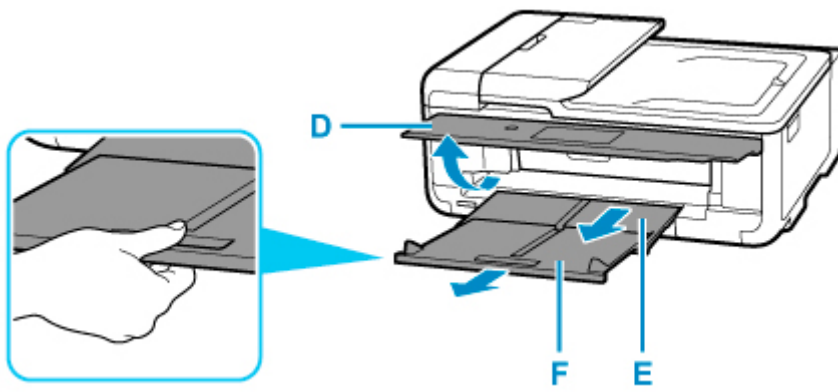
将纸盒插入打印机后，触摸屏上会显示纸盒的纸张设置确认屏幕。


6. 如果触摸屏上的页尺寸与纸盒中装入的纸张尺寸相匹配，请选择**是**。  
否则，选择**更改**，根据已装入纸张的尺寸更改设置。

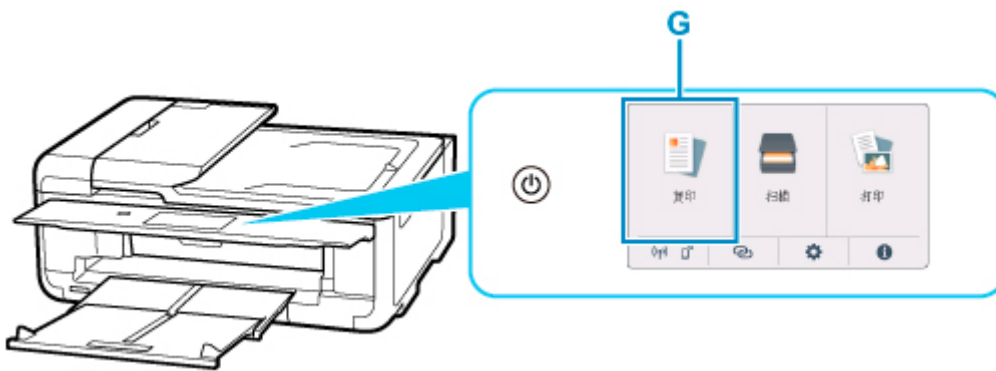


7. 打开操作面板(D)，然后拉出出纸托盘(E)和出纸支架(F)。

务必在打印前打开操作面板。如果操作面板合上，则打印机不会开始打印。



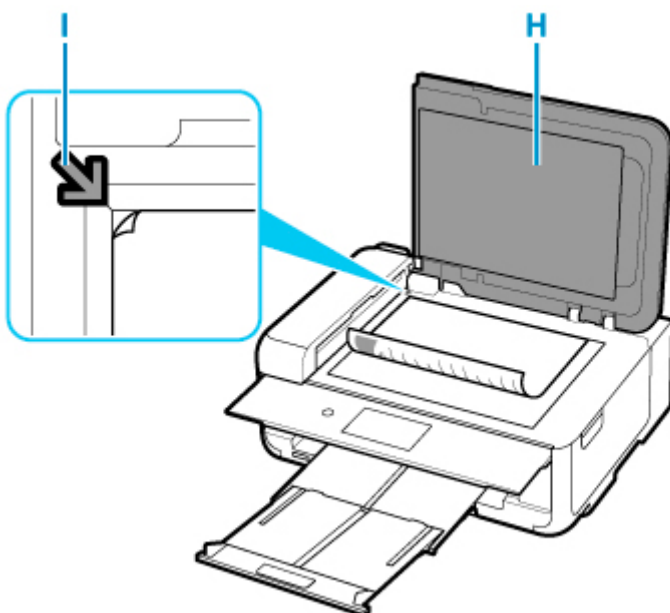
8. 在主页屏幕上选择  复印(G)。



9. 选择  标准复印。

10. 打开文档盖板(H)。

11. 将要复印的一面向下放置原稿并使其与对齐标记(I)对齐。



## 注釋

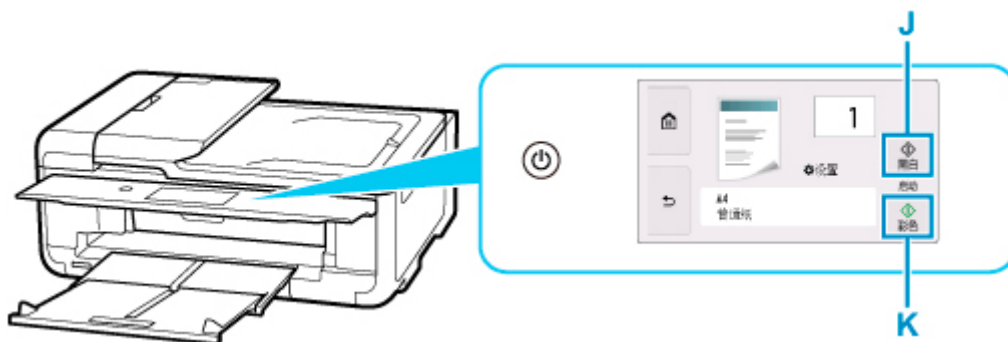
- 要连续复印两个或更多文档，可将其装入 ADF(自动输稿器)。



■ 在 ADF(自动输稿器)中装入文档

12. 关闭文档盖板。

13. 检查纸张设置并点击黑白(J)或彩色(K)。



## 重要事項

- 复印完成前，请勿打开文档盖板。

## 注釋

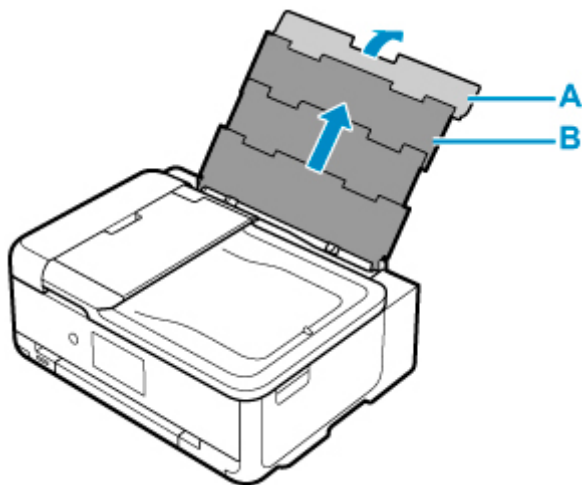
- 打印机配备了许多其他便捷的复印功能。

### ■ 复印

## 从存储卡打印照片

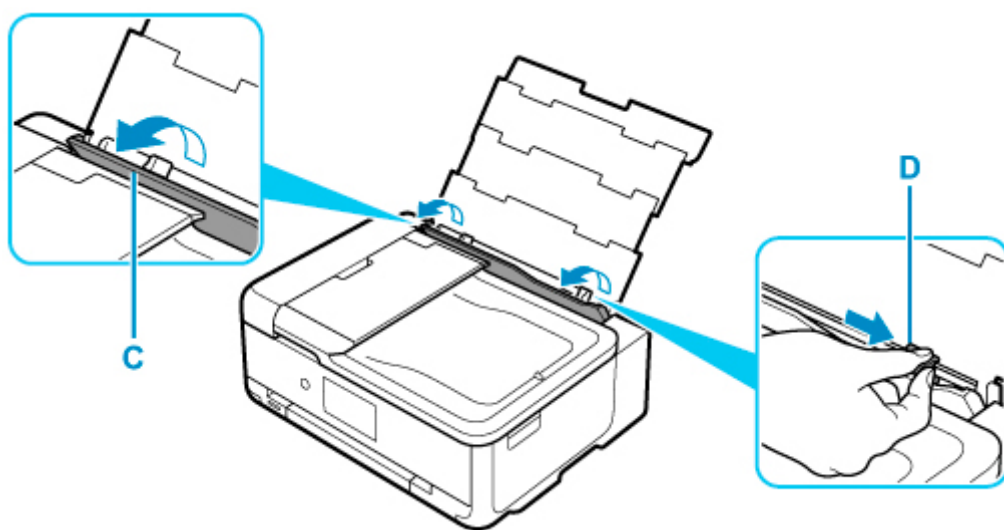
本节描述如何打印存储卡上的照片。

1. 打开后端托盘盖(A)。垂直向上拉靠纸架(B)并将其向后折。

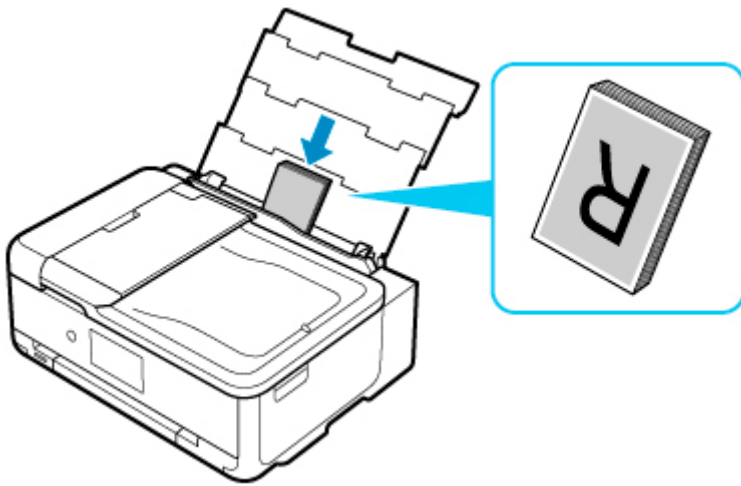


2. 打开进纸插槽盖板(C)。

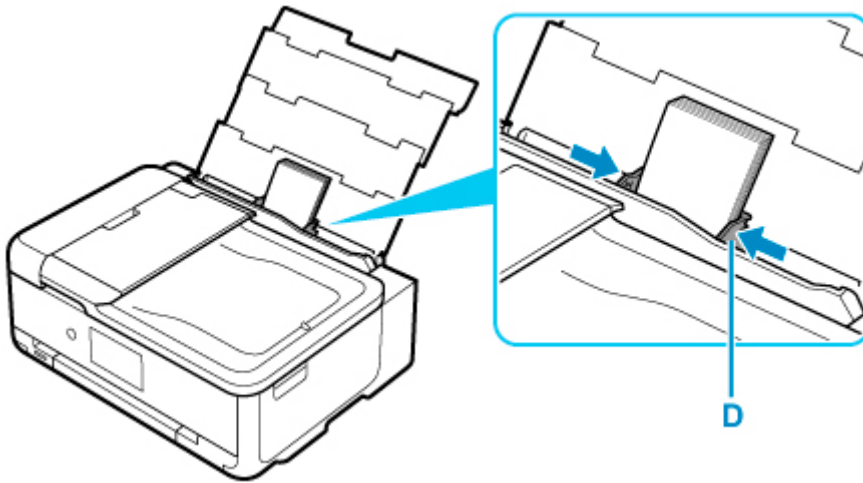
3. 移动右侧纸张导片(D)，打开两个纸张导片。



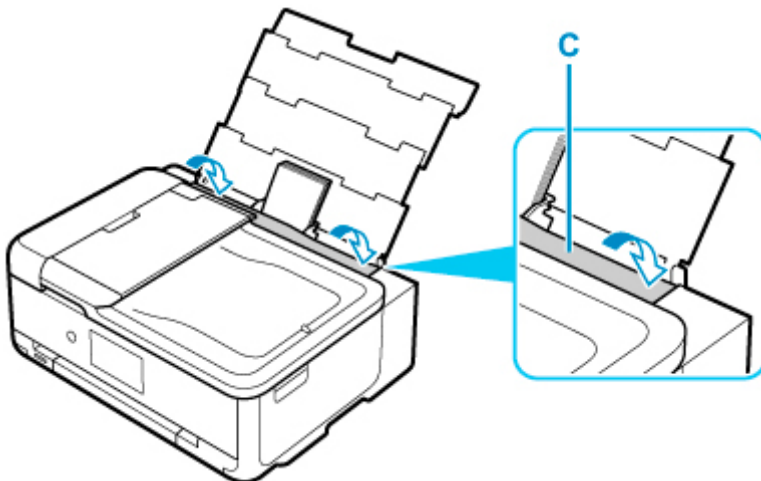
4. 将打印面向上纵向装入照片纸。



5. 移动右侧纸张导片(D)以对齐纸叠的两侧。



6. 请轻轻关闭进纸插槽盖板(C)。



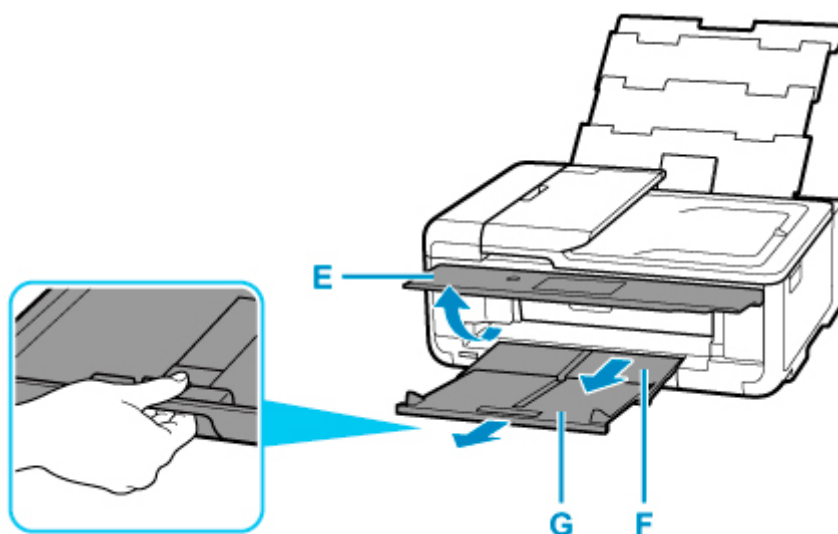
关闭进纸插槽盖板后，触摸屏上会显示后端托盘的纸张设置确认屏幕。

7. 如果触摸屏上的页尺寸和介质类型与后端托盘中装入的纸张尺寸和类型相匹配，请选择**是**。  
否则，选择**更改**，根据已装入纸张的尺寸和类型更改设置。



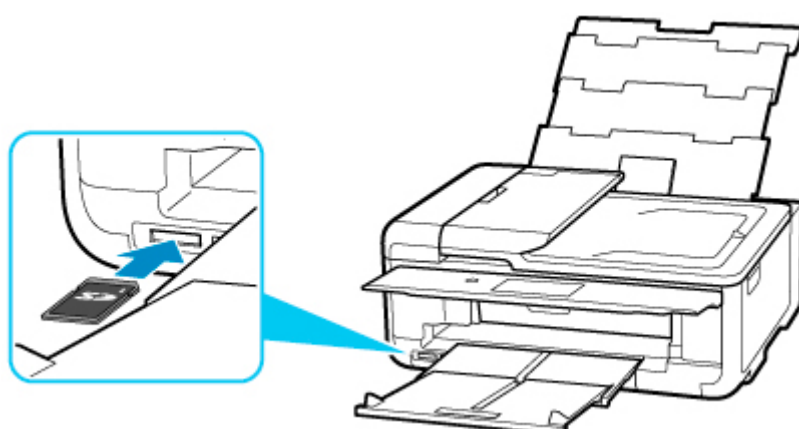
8. 打开操作面板(E)，然后拉出出纸托盘(F)和出纸支架(G)。

务必在打印前打开操作面板。如果操作面板合上，则打印机不会开始打印。



9. 插入存储卡。

\* 下图以 SD/SDHC/SDXC 存储卡为例。



►► 注释

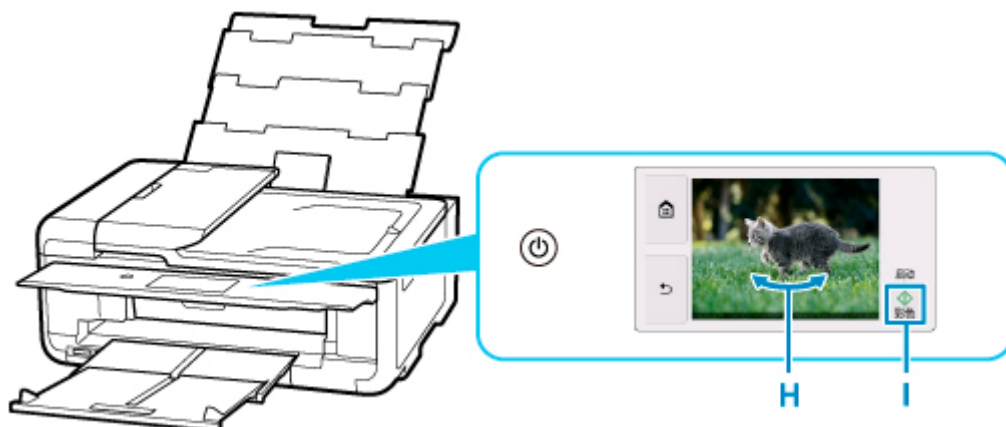
- 有关插入除 SD/SDHC/SDXC 存储卡以外的其他存储卡的详细资料，请参见以下内容。

■ 插入存储卡



10. 左右滑动照片(H)并选择一张。

11. 检查纸张设置并点击彩色(I)。



### 重要事项

- 打印过程中请勿取出存储卡。存储卡上的数据可能会被损坏。

### 注释

- 本打印机配备了許多其他便捷的照片打印功能。

■ [打印照片数据](#)

## 从计算机打印光盘标签

本节描述如何使用 Easy-PhotoPrint Editor 在可打印光盘上打印照片。

### 重要事项

- 出现提示您装入可打印光盘的信息时，再安装多用途托盘。否则会损坏打印机。

#### 1. 启动 Easy-PhotoPrint Editor。

##### 对于 Windows:

以下步骤适用于运行 Windows 10 操作系统的计算机。

从开始菜单选择(所有应用 >) **Canon Utilities > Easy-PhotoPrint Editor**。

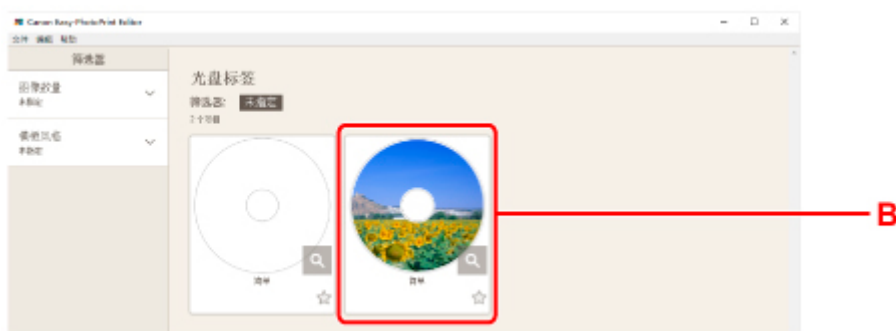
##### 对于 macOS:

从 **Finder** 中的**前往**菜单，选择**应用程序**，双击 **Canon Utilities** 文件夹、**Easy-PhotoPrint Editor** 文件夹，然后双击 **Easy-PhotoPrint Editor** 图标。

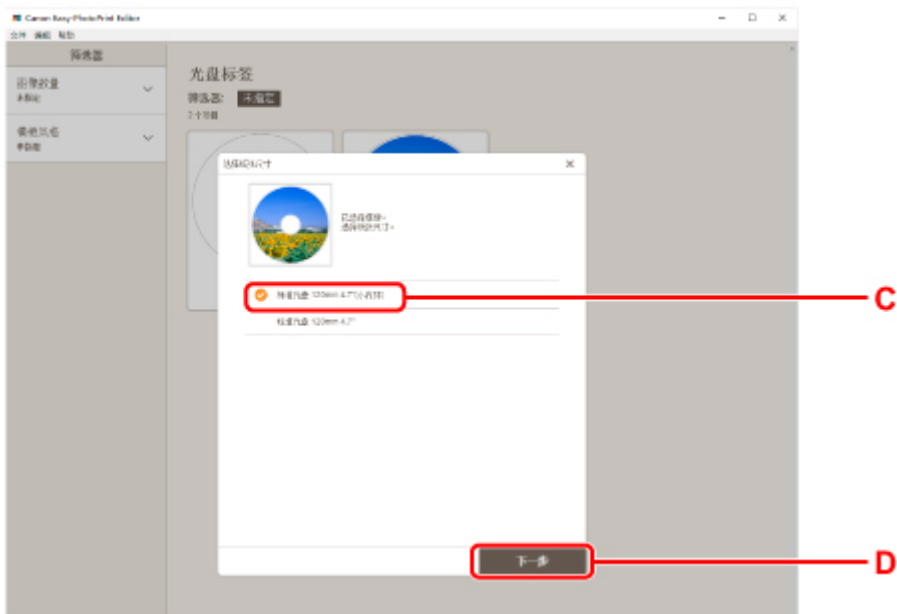
#### 2. 单击光盘标签图标(A)。



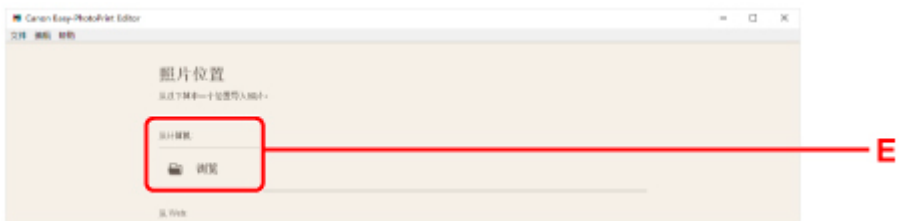
#### 3. 选择模板(B)。



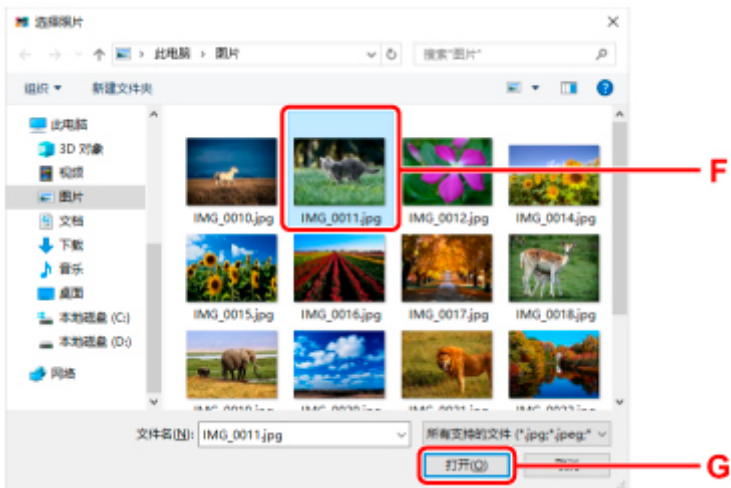
#### 4. 选择可打印光盘的类型(C)，然后选择下一步(D)。



5. 在“从计算机:”中单击浏览(E), 然后选择包含要打印照片的文件夹。



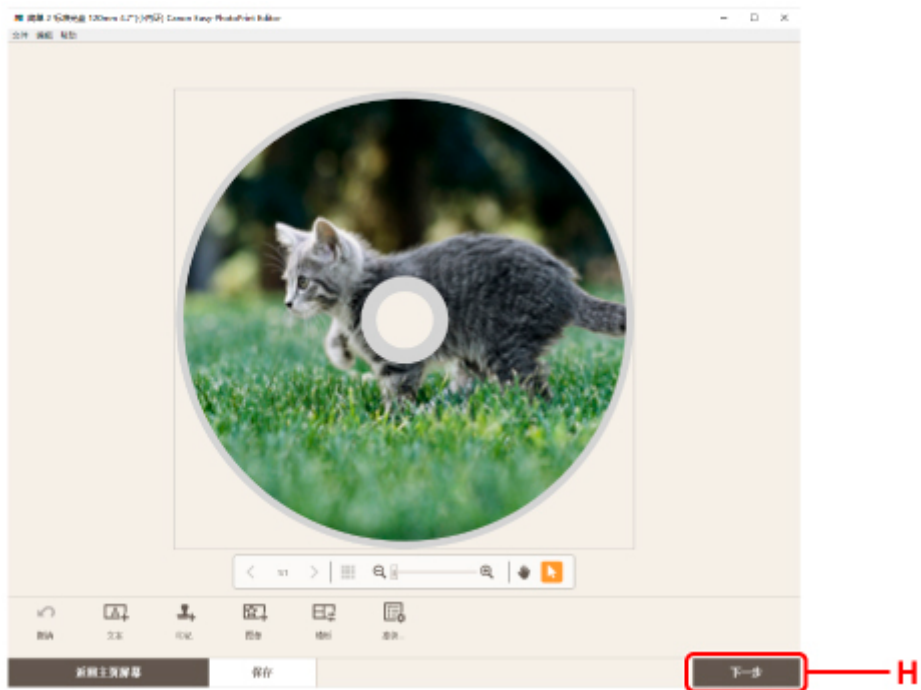
6. 单击要打印的照片(F), 然后选择打开(G)。



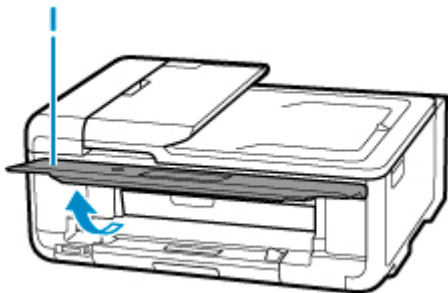
7. 编辑光盘标签, 然后选择下一步(H)。

可以更改背景或添加文本。

■ Easy-PhotoPrint Editor 指南



8. 打开操作面板(I)直到其水平。



9. 在打印设置(J)下指定份数和其他选项。

**对于 Windows:**

指定份数、打印机名称和其他选项。

**对于 macOS:**

指定份数和其他选项。

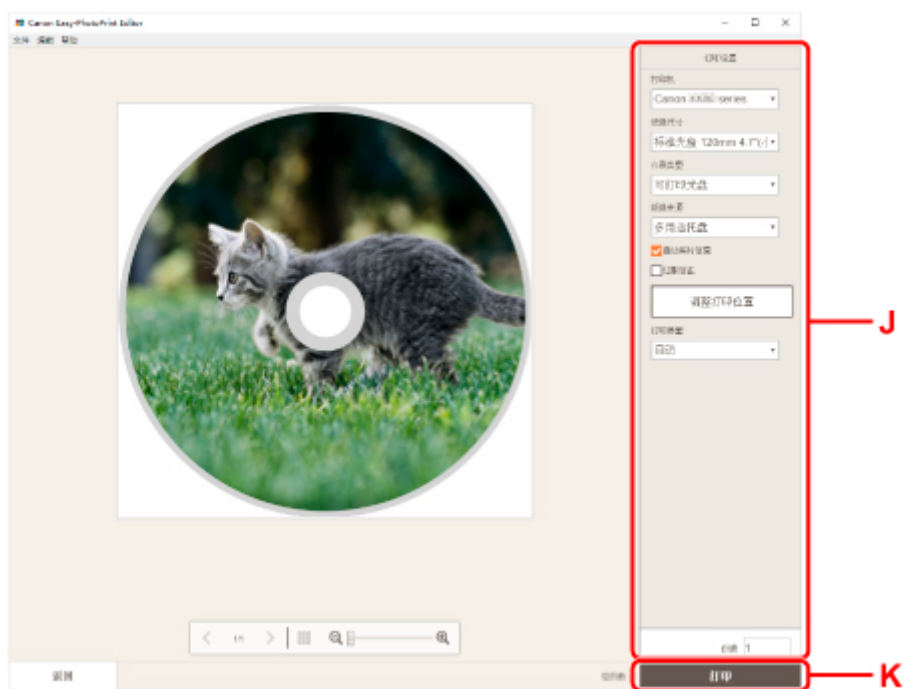
10. 开始打印。

**对于 Windows:**

单击打印(K)。

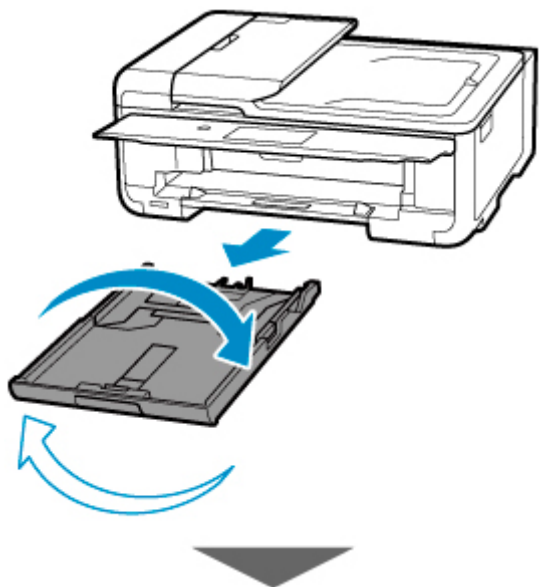
**对于 macOS:**

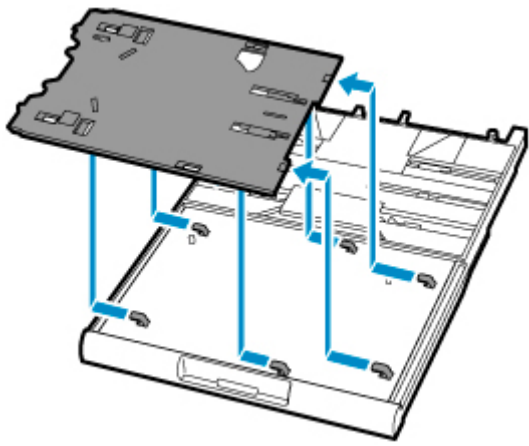
单击下一步。出现打印对话框后，指定所用型号名称和其他选项，然后单击打印。



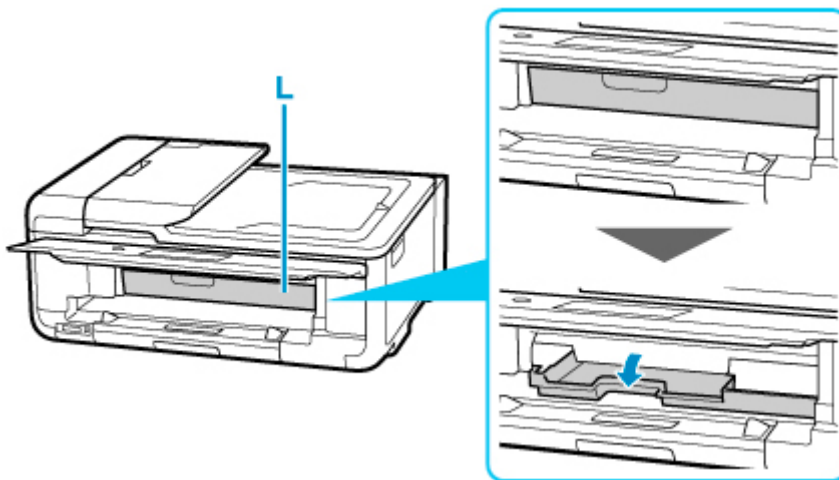
11. 打印机的触摸屏上出现提示您装入可打印光盘的信息时，从打印机中取出纸盒，然后从纸盒背面取下多用途托盘。

将取出的纸盒重新插入打印机。



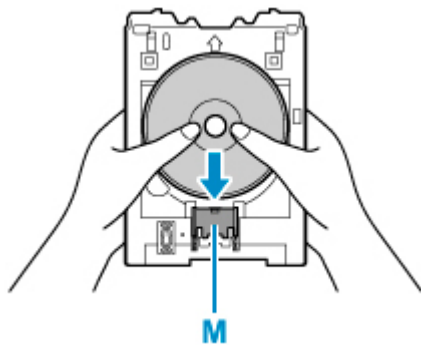


12. 打开多用途托盘导引器(L)，并将其完全按下。

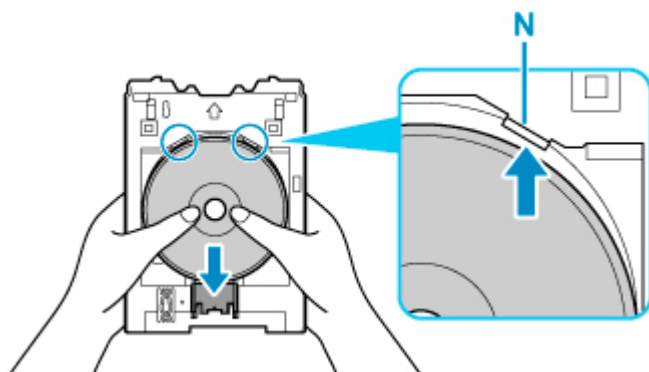


13. 将可打印光盘放置到多用途托盘上。

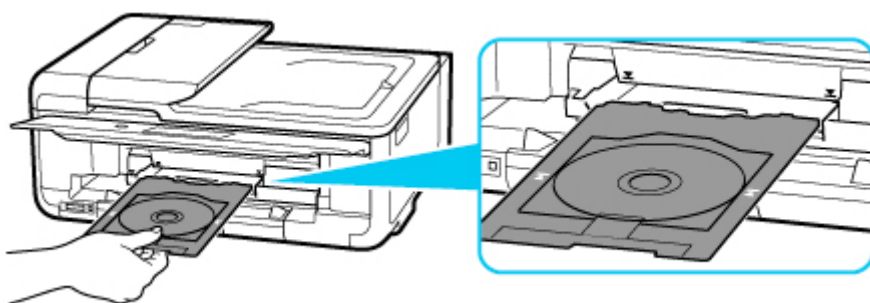
1. 将打印面向上，紧靠底部的固定导片(M)向下按可打印光盘，以装入可打印光盘。



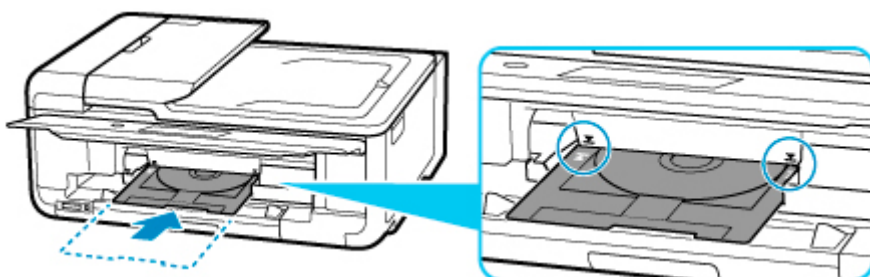
2. 用可打印光盘向下按固定导片，将可打印光盘上部插入卡槽(N)。



14. 将多用途托盘放置到多用途托盘导引器上。



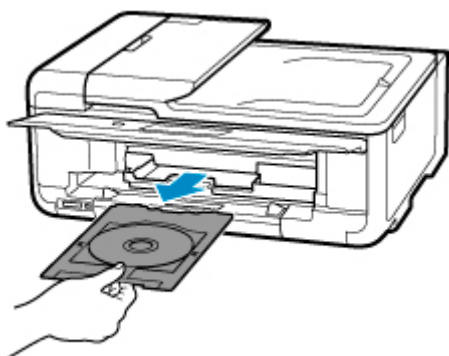
15. 沿水平方向平直地插入多用途托盘，直至多用途托盘导引器上的箭头(▼)与多用途托盘上的箭头(▲)基本对齐。



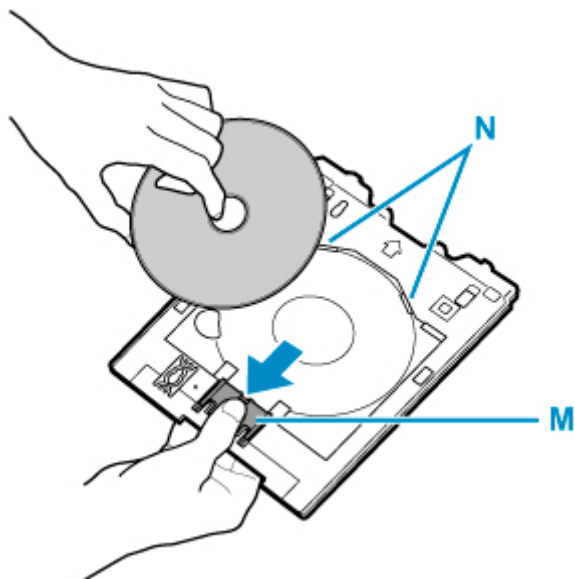
16. 在打印机触摸屏上选择 **OK**。

多用途托盘收回到打印机内，并开始打印。

17. 打印完成后，从打印机中拉出多用途托盘，将其取下。



18. 按下固定导片(M), 同时从多用途托盘上的卡槽(N)取出可打印光盘, 将其取下。




►►► 注释

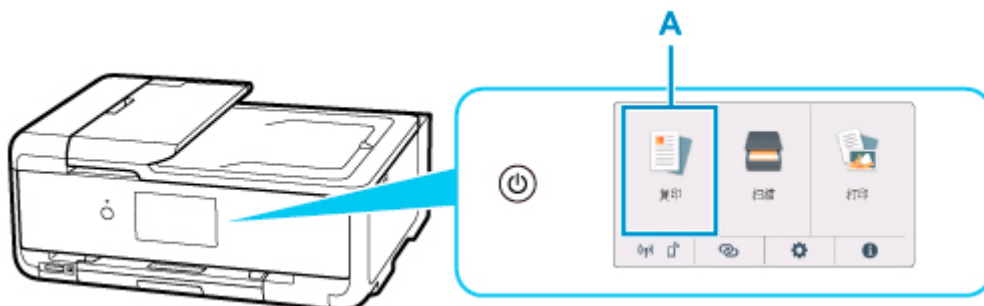
- Easy-PhotoPrint Editor 可以使您在光盘标签上以多种布局打印照片。  
■ Easy-PhotoPrint Editor 指南



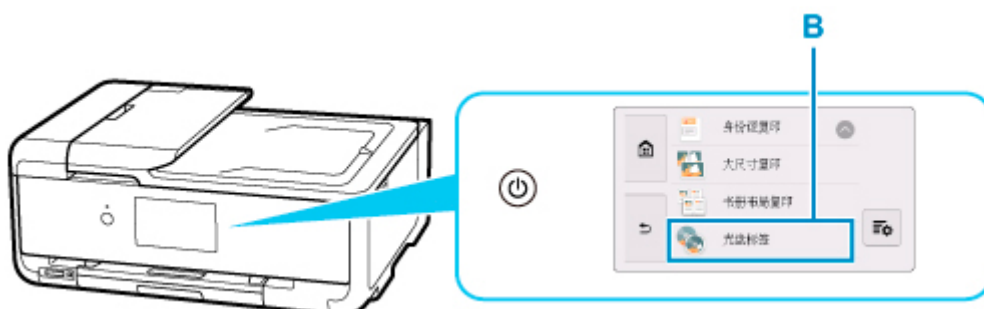
## 复印光盘标签

本节介绍如何复印现有光盘(BD/DVD/CD 等)的标签，并将其打印到可打印光盘上。

1. 在主页屏幕上选择  复印(A)。

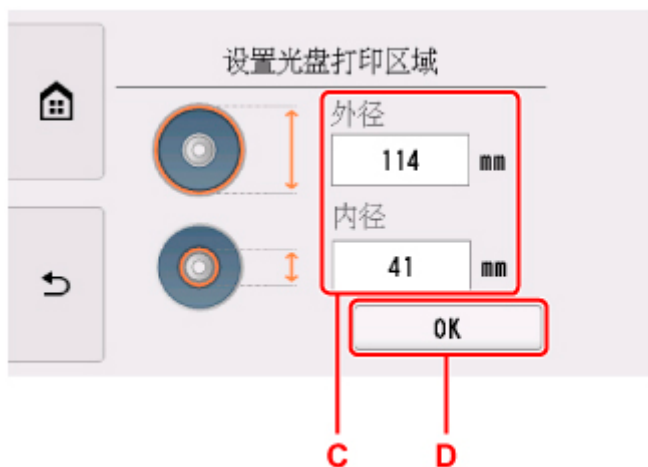


2. 选择  光盘标签(B)。



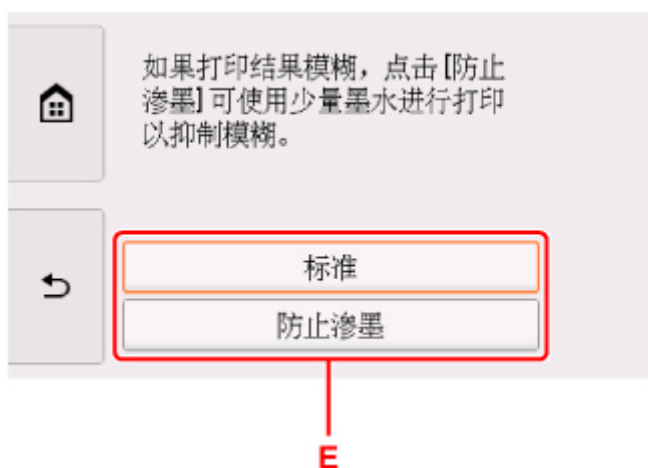
3. 查看信息并选择 **OK**。
4. 根据需要指定可打印光盘的打印区域。

选择外径或内径(C)，指定打印区域，然后选择 **OK**(D)。



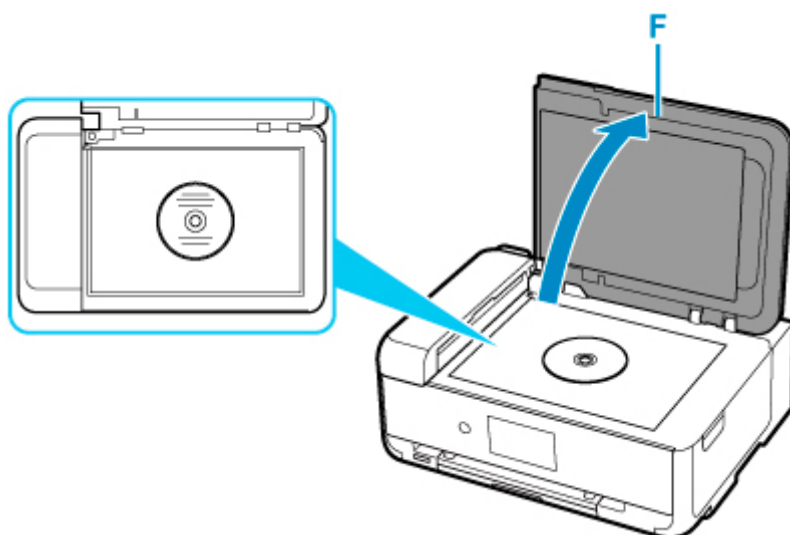
5. 指定墨水量(E)。

如果打印结果模糊，请选择**防止渗墨**。通过使用少量墨水进行打印以改善模糊情况。



6. 打开文档盖板(F)。

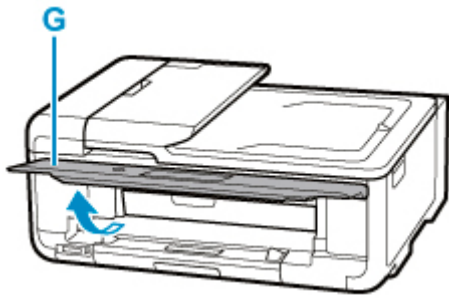
7. 将复印来源(BD/DVD/CD 等)的标签面向下放置在稿台玻璃上。



8. 关闭文档盖板。

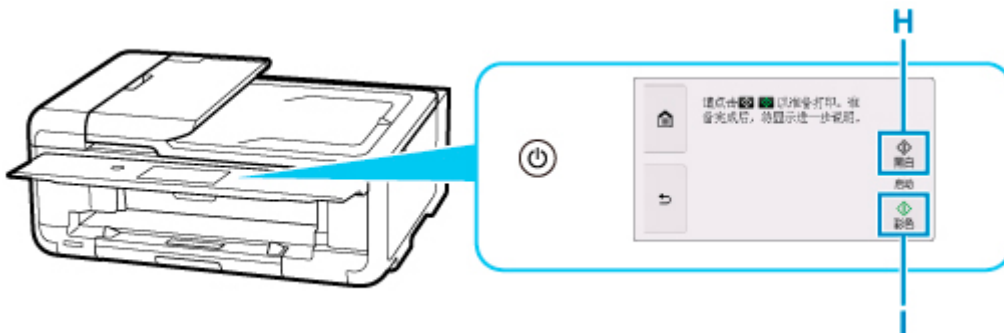
9. 选择触摸屏上的 **OK**。

10. 打开操作面板(G)直到其水平。



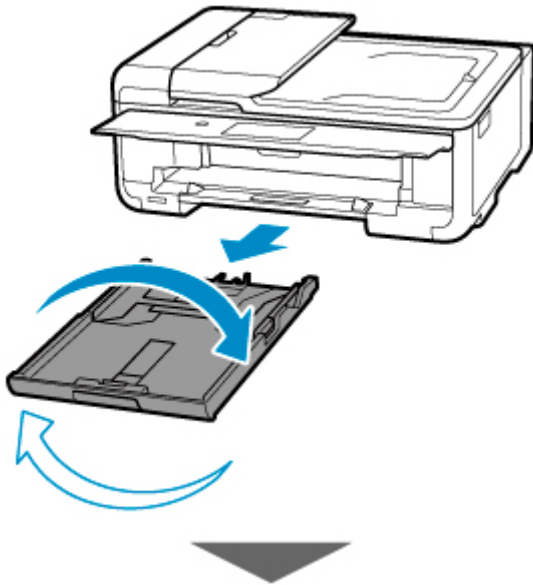
11. 点击黑白(H)或彩色(I)。

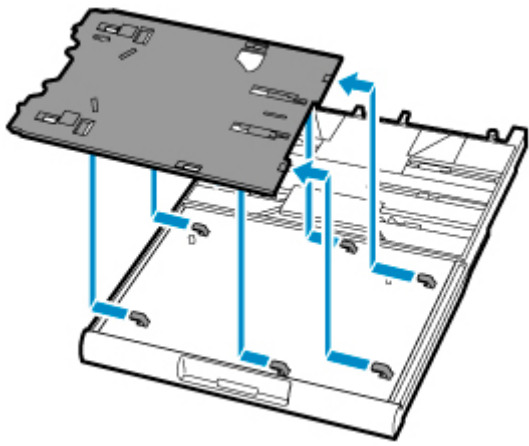
显示提示装入可打印光盘的信息。



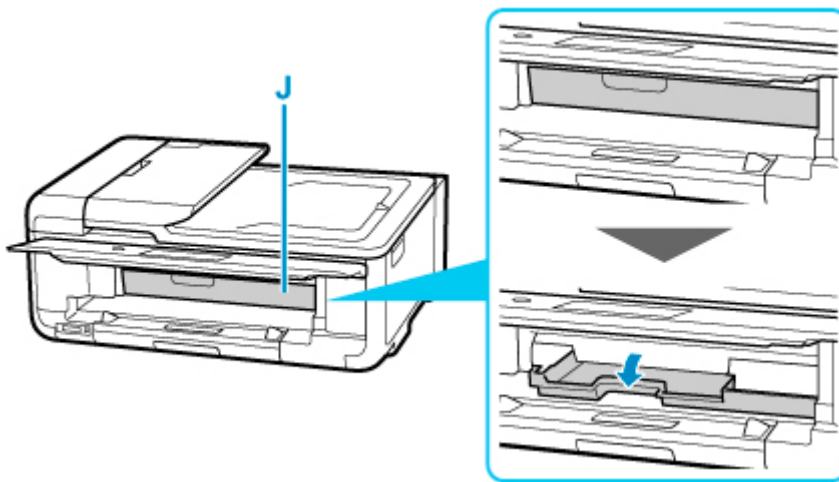
12. 从打印机中取出纸盒，然后从纸盒背面取下多用途托盘。

将取出的纸盒重新插入打印机。



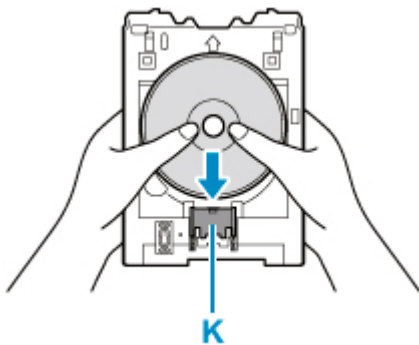


13. 打开多用途托盘导引器(J)，并将其完全按下。

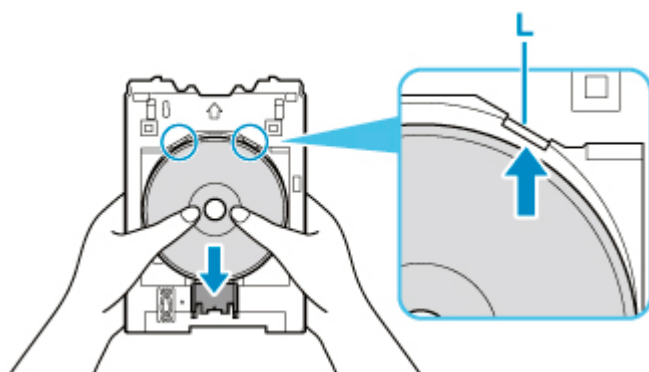


14. 将可打印光盘放置到多用途托盘上。

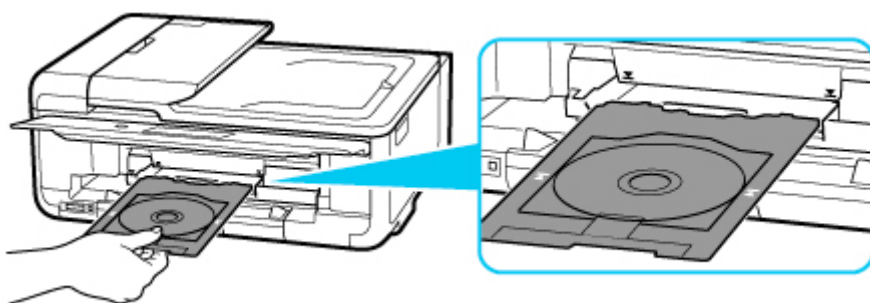
1. 将打印面向上，紧靠底部的固定导片(K)向下按可打印光盘，以装入可打印光盘。



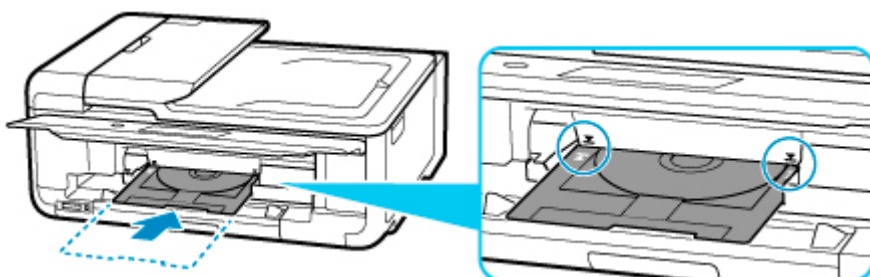
2. 用可打印光盘向下按固定导片，将可打印光盘上部插入卡槽(L)。



15. 将多用途托盘放置到多用途托盘导引器上。



16. 沿水平方向平直地插入多用途托盘，直至多用途托盘导引器上的箭头(▼)与多用途托盘上的箭头(▲)基本对齐。



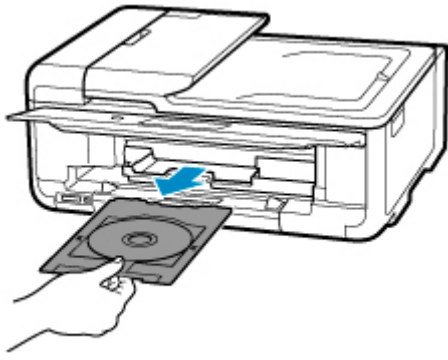
17. 选择触摸屏上的 **OK**。

多用途托盘收回到打印机内，并开始复印。

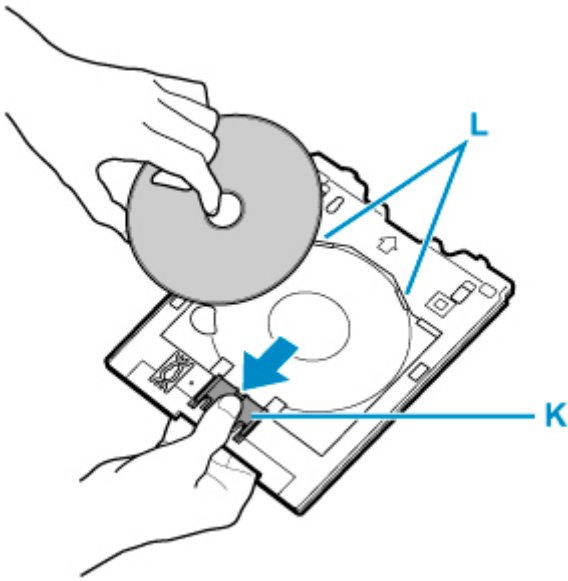
### 重要事项

- 复印完成前，请勿打开文档盖板。

18. 复印完成后，从打印机中拉出多用途托盘，将其取下。



19. 按下固定导片(K), 同时从多用途托盘上的卡槽(L)取出可打印光盘, 将其取下。



#### 注釋


- 本打印机配备了許多其他光盘标签打印功能。

#### ■ [光盘标签打印](#)

# 网络

## 可用的连接方法


打印机可提供以下连接方法。

- 无线连接 

使用无线路由器连接打印机和设备(如计算机/智能手机/平板电脑)。

如果已有无线路由器，建议将其用于无线连接。




- 根据无线路由器类型的不同，连接方法会有所不同。
- 可以在打印机上更改网络设置，如网络名称(SSID)和安全协议。
- 设备和无线路由器之间的连接完成且  (Wi-Fi 图标)显示在设备屏幕上时，可以使用无线路由器将设备连接到打印机。

- 无线直连

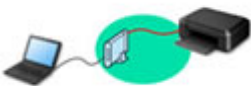
不使用无线路由器连接打印机和设备(如计算机/智能手机/平板电脑)。



- 通过无线直连使用打印机时，无法从打印机使用互联网连接。在这种情况下，用于打印机的 Web 服务无法使用。
- 设备通过无线路由器连接到互联网时，如果将其连接到处于无线直连的打印机，设备和无线路由器之间的连接将被禁用。在这种情况下，根据设备的不同，设备连接可能会自动切换至移动数据连接。使用移动数据连接进行互联网连接会产生传输费用。
- 在无线直连中，最多可以同时连接五台设备。如果在已连接五台设备时尝试连接第六台设备，将出现错误。如果出现错误，断开不使用的设备，然后重新配置设置。
- 会自动指定网络名称(SSID)和安全协议等网络设置。

- 有线连接 

使用 LAN 电缆线连接打印机和集线器/路由器。请准备 LAN 电缆线。



## 注 释

- 可以使用 USB 电缆线(USB 连接)连接打印机和计算机。准备 USB 电缆线。有关详细资料，请参见 [通过 LAN 连接到其他计算机/从 USB 更改为 LAN 连接](#)。

## 网络连接设置

对打印机和计算机/智能手机/平板电脑执行连接设置。

有关设置步骤的更多信息，请单击此处。

## 更改网络设置

有关更改打印机和计算机/智能手机/平板电脑的连接设置，请参见以下内容。

- 要更改网络连接方法：
  - [LAN 连接的重新配置方法/Wi-Fi 连接的重新配置方法](#)
  - 更改连接模式
- 要将计算机/智能手机/平板电脑添加至打印机：
  - [通过 LAN 连接到其他计算机/从 USB 更改为 LAN 连接](#)
- 要暂时使用无线直连：
  - [通过无线直连进行打印/扫描](#)

## IJ Network Device Setup Utility

如果网络连接发生错误，IJ Network Device Setup Utility 检查或诊断打印机和计算机的设置并恢复它们的状态。选择下列任一链接下载 IJ Network Device Setup Utility。

- 使用 IJ Network Device Setup Utility 检查打印机连接状态
- 执行/更改网络设置(Windows)

对于 Windows，可以使用 IJ Network Device Setup Utility 执行网络设置。

  - [IJ Network Device Setup Utility\(Windows\)](#)
- 诊断并修复网络设置(Windows/macOS)

可以使用 IJ Network Device Setup Utility 诊断或修复网络设置。

  - 对于 Windows：
    - [IJ Network Device Setup Utility\(Windows\)](#)
  - 对于 macOS：
    - IJ Network Device Setup Utility (macOS)

## 网络连接提示

有关通过网络连接使用打印机的提示，请参见以下部分。

- [网络连接提示](#)
- 使用 Web 浏览器处理打印机配置

## 故障排除

有关网络连接故障排除，请参见[网络设置和常见问题](#)。

## 通知/限制

有关详细信息，请参见以下内容。

- 有关网络设置的限制：
  - [限制](#)
- 使用 Web 服务打印时的通知：
  - Web 服务打印的注意事项



## 限制

在一个设备(如计算机)已连接打印机的情况下，如果再连接另一设备到打印机，请使用与已连接设备相同的连接方法。

如果使用不同的连接方法进行连接，将禁用与正在使用的设备之间的连接。

无法在不支持有线连接的打印机上使用有线网络进行连接。

## 通过无线路由器连接

- 不能同时为打印机建立无线和有线连接。
- 确保设备已与无线路由器连接。有关检查这些设置的详细资料，请参见无线路由器附带的手册或联系其制造商。  
对于未使用无线路由器连接到打印机的设备，通过无线路由器重新连接该设备。
- 根据系统环境的不同，无线路由器的配置、路由器功能、安装步骤以及安全设置会有所不同。有关详细资料，请参见无线路由器手册或联系其制造商。
- 本打印机不支持 IEEE802.11ac。根据所居住国家或地区的不同，IEEE802.11a 和 IEEE802.11n(5GHz)可能不受支持。检查设备是否支持 IEEE802.11n、IEEE802.11g、IEEE802.11b 或 IEEE802.11a。
- 如果设备设置为“仅 IEEE802.11n”模式，则 WEP 或 TKIP 无法用作安全协议。将设备的安全协议更改为 WEP 和 TKIP 以外的协议或将设置更改为“仅 IEEE802.11n”以外的设置。  
更改设置时，设备和无线路由器之间的连接将暂时禁用。设置未完成时，请勿继续操作本指南的下一屏幕。
- 如在办公室环境下使用，请咨询网络管理员。
- 请注意，如果连接到一个没有安全保护的网路，个人信息可能会泄露给第三方。

## 无线直连

### 重要事项

- 设备通过无线路由器连接到互联网时，如果将其连接到处于无线直连模式的打印机，设备和无线路由器之间的现有连接将被禁用。在这种情况下，根据设备的不同，设备连接可能会自动切换至移动数据连接。当使用移动数据连接连接到互联网时，根据合同，可能会产生费用。
  - 使用无线直连来连接设备和打印机时，连接信息将保存到 Wi-Fi 设置。即使断开设备连接或将其连接到其他无线路由器后，设备可能也会自动连接到打印机。
  - 为防止自动连接到处于无线直连模式的打印机，请在使用打印机后更改连接模式，或在设备的 Wi-Fi 设置中设置为不进行自动连接。  
有关检查或更改无线路由器设置的详细资料，请参见无线路由器手册或联系其制造商。
- 如果使用无线直连来连接设备和打印机，根据所用环境，互联网连接可能不可用。在这种情况下，用于打印机的 Web 服务无法使用。
- 在无线直连模式下，最多可以同时连接五台设备。如果在已连接五台设备时尝试连接第六台设备，将出现错误。  
如果出现错误，断开不使用打印机的设备，然后重新配置设置。
- 使用无线直连连接到打印机的设备无法彼此进行通讯。
- 使用无线直连时，将不能对打印机进行固件更新。

- 未使用无线路由器将设备连接到打印机且要使用相同的连接方法重新进行设置时，请先断开连接。在 Wi-Fi 设置屏幕上禁用设备和打印机之间的连接。

## **使用有线网络进行连接**

- 不能同时为打印机建立无线和有线连接。
- 使用路由器时，请将打印机和设备连接到 LAN 一侧(同一网络区域)。

## 网络连接提示

---

- ▶ 默认网络设置
- ▶ 检测到相同打印机名称
- ▶ 通过 LAN 连接到其他计算机/从 USB 更改为 LAN 连接
- ▶ 打印网络设置
- ▶ LAN 连接的重新配置方法/Wi-Fi 连接的重新配置方法

## 默认网络设置

### LAN 连接默认值

项目	默认
启用/禁用 LAN	禁用 LAN
网络名称(SSID)	BJNPSETUP
Wi-Fi 安全	禁用
IP 地址 (IPv4)	自动设置
IP 地址 (IPv6)	自动设置
设置打印机名称*	XXXXXXXXXXXX
启用/禁用 IPv6	启用
启用/禁用 WSD	启用
超时设置	15 分钟
启用/禁用 Bonjour	启用
服务名称	Canon TS9580 series
LPR 协议设置	启用
RAW 协议	启用
LLMNR	启用
PictBridge 通讯	启用
有线 LAN 间歇接收设置	启用

(“XX”表示字母数字字符。)

\* 默认值因打印机而异。要检查默认值，请使用操作面板。

#### ■ LAN 设置

### 无线直连默认值

项目	默认
网络名称(SSID)/设备名称	DIRECT-abXX-TS9580series *1
密码	YYYYYYYYYYY *2
Wi-Fi 安全	WPA2-PSK(AES)
确认连接请求	显示

\*1 “ab” 为随机指定而 “XX” 表示打印机 MAC 地址的最后两位数字。(首次开启打印机时指定该值。)

\*2 首次开启打印机时自动指定该密码。

## 检测到相同打印机名称

设置过程中检测到打印机时，结果屏幕上可能会出现多台具有相同名称的打印机。

对照检测结果屏幕上的设置查看打印机设置，从而选择打印机。

- 对于 Windows:

查看打印机的 MAC 地址或序列，从结果中选择正确的打印机。

- 对于 macOS:

打印机名称显示为末尾添加 MAC 地址的名称，或显示为由 Bonjour 指定的打印机名称。

检查标识符，如 MAC 地址、由 Bonjour 指定的打印机名称以及打印机的序列号，从出现的打印机中选择打印机。

### 注 释

- 序列号可能未显示在结果屏幕上。

使用以下任一方法检查打印机的 MAC 地址和序列号。

- 在触摸屏上显示。

MAC 地址

■ [LAN 设置](#)

序列号

■ [系统信息](#)

- 打印网络设置。

■ [打印网络设置](#)

## 通过 LAN 连接到其他计算机/从 USB 更改为 LAN 连接

---

- [对于 Windows:](#)
- [对于 macOS:](#)

### 对于 Windows:

要在 LAN 上添加计算机以连接到打印机或从 USB 更改为 LAN 连接，请使用安装光盘或从网页执行设置。

### 对于 macOS:

要通过 LAN 将其他计算机连接到打印机，或从 USB 更改为 LAN 连接，请从网页执行设置。

## 打印网络设置

使用操作面板打印打印机的当前网络设置。


### 重要事项

- 此网络设置打印输出包含关于网络的重要信息。请小心处理。

1. 确认打印机已开启，并显示主页屏幕。

如果未显示主页屏幕，请触摸主页按钮。

2. [装入三张 A4 或 Letter 尺寸普通纸。](#)

3. 在主页屏幕上选择  (设置)图标。

4. 选择设备设置。

5. 选择 LAN 设置。

6. 选择打印详细信息。

7. 查看信息，并选择是。

8. 查看信息并选择开或关。

打印机开始打印网络设置信息。

打印出打印机网络设置的以下信息。(根据打印机设置，某些设置值不会显示。)

项目编号	项目	描述	设置
1	Product Information	产品信息	-
1-1	Product Name	产品名称	XXXXXXXX
1-2	ROM Version	ROM 版本	XXXXXXXX
1-3	Serial Number	序列号	XXXXXXXX
2	Network Diagnostics	网络诊断	—
2-1	Diagnostic Result	诊断结果	XXXXXXXX
2-2	Result Codes	结果代码	XXXXXXXX
2-3	Result Code Details	结果代码详细资料	<a href="http://canon.com/ijnwt">http://canon.com/ijnwt</a>
3	Wireless LAN	无线 LAN	Enable/Disable



3-2	Infrastructure	基础结构	Enable/Disable
3-2-1	Signal Strength	信号强度	0 到 100[%]
3-2-2	Link Quality	连接质量	0 到 100[%]
3-2-3	Frequency	频率	XX(GHz)
3-2-4	MAC Address	MAC 地址	XX:XX:XX:XX:XX:XX
3-2-5	Connection	连接状态	Active/Inactive
3-2-6	SSID	SSID	无线 LAN 网络名称(SSID)
3-2-7	Channel	通道	XX(1 到 13)
3-2-8	Encryption	加密方法	None/WEP/TKIP/AES
3-2-9	WEP Key Length	WEP 密钥长度(位)	Inactive/128/64
3-2-10	Authentication	验证方法	None/auto/open/shared/WPA-PSK/WPA2-PSK
3-2-11	TCP/IPv4	TCP/IPv4	Enable
3-2-12	IP Address	IP 地址	XXX.XXX.XXX.XXX
3-2-13	Subnet Mask	子网掩码	XXX.XXX.XXX.XXX
3-2-14	Default Gateway	默认网关	XXX.XXX.XXX.XXX
3-2-15	TCP/IPv6	TCP/IPv6	Enable/Disable
3-2-16	Link Local Address	本地链路地址	XXXX:XXXX:XXXX:XXXX XXXX:XXXX:XXXX:XXXX
3-2-17	Link Local Prefix Length	本地链路前缀长度	XXX
3-2-18	Stateless Address1	无状态地址 1	XXXX:XXXX:XXXX:XXXX XXXX:XXXX:XXXX:XXXX
3-2-19	Stateless Prefix Length1	无状态前缀长度 1	XXX
3-2-20	Stateless Address2	无状态地址 2	XXXX:XXXX:XXXX:XXXX XXXX:XXXX:XXXX:XXXX
3-2-21	Stateless Prefix Length2	无状态前缀长度 2	XXX
3-2-22	Stateless Address3	无状态地址 3	XXXX:XXXX:XXXX:XXXX XXXX:XXXX:XXXX:XXXX
3-2-23	Stateless Prefix Length3	无状态前缀长度 3	XXX

3-2-24	Stateless Address4	无状态地址 4	XXXX:XXXX:XXXX:XXXX XXXX:XXXX:XXXX:XXXX
3-2-25	Stateless Prefix Length4	无状态前缀长度 4	XXX
3-2-26	Default Gateway1	默认网关 1	XXXX:XXXX:XXXX:XXXX XXXX:XXXX:XXXX:XXXX
3-2-27	Default Gateway2	默认网关 2	XXXX:XXXX:XXXX:XXXX XXXX:XXXX:XXXX:XXXX
3-2-28	Default Gateway3	默认网关 3	XXXX:XXXX:XXXX:XXXX XXXX:XXXX:XXXX:XXXX
3-2-29	Default Gateway4	默认网关 4	XXXX:XXXX:XXXX:XXXX XXXX:XXXX:XXXX:XXXX
3-2-33	IPsec	IPsec 设置	Active
3-2-34	Security Protocol	安全方法	ESP/ESP & AH/AH
3-3	Wireless Direct	无线直连的操作模式	Enable/Disable
3-3-1	MAC Address	MAC 地址	XX:XX:XX:XX:XX:XX
3-3-2	Connection	连接状态	Active/Inactive
3-3-3	SSID	SSID	无线直连网络名称(SSID)
3-3-4	Password	密码	无线直连密码(10 个字母数字字符)
3-3-5	Channel	通道	3
3-3-6	Encryption	加密方法	AES
3-3-7	Authentication	验证方法	WPA2-PSK
3-3-8	TCP/IPv4	TCP/IPv4	Enable
3-3-9	IP Address	IP 地址	XXX.XXX.XXX.XXX
3-3-10	Subnet Mask	子网掩码	XXX.XXX.XXX.XXX
3-3-11	Default Gateway	默认网关	XXX.XXX.XXX.XXX
3-3-12	TCP/IPv6	TCP/IPv6	Enable/Disable
3-3-13	Link Local Address	本地链路地址	XXXX:XXXX:XXXX:XXXX XXXX:XXXX:XXXX:XXXX
3-3-14	Link Local Prefix Length	本地链路前缀长度	XXX

3-3-15	IPsec	IPsec 设置	Active
3-3-16	Security Protocol	安全方法	-
4	Wired LAN	有线 LAN	Enable/Disable
4-1	MAC Address	MAC 地址	XX:XX:XX:XX:XX:XX
4-2	Connection	有线 LAN 状态	Active/Inactive
4-3	TCP/IPv4	TCP/IPv4	Enable
4-4	IP Address	IP 地址	XXX.XXX.XXX.XXX
4-5	Subnet Mask	子网掩码	XXX.XXX.XXX.XXX
4-6	Default Gateway	默认网关	XXX.XXX.XXX.XXX
4-7	TCP/IPv6	TCP/IPv6	Enable/Disable
4-8	Link Local Address	本地链路地址	XXXX:XXXX:XXXX:XXXX XXXX:XXXX:XXXX:XXXX
4-9	Link Local Prefix Length	本地链路前缀长度	XXX
4-10	Stateless Address1	无状态地址 1	XXXX:XXXX:XXXX:XXXX XXXX:XXXX:XXXX:XXXX
4-11	Stateless Prefix Length1	无状态前缀长度 1	XXX
4-12	Stateless Address2	无状态地址 2	XXXX:XXXX:XXXX:XXXX XXXX:XXXX:XXXX:XXXX
4-13	Stateless Prefix Length2	无状态前缀长度 2	XXX
4-14	Stateless Address3	无状态地址 3	XXXX:XXXX:XXXX:XXXX XXXX:XXXX:XXXX:XXXX
4-15	Stateless Prefix Length3	无状态前缀长度 3	XXX
4-16	Stateless Address4	无状态地址 4	XXXX:XXXX:XXXX:XXXX XXXX:XXXX:XXXX:XXXX
4-17	Stateless Prefix Length4	无状态前缀长度 4	XXX
4-18	Default Gateway1	默认网关 1	XXXX:XXXX:XXXX:XXXX XXXX:XXXX:XXXX:XXXX
4-19	Default Gateway2	默认网关 2	XXXX:XXXX:XXXX:XXXX

			XXXX:XXXX:XXXX:XXXX
4-20	Default Gateway3	默认网关 3	XXXX:XXXX:XXXX:XXXX XXXX:XXXX:XXXX:XXXX
4-21	Default Gateway4	默认网关 4	XXXX:XXXX:XXXX:XXXX XXXX:XXXX:XXXX:XXXX
4-25	IPsec	IPsec 设置	Active
4-26	Security Protocol	安全方法	ESP/ESP & AH/AH
4-27	Wired LAN DRX	间歇接收(有线 LAN)	Enable/Disable
5	Other Settings	其他设置	-
5-1	Printer Name	打印机名称	打印机名称(最多 15 个字母数字字符)
5-2	Wireless Direct DevName	用于无线直连的设备名称	用于无线直连的设备名称(最多 32 个字母数字字符)
5-4	WSD Printing	WSD 打印设置	Enable/Disable
5-5	WSD Timeout	超时	1/5/10/15/20[分钟]
5-6	LPD Printing	LPD 打印设置	Enable/Disable
5-7	RAW Printing	RAW 打印设置	Enable/Disable
5-9	Bonjour	Bonjour 设置	Enable/Disable
5-10	Bonjour Service Name	Bonjour 服务名称	Bonjour 服务名称(最多 52 个字母数字字符)
5-11	LLMNR	LLMNR 设置	Enable/Disable
5-12	SNMP	SNMP 设置	Enable/Disable
5-13	PictBridge Commun.	PictBridge 通讯	Enable/Disable
5-14	DNS Server	自动包含 DNS 服务器地址	Auto/Manual
5-15	Primary Server	主服务器地址	XXX.XXX.XXX.XXX
5-16	Secondary Server	辅助服务器地址	XXX.XXX.XXX.XXX
5-17	Proxy Server	代理服务器设置	Enable/Disable
5-18	Proxy Address	代理地址	XXXXXXXXXXXXXXXXXXXXXXX
5-19	Proxy Port	代理端口指定	1 到 65535
5-20	Cert. Fingerprt(SHA-1)	证书指纹(SHA-1)	xxxxxxxx xxxxxxxx xxxxxxxx xxxxxxxx xxxxxxxx

5-21	Cert. Fingerprt(SHA-256)	证书指纹(SHA-256)	XXXXXXXX XXXXXXXX XXXXXXXX XXXXXXXX XXXXXXXX XXXXXXXX XXXXXXXX XXXXXXXX
6	Bluetooth	Bluetooth 设置	—
6-1	Bluetooth Setting	Bluetooth	Enable/Disable
6-3	Bluetooth Device Address	打印机的 Bluetooth 设备地址	XXXXXXXXXX
6-5	Bluetooth Device Name	打印机的 Bluetooth 设备名称	XXXXXXXXXX
7	Printer Log Service	打印机日志服务	—
7-1	Unsent Usage Logs	未发送的使用日志数量	0 到 200
7-2	Usage Log Last Sent	上次发送使用日志的日期	XXXXXXXXXX
7-3	Point Service	注册状态	Active/Awaiting Activation/No Active Service

(“XX”表示字母数字字符。)

## LAN 连接的重新配置方法/Wi-Fi 连接的重新配置方法


- [LAN 连接的重新配置方法](#)
- [重新配置 Wi-Fi 连接的方法](#)

### LAN 连接的重新配置方法

按照以下任一步骤更改 LAN 连接方法(有线或 Wi-Fi)。

#### • 对于 Windows:

- 请使用安装光盘或从网页重新执行设置。

- 选择主页屏幕上的  (设置)图标, 选择设备设置 -> LAN 设置, 然后选择 Wi-Fi -> 设置 -> 启用/禁用 Wi-Fi -> 启用以启用 Wi-Fi, 或选择设备设置 -> LAN 设置, 然后选择有线 LAN -> 设置 -> 启用/禁用有线 LAN -> 启用以启用有线 LAN。

然后, 在 IJ Network Device Setup Utility 的网络设置屏幕上执行设置。

有关详细资料, 请参阅[执行/更改 Wi-Fi 设置](#)或[执行/更改有线 LAN 连接\(以太网电缆线\)设置](#)。

#### • 对于 Mac OS:

- 从网页重新执行设置。

### 重新配置 Wi-Fi 连接的方法

按照以下任一步骤更改 Wi-Fi 连接方法(架构或无线直连)。

#### • 对于 Windows:

- 请使用安装光盘或从网页重新执行设置。
- 在 IJ Network Device Setup Utility 的网络设置屏幕上执行设置。

#### ▶▶▶ 重要事项

- 使用 IJ Network Device Setup Utility 执行设置前, 按照以下步骤在打印机上开启简易无线连接模式。

1. [确认打印机是否已开启。](#)

2. 选择  (无线连接)。

#### ■ [使用操作面板](#)

3. 在显示的屏幕上选择是。

按照智能手机或平板电脑上的说明进行操作。

4. 如果出现设置完成信息, 选择 OK。

- **对于 macOS:**

从网页重新执行设置。

## IJ Network Device Setup Utility(Windows)

---

- ▶ IJ Network Device Setup Utility
- ▶ 启动 IJ Network Device Setup Utility
- ▶ 诊断并修复网络设置
- ▶ 执行/更改网络设置
- ▶ 不支持诊断并修复功能的型号列表



## IJ Network Device Setup Utility

使用 IJ Network Device Setup Utility 可诊断或修复网络状态，并在网络上执行打印机设置。

IJ Network Device Setup Utility 可用于：

- 在网络上搜索打印机，并对检测到的打印机执行初始网络设置
- 通过使用 USB 电缆线连接打印机和计算机以执行初始网络设置(对部分型号不可用)
- 更改打印机网络设置
- 如果连接发生任何错误，诊断打印机和安装 IJ Network Device Setup Utility 的计算机的设置。此外，IJ Network Device Setup Utility 会修复打印机和计算机的状态(某些型号不可用)。

### 重要事项

- 根据使用的打印机不同，购买时已为打印机指定管理员密码。更改网络设置时，需要管理员密码进行验证。

有关详细资料：

#### ■ 管理员密码

为了提高安全性，建议更改管理员密码。

#### ■ 更改管理员密码

- 要通过 LAN 使用打印机，请确保备有此连接类型所必需的设备，如无线路由器或 LAN 电缆线。
- 安装 IJ Network Device Setup Utility 时，请禁用防火墙的拦截功能。
- 请勿在打印过程中使用 IJ Network Device Setup Utility 更改网络设置。

## 启动 IJ Network Device Setup Utility

按照如下所示启动 IJ Network Device Setup Utility。

- 在 Windows 10 环境下，选择**开始 > (所有应用 > ) > Canon Utilities > IJ Network Device Setup Utility**。
- 在 Windows 8.1 或 Windows 8 环境下，选择**开始**屏幕上的 **IJ Network Device Setup Utility** 以启动 IJ Network Device Setup Utility。如果**开始**屏幕上未显示 **IJ Network Device Setup Utility**，请选择**搜索**超级按钮并搜索“IJ Network Device Setup Utility”。
- 在 Windows 7 或 Windows Vista 环境下，单击**开始**并选择**所有程序、Canon Utilities、IJ Network Device Setup Utility**，然后选择 **IJ Network Device Setup Utility**。

启动 IJ Network Device Setup Utility 后，会出现一条信息。查看信息，并选择**是**。出现以下屏幕。



在显示的屏幕上选择**诊断并修复**或**打印机网络设置**。

- 如果选择**诊断并修复**:
  - [诊断并修复网络设置](#)
- 如果选择**打印机网络设置**:
  - [执行/更改网络设置](#)

## 诊断并修复网络设置

出现问题(如无法从网络上的打印机打印)时, IJ Network Device Setup Utility 会诊断并修复计算机设置或计算机与打印机的连接。

### 重要事项

- 部分型号不支持诊断并修复功能。

有关详细资料:

- [不支持诊断并修复功能的型号列表](#)

请按照以下步骤操作。

1. [启动 IJ Network Device Setup Utility。](#)
2. 查看显示的信息, 并选择是。
3. 在显示的屏幕中选择**诊断并修复**。

请按照屏幕上的说明执行操作。

### 注释

- 此功能检查以下项目:
  - 计算机是否已连接到路由器
  - 是否可以查看互联网上的网页
  - 是否可以在网络上检测打印机
  - 信号强度或通讯水平是否足够好(使用 Wi-Fi 时)
  - 打印机端口设置是否与网络设置相匹配

## 执行/更改网络设置

---

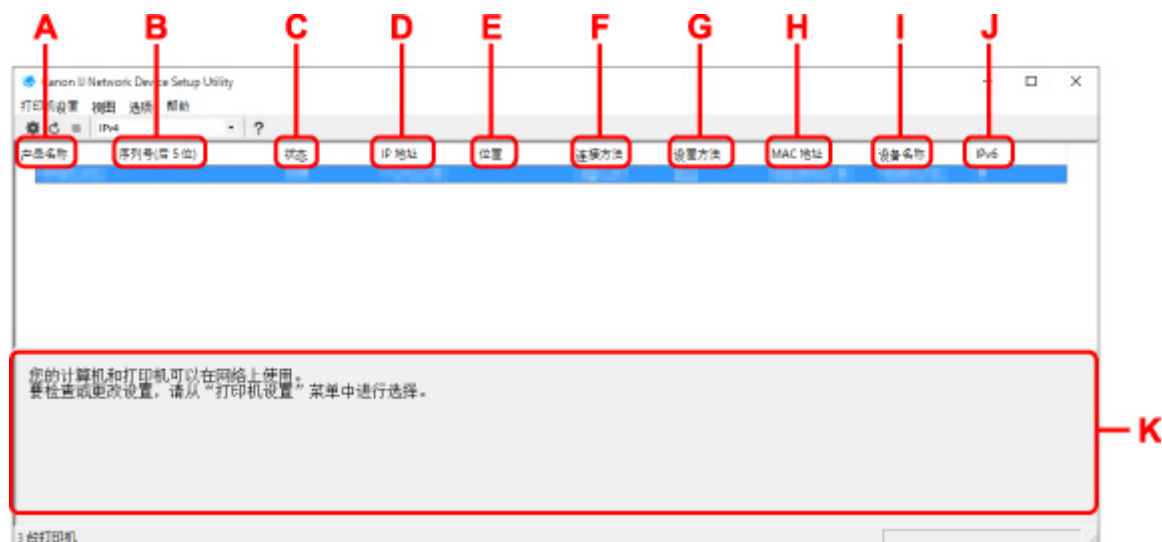
- ▶ Canon IJ Network Device Setup Utility 屏幕
- ▶ 执行网络设置

## Canon IJ Network Device Setup Utility 屏幕

- [Canon IJ Network Device Setup Utility 屏幕上的项目](#)
- [Canon IJ Network Device Setup Utility 屏幕上的菜单](#)
- [Canon IJ Network Device Setup Utility 屏幕工具栏上的项目](#)


### Canon IJ Network Device Setup Utility 屏幕上的项目

启动 IJ Network Device Setup Utility 并选择**打印机网络设置**后，会出现以下屏幕。屏幕上会列出检测到的打印机，并显示以下项目。



#### A: 产品名称

显示检测到的打印机的产品名称。如果打印机无法使用，屏幕左侧会出现以下图标。

: 打印机需要设置或尚未配置时出现。

: IP 地址与其他打印机重复时出现。

: 无法与打印机通讯时出现。

#### ▶▶▶ 注释

- 如果未检测到要使用的打印机，请尝试设置打印机的搜索条件。
  - 设置打印机的搜索条件/搜索特定打印机
- 右键单击打印机将显示设置项目或要确认的项目。

#### B: 序列号(后 5 位)

显示打印机序列号的最后 5 位数字。

#### C: 状态

显示打印机状态，如下所示。

##### • 可用

表示打印机可用。

##### • 设置完成

执行网络设置并单击**设置**以关闭窗口后出现。

- **需要设置**

表示需要打印机才能执行 Wi-Fi 设置。

- [执行/更改 Wi-Fi 设置](#)

- **未设置**

表示无法在网络上使用打印机或已禁用 IPv6。指定一个 IP 地址或在[网络设置...](#)上启用 IPv6。

- [执行/更改 Wi-Fi 设置](#)

- **IP 地址覆盖**

表示 IP 与其他打印机重复。

- **未知**

表示过去识别为**可用**的打印机当前无法使用。

- ▶▶▶ **注释**

- 如果从工具栏上的下拉菜单中选择 **USB**，则不会显示任何信息。

#### **D: IP 地址**

显示打印机 IP 地址。如果打印机状态为**需要设置**，则不显示任何内容。

- ▶▶▶ **注释**

- 如果从工具栏上的下拉菜单中选择 **USB**，则会显示“-”。

#### **E: 位置**

如果打印机已注册，显示其位置。如果打印机状态为**需要设置**，则不显示任何内容。

- ▶▶▶ **注释**

- 如果从工具栏上的下拉菜单中选择 **USB**，则不会显示任何信息。

- [指定打印机信息](#)

#### **F: 连接方法**

显示打印机连接方法(有线 LAN、Wi-Fi 或 USB)。

- ▶▶▶ **注释**

- 如果从工具栏上的下拉菜单中选择 **USB**，则会显示 **USB**。
    - 如果打印机支持两种 LAN 连接方法，则打印机会被识别为两台打印机并分别显示。(序列号(后 5 位)上显示相同的号码。)
    - 如果打印机不支持有线 LAN，则不会显示有线 LAN。
    - 如果正在计算机上使用不支持 Wi-Fi 的 IJ Network Device Setup Utility，则不会显示 Wi-Fi。

#### **G: 设置方法**

显示打印机设置方法。

- **自动**

通过自动指定的 IP 地址使用打印机时出现。

- **手动**

打印机使用手动指定的 IP 地址时出现。

## 注释

- 如果从工具栏上的下拉菜单中选择 **USB**，则会显示“-”。

### H: MAC 地址

显示检测到的打印机的 MAC 地址。

## 注释

- 如果从工具栏上的下拉菜单中选择 **USB**，则会显示“-”。

### I: 设备名称

如果打印机已注册，显示其设备名称。

## 注释

- 如果从工具栏上的下拉菜单中选择 **USB**，则不会显示任何信息。
- 状态显示为**需要设置**的打印机不会显示。

### 指定打印机信息

### J: IPv6

为打印机指定 IPv6 地址时，会出现**开**。

## 注释

- 如果从工具栏上的下拉菜单中选择 **USB**，则会显示“-”。

### K: 会显示打印机状态和操作指南。

从打印机列表中选择打印机，会显示其当前状态和下一步操作说明。

## Canon IJ Network Device Setup Utility 屏幕上的菜单

本节描述 Canon IJ Network Device Setup Utility 屏幕上的菜单。



#### A: 打印机设置菜单

- 打印机设置菜单

#### B: 视图菜单

- 视图菜单

#### C: 选项菜单

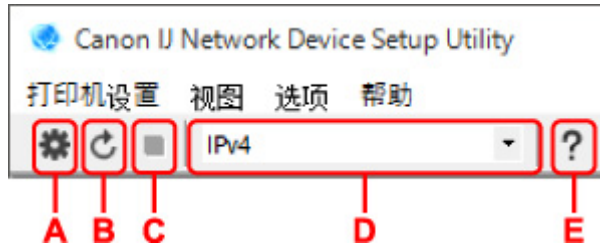
- 选项菜单

#### D: 帮助菜单

- 帮助菜单

## Canon IJ Network Device Setup Utility 屏幕工具栏上的项目

本节描述 Canon IJ Network Device Setup Utility 屏幕工具栏上的项目。



**A: 执行有线或 Wi-Fi 设置。**

### »»» 注释

- 此项目与打印机设置菜单中的网络设置...具有相同功能。

**B: 重新检测打印机。**

### »»» 注释

- 此项目与视图菜单中的更新具有相同功能。

**C: 停止检测打印机。**

### »»» 注释

- 此项目与视图菜单中的取消具有相同功能。

**D: 切换打印机列表。(IPv4、IPv6 或 USB 打印机)**

### »»» 注释

- 此项目与视图菜单中的切换视图具有相同功能。
- 也可显示连接 USB 的打印机列表。(对部分型号不可用。)在这种情况下,选择 **USB**。

**E: 显示指南。**

### »»» 注释

- 此项目与帮助菜单中的在线手册具有相同功能。



## 执行网络设置

---

- ▶ 执行/更改有线 LAN 连接(以太网电缆线)设置
- ▶ 执行/更改 Wi-Fi 设置
- ▶ 指定打印机信息

## 执行/更改有线 LAN 连接(以太网电缆线)设置

请按照以下步骤执行/更改有线 LAN 设置。

### »» 注释

- 对于部分型号，可使用 IJ Network Device Setup Utility 为连接 USB 的打印机执行网络设置。在视图菜单下的切换视图上选择 **USB** 以显示可以执行设置的打印机。

#### 1. [启动 IJ Network Device Setup Utility。](#)

2. 查看显示的信息，并选择是。

#### 3. 在显示的屏幕上选择打印机网络设置。

列出检测到的打印机。

#### 4. 选择打印机以从打印机列表中执行/更改设置。

选择连接方法显示为有线 LAN、状态显示为可用的打印机，以执行设置。

可以通过 USB 连接对状态未显示为可用的打印机执行设置。


要为连接 USB 的打印机执行设置，从工具栏上的下拉菜单中选择 **USB** 并选择打印机以执行/更改设置。

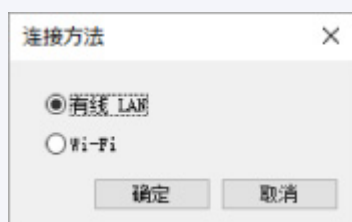
#### 5. 在打印机设置菜单上选择网络设置…。

出现确认打印机密码屏幕。

有关密码的更多信息，请参阅管理员密码。

### »» 注释

- 单击  图标可以执行/更改设置。
- 如果在步骤 4 中选择了 USB 连接的打印机，出现确认打印机密码屏幕后会出现以下屏幕



选择有线 LAN，然后单击确定。

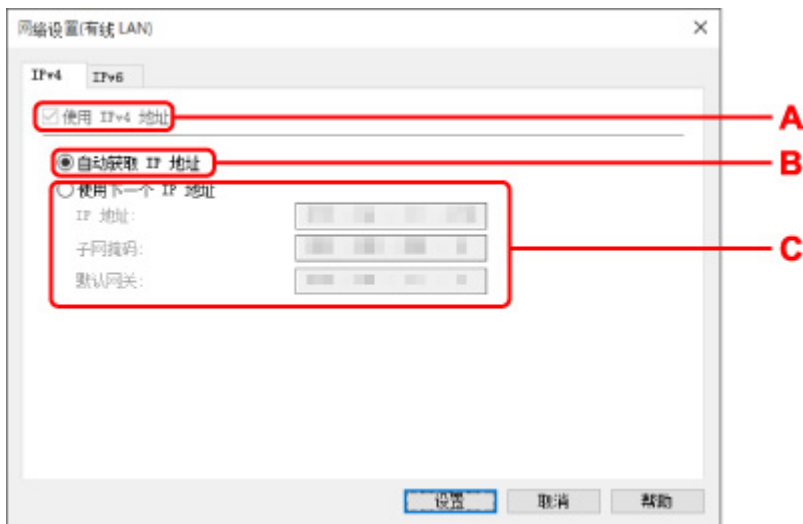
#### 6. 输入密码并单击确定。

出现网络设置屏幕。

#### 7. 执行/更改设置。

可以在 IPv4 和 IPv6 之间切换屏幕。单击选项卡以切换协议。

- IPv4 设置



**A: 使用 IPv4 地址**

始终选中。(显示为灰色状态)

**B: 自动获取 IP 地址**

选择此选项以使用由 DHCP 服务器自动指派的 IP 地址。必须在路由器上启用 DHCP 服务器功能。

**C: 使用下一个 IP 地址**

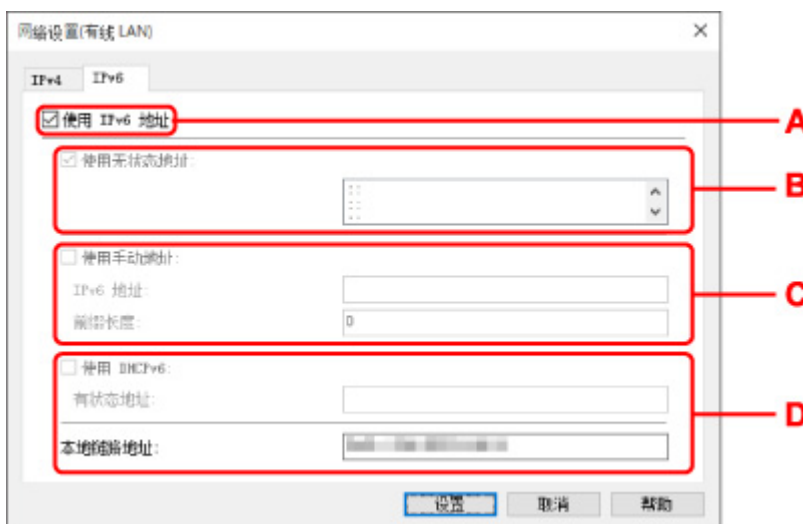
如果在使用的打印机的设置中没有可用的 DHCP 服务器功能或想要使用固定 IP 地址，选择此选项。

输入 IP 地址、子网掩码和默认网关。

• IPv6 设置

▶▶▶ 注释

- 如果从工具栏上的下拉菜单中选择 **USB**，则无法执行 IPv6 设置。



**A: 使用 IPv6 地址**

使用 IPv6 环境下的打印机时勾选。

**B: 使用无状态地址:**

使用自动指定的 IP 地址时勾选。使用兼容 IPv6 的路由器。

### »» 注释

- 根据使用的打印机，此设置项目不可用。

#### **C: 使用手动地址:**

如果在使用的打印机的设置中没有可用的 DHCP 服务器功能或想要使用固定 IP 地址，选择此选项。

输入 IP 地址和 IP 地址前缀长度。

### »» 注释

- 根据使用的打印机，此设置项目不可用。

#### **D: 使用 DHCPv6:**

获取使用 DHCPv6 的 IP 地址时选中。

### »» 注释

- 根据使用的打印机，此设置项目不可用。

**8. 单击设置。**

## 执行/更改 Wi-Fi 设置

请按照以下步骤执行/更改 Wi-Fi 设置。

### 重要事项

- 执行打印机设置前，请启用简易无线连接(无电缆线设置)。(如果更改 IP 地址则不需要。)有关详细资料，请在打印机的在线手册中搜索“NR049”，并参见显示的页面。
- 如果通过 Wi-Fi 使用打印机，出于安全考虑，强烈建议使用 WPA/WPA2 执行 Wi-Fi 网络安全设置。

### 注释

- 对于部分型号，可使用 IJ Network Device Setup Utility 为连接 USB 的打印机执行网络设置。在视图菜单下的切换视图上选择 **USB** 以显示打印机。

#### 1. [启动 IJ Network Device Setup Utility。](#)

2. 查看显示的信息，并选择是。

#### 3. 在显示的屏幕上选择打印机网络设置。

列出检测到的打印机。

#### 4. 选择打印机以从打印机列表中执行/更改设置。

选择连接方法显示为 **Wi-Fi**、状态显示为可用或需要设置的打印机，以执行设置。

可以通过 USB 连接对状态未显示为可用或需要设置的打印机执行设置。


要为连接 USB 的打印机执行设置，从工具栏上的下拉菜单中选择 **USB** 并选择打印机以执行/更改设置。

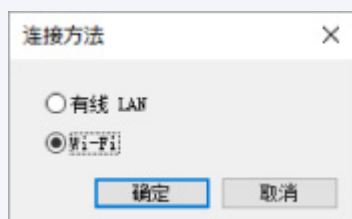
#### 5. 在打印机设置菜单上选择网络设置…。

出现确认打印机密码屏幕。

有关密码的更多信息，请参阅管理员密码。

### 注释

- 单击  图标可以执行/更改设置。
- 如果在步骤 4 中选择了 USB 连接的打印机并且所选打印机兼容有线 LAN，则出现确认打印机密码屏幕后会出现以下屏幕



选择 **Wi-Fi**，然后单击**确定**。

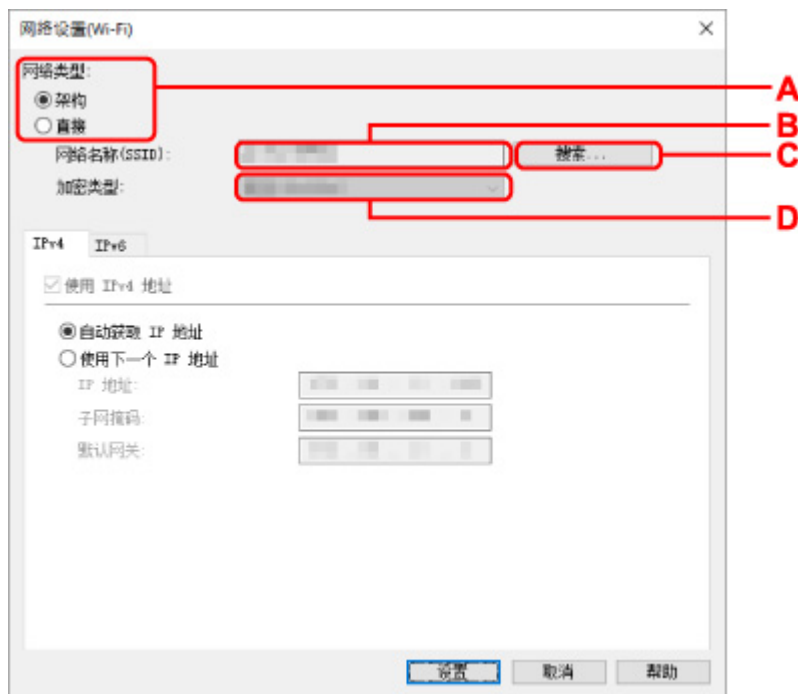
#### 6. 输入密码并单击确定。

出现**网络设置**屏幕。

## 7. 执行/更改设置。

可以在 IPv4 和 IPv6 之间切换屏幕。单击选项卡以切换协议。

- IPv4/IPv6 设置



### A: 网络类型:

选择 Wi-Fi 模式。

#### ◦ 架构

使用无线路由器将打印机连接到 Wi-Fi。

#### ◦ 直连

不使用无线路由器将打印机连接到无线通讯设备(智能手机或平板电脑)。

### ▶▶▶ 注释

- 如果选择**直接**，所有项目会显示为灰色状态并无法执行任何设置。  
此外，根据操作环境，无法从计算机连接到互联网。

### B: 网络名称(SSID):

显示当前使用的 Wi-Fi 的网络名称(SSID)。

无线直连状态下出现无线直连的网络名称(SSID)。

### C: 搜索...

显示**检测到的无线路由器**屏幕以选择要连接的无线路由器。对于已连接到计算机的无线路由器，**通讯状态**显示为**可用**。

如果从列表中选择**通讯状态**为**未连接**的无线路由器，单击**设置**会显示无线路由器的 WPA/WPA2 或 WEP 设置屏幕。

- 如果出现 WEP 详细信息屏幕
- 如果出现 WPA/WPA2 详细信息屏幕

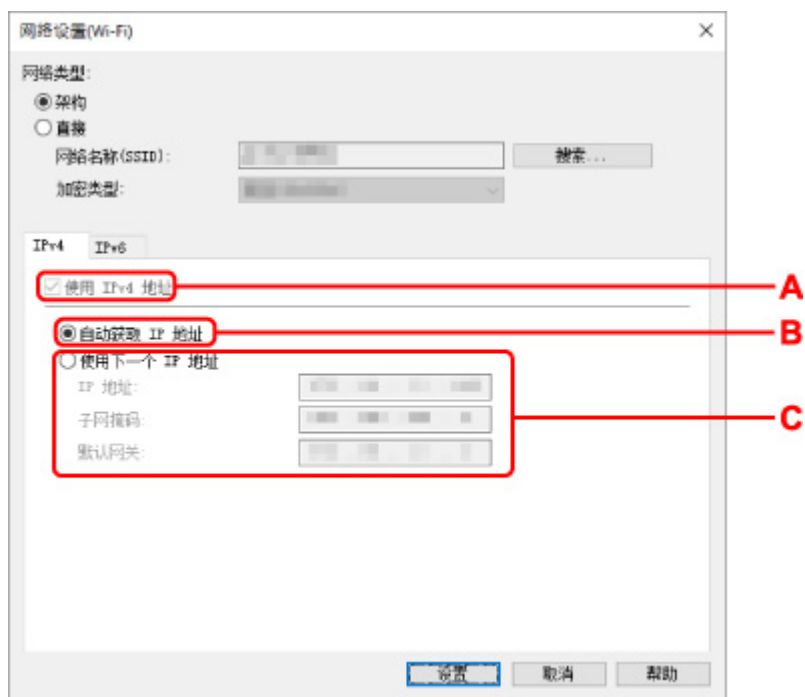
#### D: 加密类型:

显示在 Wi-Fi 上使用的加密方法。

#### • IPv4 设置

##### »» 注释

- 仅当**网络类型**:选择为**架构**时, 以下设置项目才可用。
- 如果选择**直接**, 所有项目会显示为灰色状态并无法执行任何设置。



#### A: 使用 IPv4 地址

始终选中。(显示为灰色状态)

#### B: 自动获取 IP 地址

选择此选项以使用由 DHCP 服务器自动指派的 IP 地址。必须在路由器上启用 DHCP 服务器功能。

#### C: 使用下一个 IP 地址

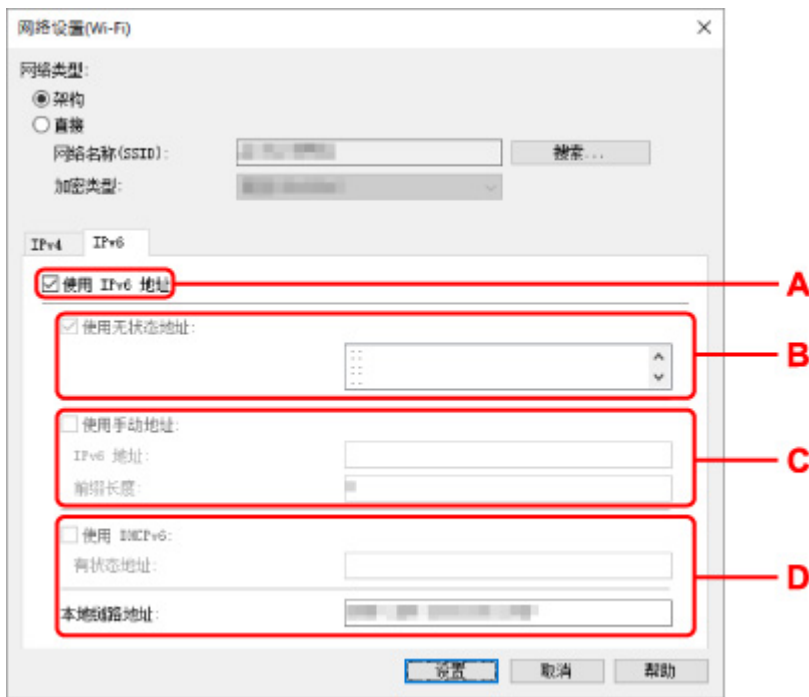
如果在使用的打印机的设置中没有可用的 DHCP 服务器功能或想要使用固定 IP 地址, 选择此选项。

输入 IP 地址、子网掩码和默认网关。

#### • IPv6 设置

##### »» 注释

- 如果从工具栏上的下拉菜单中选择 **USB**, 则无法执行 IPv6 设置。
- 仅当**网络类型**:选择为**架构**时, 以下设置项目才可用。
- 如果选择**直接**, 所有项目会显示为灰色状态并无法执行任何设置。



#### A: 使用 IPv6 地址

使用 IPv6 环境下的打印机时勾选。

#### B: 使用无状态地址:

使用自动指定的 IP 地址时勾选。使用兼容 IPv6 的路由器。

#### 注 释

- 根据使用的打印机，此设置项目不可用。

#### C: 使用手动地址:

如果在使用的打印机的设置中没有可用的 DHCP 服务器功能或想要使用固定 IP 地址，选择此选项。

输入 IP 地址和 IP 地址前缀长度。

#### 注 释

- 根据使用的打印机，此设置项目不可用。

#### D: 使用 DHCPv6:

获取使用 DHCPv6 的 IP 地址时选中。

#### 注 释

- 根据使用的打印机，此设置项目不可用。

### 8. 单击设置。



## 指定打印机信息

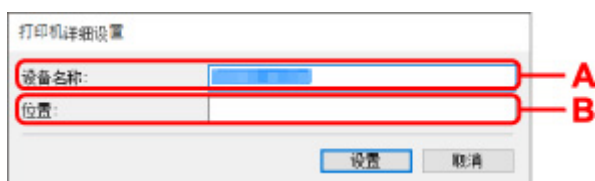
按照以下步骤指定/更改打印机位置名称或设备名称。

这些名称会出现在 **Canon IJ Network Device Setup Utility** 屏幕的**设备名称:**和**位置:**上。

### 注 释

- 如果从工具栏的下拉菜单中选择 **USB**，则此设置项目不可用。

1. [启动 IJ Network Device Setup Utility。](#)
2. 查看显示的信息，并选择**是**。
3. 在显示的屏幕上选择**打印机网络设置**。  
列出检测到的打印机。
4. 选择打印机以指定位置名称和设备名称。  
选择**状态**显示为**可用**的打印机。
5. 在**打印机设置**菜单上选择**打印机详细设置...**。  
出现**确认打印机密码**屏幕。  
有关密码的更多信息，请参阅**管理员密码**。
6. 输入密码并单击**确定**。  
出现**打印机详细设置**屏幕。
7. 执行/更改设置。



可以使用以下设置项目。

**A: 设备名称:**  
指定设备名称。

**B: 位置:**  
指定位置名称。

8. 单击**设置**。

## 不支持诊断并修复功能的型号列表

---

下列型号不支持 IJ Network Device Setup Utility 的“诊断并修复”功能。

- G4000 series
- PRO-500 series
- PRO-1000 series
- MB2100 series
- MB2700 series
- MB5100 series
- MB5400 series
- iB4000 series
- PRO-520
- PRO-540
- PRO-540S
- PRO-560
- PRO-560S
- PRO-2000
- PRO-4000
- PRO-4000S
- PRO-6000
- PRO-6000S
- TS9000 series
- TS8000 series
- TS6000 series
- TS5000 series
- MG3000 series
- E470 series

## 使用纸张、原稿、墨水盒、多用途托盘、存储卡等

---

- ▶ 装入纸张
- ▶ 放置多用途托盘
- ▶ 放置原稿
- ▶ 插入存储卡
- ▶ 更换墨水盒

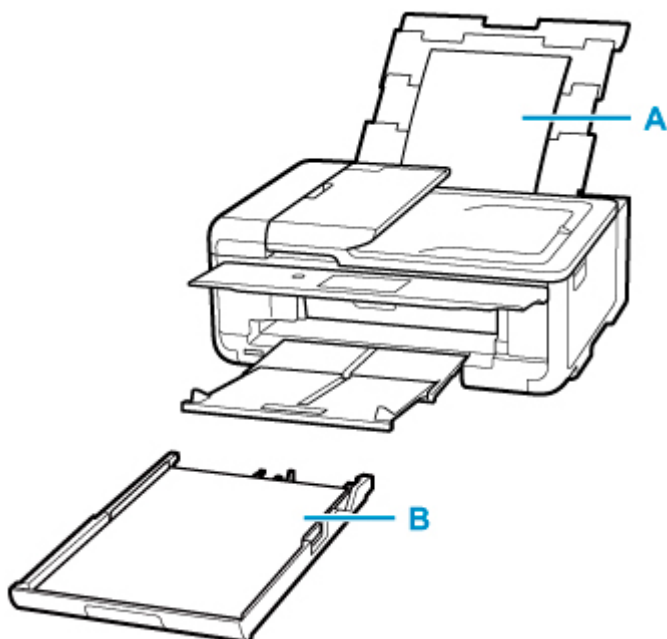
## 装入纸张

---

- ▶ 纸张来源
- ▶ 在后端托盘中装入纸张
- ▶ 在纸盒中装入纸张
- ▶ 在后端托盘中装入信封

## 纸张来源

打印机有两个用于送纸的纸张来源：后端托盘(A)和纸盒(B)。



您可以将所有支持的纸张装入后端托盘。

### ■ [支持的介质类型](#)

可在纸盒中装入 A4、B5、A5 或 Letter 尺寸的普通纸。

### ▶▶▶ [注释](#)

- 打印时，选择正确的页尺寸和介质类型。如果选择错误的页尺寸或介质类型，打印机可能从错误的纸张来源送纸或无法打印出正确的打印质量。

有关如何将纸张装入各纸张来源的详细资料，请参见以下部分。

- [在后端托盘中装入纸张](#)
- [在纸盒中装入纸张](#)
- [在后端托盘中装入信封](#)

## 在后端托盘中装入纸张

可以装入普通纸或照片纸。

也可以将信封装入后端托盘。

### ■ 在后端托盘中装入信封

### ▶▶▶ 重要事项

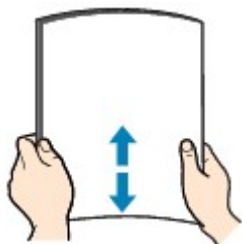
- 如果将普通纸剪切为 13 x 18 厘米(5" x 7")或更小尺寸进行试打印，可能会造成卡纸。

### ▶▶▶ 注释

- 建议使用 Canon 原装照片纸打印照片。  
有关 Canon 原装纸张的详细资料，请参见[支持的介质类型](#)。
- 可以使用普通的复印纸或 Canon Red Label Superior WOP111/Canon Océ Office Colour Paper SAT213。  
有关本打印机可以使用的页尺寸和纸张重量，请参见[支持的介质类型](#)。

### 1. 准备纸张。

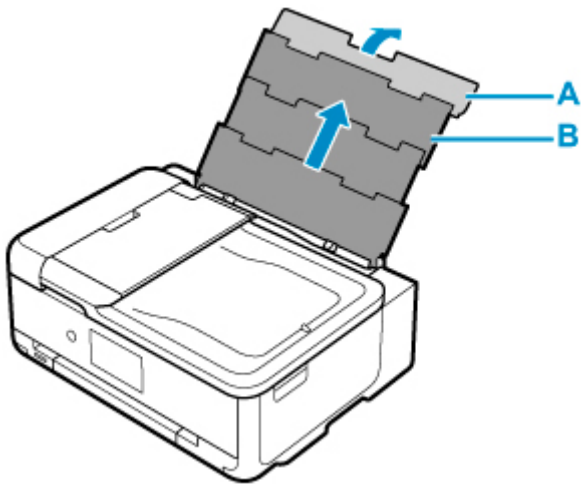
对齐纸张的边缘。如果纸张卷曲，将其平整。



### ▶▶▶ 注释

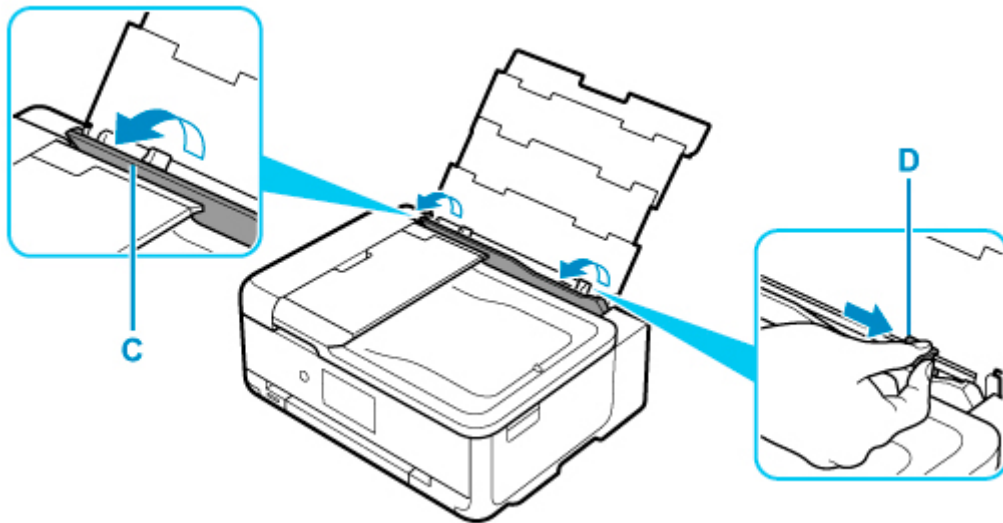
- 装入前请先将纸张的边缘完全对齐。装入纸张时没有对齐纸张边缘可能会造成卡纸。
- 如果纸张卷曲，请持着卷曲的角并轻轻地向反方向弯曲纸张，直至纸张完全平整。  
有关如何平整卷曲纸张的详细资料，请参见[纸张出现污迹/打印面有划痕](#)中的 **检查 3**。
- 使用亚高光泽照片纸 SG-201 时，即使纸张卷曲，也请按原样一次装入一张纸。如果卷曲纸张以平整纸张，可能造成纸张表面出现裂纹并降低打印质量。

### 2. 打开后端托盘盖(A)。垂直向上拉靠纸架(B)并将其向后折。

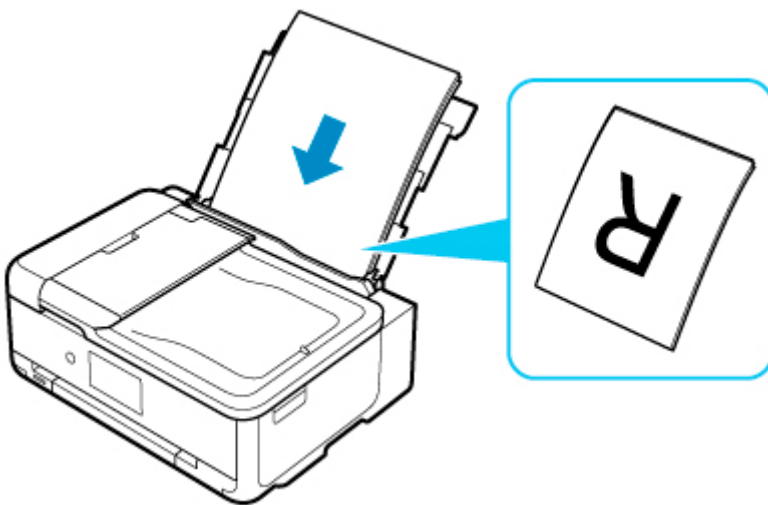


3. 打开进纸插槽盖板(C)。

4. 移动右侧纸张导片(D)，打开两个纸张导片。

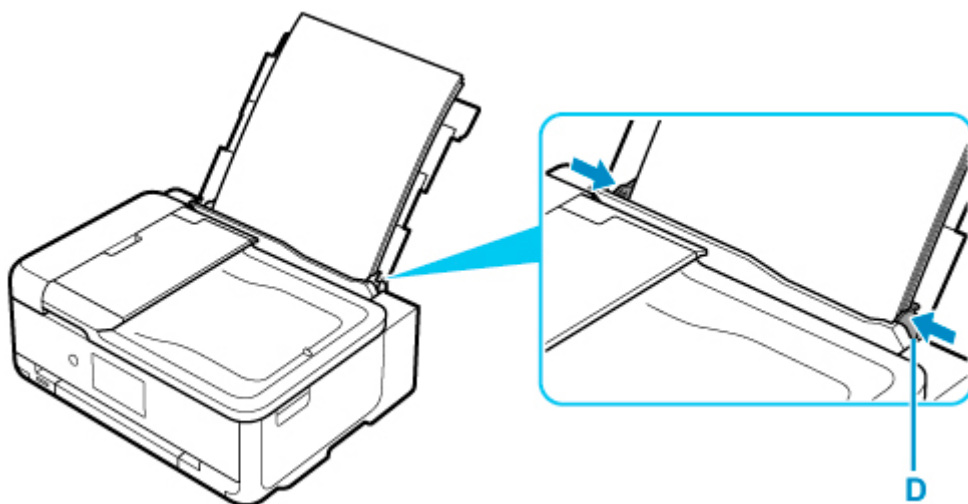


5. 将打印面向上纵向装入纸叠。



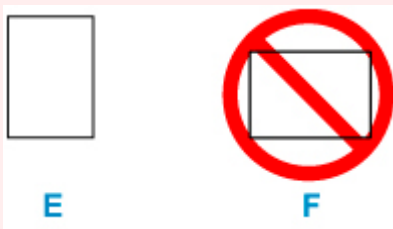
## 6. 移动右侧纸张导片(D)以对齐纸叠的两侧。

请勿过于用力移动纸张导片以紧靠纸张。否则，纸张可能无法正确地送入。



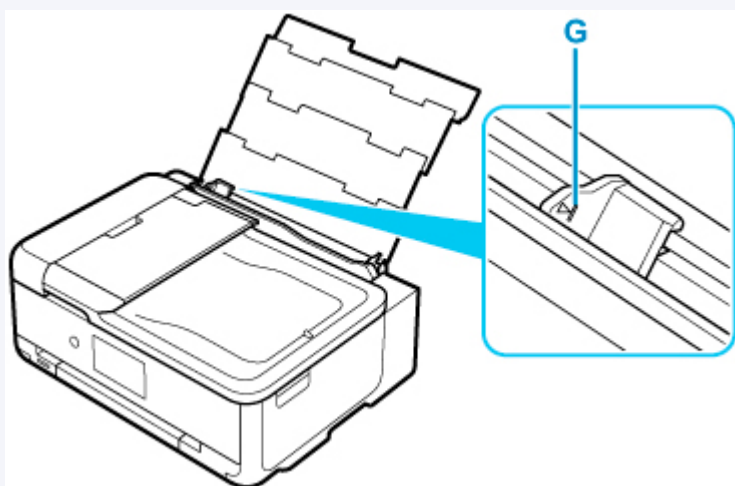
### 重要事项

- 请务必纵向(E)装入纸张。横向(F)装入纸张会造成卡纸。



### 注释

- 请勿使装入的纸张超出装入限量标记(G)。

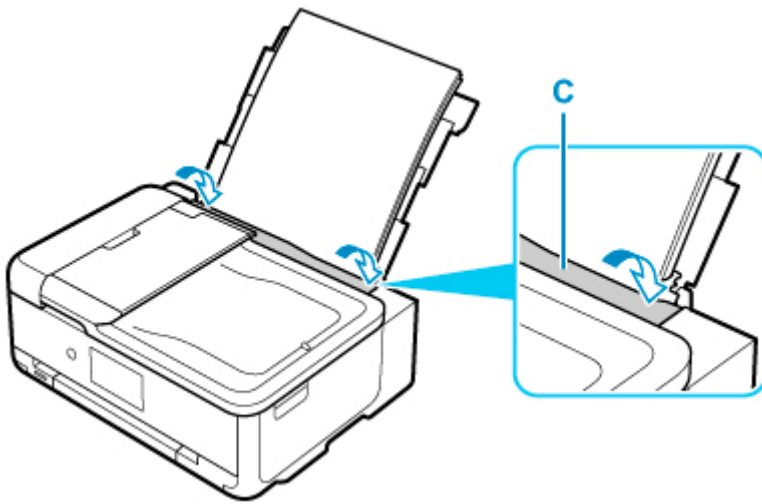


## 7. 请轻轻关闭进纸插槽盖板(C)。

### 重要事项

- 如果进纸插槽盖板打开，纸张将无法送入。务必关闭进纸插槽盖板。





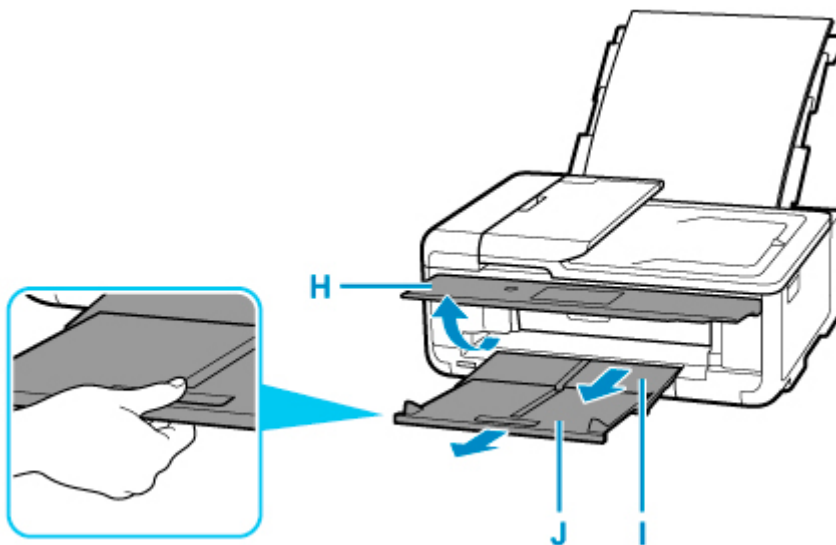
关闭进纸插槽盖板后，触摸屏上会显示后端托盘的纸张设置确认屏幕。

8. 如果触摸屏上的页尺寸和介质类型与后端托盘中装入的纸张尺寸和类型相匹配，请选择**是**。否则，选择**更改**，根据已装入纸张的尺寸和类型更改设置。



9. 打开操作面板(H)，然后拉出出纸托盘(I)和出纸支架(J)。

务必在打印前打开操作面板。如果操作面板合上，则打印机不会开始打印。



## 注 释

- 存在多种类型的纸张，如表面覆有特殊涂膜的用于打印最佳质量照片的纸张，以及适合打印文档的纸张。每一种介质类型都有特定的预置设置(如何使用墨水、如何喷出墨水或到喷嘴的距离等)，可以在该类型介质上打印出最佳图像质量。错误的纸张设置可能造成打印颜色质量欠佳，或造成打印面出现划痕。如果发现模糊不清或颜色不均匀，请提高打印质量设置并再次尝试打印。
- 为防止错误打印，本打印机具有一项检测功能，此功能检测装入后端托盘的纸张设置是否与纸张设置相匹配。打印前，根据的纸张设置进行打印设置。启用此功能时，如果这些设置不匹配，会显示错误信息以防止错误打印。显示此错误信息时，检查并修正纸张设置。

## 在纸盒中装入纸张

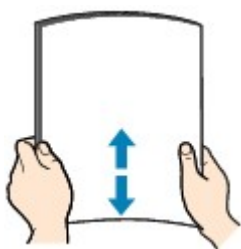
可在纸盒中装入 A4、B5、A5 或 Letter 尺寸的普通纸。

### ►► 注释

- 在纸盒中，务必仅装入普通纸。
  - 可以使用普通的复印纸或 Canon Red Label Superior WOP111/Canon Océ Office Colour Paper SAT213。
- 有关本打印机可以使用的页尺寸和纸张重量，请参见[支持的介质类型](#)。

### 1. 准备纸张。

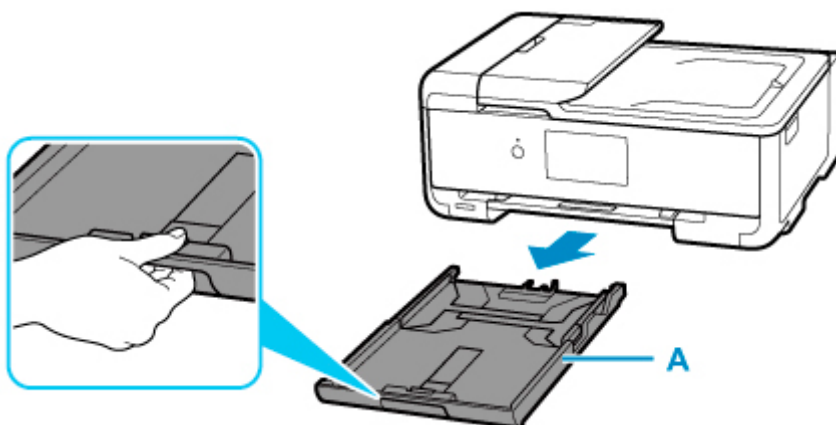
对齐纸张的边缘。如果纸张卷曲，将其平整。



### ►► 注释

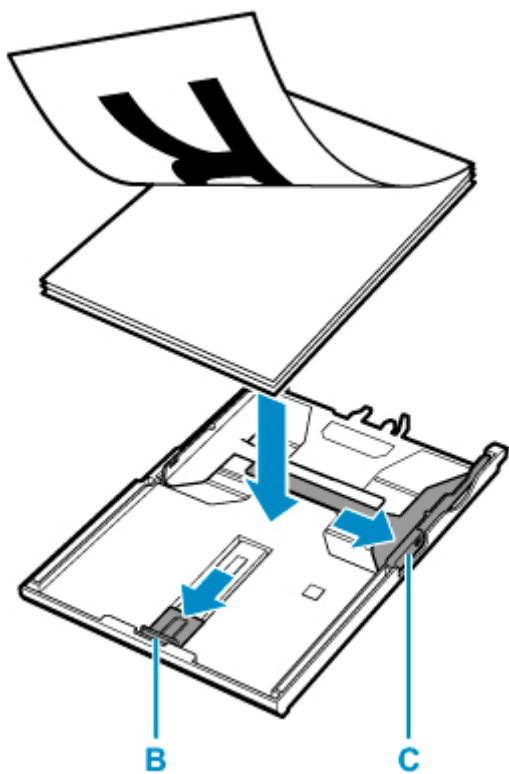
- 装入前请先将纸张的边缘完全对齐。装入纸张时没有对齐纸张边缘可能会造成卡纸。
  - 如果纸张卷曲，请 holding 着卷曲的角并轻轻地向反方向弯曲纸张，直至纸张完全平整。
- 有关如何平整卷曲纸张的详细资料，请参见[纸张出现污迹/打印面有划痕](#)中的 **检查 3**。

### 2. 从打印机中拉出纸盒(A)。



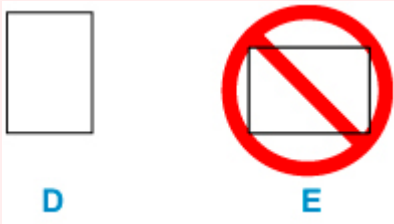
### 3. 分别移动前端和右侧纸张导片(B)和(C)打开导片。

### 4. 将打印面向下纵向装入纸叠，并放置在纸盒的中央。



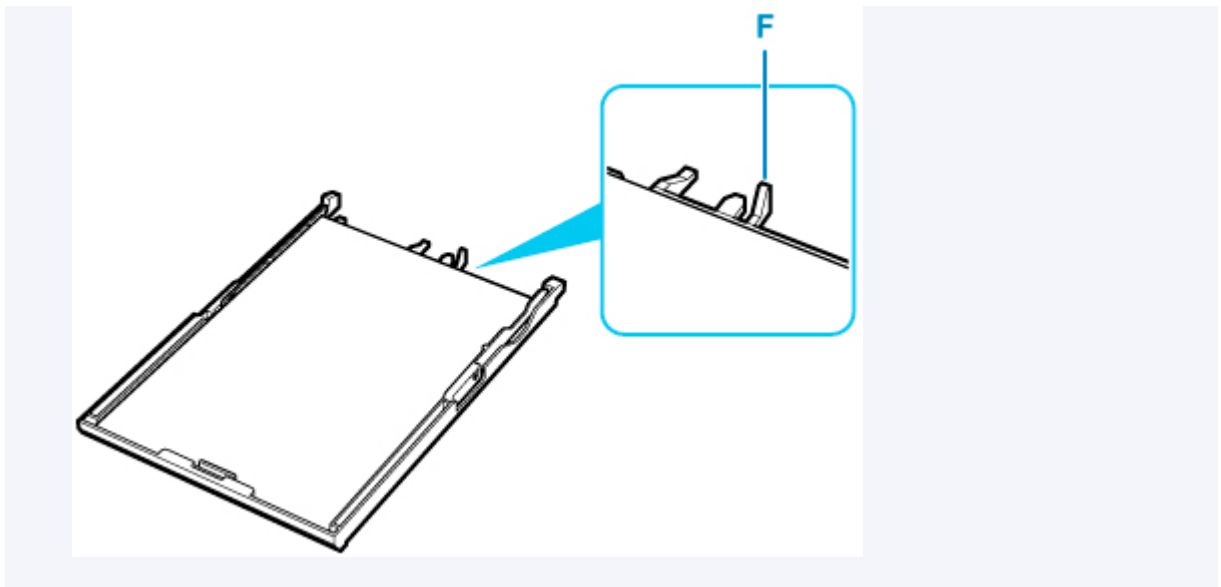
### 重要事项

- 请务必纵向(D)装入纸张。横向(E)装入纸张会造成卡纸。



### 注释

- 按下图所示将纸叠与纸盒的边缘对齐。  
如果纸叠接触到突出部分(F)，纸张可能无法正确送入。

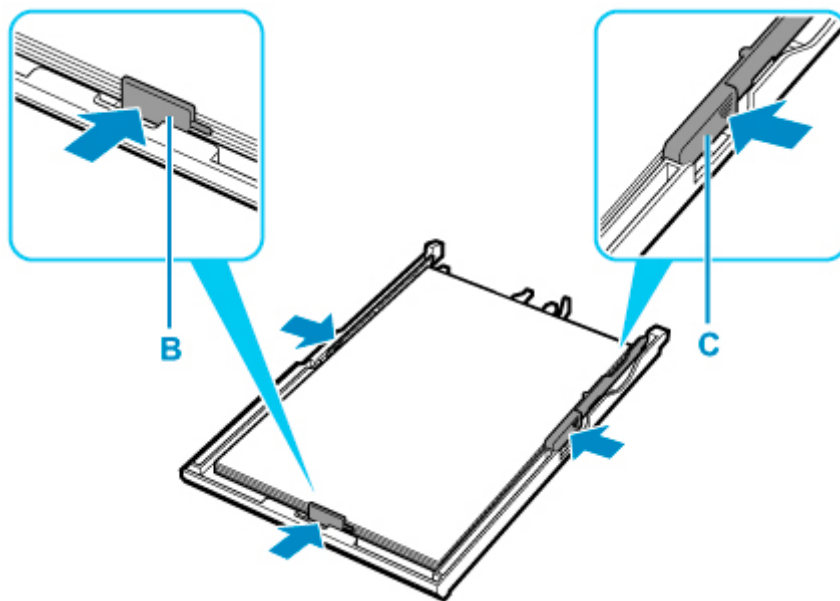


5. 移动前端纸张导片(B)以将其与纸叠对齐。

将纸张导片与其锁定位置对齐。

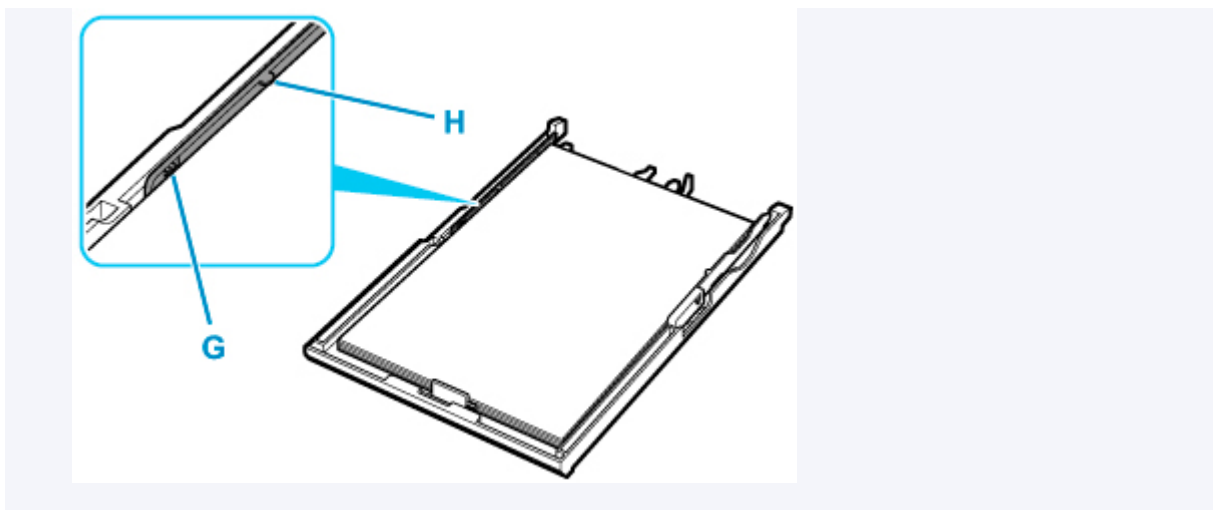
6. 移动右侧纸张导片(C)以将其与纸叠对齐。

请勿过于用力移动纸张导片以紧靠纸张。否则，纸张可能无法正确地送入。



#### 注釋

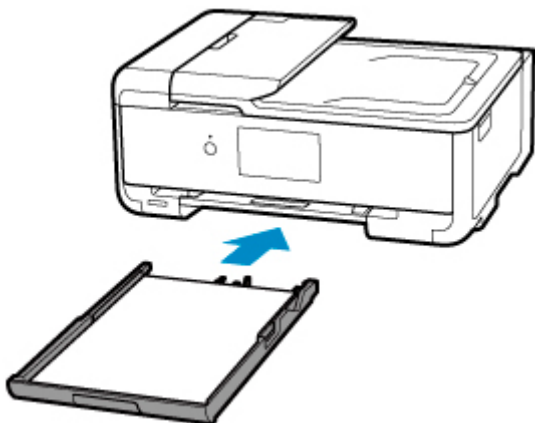
- 请勿使装入的纸张超出装入限量标记(G)。
- 使纸叠高度始终低于纸张导片的卡子(H)。



7. 将纸盒插入打印机。

将纸盒推入打印机，使其完全入位。

将纸盒插入打印机后，触摸屏上会显示纸盒的纸张设置确认屏幕。



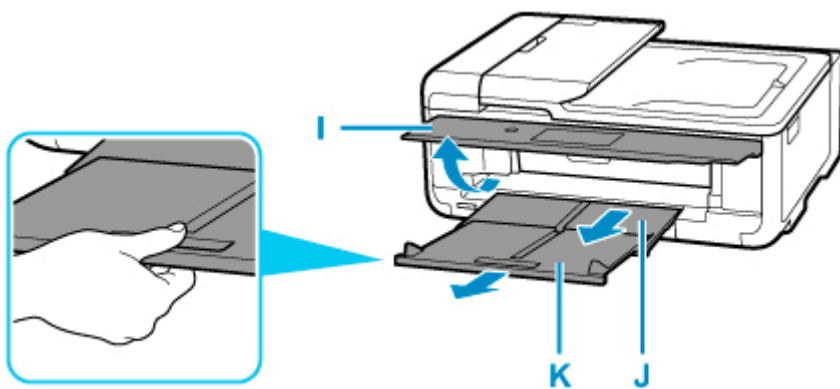
8. 如果触摸屏上的页尺寸与纸盒中装入的纸张尺寸相匹配，请选择**是**。

否则，选择**更改**，根据已装入纸张的尺寸更改设置。



9. 打开操作面板(I)，然后拉出出纸托盘(J)和出纸支架(K)。

务必在打印前打开操作面板。如果操作面板合上，则打印机不会开始打印。



### 注釋

- 为防止错误打印，本打印机具有一项检测功能，此功能检测装入纸盒的纸张设置是否与纸张设置相匹配。打印前，根据的纸张设置进行打印设置。启用此功能时，如果这些设置不匹配，会显示错误信息以防止错误打印。显示此错误信息时，检查并修正纸张设置。

## 在后端托盘中装入信封

可以在后端托盘中装入信封 DL 和信封 Com 10。

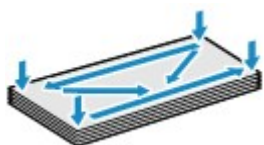
通过正确指定打印机驱动程序中的设置，会根据信封的方向自动旋转并打印地址。

### 重要事项

- 不支持从操作面板或兼容 PictBridge(Wi-Fi)的设备打印信封。
- 请勿使用以下信封。可能导致打印机内部卡纸或造成打印机故障。
  - 有凹凸花纹或表面经过处理的信封
  - 双盖舌的信封
  - 涂胶盖舌已潮湿并具有粘性的信封

### 1. 准备信封。

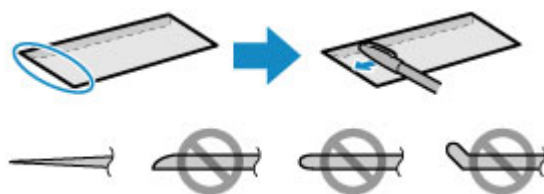
- 按下信封的四个角和边缘以平整信封。



- 如果信封卷曲，请持着对角并轻轻地向反方向弯曲信封。



- 如果信封盖舌的角折叠，请将其平整。
- 请用笔以信封插入方向压平导入边使折痕平整清晰。



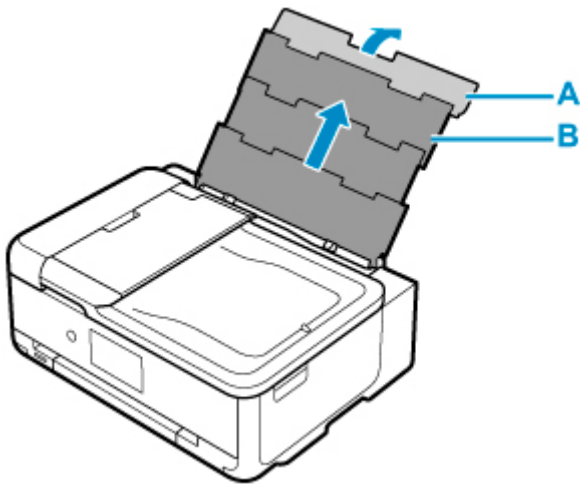
上图为信封导入边的侧视图。

### 重要事项

- 如果信封不平整或边缘未对齐，可能会导致信封卡在打印机中。确保卷曲或翘起量不超过 3 毫米 (0.12 英寸)。

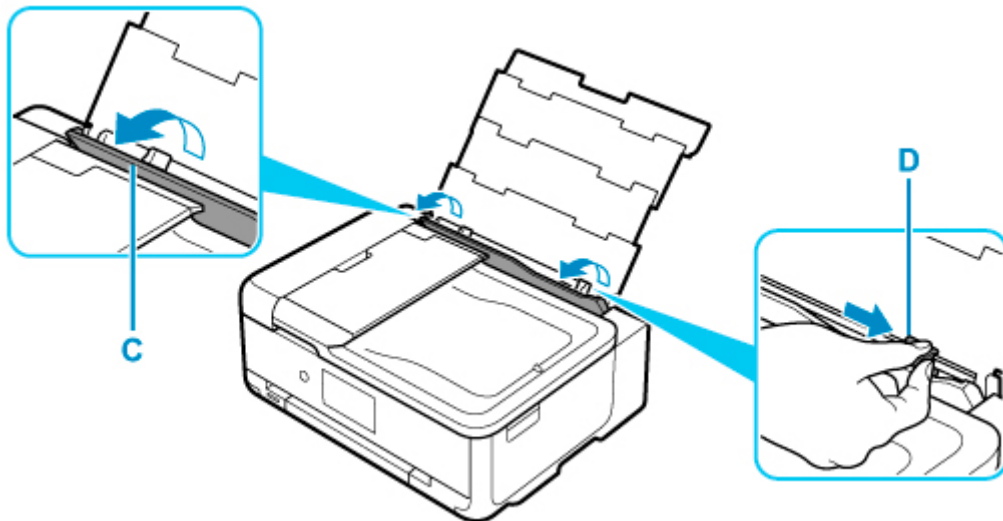
### 2. 打开后端托盘盖(A)。垂直向上拉靠纸架(B)并将其向后折。





3. 打开进纸插槽盖板(C)。

4. 移动右侧纸张导片(D)，打开两个纸张导片。



5. 将打印面向上纵向装入信封。

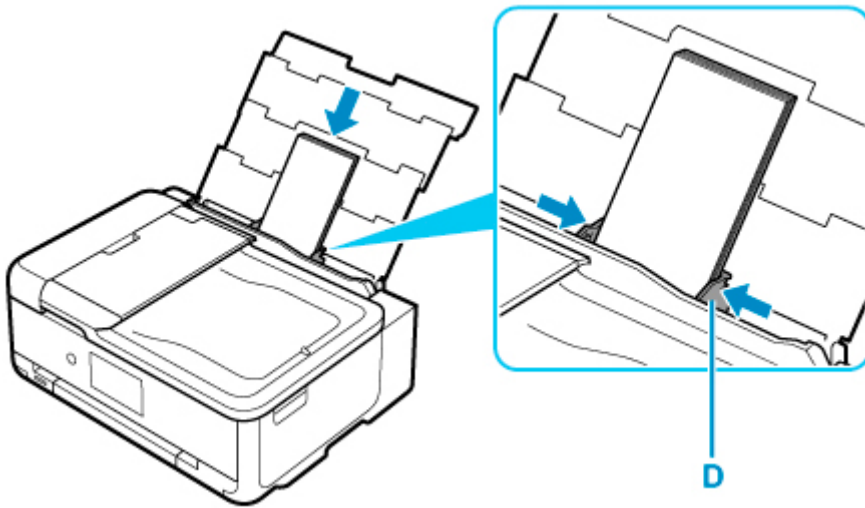
每次最多可以装入 10 个信封。

折叠信封的盖舌，将信封的地址面朝上纵向装入。



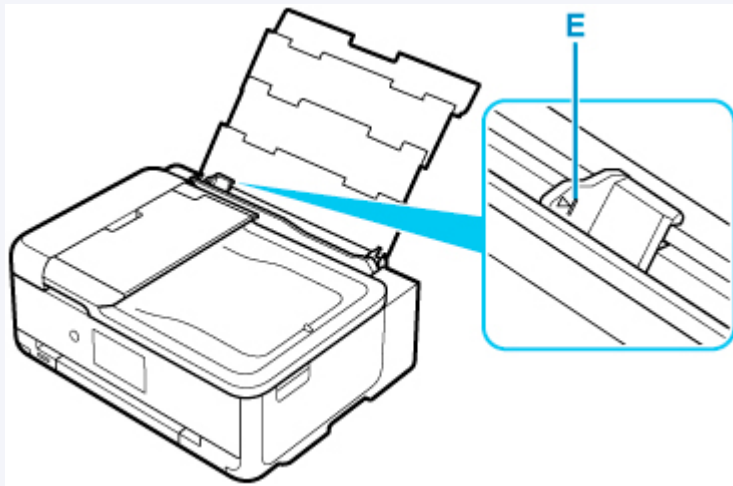
6. 移动右侧纸张导片(D)以对齐信封的两侧。

请勿过于用力移动纸张导片以紧靠信封。信封可能无法正确送入。



►► 注释

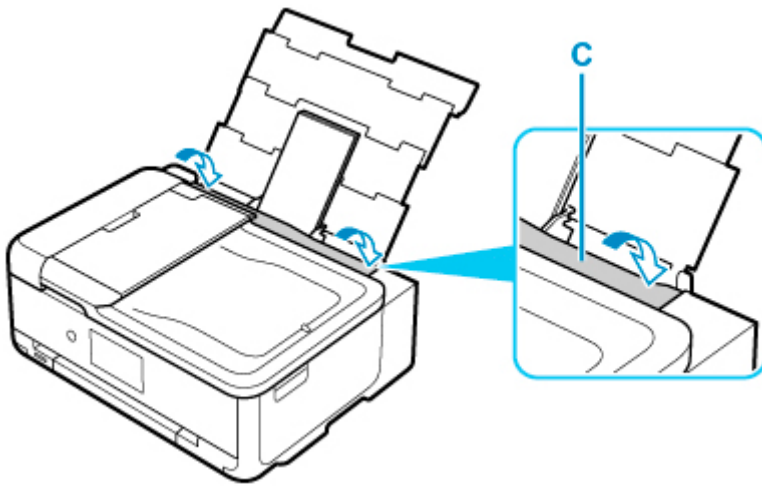
- 请勿使装入的信封超出装入限量标记(E)。



7. 请轻轻关闭进纸插槽盖板(C)。

►►► 重要事项

- 如果进纸插槽盖板打开，纸张将无法送入。务必关闭进纸插槽盖板。



关闭进纸插槽盖板后，触摸屏上会显示后端托盘的纸张设置确认屏幕。

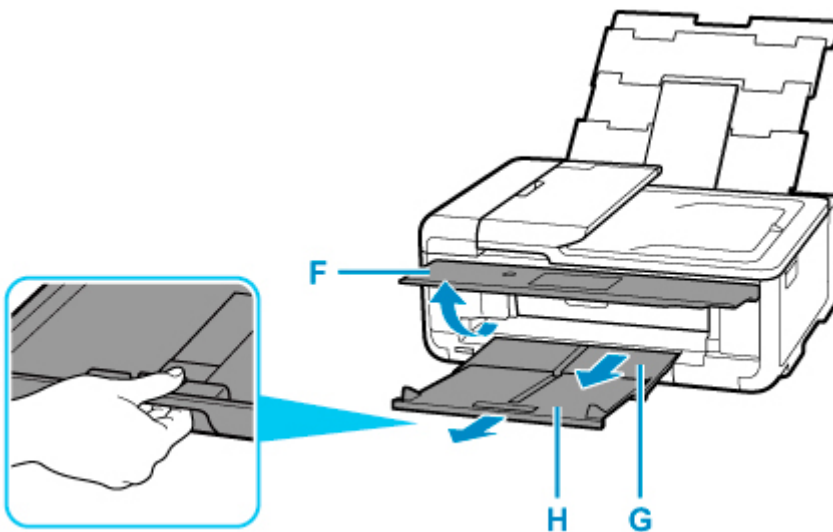
8. 如果触摸屏上显示的页尺寸和介质类型与后端托盘中装入的信封尺寸和类型相匹配，请选择**是**。

否则，选择**更改**，根据已装入信封的尺寸和类型更改设置。



9. 打开操作面板(F)，然后拉出出纸托盘(G)和出纸支架(H)。

务必在打印前打开操作面板。如果操作面板合上，则打印机不会开始打印。



## »» 注释

- 为防止错误打印，本打印机具有一项检测功能，此功能检测装入后端托盘的纸张设置是否与纸张设置相匹配。打印前，根据的纸张设置进行打印设置。启用此功能时，如果这些设置不匹配，会显示错误信息以防止错误打印。显示此错误信息时，检查并修正纸张设置。

## 放置多用途托盘

---

- ▶ 使用多用途托盘打印时的注意事项
- ▶ 放置可打印光盘
- ▶ 如何取下/安装多用途托盘

## 使用多用途托盘打印时的注意事项

### 使用多用途托盘打印的一般注意事项

- 请务必使用本打印机附带的多用途托盘。
- 在打印机运行时，请勿安装多用途托盘。
- 在打印机运行时，请勿取下多用途托盘。否则，可能会损坏打印机、多用途托盘或介质。
- 请勿弄脏多用途托盘，或划伤反射镜。打印机可能无法识别装入的介质或打印结果可能无法对齐。如果弄脏多用途托盘，请用柔软的干布将反射镜擦拭干净，小心勿划伤反射镜。
- 打印完成后，让介质打印面自然晾干。请勿使用吹风机或将介质曝露于阳光直射下以晾干墨水。请勿在墨水晾干前触摸打印面。

### 在可打印光盘上打印时的注意事项

- 将可打印光盘放入多用途托盘之前，请先清除多用途托盘中的污物。将光盘装入有污物的多用途托盘中可能会划伤光盘的刻录面。
- 请勿在不兼容喷墨打印的可打印光盘上打印。墨水将无法晾干，并可能造成光盘本身或装入光盘的DVD播放器或其他设备出现问题。
- 请勿在可打印光盘的刻录面上打印。否则将导致无法读取光盘中刻录的数据。
- 请手持可打印光盘的边缘。请勿触摸标签面(打印面)或刻录面。
- 如果使用 Easy-PhotoPrint Editor 以外的其他软件，可能会弄脏多用途托盘。

## 放置可打印光盘

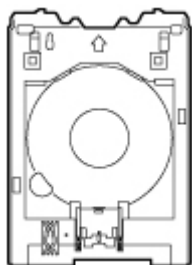
---

- ▶ 放置可打印光盘前
- ▶ 放置可打印光盘
- ▶ 取出可打印光盘

## 放置可打印光盘前

可打印光盘不同于普通光盘(BD/DVD/CD 等), 它的标签面经过了特殊处理, 或用喷墨打印机打印。  
在可打印光盘上打印时需要以下物品。

- 打印机附带的多用途托盘



多用途托盘存放在纸盒的背面。

- 12 厘米(4.72 英寸)可打印光盘



获取带有兼容喷墨打印的标签面的可打印光盘。



## 放置可打印光盘

要在可打印光盘上打印，将光盘放在附带的多用途托盘上，然后将托盘插入打印机。  
此步骤也适用于从计算机打印。

### 重要事项

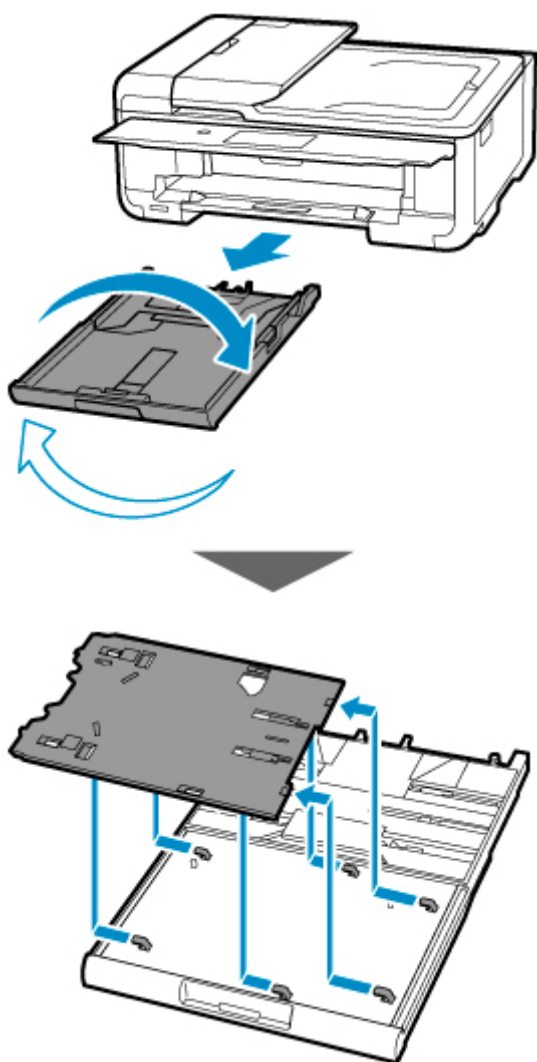
- 出现提示您装入可打印光盘的信息时，再安装多用途托盘。否则会损坏打印机。

### 注释

- 如果在测试打印纸上执行测试打印，根据纸张类型，打印机可能无法正确读取纸张尺寸，无法避免打印到纸张边缘上。打印测试纸应当用于检查预设的布局。

1. 出现提示您装入可打印光盘的信息时，从纸盒背面取下多用途托盘。

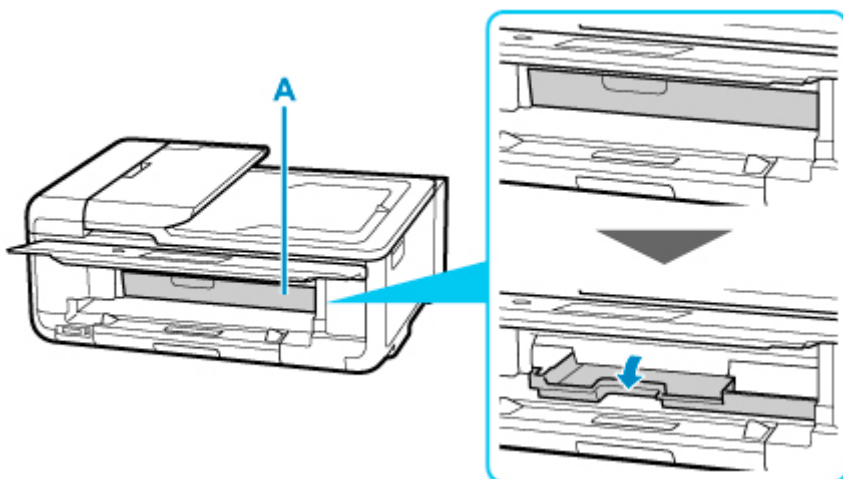
将取出的纸盒重新插入打印机。



### 注释

- 将纸盒插入打印机后，如果屏幕上出现信息，请选择是。

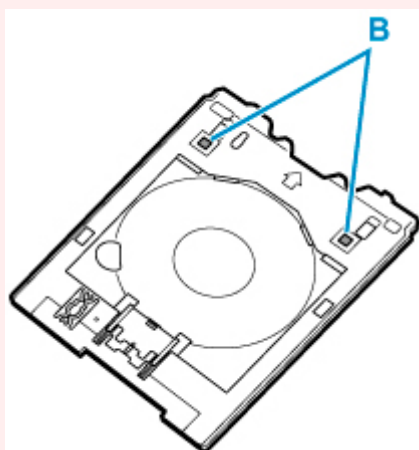
2. 打开多用途托盘导引器(A), 并将其完全按下。



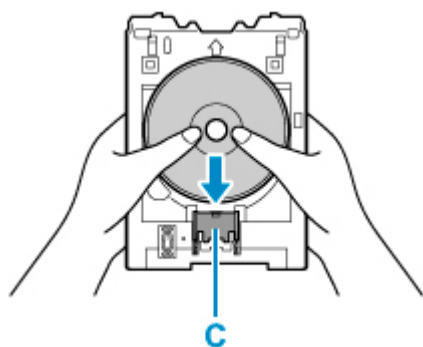
3. 将可打印光盘放置到多用途托盘上。

**重要事项**

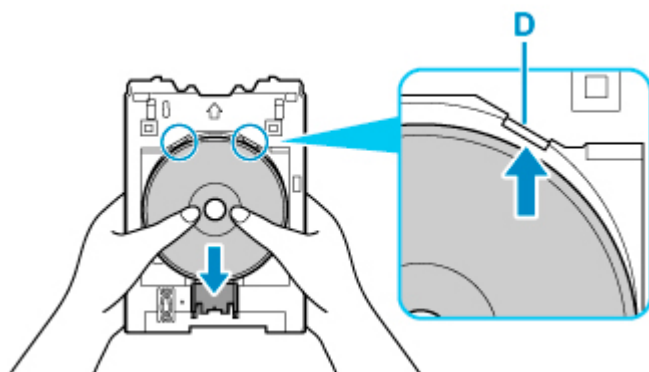
- 放置可打印光盘前, 请确认多用途托盘上没有污物。
- 将可打印光盘放在多用途托盘上时, 请勿触摸光盘的打印面或多用途托盘上的反射镜(B)。



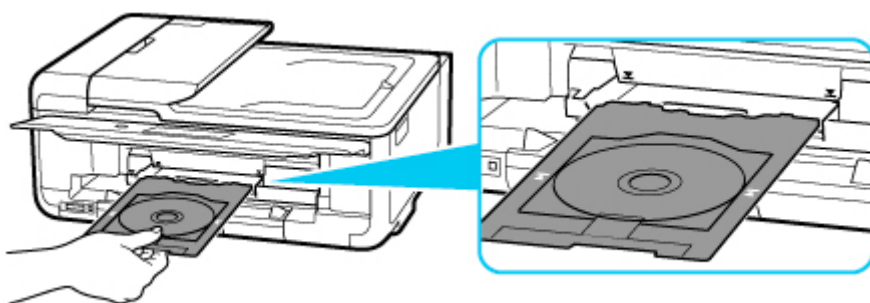
1. 将打印面向上, 紧靠底部的固定导片(C)向下按可打印光盘, 以装入可打印光盘。



2. 用可打印光盘向下按固定导片, 将可打印光盘上部插入卡槽(D)。



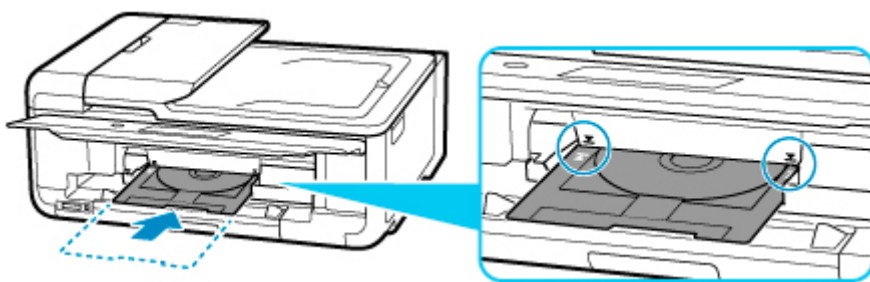
4. 将多用途托盘放置到多用途托盘导引器上。



5. 沿水平方向平直地插入多用途托盘，直至多用途托盘导引器上的箭头(▼)与多用途托盘上的箭头(▲)基本对齐。

### 重要事项

- 插入多用途托盘时请勿使其超过多用途托盘导引器上的箭头(▼)。

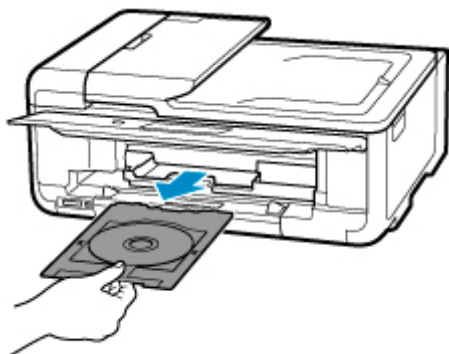


### 注释

- 经过一段时间后，多用途托盘可能会弹出。在这种情况下，按照屏幕上的说明重新放置多用途托盘。

## 取出可打印光盘

1. 拉出多用途托盘。



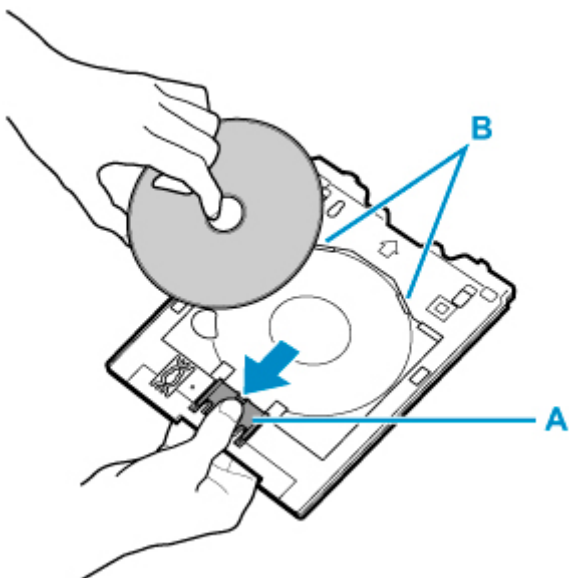
2. 按下固定导片(A)，同时从多用途托盘上的卡槽(B)取出可打印光盘，将其取下。

### 重要事项

- 从多用途托盘中取出光盘时请勿触摸打印面。

### 注释

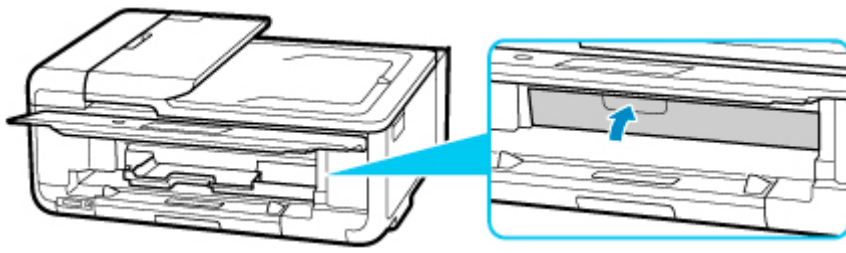
- 取出光盘前请晾干打印面。如果发现打印在多用途托盘上或可打印光盘内外直径的透明区域上，请在打印面晾干后将其擦拭干净。



3. 关闭多用途托盘导引器。

### 重要事项

- 多用途托盘导引器打开时，无法在普通打印纸上打印。请务必关闭多用途托盘导引器。



4. 将多用途托盘存放在纸盒下面。

■ ■ [如何取下/安装多用途托盘](#)

## 如何取下/安装多用途托盘

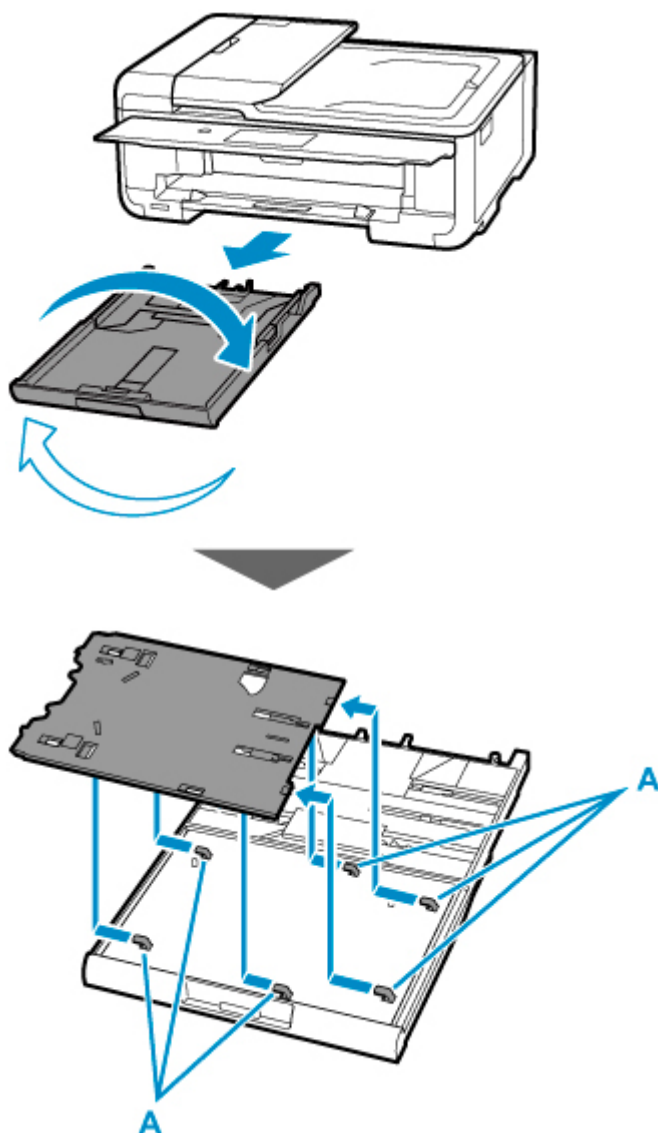
### 取下多用途托盘

1. 从打印机取出纸盒。

请务必取出所有纸张。

2. 翻转纸盒，并取出多用途托盘。

移动多用途托盘，将其从六个卡舌(A)中取出并抬起。



### 重要事项

- 请务必取下多用途托盘上的所有橙色保护胶带。

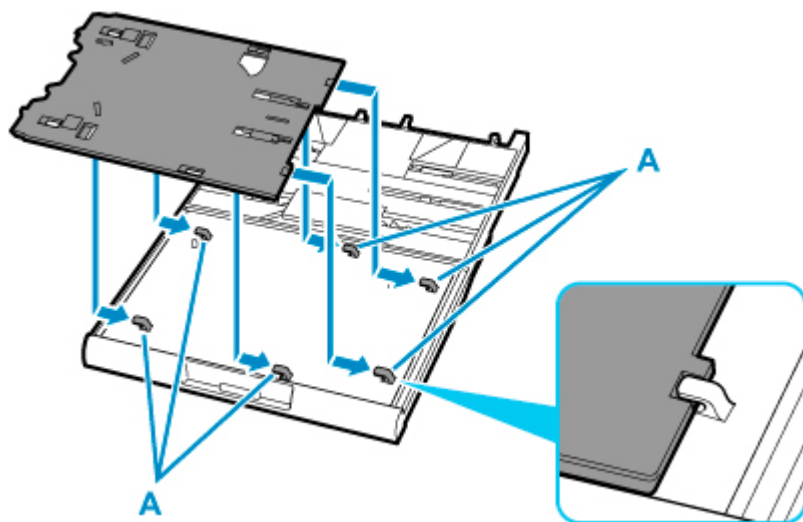
## 安装多用途托盘

### 1. 从打印机取出纸盒。

请务必取出所有纸张。

### 2. 翻转纸盒，将多用途托盘安装到其上。

翻转多用途托盘，使其下表面向上，沿下图所示方向与六个卡舌(A)对齐，然后移动并安装好多用途托盘。



### 重要事项

- 确保多用途托盘上的孔与纸盒背面的卡舌对齐，插入多用途托盘。如果多用途托盘未正确安装，则在将纸盒插入打印机时可能会损坏多用途托盘。

## 放置原稿

---

- ▶ 放置原稿的位置
- ▶ 在稿台玻璃上放置原稿
- ▶ 在 ADF(自动输稿器)中装入文档
- ▶ 根据用途放置
- ▶ 支持的原稿



## 放置原稿的位置

打印机有两个放置原稿的位置：稿台玻璃和 ADF(自动输稿器)。

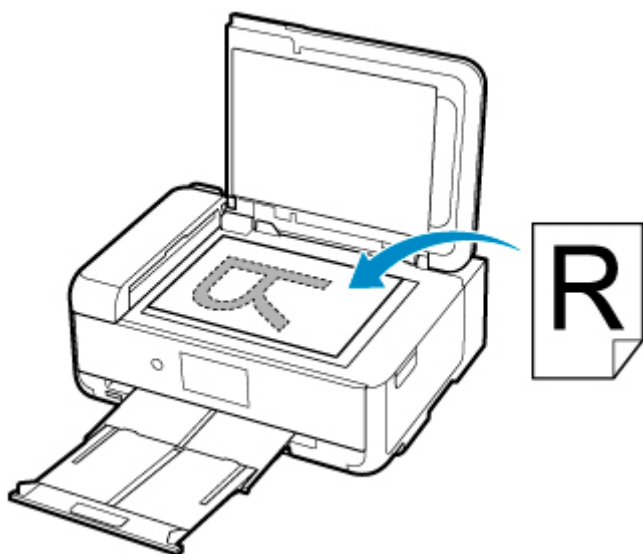
根据尺寸、类型或用途选择放置原稿的位置。

### 注 释

- 有关支持的原稿的详细资料，请参见以下内容。

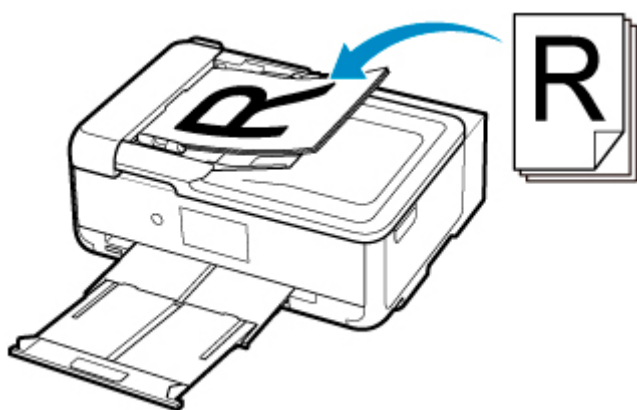
#### ■ [支持的原稿](#)

### 在稿台玻璃上放置文档、照片或书籍



### 在自动输稿器中装入两张或更多相同尺寸和厚度的文档

也可以在自动输稿器中装入一张文档。



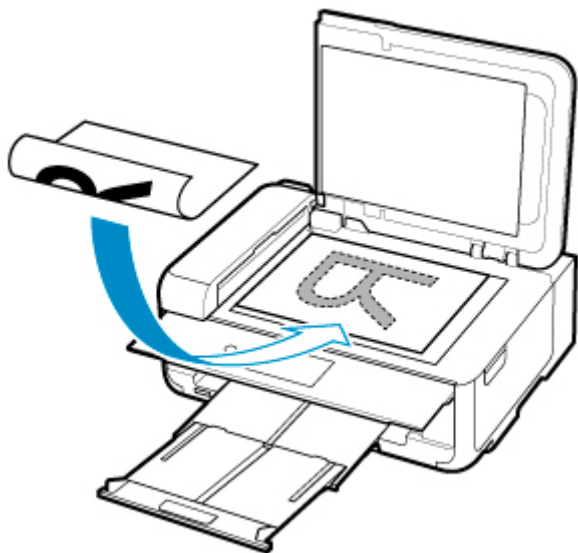
### 注 释

- 要使原稿获得最佳的扫描质量，请将其放置在稿台玻璃上。

## 在稿台玻璃上放置原稿

1. 打开文档盖板。
2. 在稿台玻璃上放置原稿，将要扫描的一面向下。

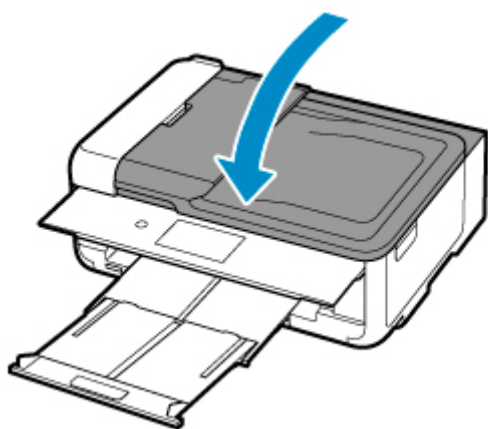
- 根据用途放置
- 支持的原稿



### 重要事项

- 将原稿放置在稿台玻璃上时，务必注意以下事项。  
否则可能造成扫描仪故障或稿台玻璃破裂。
  - 请勿将任何重量达到或超过 2.0 千克(4.4 磅)的物体放置在稿台玻璃上。
  - 请勿使稿台玻璃承受的压力达到或超过 2.0 千克(4.4 磅)，如按压原稿。

3. 轻轻地关闭文档盖板。



### 重要事项

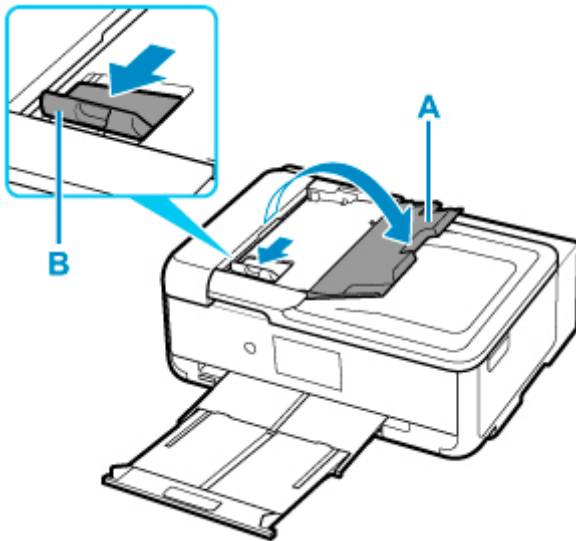
- 在稿台玻璃上放置原稿后，请务必在开始复印或扫描之前关闭文档盖板。

## 在 ADF(自动输稿器)中装入文档

### »» 注释

- 要使文档获得最佳的扫描质量，请将其放置在稿台玻璃上。

1. 确保已从稿台玻璃上取出所有原稿。
2. 打开文档托盘(A)。
3. 将纸张导片(B)移至最外侧。



4. 在文档托盘上装入文档，将要扫描的一面向上。  
将文档插入到位。

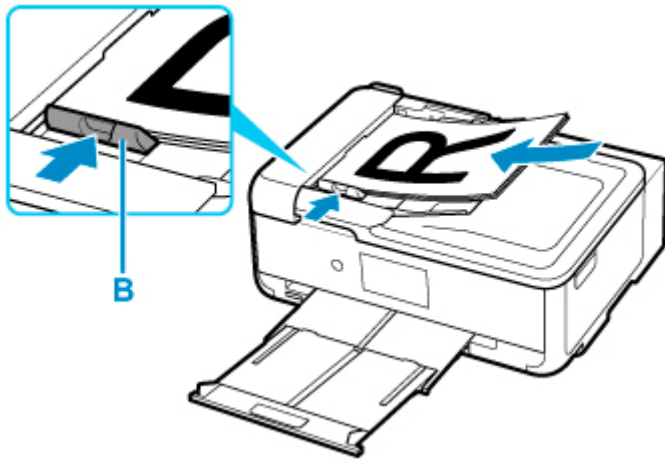
### »» 注释

- 有关支持的原稿的详细资料，请参见以下内容。

#### ■ [支持的原稿](#)

5. 调整文档导片(B)，使其适合文档的宽度。

请勿过于用力移动文档导片以紧靠文档。文档可能无法正确送入。



## 根据用途放置


根据要使用的功能将原稿放置在正确位置。如果未正确放置原稿，可能无法正确扫描。

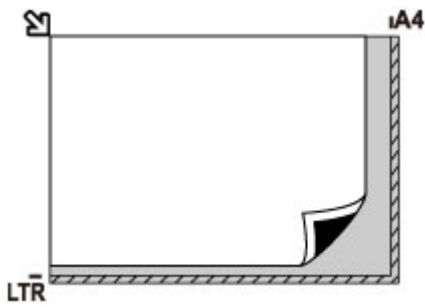
原稿	功能	如何放置
杂志、报纸和文档	<b>复印</b>	■ <a href="#">装入原稿，使其与对齐标记对齐</a>
	<b>通过自动检测原稿的类型和尺寸进行扫描</b> 如果使用操作面板进行扫描，请在扫描中将文档类型选择为自动扫描。	
	<b>通过指定标准尺寸(A4、Letter 等)扫描</b> 如果使用操作面板进行扫描，请在扫描中将文档类型选择为文档或照片，并将扫描尺寸指定为标准尺寸(A4、Letter 等)以扫描原稿。	
照片、明信片、名片和光盘 (BD/DVD/CD)	<b>仅扫描一份原稿</b> 如果使用操作面板进行扫描，请执行以下操作。 <ul style="list-style-type: none"><li>请在扫描中将文档类型选择为自动扫描。</li><li>请在扫描中为文档类型选择照片，为扫描尺寸指定自动扫描以扫描原稿。</li></ul>	■ <a href="#">在稿台玻璃中央仅装入一张原稿</a>
	<b>扫描两份或多份原稿</b> 如果使用操作面板进行扫描，请执行以下操作。 <ul style="list-style-type: none"><li>请在扫描中将文档类型选择为自动扫描。</li><li>请在扫描中为文档类型选择照片，为扫描尺寸指定自动多项扫描以扫描两份或更多份原稿。</li></ul>	■ <a href="#">在稿台玻璃上装入两张或更多原稿</a>

### 注 释

- 有关如何从计算机扫描以及如何放置原稿的详细资料，请参见以下内容。
  - 对于 Windows：
    - [从计算机扫描\(Windows\)](#)
  - 对于 macOS：
    - [从计算机扫描\(macOS\)](#)

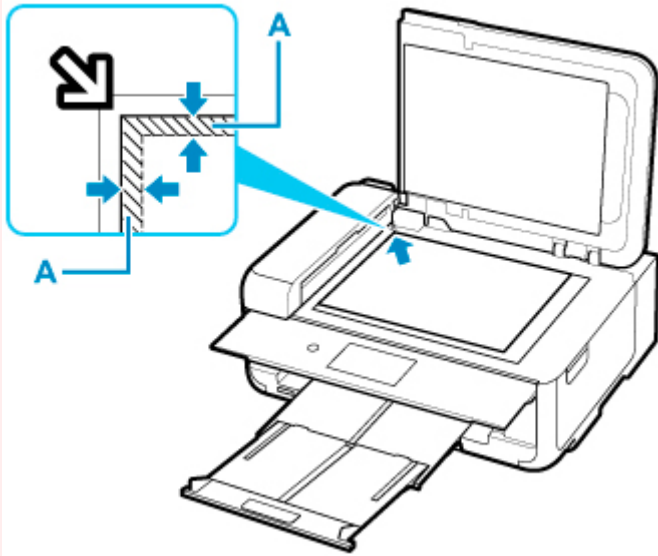
## 放置要与对齐标记 对齐的原稿

将原稿要扫描的一面向下放置在稿台玻璃上并使其与对齐标记  对齐。无法扫描放置在斜纹区的部分。



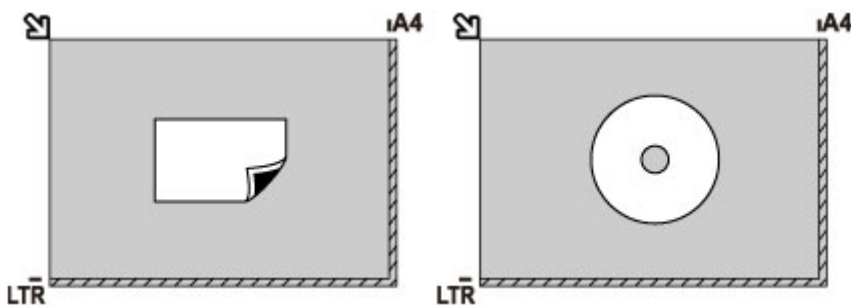
### 重要事项

- 打印机无法扫描条纹区域(A)[距离稿台玻璃边缘 1 毫米(0.04 英寸)的位置]。



### 在稿台玻璃中央仅装入一张原稿

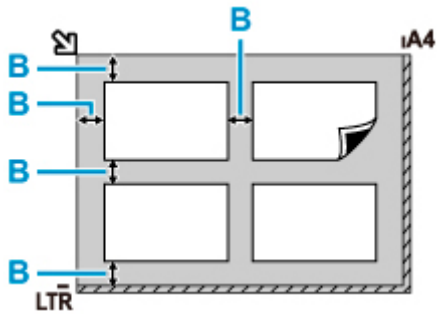
将原稿要扫描的一面向下放置，在稿台玻璃的边缘(斜纹区)留有 1 厘米(0.40 英寸)或更多空间。无法扫描放置在斜纹区的部分。



### 在稿台玻璃上装入两张或更多原稿

将要扫描的一面向下放置文档。允许稿台玻璃边缘(斜纹区)与原稿以及原稿与原稿之间留有 1 厘米(0.40 英寸)或更大的空间。无法扫描放置在斜纹区的部分。

最多可以放置 12 个项目。



B: 大于 1 厘米(0.40 英寸)

### ►► 注释

- 倾斜修正功能会自动校正最大约 10 度倾斜放置的原稿。无法修正长边为 180 毫米(7.1 英寸)或更长尺寸的倾斜照片。
- 可能无法正确扫描非长方形或形状不规则的照片(如被裁剪的照片)。

## 支持的原稿

### 稿台玻璃

项目	详细信息
原稿类型	<ul style="list-style-type: none"><li>• 文本文档、杂志或报纸</li><li>• 打印的照片、明信片、名片或光盘(BD/DVD/CD 等)</li><li>• 不适合自动输稿器的文档</li></ul>
尺寸(宽度 x 高度)	最大 216 x 297 毫米(8.5 x 11.7 英寸)
数量	一张或多张*
厚度	最大 5 毫米(0.2 英寸)

\* 根据所选的功能，可在稿台玻璃上放置两张或更多原稿。

#### ■ 根据用途放置

### 在 ADF(自动输稿器)内

项目	详细信息
原稿类型	具有相同尺寸、厚度和重量的多页普通纸文档
尺寸	A4、Letter、Legal 双面复印、2 合 1/4 合 1 复印或书册布局复印：仅 A4/Letter
数量	<ul style="list-style-type: none"><li>• A4/Letter：最多 20 张[75g /m<sup>2</sup>(20 磅)的纸张]，高度不超过 2 毫米(0.08 英寸)</li><li>• Legal：最多 5 张[75g /m<sup>2</sup>(20 磅)的纸张]，高度不超过 0.5 毫米(0.02 英寸)</li></ul>
厚度	0.07 到 0.13 毫米(0.003 到 0.005 英寸)
重量	60 到 95g /m <sup>2</sup> (16.0 到 25.3 磅)

#### ▶▶▶ 注释

- 在放置前请确保文档上的任何液体，例如胶水、墨水或修正液已晾干。  
即使胶水已晾干，也不要将带胶水的文档放置到自动输稿器中，否则可能会造成卡纸。
- 请在送入文档前取下所有钉书钉、纸夹或其他固定物。
- 将 Legal 尺寸的文档装入到自动输稿器中。
- 不要将这些文档放置到自动输稿器中，否则可能会造成卡纸。
  - 皱褶的文档
  - 卷曲的文档
  - 撕裂的文档
  - 带孔的文档
  - 涂有胶水的文档
  - 带有即时贴的文档



- 使用复写纸张的文档
- 使用覆膜纸的文档
- 使用薄光泽纸或其他薄纸的文档
- 照片或过厚的文档

## 插入存储卡

---

- ▶ 插入存储卡之前
- ▶ 插入存储卡
- ▶ 取出存储卡

## 插入存储卡之前

打印机兼容以下存储卡类型和图像数据。

### 重要事项

- 如果无法保证用于拍摄和保存照片的存储卡类型在兼容 PictBridge(Wi-Fi)的设备上正常工作，则图像数据可能在打印机上无法读取或被损坏。有关兼容 PictBridge(Wi-Fi)的设备支持的存储卡信息，请参阅兼容 PictBridge(Wi-Fi)的设备附带的说明手册。
- 使用兼容相机文件系统设计规则(兼容 Exif 2.2/2.21/2.3)和 TIFF(兼容 Exif 2.2/2.21/2.3)的数码相机格式化存储卡。如果在计算机上格式化存储卡，则该存储卡可能与打印机不兼容。

### 不需要存储卡适配器的存储卡

- SD Secure Digital 存储卡、SDHC 存储卡、SDXC 存储卡



### 需要存储卡适配器的存储卡

将存储卡插入存储卡插槽之前务必将其安装到专用适配器。

- miniSD 卡、miniSDHC 卡

使用专用“SD 卡适配器”。



- microSD 卡、microSDHC 卡、microSDXC 卡

使用专用“SD 卡适配器”。



### 重要事项

- 如果下面某一存储卡未使用存储卡适配器插入，则可能无法取出该存储卡。

■ 无法取出存储卡

### 可打印图像数据

- 本打印机支持使用兼容相机文件系统设计规则(兼容 Exif 2.2/2.21/2.3)和 TIFF(兼容 Exif 2.2/2.21/2.3)的数码相机拍摄的图像。无法打印其他图像或影像类型，如 RAW 图像。
- 将文档类型设置为照片并将格式设置为 JPEG(文件扩展名“.jpg”)时，打印机才接收打印机扫描以及保存的图像。

## 注釋

- 本设备含有 Microsoft 授权的 exFAT 技术。

## 插入存储卡

### 重要事项

- 将存储卡插入存储卡插槽时，**存取**指示灯亮起。**存取**指示灯闪烁时，说明打印机正在存取存储卡。在这种情况下，请勿触摸存储卡插槽周围的区域。

### 注释

- 将读/写属性设置为从 **USB 连接计算机可写** 时，无法使用打印机的操作面板从存储卡打印图像数据。将存储卡插槽用作计算机的存储卡驱动器后，取出存储卡，在**设备设置**中选择**其他设备设置**，然后将**读/写属性**设置为**从计算机不可写**。

#### ■ 将存储卡插槽设置为计算机的存储卡驱动器

- 如果使用计算机编辑或增强保存在存储卡中的照片，务必从计算机打印照片。如果使用操作面板，则可能不会正确打印照片。

### 1. 准备存储卡。

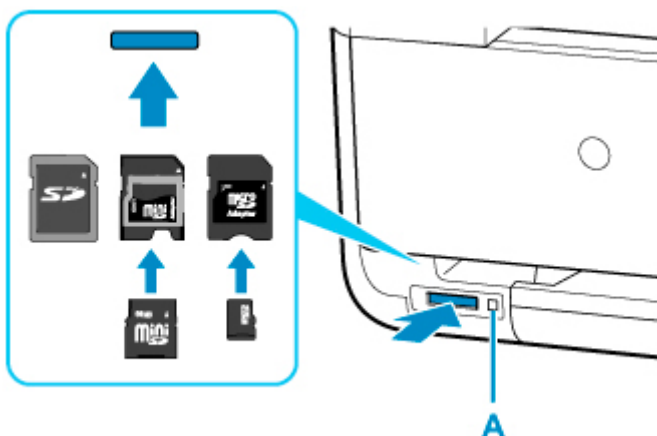
如果存储卡需要专用适配器，请安装专用存储卡适配器。

#### ■ [插入存储卡之前](#)

### 2. 将存储卡插入存储卡插槽。

将存储卡平直地插入存储卡插槽，带有标签的一面朝上。

存储卡正确插入时，**存取**指示灯(A)将亮起。



\* 将以下类型的存储卡插入存储卡插槽之前务必将其安装到存储卡适配器。

- miniSD 卡、miniSDHC 卡
- microSD 卡、microSDHC 卡、microSDXC 卡

### 重要事项

- 存储卡的一部分将会露出存储卡插槽，请勿再继续用力将其插入槽中。这样做会损坏打印机或存储卡。

- 将存储卡插入存储卡插槽前，请确保存储卡的方向正确。如果以不正确的方向用力将存储卡插入存储卡插槽，会损坏存储卡或打印机。

## 取出存储卡

### 重要事项

- 如果将存储卡插槽用作计算机的存储卡驱动器，则从打印机实际取出存储卡之前，必须在计算机上执行“安全删除”操作。
  - 将存储卡插槽设置为计算机的存储卡驱动器

### 1. 确保存取指示灯亮起，并取出存储卡。

捏住存储卡突出部分并将其平直地从打印机中取出。

### 重要事项

- 请勿在**存取**指示灯闪烁时取出存储卡。打印机从存储卡读取数据或向存储卡写入数据时，**存取**指示灯闪烁。如果在**存取**指示灯闪烁时取出存储卡或关闭电源，会损坏保存在存储卡中的数据。

## 更换墨水盒

---

- ▶ 更换墨水盒
- ▶ 在触摸屏上检查墨水状态
- ▶ 墨水提示



## 更换墨水盒

当出现剩余墨水警告或错误时，触摸屏上将出现提示错误的信息。在这种状态下，打印机无法进行打印或扫描。根据信息采取适当措施。

### ■ 发生错误

### ▶▶▶ 注释

- 如果在墨水量充足的状态下打印结果变得暗淡或出现白色条纹，请参见[维护步骤](#)。
- 有关处理墨水盒的注意事项，请参见[墨水盒注意事项](#)。

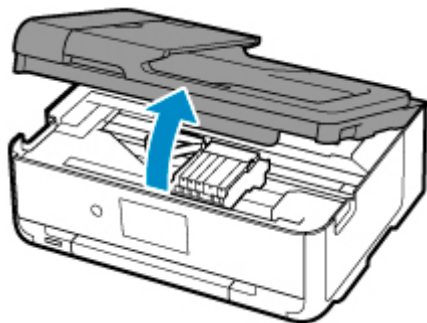
## 更换步骤

需要更换墨水盒时，请按照以下步骤操作。

### 1. [确认打印机是否已开启。](#)

### 2. 打开扫描单元/机盖。

打印头固定器移至更换位置。



### ⚠ 注意

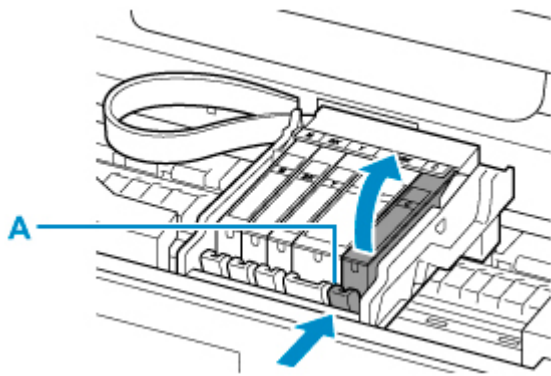
- 请勿捏着打印头固定器强行将其停止或移动。打印头固定器完全停止之前，请勿触摸。

### ▶▶▶ 重要事项

- 请勿触摸打印机内部的金属部件或其他部件。
- 如果扫描单元/机盖打开的时间超过 10 分钟，打印头固定器会移到右侧。在这种情况下，请关闭并重新打开扫描单元/机盖。

### 3. 取出墨水已用完的墨水盒。

推动手柄(A)并抬起墨水盒将其取出。



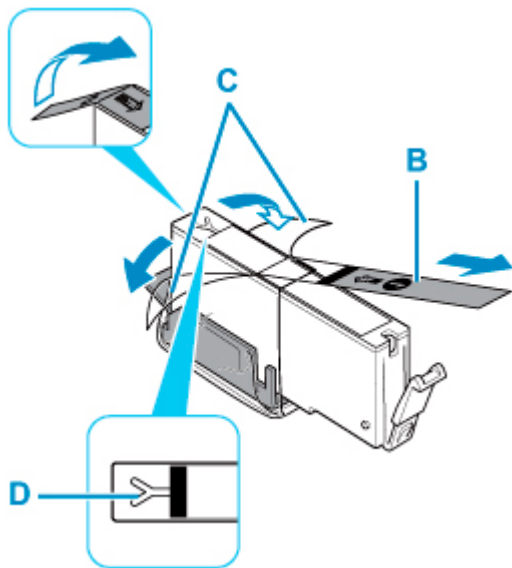
### 重要事项

- 请勿触摸墨水盒以外的其他部件。
- 小心处理墨水盒，以免弄脏衣物或四周。
- 请根据当地处理耗材的法律和法规，弃置空墨水盒。

### 注释

- 请勿同时取出两个或更多墨水盒。更换两个或更多墨水盒时，请务必逐个更换墨水盒。

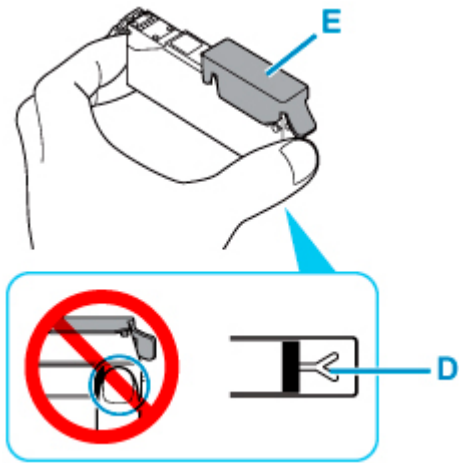
4. 从包装中取出新的墨水盒，完全取下橙色胶带(B)，然后完全取下保护薄膜(C)。



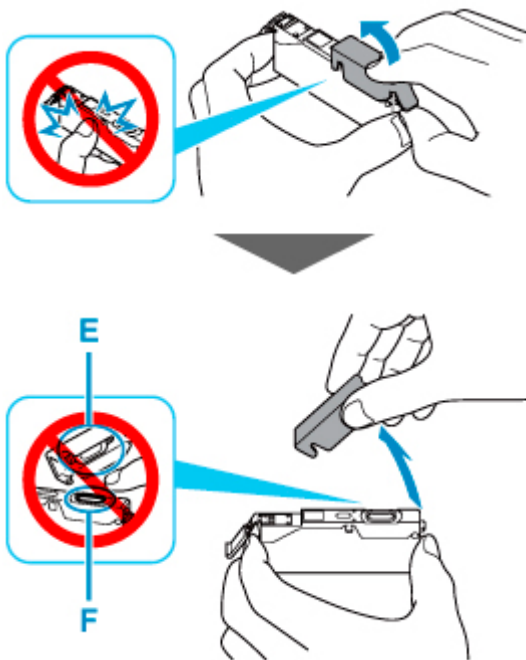
### 重要事项

- 小心处理墨水盒。请勿将其掉落或向其施加过大的压力。
- 如果橙色胶带仍留在 Y 形气孔(D)上，墨水可能会溅出或打印机可能无法正确打印。

5. 使橙色保护盖(E)朝上，握住墨水盒，同时注意不要阻塞 Y 形气孔(D)。



6. 抬起橙色保护盖(E)上的卡子以将其轻轻取下。

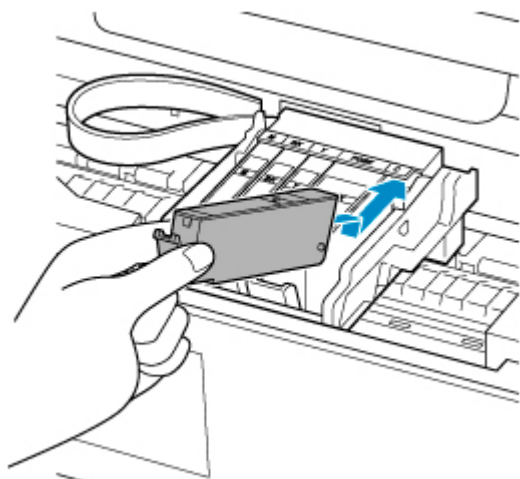


### 重要事项

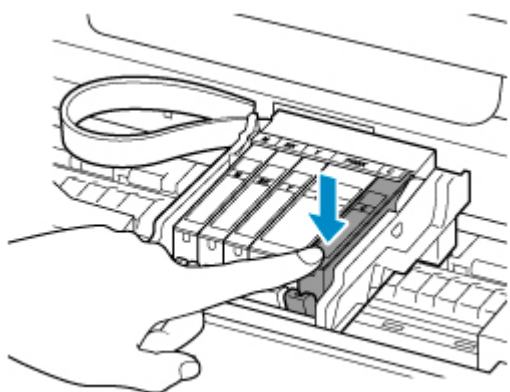
- 请勿按压墨水盒的侧面。如果在 Y 形气孔(D)阻塞的情况下按压墨水盒的侧面，墨水可能会溅出。
- 请勿触摸橙色保护盖(E)的内侧或裸露的墨水端口(F)。如果触摸这些区域，墨水可能会弄脏双手。
- 取下保护盖后，请勿将保护盖(E)重新盖上。请根据当地处理耗用品的法律和法规将其弃置。

7. 将墨水盒的前端倾斜地插入打印头。

确保墨水盒的位置与标签一致。



8. 按墨水盒上部直至墨水盒稳固地锁定到位。

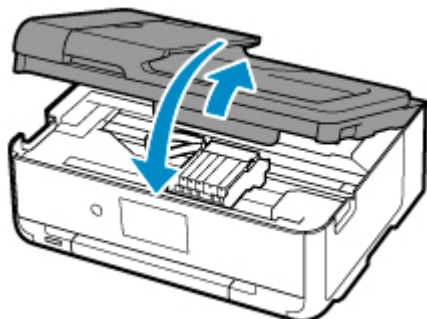


### 重要事项

- 如果墨水盒安装位置错误，则无法进行打印。务必根据打印头固定器上的标签正确安装墨水盒。
- 所有墨水盒安装完成后才能打印。请务必安装所有墨水盒。

9. 关闭扫描单元/机盖。

要关闭扫描单元/机盖，请将其抬起，然后轻轻放下。



### 注意

- 合上扫描单元/机盖时，小心不要夹到手指。

## »» 注释

- 如果关闭扫描单元/机盖后出现错误信息，请采取适当措施。

### ■ 发生错误

- 更换墨水盒后开始打印时，打印机会自动开始清洗打印头。打印机完成打印头清洗之前请勿执行任何其他操作。
- 如果打印头没有对齐(打印的格线未对齐或有类似现象)，请[对齐打印头](#)。
- 打印机在运行时可能会产生噪音。

## 墨水盒注意事项

### »» 重要事项

- 如果取出墨水盒，请立即更换。请勿让打印机处于没有墨水盒的状态。
- 使用新墨水盒进行更换。安装使用过的墨水盒可能会造成喷嘴堵塞。此外，使用这样的墨水盒，打印机将无法正确提示何时更换墨水盒。
- 一旦安装墨水盒后，请勿将其从打印机中取出并裸露放置。这将造成墨水盒干涸，如果重新装入，打印机可能无法正常工作。要保持最佳打印质量，请在墨水盒开封后六个月内将其用完。

### »» 注释

- 即使打印黑白文档或指定黑白打印时，也可能会消耗彩色墨水。为保持打印机性能而必须进行打印头标准清洗和打印头深度清洗时，也会消耗多种墨水。


墨水盒中的墨水用完时，请立即更换一个新的墨水盒。

### ■ 墨水提示

## 在触摸屏上检查墨水状态

1. 确保电源已开启，并且显示主页屏幕。

如果未显示主页屏幕，请点击  (主页) 显示该屏幕。

2. 在主页屏幕上选择  (提示)。


■ [使用操作面板](#)

将出现提示菜单屏幕。

3. 选择  估计墨水量。

如果存在任何关于剩余墨水量的信息，区域 A 中会显示一个符号。



示例: 

墨水量很少。准备一个新墨水盒。

如果在这种情况下继续打印，打印结果的质量可能不会令人满意。

### »» 注释

- 以上屏幕显示估计墨水量。
- 要访问墨水购买网站，在此屏幕上选择**立即订购墨水**并显示 QR 代码。连接到互联网的费用由客户承担。
- 选择**墨水型号**将显示用于检查墨水型号的**墨水型号**屏幕。
- 也可以在打印时显示的触摸屏上检查墨水状态。
- 也可以在计算机屏幕上检查墨水状态。
  - 对于 Windows:
    - [从计算机检查墨水状态](#)
  - 对于 macOS:
    - [从计算机检查墨水状态](#)

## 墨水提示

### 墨水如何用于打印之外的多种用途？

墨水可用于除打印外的其他用途。

安装捆绑墨水盒后第一次使用 Canon 打印机时，打印机将消耗少量墨水以通过向打印头喷嘴填充墨水来启用打印。因此，第一个墨水盒可以打印的纸张数量少于后续的墨水盒。

小册子或网站中所述的打印成本不是基于第一个墨水盒/墨盒的消耗数据，而是基于后续的墨水盒/墨盒的消耗数据。

墨水有时也用于保持最佳打印质量。

为保持打印机的性能，Canon 打印机将根据自身情况自动执行清洗。打印机执行清洗时，将消耗少量墨水。在这种情况下，可能消耗所有颜色的墨水。

#### [清洗功能]

清洗功能将帮助打印机从喷嘴吸取气泡或墨水本身，这样可以防止打印质量降低或喷嘴堵塞。

### 黑白打印是否使用彩色墨水？

根据打印纸张的类型或打印机驱动程序的设置，黑白打印可能会使用黑色墨水以外的墨水。因此，即使在进行黑白打印时也会消耗彩色墨水。

### 打印机为什么有两个黑色墨水盒？

打印机内有两种黑色墨水：染料墨水(BK)和颜料墨水(PGBK)。

染料墨水主要用于打印照片、插图等，而颜料墨水用于打印以文本为主的文档。每种墨水的用途不同，所以即使一种墨水用尽，也不会用另一种墨水代替。如果其中一种墨水用尽，则需要更换墨水盒。

根据打印纸张的类型或打印机驱动程序的设置，会自动使用这两种墨水。无法自行更改这些墨水的用途。

## 如果打印变得暗淡或不均匀

---

- ▶ 维护步骤
- ▶ 打印喷嘴检查图案
- ▶ 检查喷嘴检查图案
- ▶ 清洗打印头
- ▶ 深度打印头清洗
- ▶ 对齐打印头
- ▶ 手动对齐打印头



## 维护步骤

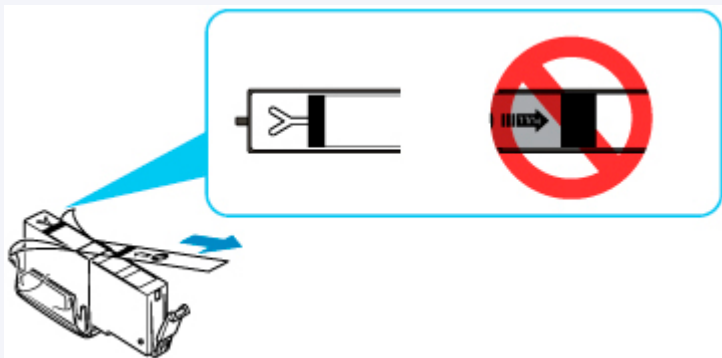
如果打印结果模糊不清、打印颜色错误或对打印结果仍不满意(例如, 打印的规则线条未对齐), 请执行以下维护操作。

### 重要事项

- 请勿冲洗或擦拭打印头和墨水盒。这样会造成打印头和墨水盒故障。

### 注释

- 确保橙色保护胶带没有留在墨水盒上。



- 检查墨水状态。
  - [在触摸屏上检查墨水状态](#)
- 对于 Windows, 在打印机驱动程序设置中提高打印质量可能会改善打印结果。
  - [更改打印质量及修正图像数据](#)

## 打印结果模糊或不均匀时:

**步骤 1** 打印喷嘴检查图案。

从打印机

- [打印喷嘴检查图案](#)

从计算机

- 对于 Windows:
  - [打印喷嘴检查图案](#)
- 对于 macOS:
  - [打印喷嘴检查图案](#)

**步骤 2** [检查喷嘴检查图案](#)。

如果图案中有线条缺失或者水平白色条纹:



**步骤 3** 清洗打印头。

从打印机

■ [清洗打印头](#)

从计算机

- 对于 Windows:
  - [清洗打印头](#)
- 对于 macOS:
  - [清洗打印头](#)

清洗打印头后，打印并检查喷嘴检查图案: ➡ [步骤 1](#)

如果执行两次步骤 1 至步骤 3 后问题仍未解决:



|| **步骤 4** 深度清洗打印头。

从打印机

■ [深度打印头清洗](#)

从计算机

- 对于 Windows:
  - [清洗打印头](#)
- 对于 macOS:
  - [清洗打印头](#)

▶▶ **注释**

- 如果已执行至步骤 4 后问题仍未解决，关闭电源并在 24 小时后再次深度清洗打印头。  
如果问题仍未解决，打印头可能已损坏。请与最近的 Canon 服务中心联系以要求维修。

**打印结果不均匀(例如规则的线条未对齐)时:**

|| **步骤** 对齐打印头。

从打印机

■ [对齐打印头](#)

从计算机

- 对于 Windows:
  - [自动调整打印头位置](#)
- 对于 macOS:
  - [调整打印头位置](#)

## 打印喷嘴检查图案

打印喷嘴检查图案以确定打印头喷嘴是否正常地喷出墨水。

### 注释

- 如果剩余墨水量不足，则不会正确打印喷嘴检查图案。 [更换墨水不足的墨水盒。](#)

**需要准备：**一张 A4 或 Letter 尺寸的普通纸

#### 1. [确认打印机是否已开启。](#)

#### 2. 在纸盒中装入一张 A4 或 Letter 尺寸的普通纸。

将纸盒插入打印机后，触摸屏上会显示纸张设置确认屏幕。如果触摸屏上显示的页尺寸为 **A4** 或 **Letter**，请选择 **是**。否则，选择**更改**并将页尺寸更改为 **A4** 或 **Letter**。



### 注释

- 务必在纸盒中装入纸张。如果在后端托盘上装入纸张，则不会打印喷嘴检查图案。

#### 3. 打开操作面板，然后拉出出纸托盘。

#### 4. 在主页屏幕上选择 (设置)。

##### ■ [使用操作面板](#)

将出现设置菜单屏幕。

#### 5. 选择 维护。

将出现**维护**屏幕。

#### 6. 选择**打印喷嘴检查图案**。



将出现确认屏幕。

**7. 选择是。**

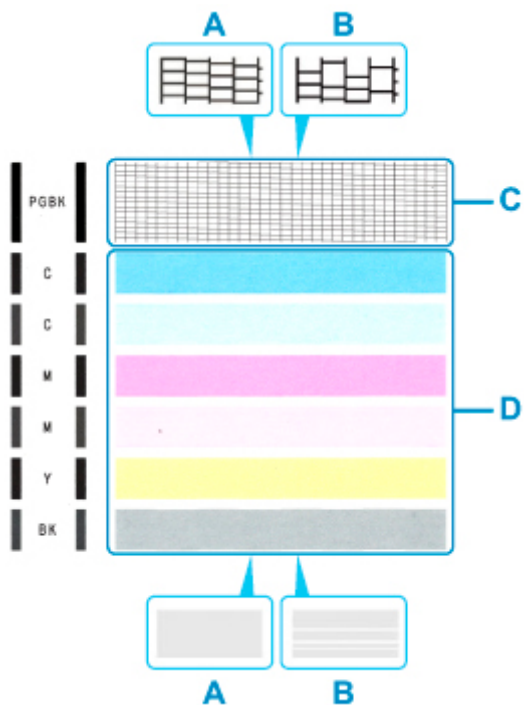
将打印喷嘴检查图案，并且触摸屏上将出现两个图案确认屏幕。

**8. [检查喷嘴检查图案](#)。**

## 检查喷嘴检查图案

检查喷嘴检查图案，并在需要时清洗打印头。

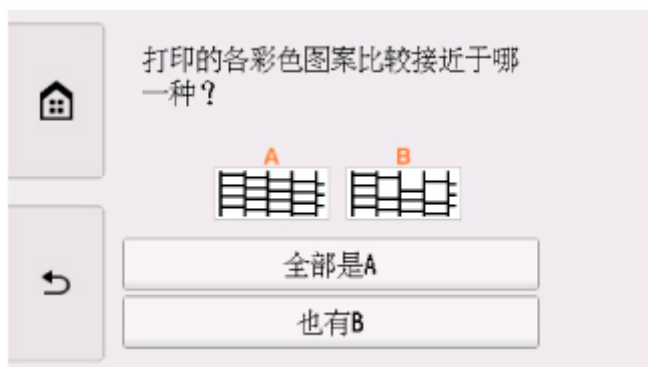
1. 检查图案 C 中是否有线条缺失或者图案 D 中是否有水平白色条纹。

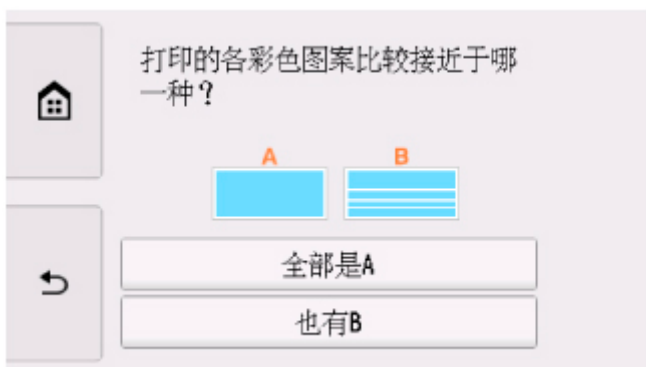


A: 无线条缺失/无水平白色条纹

B: 有线条缺失/有水平白色条纹

2. 选择确认屏幕上更接近已打印的喷嘴检查图案的图案。





对于图案 C 和图案 D 中的 A(无线条缺失或无水平白色条纹):

不需要进行清洗。选择**全部是 A**，确认信息，然后选择 **OK**。

屏幕将返回至**维护**屏幕。

对于图案 C 和/或图案 D 中的 B(有线条缺失或有水平白色条纹):

需要进行清洗。选择**也有 B**，然后在清洗确认屏幕上选择**是**。

打印机开始清洗打印头。

#### ■ [清洗打印头](#)

如果图案 C 中的任何颜色或者图案 D 未打印:



(示例: 未打印品红色图案)

需要进行清洗。选择**也有 B**，然后在清洗确认屏幕上选择**是**。

打印机开始清洗打印头。

#### ■ [清洗打印头](#)

## 清洗打印头

如果打印的喷嘴检查图案中线条缺失或出现水平白色条纹，请清洗打印头。清洗疏通喷嘴并恢复打印头状况。清洗打印头消耗墨水，因此请仅在需要时清洗打印头。

**需要准备：一张 A4 或 Letter 尺寸的普通纸**

1. [确认打印机是否已开启。](#)
2. 在纸盒中装入一张 A4 或 Letter 尺寸的普通纸。


将纸盒插入打印机后，触摸屏上会显示纸张设置确认屏幕。如果触摸屏上显示的页尺寸为 **A4** 或 **Letter**，请选择 **是**。否则，选择**更改**并将页尺寸更改为 **A4** 或 **Letter**。



### ►► 注释

- 务必在纸盒中装入纸张。如果在后端托盘上装入纸张，则不会打印喷嘴检查图案。

3. 打开操作面板，然后拉出出纸托盘。

4. 在主页屏幕上选择  (设置)。

#### ■ 使用操作面板

将出现设置菜单屏幕。

5. 选择  维护。

将出现维护屏幕。

6. 选择清洗。



将出现确认屏幕。

**7. 选择是。**

打印机开始清洗打印头。

打印机完成打印头清洗之前请勿执行任何其他操作。此过程大约需要 1 分钟。

将出现图案打印确认屏幕。

**8. 选择是。**

将打印喷嘴检查图案。

**9. [检查喷嘴检查图案](#)。**

**»» 注释**

- 如果清洗打印头两次后问题仍未解决，请[深度清洗打印头](#)。



## 深度打印头清洗

如果标准打印头清洗未改善打印质量，则深度清洗打印头。深度清洗打印头比标准清洗打印头消耗更多墨水，因此请仅在必要时深度清洗打印头。

**需要准备：**一张 A4 或 Letter 尺寸的普通纸

### 1. [确认打印机是否已开启。](#)

### 2. 在纸盒中装入一张 A4 或 Letter 尺寸的普通纸。

将纸盒插入打印机后，触摸屏上会显示纸张设置确认屏幕。如果触摸屏上显示的页尺寸为 **A4** 或 **Letter**，请选择 **是**。否则，选择**更改**并将页尺寸更改为 **A4** 或 **Letter**。



### ►► 注释

- 务必在纸盒中装入纸张。如果在后端托盘上装入纸张，则不会打印喷嘴检查图案。

### 3. 打开操作面板，然后拉出出纸托盘。

### 4. 在主页屏幕上选择 (设置)。

#### ■ [使用操作面板](#)

将出现设置菜单屏幕。

### 5. 选择 维护。

将出现**维护**屏幕。

### 6. 选择**深度清洗**。



将出现确认屏幕。

**7. 选择是。**

打印机开始深度清洗打印头。

打印机完成打印头深度清洗之前请勿执行任何其他操作。此过程大约需要 1 到 2 分钟。

将出现图案打印确认屏幕。

**8. 选择是。**

将打印喷嘴检查图案。

**9. 出现完成信息时，选择 OK。**

**10. 检查喷嘴检查图案。**

如果未正确打印某种颜色，则[更换该颜色的墨水盒](#)。

如果问题未解决，关闭电源并在 24 小时后再次深度清洗打印头。

如果问题仍未解决，打印头可能已损坏。请与最近的 Canon 服务中心联系以要求维修。

## 对齐打印头

如果规则的线条打印后没有对齐或打印效果不理想，请调整打印头位置。

### ►► 注释

- 如果剩余墨水量不足，则不会正确打印打印头对齐页。

[更换墨水不足的墨水盒。](#)

- 如果打印打印头对齐页时墨水用完，触摸屏上会显示错误信息。

■ [发生错误](#)

**需要准备：两张 A4 或 Letter 尺寸的普通纸**

#### 1. [确认打印机是否已开启。](#)

#### 2. 在纸盒中装入两张 A4 或 Letter 尺寸的普通纸。

将纸盒插入打印机后，触摸屏上会显示纸张设置确认屏幕。如果触摸屏上显示的页尺寸为 **A4** 或 **Letter**，请选择 **是**。否则，选择**更改**并将页尺寸更改为 **A4** 或 **Letter**。



### ►► 注释

- 务必在纸盒中装入纸张。如果在后端托盘上装入纸张，则不会打印打印头对齐页。

#### 3. 打开操作面板，然后拉出出纸托盘。

#### 4. 在主页屏幕上选择 (设置)。

■ [使用操作面板](#)

将出现设置菜单屏幕。

#### 5. 选择 维护。

将出现**维护**屏幕。

## 6. 选择自动打印头对齐。



将出现确认屏幕。

## 7. 确认信息，然后选择是。

打印完打印头对齐页后，打印头将自动对齐。

此过程大约需要 3 到 4 分钟。

### ►► 注释

- 如果打印头自动对齐失败，触摸屏上会显示错误信息。

■ [发生错误](#)

## 8. 出现完成信息时，选择 OK。

### ►► 注释

- 如果按以上所述调整打印头位置后打印结果仍不令人满意，请[手动调整打印头位置](#)。

也可以从计算机手动对齐打印头。

- 对于 Windows:

■ [手动调整打印头位置](#)

- 对于 macOS:

■ [调整打印头位置](#)

- 要打印和检查当前打印头的位置调整值，请选择**维护**屏幕上的**打印打印头对齐数值**。

## 手动对齐打印头

如果打印结果不如预期，例如打印的格线未对齐，请尝试在自动打印头对齐后手动对齐打印头。

### ►► 注释

- 有关自动打印头对齐的详细资料，请参见[对齐打印头](#)。

**需要准备：**三张 A4 或 Letter 尺寸的普通纸

#### 1. [确认打印机是否已开启](#)。

#### 2. 在纸盒中装入三张 A4 或 Letter 尺寸的普通纸。

将纸盒插入打印机后，触摸屏上会显示纸张设置确认屏幕。

如果触摸屏上显示的页尺寸为 **A4** 或 **Letter**，请选择 **是**。

否则，选择**更改**并将页尺寸更改为 **A4** 或 **Letter**。



### ►► 注释

- 务必在纸盒中装入纸张。如果在后端托盘上装入纸张，则不会打印打印头对齐页。

#### 3. 打开操作面板，然后拉出出纸托盘。

#### 4. 在主页屏幕上选择 (设置)。

##### ■ [使用操作面板](#)

将出现设置菜单屏幕。

#### 5. 选择 维护。

将出现**维护**屏幕。

#### 6. 选择**手动打印头对齐**。



将出现确认屏幕。

### ▶▶▶ 注释

- 要打印和检查当前的打印头位置对齐值，请选择打印打印头对齐数值。

#### 7. 查看信息，并选择是。

将打印打印头对齐图案。

#### 8. 显示图案是否正确打印？时，请确认图案是否正确打印，如果正确，选择是。

#### 9. 查看信息并选择下一步。

显示打印头位置对齐调整值的输入屏幕。



#### 10. 检查第一组图案并点击 A。在 A 列中，找到条纹最不显著的图案，然后选择该图案的编号。



### 注釋

- 如果所有的图案看起来不一样，选择垂直条纹最不显著的图案。

细微的垂直条纹



垂直条纹显著



- 如果所有的图案看起来不一样，选择水平条纹最不显著的图案。

细微的水平条纹



水平条纹显著

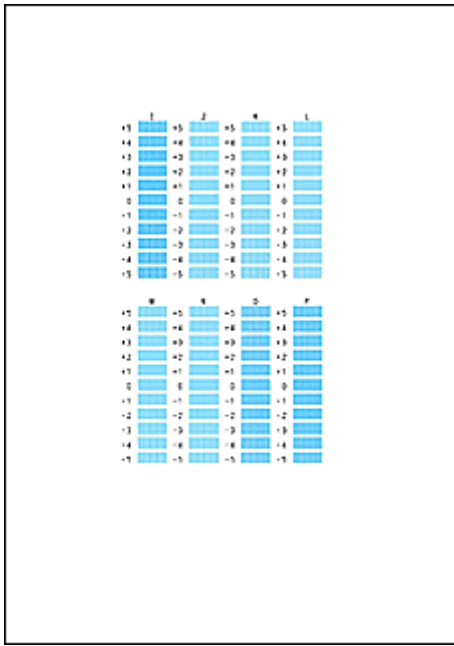


11. 重复这些步骤，直至完成在 B 列到 H 列输入图案编号，然后选择 **OK**。

12. 查看信息并选择 **OK**。

将打印第二组图案。

13. 检查第二组图案并点击 I。在 I 列中，找到条纹最不显著的图案，然后选择该图案的编号。



### 注釋

- 如果所有的图案看起来不一样，选择竖直条纹最不显著的图案。

细微的竖直条纹



竖直条纹显著



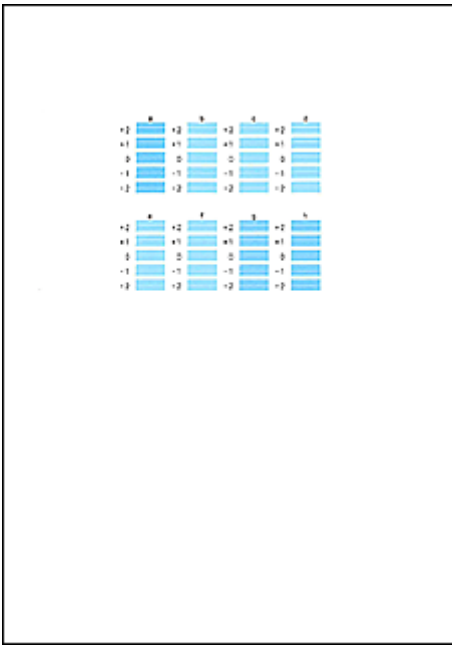
14. 重复这些步骤，直至完成在 J 列到 P 列输入图案编号，然后选择 **OK**。

15. 查看信息并选择 **OK**。

将打印第三组图案。

16. 检查第三组图案并点击 a。在 a 列中，找到条纹最不显著的图案，然后选择该图案的编号。





»» 注释

- 如果所有图案看起来不一样，请选择水平条纹最不显著的图案。

细微的水平条纹



水平条纹显著



17. 重复这些步骤，直至完成在 b 列到 h 列输入图案编号，然后选择 **OK**。

18. 出现确认信息时，选择 **OK**。

## 清洁

---

- ▶ 清洁外部表面
- ▶ 清洁稿台玻璃和文档盖板
- ▶ 清洁 ADF(自动输稿器)
- ▶ 清洁进纸滚轴
- ▶ 清洁打印机内部(底板清洁)
- ▶ 清洁纸盒垫板

## 清洁进纸滚轴

如果进纸滚轴脏污或沾有纸屑，则可能不会正确送入纸张。

在这种情况下，清洁进纸滚轴。清洁会磨损进纸滚轴，因此仅在必要时执行清洁。

**需要准备：三张 A4 或 Letter 尺寸的普通纸**

### 1. [确认打印机是否已开启。](#)

### 2. 在主页屏幕上选择 (设置)。

■ [使用操作面板](#)

将出现设置菜单屏幕。

### 3. 选择 维护。

将出现**维护**屏幕。

### 4. 选择**滚轴清洁**。



将出现确认屏幕。

### 5. 选择**是**。

### 6. 选择**后端托盘**或**纸盒**以清洗进纸滚轴。

### 7. 按照信息从纸张来源取出所有纸张。

如果清洗纸盒的进纸滚轴，请从纸盒取出所有纸张，然后将其推回。

### 8. 选择 **OK**。

将打开操作面板，且自动拉出出纸托盘。

### 9. 确保进纸滚轴已停止转动，然后按照信息装入三张 A4 或 Letter 尺寸的普通纸。

**10.** 打开操作面板，然后拉出出纸托盘。

**11.** 选择 **OK**。

打印机开始清洁。纸张弹出时，清洁完成。

**12.** 出现完成信息时，选择 **OK**。

如果清洁进纸滚轴后问题仍未解决，请联系最近的 Canon 服务中心进行维修。

## 清洁打印机内部(底板清洁)

从打印机内部擦除污迹。如果打印机内部脏污，可能会弄脏打印的纸张，因此建议定期执行清洁。

**需要准备：一张 A4 或 Letter 尺寸的普通纸\***

\* 务必使用一张新纸。

### 1. [确认打印机是否已开启。](#)

### 2. 在主页屏幕上选择 (设置)。

■ [使用操作面板](#)

将出现设置菜单屏幕。

### 3. 选择 维护。

将出现**维护**屏幕。

### 4. 选择**底板清洁**。



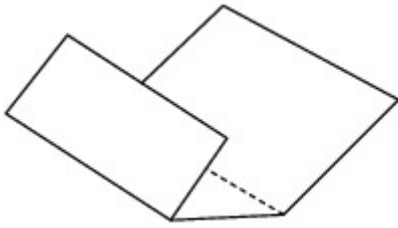
将出现确认屏幕。

### 5. 选择**是**。

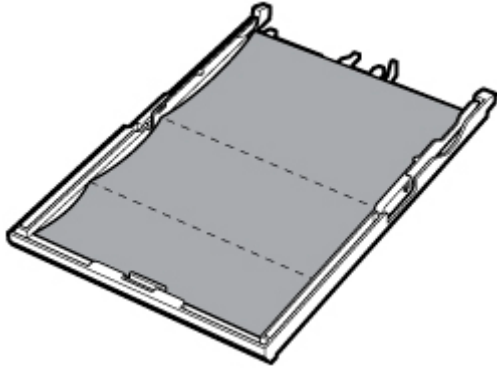
### 6. 按照信息从纸盒中取出所有纸张，然后选择 **OK**。

### 7. 将一张 A4 或 Letter 尺寸的普通纸横向对折，然后打开纸张。

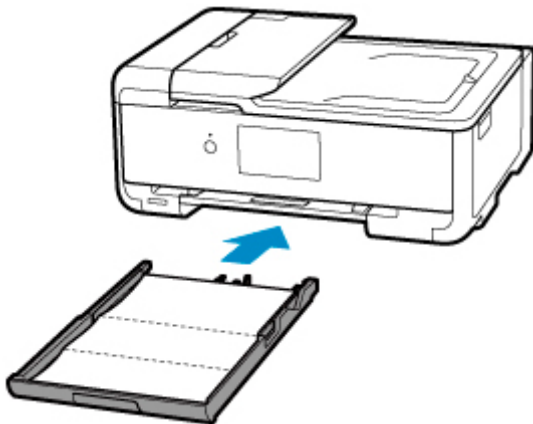
### 8. 打开后，将其中一半对折，使其边缘与中心折痕对齐，打开纸张，然后选择 **OK**。



9. 仅将这页纸张装入纸盒，并且将折缝的凸面朝上，使有折缝的半页纸的边缘朝向自己。



10. 将纸盒插入打印机。



11. 打开操作面板，然后拉出出纸托盘。

12. 选择 **OK**。

纸张送入打印机时将清洁打印机内部。

检查已输出纸张的折叠部分。如果被墨水弄脏，请再次执行底板清洁。

13. 出现完成信息时，选择 **OK**。

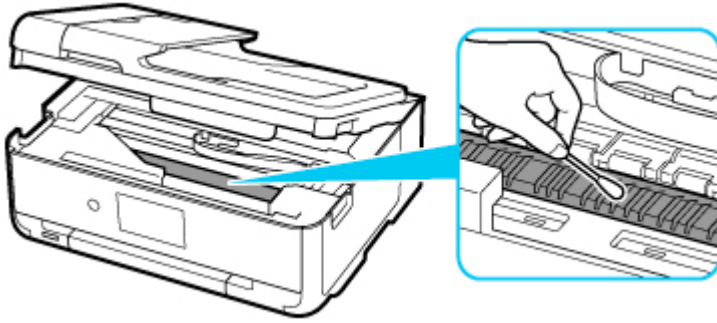
#### »» 注释

- 再次执行底板清洁时，务必使用一张新纸。

如果再次执行清洁后问题仍未解决，打印机内部的突出部分可能已脏污。使用棉签或类似物品将突出部分的所有墨水擦拭干净。

## 重要事项

- 清洁打印机之前，务必关闭电源并拔出电源线。



## 概述

---

### ▶ 安全相关

- 安全注意事项
- 法规信息
- WEEE (EU & EEA)

### ▶ 使用注意事项

- 取消打印作业
- 扫描/复印的法律限制
- 运输打印机
- 修理、外借或处置打印机时
- 保持高打印质量

### ▶ 主要部件和使用方法

- 主要部件
- 电源供应
- 使用操作面板

### ▶ 更改设置

- 从您的计算机中更改打印机设置 (Windows)
- 从您的计算机中更改打印机设置 (macOS)
- 从操作面板更改设置

### ▶ 规格



## 安全相关

---

- ▶ 安全注意事项
- ▶ 法规信息
- ▶ WEEE (EU&EEA)

## 安全注意事项

### 安全注意事项

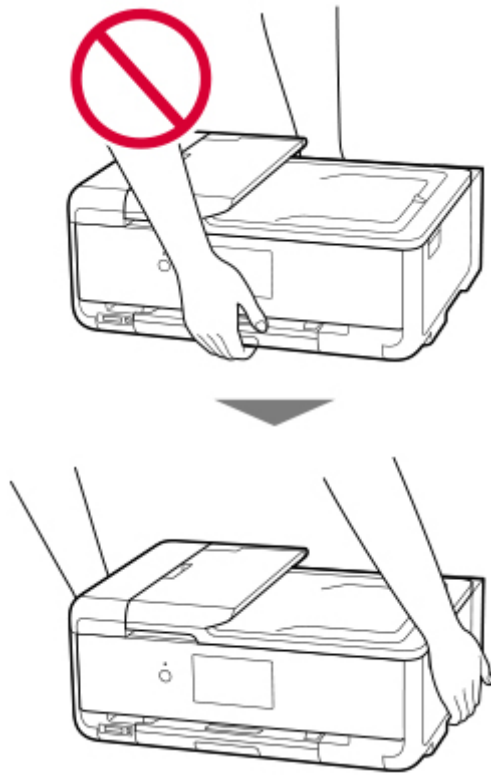
- 本手册包含打印机的重要通知和安全注意事项。  
请勿以随附手册中所述之外的方式使用本打印机，否则可能会导致火灾、触电或其他意外事故。  
安全标准标志和声明仅适用于适用国家或地区所支持的电压和频率。

### 警告

- 使用心脏起搏器的用户：  
本产品发射出低电平磁通量。如果您感觉异常，请远离本产品并咨询您的医生。
- 下列情况下请勿使用打印机：  
请立即停止使用，拔掉打印机电源并联系当地的服务代表以请求维修。
  - 金属物体或液体溅入打印机内部。
  - 打印机发出烟雾、异味，或产生不寻常的噪音。
  - 电源线或插头过热或者破损、弯曲或以任何方式损坏。
- 不遵守下列事项可能会导致火灾、触电或受伤：
  - 请勿将产品置于易燃溶剂（如酒精或稀释剂）附近。
  - 请勿打开或改装打印机。
  - 仅可使用打印机随附的电源线/电缆。请勿将这些电缆与其他设备一同使用。
  - 请勿插入指定电压或频率以外的电压或频率。
  - 将电源线完全插入插座。
  - 请勿用湿手插拔电源线。
  - 请勿扭曲、捆扎、捆绑、拉扯或过度弯曲从而损坏电源线。
  - 请勿在电源线上放置重物。
  - 请勿将多条电源线连接至单个电源插座。请勿使用多条延长线。
  - 雷雨天气时，请拔掉打印机插头。
  - 清洗时，请务必拔掉电源线和电缆。请勿使用如酒精或稀释剂等易燃喷雾或液体进行清洗。
  - 每月拔下一次电源线，检查其是否过热、锈蚀、弯曲、划伤、裂开或损坏。

### 注意

- 打印时请勿将手置于打印机内。
- 打印后，请勿立即触摸打印头或其他金属部件。
- 墨水
  - 请将墨水放在儿童拿取不到的地方。
  - 如果不慎舔到或吞入墨水，请先漱口，然后喝一到两杯水。如果感到刺激或不适，请立即就医。
  - 如果眼睛接触到墨水，请立即用清水冲洗。如果皮肤接触到墨水，请立即用肥皂和清水清洗。如果眼睛或皮肤仍然感到刺激，请立即就医。
- 移动打印机
  - 请勿由纸盒处握住打印机。请握住打印机的两侧，并用双手搬运。



## 一般通知

### 请选择位置

请参阅在线手册中的“规格”了解关于操作环境的详情。

- 请勿将打印机安装在不稳定或易受到剧烈振动的地方。
- 请勿将打印机安装在温度过高（阳光直射或靠近热源处）、非常潮湿或多尘的地方或者户外。
- 请勿将打印机放置于厚垫或地毯上。
- 请勿将打印机靠墙齐平放置。

### 电源

- 必须始终保持电源插座周围的区域清洁，以便在必要时可轻松拔下电源线。
- 切勿以拉扯电源线的方式拔下插头。

### 一般通知

- 请勿将打印机倾斜、侧置或者倒置。这可能会导致墨水泄漏。
- 请勿在打印机上方放置任何物品。请特别注意，避免使用如回形针和订书钉等金属物体，以及盛装如酒精或稀释剂等易燃液体的容器。
- 请勿在稿台玻璃上放置大型物品时，施加过大压力。
- 请勿尝试打开、拆卸或改装墨水盒。墨水可能会泄漏并损坏打印机。
- 请勿将打印头或墨水盒投入火中。

## 法规信息

---

### 干扰

请勿在医疗设备或其他电子设备附近使用打印机。来自打印机的信号可能会干扰这些设备的正确运行。

## WEEE (EU&EEA)

---

此规定仅适用于欧盟和 EEA（挪威、冰岛和列支敦士登）。  
此处没有通知信息。

## 使用注意事项

---

- ▶ 取消打印作业
- ▶ 扫描/复印的法律限制
- ▶ 运输打印机
- ▶ 修理、外借或处置打印机时
- ▶ 保持高打印质量

## 扫描/复印的法律限制

---

扫描、打印、复印以下内容或修改以下内容的复印件可能会受到法律的制裁。

此列表为不完全清单。如有疑问，请咨询法律代表。

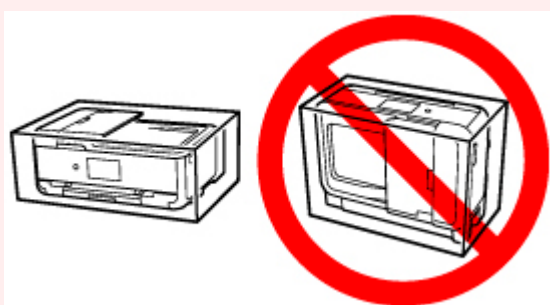
- 纸币
- 汇票
- 存款单
- 邮票(盖戳或未盖戳的)
- 身份识别卡或标志
- 义务兵役或征兵证件
- 政府机构签发的支票或汇票
- 机动车驾照和所有权证书
- 旅行支票
- 食品券
- 护照
- 移民证件
- 国内税收印花税票(盖戳或未盖戳的)
- 债券或其他债务凭证
- 股票
- 未经所有者许可的版权著作或艺术作品

## 运输打印机

因搬家或维修需要重新放置打印机时，请确保下列情况。

### 重要事项

- 将打印机包装在坚固的箱子中，使其底部向下放置，使用充足的保护材料，以确保打印机运输安全。
- 在不取出打印机内安装的打印头和墨水盒的状态下，按**电源**按钮关闭电源。该功能可以使打印机自动盖上打印头，以防止其变干。
- 包装后，请勿倾斜装有打印机的箱子，或将其侧放或倒放。否则可能造成运输过程中墨水漏出并损坏打印机。
- 运输代理商运输打印机时，请在包装箱上标明“此面向上”，以使打印机保持底部向下。同时在包装箱上标明“易碎”或“小心轻放”。



1. 关闭打印机。
2. 确认**电源**指示灯已熄灭并**拔出电源线**。

### 重要事项

- 请勿在**电源**指示灯亮起或闪烁时拔出打印机插头，否则可能会造成打印机故障或损坏，以致打印机无法打印。

3. 收回出纸托盘和出纸支架，然后合上操作面板。
4. 收回靠纸架，然后关闭后端托盘盖。
5. 从计算机和打印机拔出打印机电缆线，然后从打印机拔出电源线。
6. 用粘贴胶带固定打印机上的所有盖板，以防在运输过程中打开。然后用塑料袋包装打印机。
7. 将打印机装入包装箱时，用保护材料包装打印机。




## 修理、外借或处置打印机时

---

如果已在打印机上输入个人数据、密码和/或其他安全设置，这些信息可能会存入打印机。

因修理打印机，将打印机外借或转交给他人或对其进行处置而移动打印机时，请确保按以下步骤删除这些信息，并防止第三方访问这些信息。

- 在主页屏幕上选择  (设置)，然后选择**设备设置** > **重置设置** > **全部重置** > **是**。

## 保持高打印质量

获得最佳打印质量的关键在于防止打印头变干或堵塞。务必注意以下规则以获得最佳打印质量。

### »» 注释

- 根据纸张类型，如果打印区域被荧光笔或画笔涂画过，则墨水可能会模糊；如果打印区域接触到水或汗渍，则墨水可能会渗出。

### 电源关闭前请勿拔出电源线！

如果按**电源**按钮关闭电源，打印机会自动盖上打印头(喷嘴)以防止干涸。如果在**电源**指示灯熄灭前从壁装电源插座拔出电源线，则无法正确盖住打印头，从而造成打印头变干或阻塞。

[拔出电源线](#)时，确认**电源**指示灯未亮起。

### 定期打印！

如果毡头笔长时间未使用，即使已盖上笔帽笔头也会变得干涸而无法使用。同样的道理，如果打印机长时间未使用，打印头可能也会干涸或堵塞。建议每月至少使用一次打印机。

## 主要部件和使用方法

---

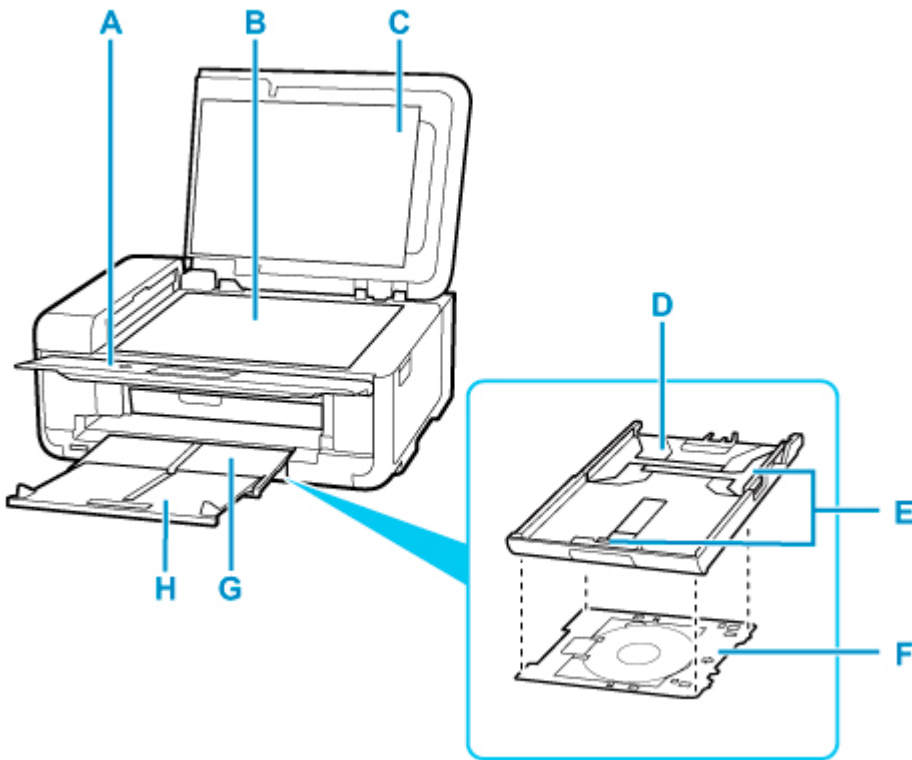
- ▶ 主要部件
- ▶ 电源供应
- ▶ 使用操作面板

## 主要部件

---

- ▶ 前视图
- ▶ 后视图
- ▶ 内部视图
- ▶ 操作面板

## 前视图



### A: 操作面板

用以更改打印机设置或操作打印机。打印开始前，会自动打开。

#### ■ 操作面板

### B: 稿台玻璃

请在此处放置原稿。

### C: 文档盖板

打开以在稿台玻璃上放置原稿。

### D: 纸盒

将 A4、B5、A5 或 Letter 尺寸的普通纸装入纸盒，并将纸盒插入打印机。

#### ■ 在纸盒中装入纸张

### E: 纸张导片

对齐纸叠的右/左/前侧。

### F: 多用途托盘

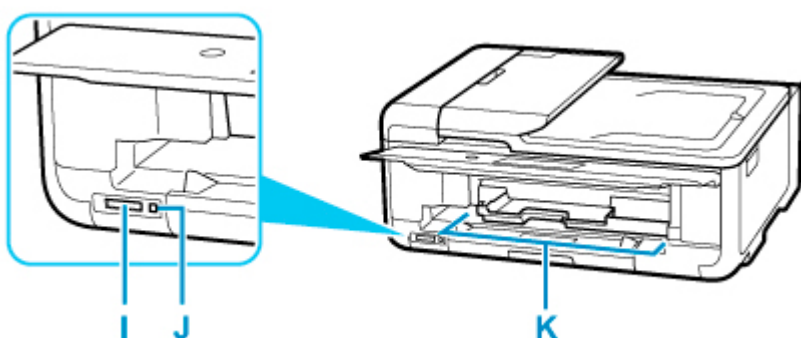
在可打印光盘上打印时使用。

### G: 出纸托盘

输出已打印的纸张。打印前将其拉出。

### H: 出纸支架

拉出以承托输出纸张。



**I: 存储卡插槽**

插入存储卡。

■ [插入存储卡之前](#)

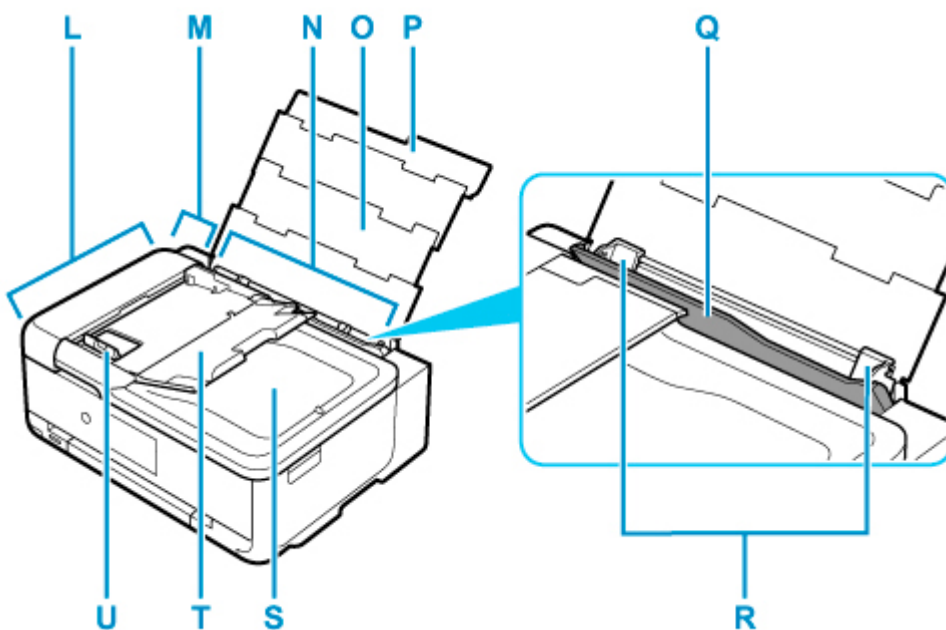
**J: 存取指示灯**

亮起或闪烁以指示存储卡状态。

■ [插入存储卡](#)

**K: 多用途托盘导引器**

将多用途托盘放在此处。



**L: ADF(自动输稿器)**

请在此处装入文档。文档托盘中装入的文档一次可自动扫描一张。

■ [在 ADF\(自动输稿器\)中装入文档](#)

**M: 文档输送机盖板**

清除卡住的文档时将其打开。

**N: 后端托盘**

请在此处装入纸张。可以同时装入两张或更多相同尺寸和类型的纸张，并且每次自动送入一张。

■ [在后端托盘中装入纸张](#)

■ [在后端托盘中装入信封](#)

**O: 靠纸架**

拉出以在后端托盘中装入纸张。

**P: 后端托盘盖**

打开以在后端托盘中装入纸张。

**Q: 进纸插槽盖板**

防止任何物品落入进纸插槽。

打开可以移动纸张导片，打印前请将其关闭。

**R: 纸张导片**

对齐纸叠的两侧。

**S: 文档输出槽**

从自动输稿器扫描的文档将传送到此处。

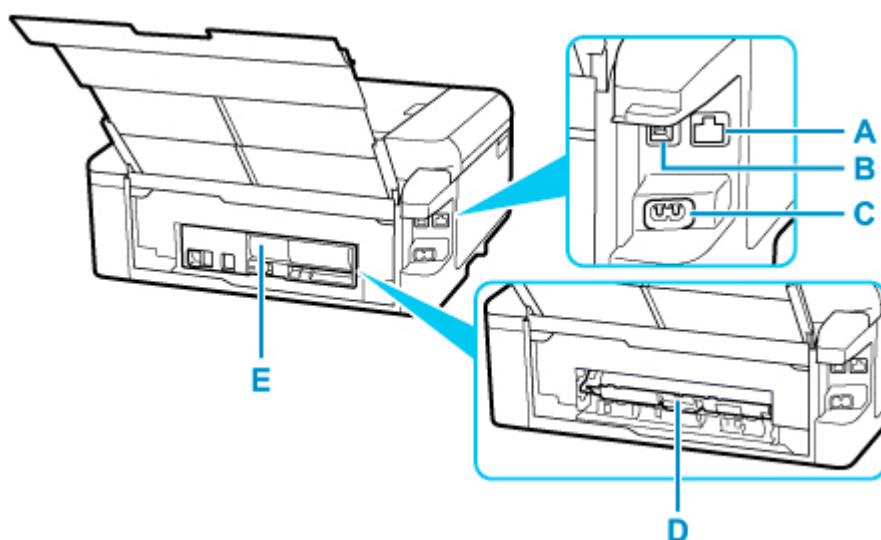
**T: 文档托盘**

打开以在自动输稿器中装入文档。可以装入两页或两页以上相同尺寸和厚度的文档。将文档要扫描的一面向上装入。

**U: 文档导片**

调整此导片，使其适合自动输稿器中文档的宽度。

## 后视图



### A: 有线 LAN 连接器

插入将打印机连接到 LAN 的 LAN 电缆线。

### B: USB 端口

插入 USB 电缆线以连接打印机和计算机。

### C: 电源线连接器

插入附带的电源线。

### D: 传送单元盖

取出卡纸时打开。

### E: 后盖

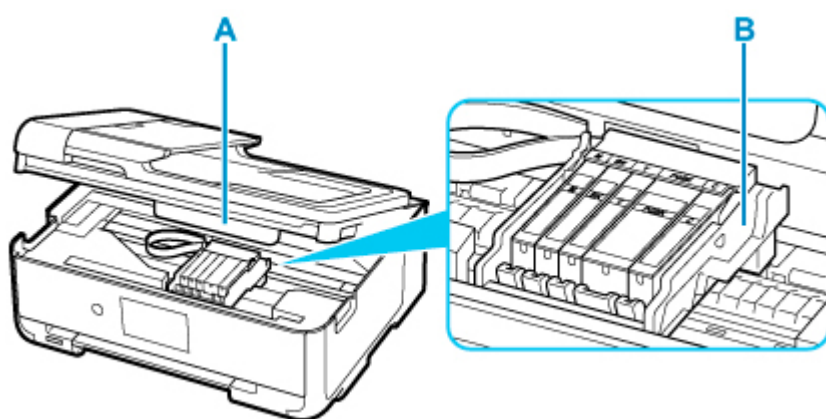
取出卡纸时取下。

### 重要事项

- 请勿触摸金属外壳。
- 打印机正在通过计算机打印或扫描时，请勿插入或拔出 USB 电缆线。否则可能会造成故障。



## 内部视图



### A: 扫描单元/机盖

扫描原稿。此外，将其抬起并打开可更换墨水盒或取出打印机内部的卡纸。

### B: 打印头固定器

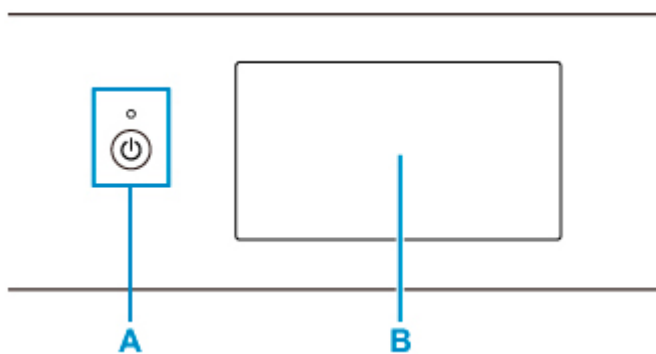
打印头是预先安装的。

### »» 注释

- 有关更换墨水盒的详细资料，请参见[更换墨水盒](#)。

## 操作面板

---



### A: 电源按钮/电源指示灯

打开或关闭电源。电源开启时，闪烁后亮起。开启电源前，请确保文档盖板处于关闭状态。

### B: 触摸屏

显示信息、菜单项和工作状态。用指尖直接轻触屏幕以选择菜单项目或显示的按钮。打印前，也可以预览存储卡上的照片。

#### ■ [触摸屏的基本操作](#)

## 电源供应

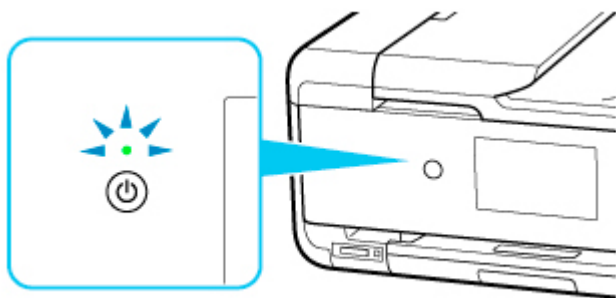
---

- ▶ 确认电源已开启
- ▶ 开启和关闭打印机
- ▶ 检查电源插头/电源线
- ▶ 拔出打印机插头

## 确认电源已开启

打印机开启时，**电源**指示灯亮起。

即使触摸屏已关闭，如果**电源**指示灯亮起，则打印机仍处于开启状态。



### ►► 注释

- 开启打印机后，打印机可能需要一段时间才能立即开始打印。
- 如果大约 10 分钟内未操作打印机，则触摸屏显示将关闭。要恢复显示，请触摸触摸屏。从计算机进行打印操作也可以恢复显示。

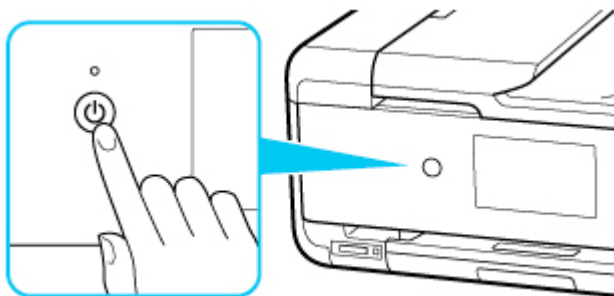
## 开启和关闭打印机

### 开启打印机

1. 按**电源**按钮开启打印机。

电源指示灯闪烁，然后持续亮起。

#### ■ 确认电源已开启



#### ▶▶▶ 注释

- 开启打印机后，打印机可能需要一段时间才能立即开始打印。
- 如果在触摸屏上显示错误信息，请参见[发生错误](#)。
- 可以将打印机设置为在从通过 USB 电缆线或无线网络连接的计算机执行打印或扫描操作时自动开启。此功能默认设置为关闭。

从打印机

#### ■ 环保设置

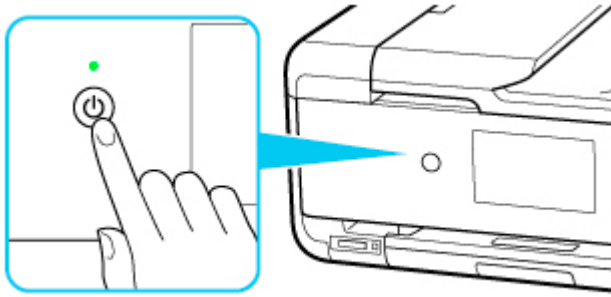
从计算机

- 对于 Windows:
  - [管理打印机电源](#)
- 对于 macOS:
  - [管理打印机电源](#)

### 关闭打印机

1. 按**电源**按钮关闭打印机。

电源指示灯停止闪烁时，打印机关闭。



### 重要事项

- 关闭打印机后**拔出电源线**时，请务必确认**电源**指示灯已熄灭。

### 注释

- 按**电源**按钮时，触摸屏上将显示收回出纸托盘的确认屏幕。如果要收回出纸托盘，请选择**是**。
- 可以设置打印机在一定间隔时间中未执行操作或无打印作业发送至打印机时自动关闭。此功能默认设置为开启。

从打印机

#### ■ 环保设置

从计算机

- 对于 Windows:
  - [管理打印机电源](#)
- 对于 macOS:
  - [管理打印机电源](#)

## 检查电源插头/电源线

---

每月拔出电源线一次以确认电源插头/电源线没有任何下列异常。

- 电源插头/电源线过热。
- 电源插头/电源线生锈。
- 电源插头/电源线弯曲。
- 电源插头/电源线磨损。
- 电源插头/电源线破裂。

### 注意

- 如果发现电源插头/电源线有任何上述异常，请[拔出电源线](#)并联系服务中心。在上述任一异常情况下使用打印机可能造成火灾或触电。
-

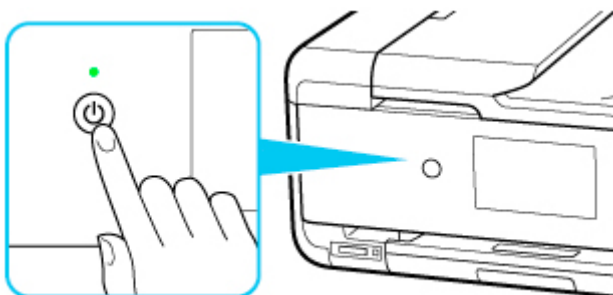
## 拔出打印机插头

要拔出电源线，请按照以下步骤操作。

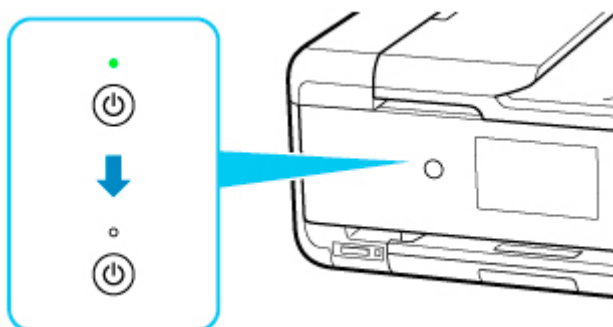
### 重要事项

- 拔出电源线时，按**电源**按钮，然后确认**电源**指示灯已熄灭。在**电源**指示灯亮起或闪烁时拔出电源线，可能会造成打印头干涸或堵塞，打印质量可能会降低。

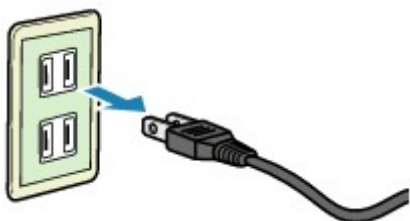
#### 1. 按**电源**按钮关闭打印机。



#### 2. 确认**电源**指示灯已熄灭。



#### 3. 拔出电源线。



根据使用本机所在的国家或地区的不同，电源线的规格也不同。

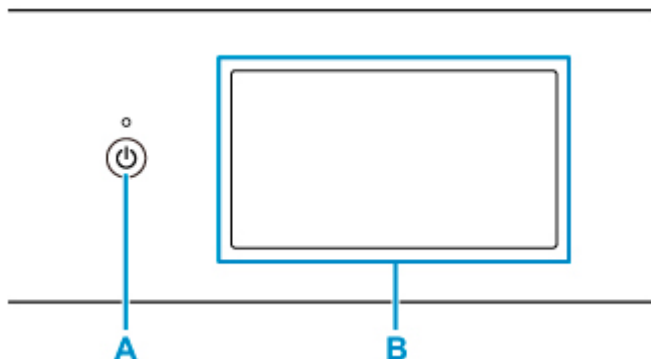


## 使用操作面板

操作面板由电源按钮(A)和触摸屏(B)组成。

用指尖触摸触摸屏上的主页屏幕以选择复印、扫描和其他功能的菜单。

### ■ 主页屏幕上的操作



A: 电源按钮

B: 触摸屏

■ [触摸屏的基本操作](#)

■ [触摸屏上的图标](#)

## 触摸屏的基本操作

用指尖轻触触摸屏或移动手指以访问各项功能或设置。

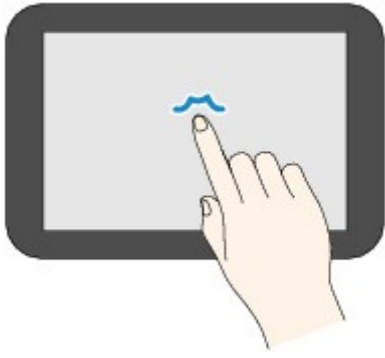
### ▶▶▶ 重要事项

- 操作触摸屏时，请确保避免以下操作，否则可能会造成打印机故障或损坏打印机。
  - 适当用力接触触摸屏。
  - 用手指以外的物品(尤其是用圆珠笔、铅笔或指甲等尖锐物)接触触摸屏。
  - 用湿的或脏污的手触摸触摸屏。
  - 在触摸屏上放置任何物品。
- 请勿在触摸屏上粘贴保护膜。将其移除时可能会损坏触摸屏。

### 点击

用指尖轻触并立即松开。

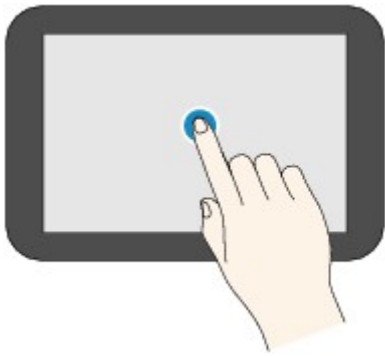
用于选择屏幕上的项目或照片。



### 触摸

用指尖轻触。

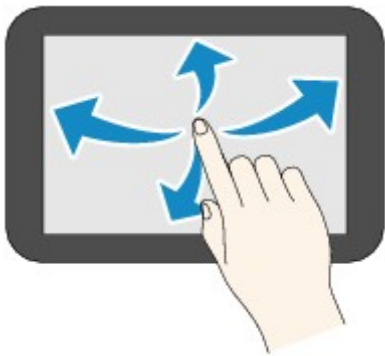
要使菜单或照片连续前进(或后退)，请按住前进(或后退)标记。



### 滑动

在屏幕上向上、向下、向左或向右滑动手指。

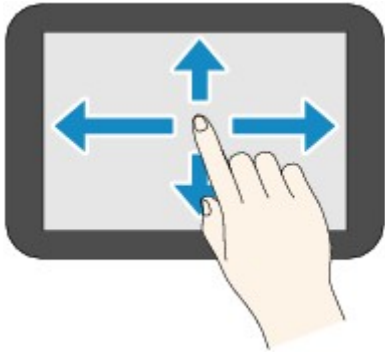
用于切换菜单或者使照片前进或后退。



### 拖动

轻触屏幕的同时，向上、向下、向左或向右移动手指。

用于查看项目列表或移动滑块。



## 主页屏幕上的操作

在主页屏幕上显示菜单屏幕或设置屏幕。



### C: 基本菜单

使用操作面板选择复印或扫描。选择基本菜单后，将显示详细菜单。

### D: 网络

显示当前网络状态。选择以显示基本网络信息或更改网络设置。

根据所使用的网络或网络状态，图标会有所不同。



已启用 Wi-Fi，且打印机已连接到无线路由器。

### 注釋

- 图标会根据信号状态而改变。



(信号强度：81%或更强)：可以顺利通过 Wi-Fi 使用打印机。



(信号强度：51%或更强)：根据网络状态，可能会出现打印机无法打印等问题。建议将打印机放置在靠近无线路由器的位置。



(信号强度：50%或更弱)：可能会出现打印机无法打印等问题。将打印机放置在靠近无线路由器的位置。



已启用 Wi-Fi，但打印机未连接到无线路由器。



有线 LAN 已启用。



无线直连已启用。



Wi-Fi 和有线 LAN 已禁用。

### E: 无线连接

选择此项可使用简易无线连接通过 Wi-Fi 或通过 Bluetooth 将打印机连接到智能手机/平板电脑。

点击该按钮可显示开始连接的确认屏幕。触摸并按住该按钮可切换至简易无线连接或 Bluetooth 连接的待机模式。

- 简易无线连接
- Bluetooth 设置

### F: 设置

显示打印机的设置菜单或维护菜单。

PIXMA/MAXIFY Cloud Link 发出更新通知或信息时，该按钮上会出现 **NEW**。

- [固件更新](#)
- 使用 PIXMA/MAXIFY Cloud Link

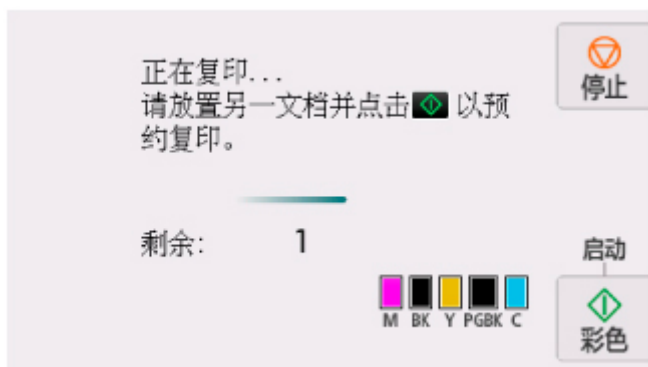
### G: 提示

显示关于装入纸张和故障排除等的步骤，以及估计墨水量和系统消息等信息的快速指南。

## 触摸屏上的图标

在触摸屏上操作时，触摸屏上会显示一些图标。





**(主页)**

显示主页屏幕。



**(返回)**

将触摸屏返回至上一屏幕。

**黑白**

开始黑白复印、扫描等。

**彩色**

开始彩色复印、扫描等。

**停止**

取消正在进行的打印、复印或扫描作业。

## 更改设置

---

- ▶ [从您的计算机中更改打印机设置 \(Windows\)](#)
- ▶ [从您的计算机中更改打印机设置 \(macOS\)](#)
- ▶ [从操作面板更改设置](#)

## 从您的计算机中更改打印机设置(Windows)

---

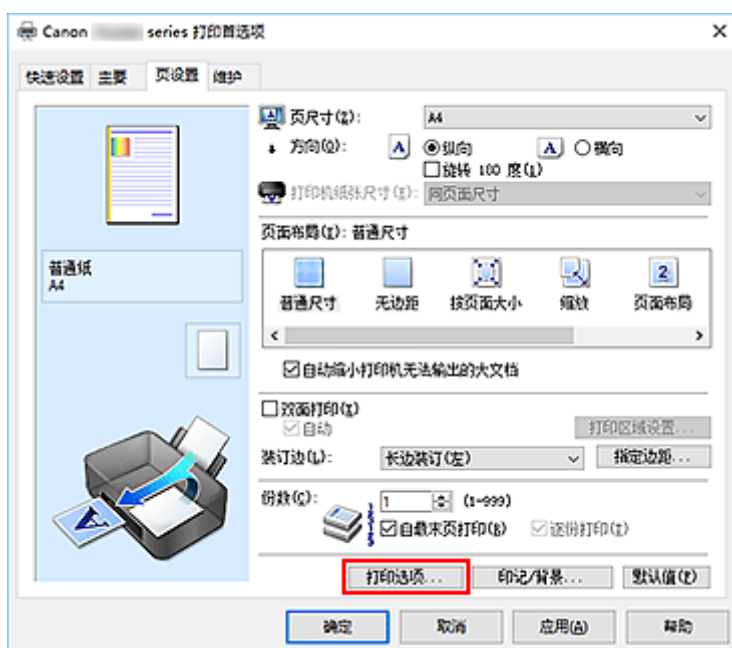
- ▶ 更改打印选项
- ▶ 注册常用打印配置文件
- ▶ 设置要使用的墨水盒
- ▶ 管理打印机电源
- ▶ 更改打印机操作模式

## 更改打印选项

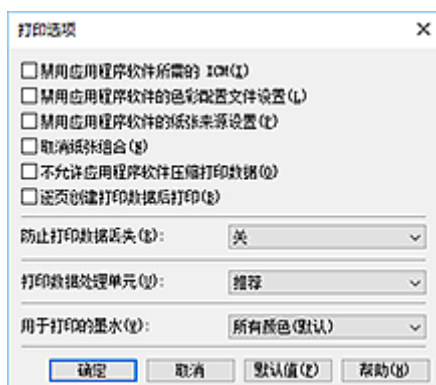
可为打印从应用程序软件发送的打印数据而更改详细的打印机驱动程序设置。

如果部分图像数据被剪裁，打印过程中的纸张来源与驱动程序设置的不同或者打印失败，请选中该复选框。

1. 打开[打印机驱动程序设置窗口](#)
2. 单击页设置选项卡上的打印选项...



打印选项对话框打开。



3. 更改各设置

如有必要，更改各项目的设置，然后单击**确定**。

再次显示**页设置**选项卡。



## 注册常用打印配置文件

可以将常用的打印配置文件注册到**快速设置**选项卡上的**常用设置**中。不需要的打印配置文件可以随时删除。

### 注册打印配置文件

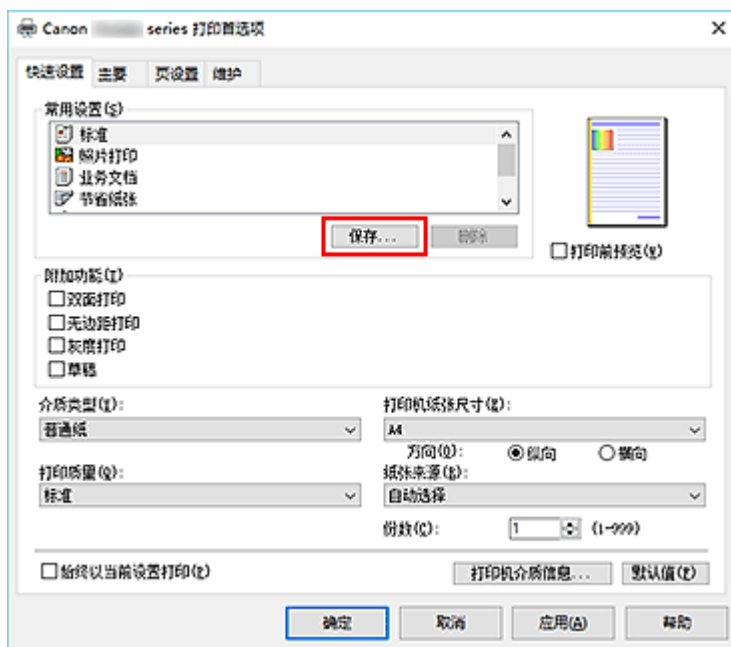
#### 1. 打开[打印机驱动程序设置窗口](#)

#### 2. 设置必要的项目

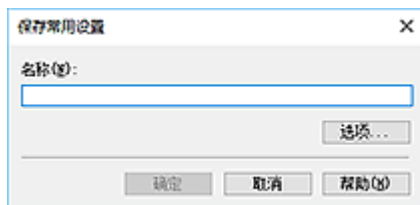
如有必要，从**快速设置**选项卡上的**常用设置**中选择要使用的打印配置文件，然后更改**附加功能**中的设置。

您也可以在**主要**和**页设置**选项卡上注册必要的项目。

#### 3. 单击**保存...**



**保存常用设置**对话框打开。



#### 4. 保存设置

在名称字段中输入名称。如有必要，单击**选项...**，设置项目，然后单击**确定**。

在**保存常用设置**对话框中，单击**确定**保存打印设置并返回**快速设置**选项卡。

名称和图标显示在**常用设置**中。

## 重要事项

- 要保存在每页中设置的页尺寸、方向和打印份数，请单击**选项...**，并选中各项。

## 注释

- 当重新安装打印机驱动程序或升级打印机驱动程序的版本时，已注册的打印设置将从**常用设置**中删除。  
不能保存和保留已注册的打印设置。如果配置文件被删除，请重新注册打印设置。

## 删除不需要的打印配置文件

### 1. 选择要删除的打印配置文件

在**快速设置**选项卡上的**常用设置**列表中选择要删除的打印配置文件。

### 2. 删除打印配置文件

单击**删除**。出现确认信息时，单击**确定**。  
将从**常用设置**列表中删除所选的打印配置文件。

## 注释

- 无法删除注册在初始设置中的打印配置文件。

## 设置要使用的墨水盒

该功能允许您根据使用需要在已安装的墨水盒中指定最合适的墨水盒。

1. 打开[打印机驱动程序设置窗口](#)
2. 单击**页设置**选项卡上的**打印选项...**  
出现**打印选项**对话框。
3. 从**用于打印的墨水**选择要使用的墨水盒  
为打印选择要使用的墨水盒并单击**确定**。
4. 单击**页设置**选项卡上的**确定**  
执行打印时，将使用指定的墨水盒。

### 重要事项

- 指定如下设置时，**仅 PGBK(黑色)**不起作用，因为打印机使用除 PGBK(黑色)以外的墨水盒打印文档。
  - 在**主要**选项卡上的**介质类型**中选择了除**普通纸**、**信封**、**Ink Jet Hagaki (A)**、**Hagaki K (A)**、**Hagaki (A)**或**Hagaki**以外的其他纸张
  - 从**页设置**选项卡上的**页面布局**列表中选择了**无边距**
- 不要取下未使用的墨水盒。当取下任一墨水盒时，将无法执行打印。

## 管理打印机电源

使用该功能可以从 Canon IJ Printer Assistant Tool 管理打印机电源。



### 电源关闭

**电源关闭**功能可以关闭打印机电源。使用该功能时，无法从 Canon IJ Printer Assistant Tool 打开打印机电源。

#### 1. 打开 Canon IJ Printer Assistant Tool

#### 2. 执行电源关

单击**电源关闭**。出现确认信息时，单击**确定**。

打印机电源关闭。



### 自动电源

利用**自动电源**可以设置**自动电源开启**和**自动电源关闭**。

**自动电源开启**功能将在接收到数据时自动打开打印机电源。

当打印机驱动程序或打印机在指定时段内未进行任何操作时，**自动电源关闭**功能将自动关闭打印机电源。

#### 1. 打开 Canon IJ Printer Assistant Tool

#### 2. 确保打印机已开启，然后单击**自动电源**

**自动电源设置**对话框打开。

#### ▶▶▶ 注释

- 如果打印机关闭或打印机与计算机之间的通讯被禁用，由于计算机无法收集打印机状态信息，可能会出现一条错误信息。  
如果发生此情况，单击**确定**可显示在计算机上新近指定的设置。

#### 3. 如有必要，完成以下设置：

##### 自动电源开启

在列表中指定**启用**将在接收到打印数据时打开打印机电源。

##### 自动电源关闭

从列表中指定时间。当打印机驱动程序或打印机在该时段内未进行任何操作时，打印机将自动关闭。

#### 4. 应用设置

单击**确定**。出现确认信息时，单击**确定**。

此后将启用设置。当想要禁用该功能时，请根据相同步骤从列表中选择**禁用**。

### ▶▶ 注释

- 当关闭打印机时，Canon IJ Status Monitor 信息将根据**自动电源开启**的设置而有所变化。当设置为**启用**时，显示“打印机处于待机状态”。当设置为**禁用**时，显示“打印机脱机”。

## 更改打印机操作模式

如有必要，可以在打印机的多种操作模式之间进行切换。



### 用户定义设置

1. 打开 Canon IJ Printer Assistant Tool
2. 确保打印机已开启，然后单击**用户定义设置**

用户定义设置对话框打开。

#### »» 注释

- 如果打印机关闭或打印机与计算机之间的通讯被禁用，由于计算机无法收集打印机状态信息，可能会出现一条错误信息。  
如果发生此情况，单击**确定**可显示在计算机上新近指定的设置。

3. 如有必要，完成以下设置：

#### 检测光盘托盘上的可打印光盘

在打印光盘标签时检测多用途托盘上是否装入了可打印光盘，如果未装入光盘则显示一条信息。

选中该复选框时，可以在打印时检测是否装入了可打印光盘。

取消选中此复选框时，则在打印时不检测是否装入了可打印光盘。

#### »» 重要事项

- 如果未选中此复选框，即使多用途托盘上没有装入可打印光盘，打印机仍可能从多用途托盘打印。因此，一般情况下，应选中此复选框。
- 如果将已有打印内容的可打印光盘装入多用途托盘，打印机可能会检测为多用途托盘中没有装入可打印光盘。在这种情况下，取消选中该复选框。

#### 防止纸张磨损

高密度打印时，打印机可以增加打印头和纸张之间的空隙以防止纸张磨损。

选中此复选框以防止纸张磨损。

#### 手动对齐打印头

通常，Canon IJ Printer Assistant Tool 中的**打印头对齐**功能已设置为自动打印头对齐，但可以将其更改为手动打印头对齐。

如果自动打印头对齐的打印结果不令人满意，请执行手动打印头对齐。

选中该复选框以执行手动打印头对齐。不选中此复选框以执行自动打印头对齐。

#### 防止卡纸

仅当 A3 普通纸经常在出纸处附近发生卡纸时，检查此项目。

#### »» 重要事项

- 使用该功能时，在 A3 普通纸上打印的时间会增加。  
同时，打印质量可能会变差。

### 当方向为[横向]时向左旋转 90 度

在**页设置**选项卡上，可以在**方向**中更改**横向**的旋转方向。

如果要在打印过程中将打印数据向左旋转 90 度，请选择该项。如果要在打印过程中将打印数据向右旋转 90 度，请清除该项。

### ▶▶▶ 重要事项

- 打印作业显示在打印等待列表中时，请勿更改该设置。否则，可能遗漏字符或破坏布局。

### 从计算机打印时不要检测纸张设置不匹配

从计算机打印文档时，打印机驱动程序上的纸张设置与打印机上注册的纸张信息不匹配，该设置禁止信息显示并允许继续打印。

要禁用纸张设置不匹配检测，请选中该复选框。

### 墨水晾干等待时间

打印下一页之前，可以设置打印机等待时间的长度。向右移动滑块将增加暂停时间，向左移动将减少暂停时间。

如果在打印页墨水晾干之前下一页已经输出从而导致纸张脏污，请增加墨水晾干等待时间。

减少墨水晾干等待时间可以加快打印速度。

## 4. 应用设置

单击**确定**，显示确认信息时，单击**确定**。

此后，打印机将按照修改后的设置运行。

## 从操作面板更改设置

---

- ▶ 从操作面板更改设置
- ▶ 操作面板上的设置项目
- ▶ 打印设置
- ▶ LAN 设置
- ▶ Bluetooth 设置
- ▶ PictBridge 设置
- ▶ 其他设备设置
- ▶ 语言选择
- ▶ 固件更新
- ▶ 重置设置
- ▶ 送纸设置
- ▶ Web 服务设置
- ▶ 环保设置
- ▶ 静音设置
- ▶ 系统信息



## 从操作面板更改设置

本节以指定**复印扩展量**的步骤为例，描述在**设备设置**屏幕中更改设置的步骤。

### 1. [确认打印机是否已开启。](#)

### 2. 在主页屏幕上选择 (设置)。

■ [使用操作面板](#)

### 3. 选择 **设备设置**。

显示**设备设置**屏幕。

### 4. 选择要调整的设置项目。



显示所选项目的设置屏幕。

### 5. 选择设置项目。



### 6. 选择要指定的设置。



有关操作面板上设置项目的更多信息，请参见：

■ [操作面板上的设置项目](#)

## 操作面板上的设置项目

---

### 针对打印机的项目

- [其他设备设置](#)
- [语言选择](#)
- [Web 服务设置](#)
- [环保设置](#)
- [静音设置](#)

### 针对纸张/打印的项目

- [打印设置](#)
- [Bluetooth 设置](#)
- [PictBridge 设置](#)
- [送纸设置](#)

### 针对维护/管理的项目

- [LAN 设置](#)
- [固件更新](#)
- [重置设置](#)
- [系统信息](#)

## 打印设置

### • 防止纸张磨损

仅在打印面出现脏污时使用此设置。

#### ▶▶▶ 重要事项

- 打印完成后务必将此设置重新设置为关，否则可能导致打印速度变慢或打印质量降低。

### • 复印扩展量

进行无边距(x1)打印时，选择图像扩展到纸张之外的扩展量。

因为复印的图像被放大到填充整个页面，可能会稍微裁剪边缘处的部分图像。可以根据需要更改要从原稿图像边缘裁剪的宽度。

#### ▶▶▶ 重要事项

- 在以下情况下可以应用此设置：
  - 执行无边距复印
  - 复印打印的照片时将**边距**选择为**无边距**

#### ▶▶▶ 注释

- 如果执行无边距打印时打印输出仍带有边距，将此设置指定为**扩展量: 大**可能有助于解决问题。

### • 调整光盘打印区域

如果图像未与可打印光盘对齐，可以调整光盘打印区域。可以在-0.9 毫米/-0.03 英寸和+0.9 毫米/+0.03 英寸之间以 0.1 毫米/0.003 英寸为增量调整打印区域。

### • 自动照片修复设置

选择**开**时，如果在使用兼容 PictBridge(Wi-Fi)的设备进行打印时选择了**默认\***或**开**，则可以选择是否使用图像文件中记录的 Exif 信息打印照片。

\* 将兼容 PictBridge(Wi-Fi)的设备中的打印设置选择为**默认**时，请在 **PictBridge 设置**中为**照片修复**选择**自动照片修复**。

### • 调整水平打印位置

调整左/右边距未对齐时的打印位置。

以纸张的水平中线为中心，以 0.1 毫米/0.01 英寸为增量在-3 毫米/-0.12 英寸和+3 毫米/+0.12 英寸之间调整左/右边距。

#### ▶▶▶ 重要事项

- 对于 Letter 尺寸或 Legal 尺寸的纸张，即使指定超过 1.5 毫米/0.06 英寸的数值，也只能在-1.5 毫米/-0.06 英寸和+1.5 毫米/+0.06 英寸之间调整左/右边距。

# LAN 设置

- [Wi-Fi](#)
- [无线直连](#)
- [有线 LAN](#)

## Wi-Fi

在 **LAN 设置** 屏幕中选择 **Wi-Fi** 时，**Wi-Fi 设置列表** 屏幕中会出现通过 Wi-Fi 连接的打印机的网络设置信息。

要打印 LAN 设置，请在 **LAN 设置** 屏幕中选择 **打印详细信息**，然后选择 **是**。

### ■ [打印网络设置](#)

### ▶▶▶ 重要事项

- 此网络设置打印输出包含关于网络的重要信息。请小心处理。

显示以下设置项目。(根据打印机设置，某些设置项目不会显示。)

项目	设置
连接	已启用(连接时)/已启用(断开连接时)/已禁用
网络名称(SSID)	XXXXXXXXXXXXXXXXXX XXXXXXXXXXXXXXXXXX(最多 32 个字符)
Wi-Fi 安全	停用/WEP(64 位)/WEP(128 位)/WPA-PSK(TKIP)/WPA-PSK(AES)/ WPA2-PSK(TKIP)/WPA2-PSK(AES)
信号强度(%)	XXX
IPv4 地址	XXX.XXX.XXX.XXX(12 个字符)
IPv4 子网掩码	XXX.XXX.XXX.XXX(12 个字符)
IPv4 默认网关	XXX.XXX.XXX.XXX(12 个字符)
IPv6 本地链路地址	XXXX:XXXX:XXXX:XXXX: XXXX:XXXX:XXXX:XXXX(32 个字符)
MAC 地址(Wi-Fi)	XXX.XXX.XXX.XXX(12 个字符)
打印机名称	XXXXXXXXXXXXXXXXXX(最多 15 个字符)
Bonjour 服务名称	XXXXXXXXXXXXXXXXXX XXXXXXXXXXXXXXXXXX XXXXXXXXXXXXXXXXXX XXXXXXXXXXXXXXXXXX(最多 52 个字符)

(“XX”表示字母数字字符。)

如果在 **Wi-Fi 设置列表** 屏幕中选择了 **设置**，则可以使用以下设置。

- **启用/禁用 Wi-Fi**  
启用/禁用 Wi-Fi。

## • Wi-Fi 设置

选择 Wi-Fi 连接的设置方法。

### ◦ 简易无线连接

如果不操作无线路由器而从设备(例如智能手机或平板电脑)直接对打印机进行访问点信息设置, 请选择此项。按照连接设备屏幕上的说明执行设置步骤。

### ◦ 手动连接

使用打印机的操作面板手动执行 Wi-Fi 设置时选择。

### ◦ WPS(单键方法)

使用支持 Wi-Fi Protected Setup(WPS)单键方法的无线路由器执行 Wi-Fi 设置时选择该方法。设置时请按照屏幕上的说明进行操作。

### ◦ 其他连接类型

#### ■ 手动连接(高级设置)

手动执行 Wi-Fi 设置时选择该方法。可以指定多个 WEP 密钥。

#### ■ WPS(PIN 编码方法)

使用支持 Wi-Fi Protected Setup(WPS)PIN 编码方法的无线路由器执行 Wi-Fi 设置时选择该方法。设置时请按照屏幕上的说明进行操作。

## • 高级设置

有关各设置项目的详细资料:

### ■ [高级设置](#)

## 无线直连

在 LAN 设置屏幕中选择无线直连时, 无线直连设置列表屏幕中会出现通过无线直连连接的打印机的网络设置信息。

要打印 LAN 设置, 请在 LAN 设置屏幕中选择打印详细信息, 然后选择是。

### ■ [打印网络设置](#)

## 重要事项

- 此网络设置打印输出包含关于网络的重要信息。请小心处理。

显示以下设置项目。(根据打印机设置, 某些设置项目不会显示。)

## 注释

- 要显示或隐藏密码, 请在无线直连设置列表屏幕中选择显示密码/隐藏密码。

项目	设置
连接	已启用(连接时)/已禁用
网络名称(SSID)/设备名称	DIRECT-XXXX-TS9580series
密码	XXXXXXXXXX(10 个字符)
Wi-Fi 安全	WPA2-PSK(AES)

现在连接的设备数量	XX/XX
IPv4 地址	XXX. XXX. XXX. XXX(12 个字符)
IPv4 子网掩码	XXX. XXX. XXX. XXX(12 个字符)
IPv4 默认网关	XXX. XXX. XXX. XXX(12 个字符)
IPv6 本地链路地址	XXXX: XXXX: XXXX: XXXX: XXXX: XXXX: XXXX: XXXX(32 个字符)
MAC 地址(Wi-Fi)	XX: XX: XX: XX: XX: XX(12 个字符)
打印机名称	XXXXXXXXXXXXXXXXXX(最多 15 个字符)
Bonjour 服务名称	XXXXXXXXXXXXXXXXXX XXXXXXXXXXXXXXXXXX XXXXXXXXXXXXXXXXXX XXXXXXXXXXXXXXXXXX(最多 52 个字符)

(“XX”表示字母数字字符。)

如果在**无线直连设置列表**屏幕中选择了**设置**，则可以使用以下设置。

- **启用/禁用无线直连**

启用/禁用无线直连。

- **更改 SSID/设备名称**

更改无线直连的标识符(SSID/在兼容 Wi-Fi Direct 的设备上显示的打印机名称)。

- **更改密码**

更改无线直连的密码。

- **确认连接请求**

兼容 Wi-Fi Direct 的设备连接打印机时，选择**是**将显示确认屏幕。

- **高级设置**

有关各设置项目的详细资料：

- [高级设置](#)

## 有线 LAN

在**LAN 设置**屏幕中选择**有线 LAN**时，**有线 LAN 设置列表**屏幕中会出现通过有线 LAN 连接的打印机的网络设置信息。

要打印 LAN 设置，请在**LAN 设置**屏幕中选择**打印详细信息**，然后选择**是**。

- [打印网络设置](#)

### 重要事项

- 此网络设置打印输出包含关于网络的重要信息。请小心处理。

显示以下设置项目。(根据打印机设置，某些设置项目不会显示。)

项目	设置
----	----

连接	已启用(连接时)/已启用(断开连接时)/已禁用
IPv4 地址	XXX. XXX. XXX. XXX(12 个字符)
IPv4 子网掩码	XXX. XXX. XXX. XXX(12 个字符)
IPv4 默认网关	XXX. XXX. XXX. XXX(12 个字符)
IPv6 本地链路地址	XXXX: XXXX: XXXX: XXXX: XXXX: XXXX: XXXX: XXXX(32 个字符)
MAC 地址(有线 LAN)	XX:XX:XX:XX:XX:XX(12 个字符)
打印机名称	XXXXXXXXXXXXXXXXXX(最多 15 个字符)
Bonjour 服务名称	XXXXXXXXXXXXXXXXXX XXXXXXXXXXXXXXXXXX XXXXXXXXXXXXXXXXXX XXXXXXXXXXXXXXXXXX(最多 52 个字符)

(“XX”表示字母数字字符。)

如果在**有线 LAN 设置列表**屏幕中选择了**设置**，则可以使用以下设置。

- **启用/禁用有线 LAN**

启用/禁用有线 LAN。

- **高级设置**

有关各设置项目的详细资料：

- [高级设置](#)

## 高级设置

- **设置打印机名称**

指定打印机名称。该名称最多可以使用 15 个字符。

### ▶▶▶ 注释

- 不能使用与 LAN 连接的其他设备已使用的打印机名称相同的名称。
- 不能使用连字符作为打印机名称的首字符或最后一个字符。

- **TCP/IP 设置**

执行 IPv4 或 IPv6 设置。

- **WSD 设置**

在使用 WSD(Windows 环境下支持的网络协议之一)时的设置项目。

- **启用/禁用 WSD**

选择启用或禁用 WSD。

### ▶▶▶ 注释

- 启用此设置时，Windows 环境下的网络浏览器上会显示打印机图标。

- **优化入站 WSD**



选择**启用**可以更快地接收 WSD 打印数据。

- **从本设备进行 WSD 扫描**

选择**启用**可以使用 WSD 将扫描的数据传送到计算机。要传输扫描数据，点击**彩色**。

▶▶▶ **注释**

- 使用 WSD 将扫描的数据转发到搜索到的计算机时，无法选择文档类型。

- **超时设置**

指定超时时间。

- **Bonjour 设置**

使用 macOS Bonjour 的 LAN 设置项目。

- **启用/禁用 Bonjour**

选择**启用**可以使用 Bonjour 执行网络设置。

- **服务名称**

指定 Bonjour 服务名称。该名称最多可以使用 48 个字符。

▶▶▶ **注释**

- 不能使用与 LAN 连接的其他设备已使用的服务名称相同的名称。

- **LPR 协议设置**

启用/禁用 LPR 设置。

- **RAW 协议**

启用/禁用 RAW 打印。

- **LLMNR**

启用/禁用 LLMNR(链路本地多播名称解析)。选择**启用**可使打印机通过打印机名称检测到打印机的 IP 地址，而无需 DNS 服务器。

- **IPP 设置**

选择**启用**可以使用 IPP 协议通过网络进行打印。

- **PictBridge 通讯**

从兼容 PictBridge(Wi-Fi)的设备设置打印项目。

- **启用/禁用通讯**

选择**启用**可以从兼容 PictBridge(Wi-Fi)的设备进行打印。

- **超时设置**

指定超时时间。

- **有线 LAN 间歇接收设置**

将打印机连接至与有线 LAN 兼容的设备时，选择**启用**可以激活间歇接收。

- **IPsec 设置**

选择**启用**可以指定 IPsec 安全。

## 其他设备设置

### • 日期显示格式

更改打印时日期的显示格式。

#### ▶▶▶ 注释

- 从存储卡打印且在打印设置屏幕上将**打印日期**选择为**开**时，会按照所选日期显示格式打印日期。

■ [使用操作面板设置照片打印的项目](#)

### • 读/写属性

选择是否允许将数据从计算机写入存储卡。

#### ▶▶▶ 重要事项

- 更改此设置前，请取出存储卡。
  - 将存储卡插槽设置为计算机的存储卡驱动器
- 如果将该设置设置为**从 USB 连接计算机可写**，则无法使用打印机的操作面板打印存储卡上的照片。完成对存储卡专用驱动器的操作之后，请务必将此设置恢复为**从计算机不可写**。关闭打印机后，**从 USB 连接计算机可写**将被取消，并且下次开启打印机时该设置将恢复为**从计算机不可写**。
- 选择**从 USB 连接计算机可写**时，不启用自动电源关闭设置。

有关自动电源关闭设置的更多信息，请参见：

■ [环保设置](#)

### • 声音控制

选择音量。

#### ◦ 键盘音量

选择点击操作面板上的触摸屏或按钮时发出的哔声音量。

#### ◦ 警告音量

选择警告音量。

### • 节能设置

可以自动开启/关闭打印机以节省电量。

#### ◦ 自动电源关闭

指定打印机在多长时间未执行任何操作或无打印数据发送到打印机时自动关闭。

#### ◦ 自动电源开启

选择**开**可以使打印机在有来自计算机的扫描命令或打印数据发送至打印机时自动开启。

#### ▶▶▶ 注释

- 也可以通过依次选择主页屏幕上的  (设置)、**环保**和**节能设置**来选择此设置。

■ [环保设置](#)

- **文档取出提醒**

选择打印机是否显示提示屏幕，以防止扫描后忘记从稿台玻璃上取下原稿。

**»» 重要事项**

- 根据原稿类型或文档盖板状态的不同，可能无法检测是否忘记取下原稿。

## 语言选择

---

更改触摸屏上信息和菜单的语言。

## 固件更新

可以更新打印机的固件、检查固件版本或执行通知屏幕、DNS 服务器和代理服务器的设置。

### 重要事项

- 使用此功能时，确保打印机已连接到互联网。

### 注释

- 仅在 LAN 设置中为 Wi-Fi 的启用/禁用 Wi-Fi 以及有线 LAN 的启用/禁用有线 LAN 选择禁用时，检查当前版本才可用。

#### • 安装更新

执行打印机的固件更新。如果选择**是**，固件更新开始。按照屏幕上的说明来执行更新。

### 注释

- 如果固件更新未完成，请检查以下各项并采取适当措施。
  - 检查网络设置。
  - 如果触摸屏上显示“无法连接至服务器。”，请选择 **OK**，然后过一段时间后重试。

#### • 检查当前版本

可以检查当前固件版本。

#### • 更新通知设置

选择**是**且固件更新可用时，触摸屏上会显示提示固件更新的屏幕。

#### • DNS 服务器设置

执行 DNS 服务器设置。选择**自动设置**或**手动设置**。如果选择**手动设置**，按照触摸屏上的显示执行设置。

#### • 代理服务器设置

执行代理服务器设置。按照触摸屏上的显示执行设置。

## 重置设置

可以将设置恢复为默认值。

- **仅 Web 服务设置**

将 Web 服务设置恢复为默认值。

- **仅 LAN 设置**

将 LAN 设置恢复为默认值。

- **仅设置**

将纸张尺寸或介质类型的设置恢复为默认值。

- **全部重置**

将对打印机进行的全部设置设定为默认设置。远程用户界面或 IJ Network Device Setup Utility 指定的管理员密码恢复为默认设置。

### ▶▶▶ 注释

- 无法将以下设置项目恢复为默认值：
  - 触摸屏上显示的语言
  - 打印头的当前位置
  - 用于加密方法(SSL/TLS)设置的 CSR(证书签名请求)

## 送纸设置

通过注册装入后端托盘或纸盒的纸张尺寸和介质类型，可以在装入纸张的尺寸或介质类型与打印设置不同时先显示信息然后再开始打印，从而防止打印机误打印。

有关详细资料：

### ■ [纸张设置](#)

### ▶▶▶ 注释

- 有关可以通过打印机驱动程序(Windows)或在触摸屏上指定的正确纸张设置组合的更多信息，请参见：

- [打印机驱动程序和打印机上的纸张设置\(介质类型\)](#)

- [打印机驱动程序和打印机上的纸张设置\(纸张尺寸\)](#)

#### • 后端托盘纸张设置

注册装入后端托盘中的纸张尺寸和介质类型。

#### • 纸盒纸张设置

注册装入纸盒中的纸张尺寸和介质类型。

### ▶▶▶ 注释

- 纸盒中仅可装入普通纸。

#### • 检测纸张设置不匹配

如果选择**启用**，打印机检测纸张尺寸和介质类型是否与**进纸设置**中注册的信息一致。如果使用不匹配的设置开始打印，触摸屏屏幕上会显示错误信息。

### ▶▶▶ 注释

- 选择**禁用**时，将禁用**进纸设置**中的设置。

## Web 服务设置

从  (设置) 中的  **Web 服务设置** 选择此设置项目。

- **注册 Web 服务使用/注销 Web 服务使用**

注册/删除使用 Web 服务信息以使用来自或发送给 PIXMA/MAXIFY Cloud Link 的打印机设备信息。

- **Web 服务连接设置**

如下设置选项可用。

- **Google Cloud Print 设置**

在 Google Cloud Print 注册/删除打印机。

- **IJ Cloud Printing Center 设置**

在 Canon Inkjet Cloud Printing Center 注册/删除打印机。

- **检查 Web 服务设置**

确认打印机是否已注册到 Google Cloud Print 或 Canon Inkjet Cloud Printing Center。

- **DNS 服务器设置**

执行 DNS 服务器设置。选择 **自动设置** 或 **手动设置**。如果选择 **手动设置**，按照触摸屏上的显示执行设置。

- **代理服务器设置**

执行代理服务器设置。按照触摸屏上的显示执行设置。



## 环保设置

此设置可以将自动双面打印作为默认设置使用以节省纸张，并且可以自动开启/关闭打印机以节省电量。


■ [使用节能功能](#)

■ [使用双面打印](#)

### 使用节能功能

请按照以下步骤使用节能功能。

1. [确认打印机是否已开启。](#)

2. 在主页屏幕上选择  (设置)。

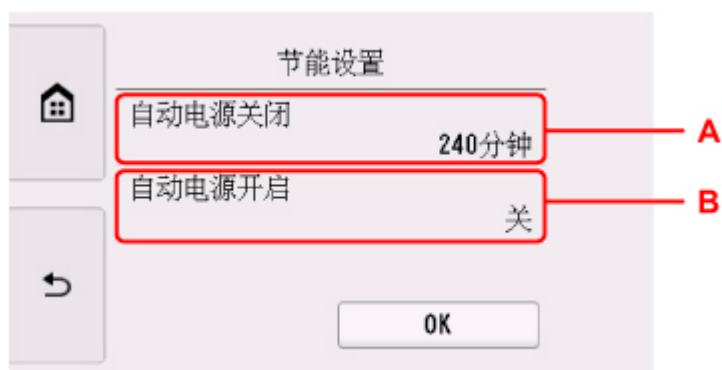
■ [使用操作面板](#)

3. 选择  环保。

4. 选择节能设置。

5. 检查屏幕上的说明，然后选择下一步。

6. 根据需要指定设置。




A: 指定打印机在多长时间未执行任何操作或无打印数据发送到打印机时自动关闭。

B: 选择开可以使打印机在有来自计算机的扫描命令或打印数据发送至打印机时自动开启。

### 使用双面打印

请按照以下步骤使用双面打印。

1. [确认打印机是否已开启。](#)

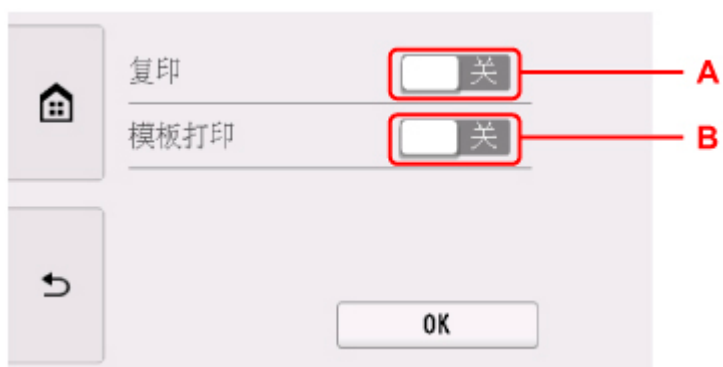
2. 在主页屏幕上选择  (设置)。

■ [使用操作面板](#)

3. 选择  环保。

4. 选择**双面打印设置**。


5. 根据需要指定设置。



A: 将双面复印选择为默认设置。

B: 在打印机上将双面打印模板样表选择为默认设置。

#### »» 注释

- 选择双面打印时,  图标显示在各打印设置屏幕的双面打印设置项目上。

## 静音设置

如果想降低工作噪音，例如在夜间打印时，请启用打印机的此项功能。

请按照以下步骤执行设置。


### 1. [确认打印机是否已开启。](#)

### 2. 在主页屏幕上选择 (设置)。

■ [使用操作面板](#)

### 3. 选择 静音设置。

### 4. 选择使用静音模式。

显示确认屏幕，并且  图标会作为**静音设置**菜单图标出现。

激活此设置以降低打印过程中的工作噪音。

## 重要事项

- 与选择不使用**静音模式**时相比，操作速度可能有所降低。
- 根据打印机设置，此项功能可能不会特别有效。此外，某些噪音(例如打印机准备打印所产生的噪音)不会降低。

## 注释

- 可以从打印机的操作面板或打印机驱动程序设置静音模式。无论如何设置静音模式，从打印机操作面板执行操作或从计算机打印和扫描时，均应用此模式。
- 对于 Windows，可以从 ScanGear(扫描仪驱动程序)设置静音模式。

## 系统信息



要显示此菜单，请选择 (提示) 中的 **系统信息**。

- **当前版本**

显示当前固件版本。

- **打印机名称**

显示当前指定的打印机名称。

- **序列号**

显示打印机序列号。

- **MAC 地址(Wi-Fi)**

显示 Wi-Fi 的 MAC 地址。

- **MAC 地址(有线 LAN)**

显示有线 LAN 的 MAC 地址。

- **根证书指纹(SHA-1)**

显示打印机的根证书指纹(SHA-1)。

### »» 注释

- 如果为打印机设置了密码，则可能会需要该密码。

- **根证书指纹(SHA-256)**

显示打印机的根证书指纹(SHA-256)。

### »» 注释

- 如果为打印机设置了密码，则可能会需要该密码。

## 规格

### 一般规格

打印分辨率(dpi)	4800*(水平) x 1200(垂直) * 墨滴最小间距为 1/4800 英寸。
接口	<b>USB 端口:</b> Hi-Speed USB * <b>LAN 端口:</b> 有线 LAN: 100BASE-TX / 10BASE-T Wi-Fi: IEEE802.11n / IEEE802.11g / IEEE802.11b <b>存储卡插槽:</b> 是 * 需要使用符合 Hi-Speed USB 标准的计算机。由于 Hi-Speed USB 接口与 USB 1.1 完全向上兼容, 因此可以用于 USB 1.1。  可以同时使用 USB 和 LAN。 无法同时使用 Wi-Fi 和有线 LAN。
打印宽度	298.0 毫米/11.74 英寸 (对于无边距打印: 304.8 毫米/12.00 英寸)
可打印区域	<b>无边距打印:</b> 上/下/左/右的边距: 0.0 毫米(0.0 英寸) <b>标准打印:</b> <ul style="list-style-type: none"><li>• 上边距:<ul style="list-style-type: none"><li>◦ 正方形 10x10cm 4"x4": 5.0 毫米(0.20 英寸)</li><li>◦ 正方形 13x13cm 5"x5": 6.0 毫米(0.24 英寸)</li><li>◦ 其他尺寸: 3.0 毫米(0.12 英寸)</li></ul></li><li>• 下边距:<ul style="list-style-type: none"><li>◦ 正方形 10x10cm 4"x4": 5.0 毫米(0.20 英寸)</li><li>◦ 正方形 13x13cm 5"x5": 6.0 毫米(0.24 英寸)</li><li>◦ 其他尺寸: 5.0 毫米(0.20 英寸)</li></ul></li><li>• 左边距:<ul style="list-style-type: none"><li>◦ Letter/Legal: 6.4 毫米(0.26 英寸)</li><li>◦ 正方形 10x10cm 4"x4": 5.0 毫米(0.20 英寸)</li><li>◦ 正方形 13x13cm 5"x5": 6.0 毫米(0.24 英寸)</li><li>◦ 其他尺寸: 3.4 毫米(0.14 英寸)</li></ul></li><li>• 右边距:<ul style="list-style-type: none"><li>◦ Letter/Legal: 6.3 毫米(0.25 英寸)</li><li>◦ 正方形 10x10cm 4"x4": 5.0 毫米(0.20 英寸)</li></ul></li></ul>

	<ul style="list-style-type: none"> <li>◦ 正方形 13x13cm 5"x5": 6.0 毫米(0.24 英寸)</li> <li>◦ 其他尺寸: 3.4 毫米(0.14 英寸)</li> </ul> <p>* 有关信封的可打印区域, 请参见以下内容。</p> <p>■ 信封</p> <p><b>自动双面打印:</b></p> <ul style="list-style-type: none"> <li>• 上边距: 5.0 毫米(0.20 英寸)</li> <li>• 下边距: 5.0 毫米(0.20 英寸)</li> <li>• 左边距: <ul style="list-style-type: none"> <li>◦ Letter: 6.4 毫米(0.26 英寸)</li> <li>◦ 其他尺寸: 3.4 毫米(0.14 英寸)</li> </ul> </li> <li>• 右边距: <ul style="list-style-type: none"> <li>◦ Letter: 6.3 毫米(0.25 英寸)</li> <li>◦ 其他尺寸: 3.4 毫米(0.14 英寸)</li> </ul> </li> </ul>
<b>操作环境</b>	<p><b>温度:</b> 5 到 35°C(41 到 95°F)</p> <p><b>湿度:</b> 10 到 90%RH(无结露)</p> <p>* 在一定温度和湿度条件下, 打印机的性能可能会有所降低。</p> <p>推荐条件:</p> <p><b>温度:</b> 15 到 30°C(59 到 86°F)</p> <p><b>湿度:</b> 10 到 80%RH(无结露)</p> <p>* 有关纸张(如照片纸)的温度和湿度状况, 请参阅纸张的包装或附带的说明。</p>
<b>存储环境</b>	<p><b>温度:</b> 0 到 40°C(32 到 104°F)</p> <p><b>湿度:</b> 5 到 95%RH(无结露)</p>
<b>电源供应</b>	<p>AC 100-240V, 50/60Hz</p> <p>(附带的电源线仅适用于产品销售的国家和地区。)</p>
<b>耗电功率</b>	<p><b>打印(复印):</b> 14W 或更小 *1</p> <p><b>待机(最小):</b> 1.2W 或更小 *1*2</p> <p><b>关:</b> 0.3W 或更小</p> <p>*1 USB 连接至计算机</p> <p>*2 无法更改待机等待时间。</p>
<b>外部尺寸</b>	<p>约 468(宽) x 366(深) x 193(高)毫米</p> <p>约 18.5(宽) x 14.5(深) x 7.6(高)英寸</p> <p>* 纸盒和托盘收回时。</p>
<b>重量</b>	<p>约 9.7 千克(约 21.3 磅)</p> <p>* 安装有打印头和墨水盒的状态下。</p>
<b>打印头/墨水</b>	<p>共 4096 个喷嘴(PgBK 1024 个喷嘴、Y/DyeBK 各 512 个喷嘴、C/M 各 1024 个喷嘴)</p>

自动输稿器容量	<b>A4 或 Letter 尺寸:</b> 最多 20 张(75g /m <sup>2</sup> /20 磅的纸张), 高度不超过 2 毫米/0.08 英寸 <b>Legal 尺寸:</b> 最多 5 张(75g /m <sup>2</sup> /20 磅的纸张), 高度不超过 0.5 毫米/0.02 英寸
---------	---

## 复印规格

多页复印	最多 99 页
浓度调整	9 个级别, 自动浓度(AE 复印)
缩小 / 放大	25% - 400%(以 1%为单位)

## 扫描规格

扫描仪驱动程序	<b>Windows:</b> TWAIN 1.9 规格、WIA
最大扫描尺寸	A4/Letter, 216 x 297 毫米/8.5" x 11.7"
光学分辨率(水平 x 垂直)	1200 x 2400dpi * * 光学分辨率表示基于 ISO 14473 的最大采样率。
色阶(输入 / 输出)	<b>灰度:</b> 16 位/8 位 <b>彩色:</b> RGB 各 16 位/8 位

## 网络规格

通讯协议	TCP/IP
有线 LAN	<b>支持的标准:</b> IEEE802.3u(100BASE-TX) / IEEE802.3(10BASE-T) <b>传送速度:</b> 10M/100Mbps(自动转换)
Wi-Fi	<b>支持的标准:</b> IEEE802.11n / IEEE802.11g / IEEE802.11b <b>频率频宽:</b> 2.4GHz <b>通道:</b> 1-11 或 1-13 * 根据国家或地区, 频率频宽和可用通道有所不同。 <b>通讯距离:</b> 室内 50 米/164 英尺 * 根据安装环境和位置, 有效范围有所不同。 <b>安全:</b> WEP(64/128 位) WPA-PSK(TKIP/AES) WPA2-PSK(TKIP/AES) <b>设置:</b> WPS(单键加密/PIN 编码方法) WCN(WCN-NET) 简易无线连接

## 最低系统要求

如果所用操作系统高于此要求，即符合操作系统的要求。

### Windows

操作系统	Windows 10、Windows 8.1、Windows 7 SP1 注释：只有在预先安装了 Windows 7 或更高版本的计算机上才能保证正常工作。
硬盘空间	3.0GB 或更大 注释：用于安装随附软件。
显示器	XGA 1024 x 768

### macOS

操作系统	OS X 10.10.5 - OS X 10.11、macOS 10.12 - macOS 10.13
硬盘空间	1.5GB 或更大 注释：用于安装随附软件。
显示器	XGA 1024 x 768

### 其他支持的操作系统

iOS、Android、Windows 10 Mobile  
某些功能在支持的操作系统上可能无法使用。  
有关详细资料，请参阅 Canon 网站。

### 移动打印功能

Apple AirPrint
Google Cloud Print
PIXMA Cloud Link
Windows 10 Mobile Print
Mopria Print Service

- 在 Windows 上安装软件需要连接互联网或使用光盘驱动器。
- 使用 Easy-WebPrint EX 和/或 Easy-PhotoPrint Editor 和所有用户指南需要连接互联网。
- Easy-WebPrint EX：需要 Internet Explorer 8、9、10 和 11(适用于 Windows)。
- Windows：某些功能可能不适用于 Windows Media Center。



- Windows: TWAIN 驱动程序(ScanGear)基于 TWAIN 1.9 规格且需要使用操作系统随附的数据源管理员。
- macOS: 对于 macOS, 软件安装时需要连接互联网。
- 在室内网络环境下, 必须打开 5222 端口。有关详细资料, 请联系网络管理员。

## 纸张相关信息

---

- ▶ 支持的介质类型
  - 纸张装入限量
- ▶ 不支持的介质类型
- ▶ 处理纸张

## 支持的介质类型

为获得最佳效果，请选择针对您的打印方式设计的纸张。Canon 提供适合文档以及照片或插图的各种类型的纸张。请尽可能使用 Canon 原装纸张打印重要照片。

### 介质类型

#### Canon 原装纸张

##### »» 注释

- 有关使用不可打印面的警告，请参见每个产品的使用信息。
- 有关页尺寸和介质类型的详细资料，请访问 Canon 网站。
- 某些国家/地区可能不提供 Canon 原装纸张。请注意，在美国，Canon 纸张不按型号销售。请按名称购买纸张。

#### 用于打印文档的纸张：

- Canon Red Label Superior <WOP111>
- Canon Océ Office Colour Paper <SAT213>
- 高分辨率纸 <HR-101N>[\\*1](#)

#### 用于打印照片的纸张：

- 优质专业照片纸 <PT-101>
- 光面照相纸"Everyday Use" <GP-501/GP-508>
- 光面照相纸 <GP-701>
- 高级光面照片纸 II <PP-201/PP-301>
- 高级光面照片纸 II <PP-208>
- 专业绒面照片纸 <LU-101>
- 亚高光泽照片纸 <SG-201>
- 无光泽照片纸 <MP-101>

#### 用于创建自己的打印件的纸张：

- Photo Stickers (16 stickers per sheet) <PS-108>
- Removable Photo Stickers <PS-308R>
- Photo Stickers (Free Cutting) <PS-208>
- Photo Stickers (Variety Pack) <PS-808>
- Magnetic Photo Paper <PS-508>

#### 除 Canon 原装纸张以外的纸张

- 普通纸(包括再生纸)

- 信封\*1
- T 恤转印介质\*1
- 贺卡\*1
- 卡片纸\*1

\*1 不支持从操作面板或兼容 PictBridge(Wi-Fi)的设备打印该纸张。

■ [纸张装入限量](#)

■ [打印机驱动程序和打印机上的纸张设置\(介质类型\)](#) (Windows)

### ▶▶▶ 注释

- 打印保存在兼容 PictBridge(Wi-Fi)的设备中的照片时，必须指定页尺寸和介质类型。
  - 从数码相机打印

## ■ 页尺寸

可以使用以下页尺寸。

### ▶▶▶ 注释

- 根据使用的操作系统，打印机支持的页尺寸和介质类型会有所不同。

#### 标准尺寸：

- Letter
- Legal
- 28x43cm(11"x17")
- A5
- A4
- A3
- B5
- KG/10x15cm(4"x6")
- 13x18 厘米(5"x7")
- 18x25cm(7"x10")
- 20x25cm(8"x10")
- 25x30cm(10"x12")
- L(89x127mm)
- 2L(127x178mm)
- 正方形 10cm
- 正方形 13cm
- 30x30cm(12"x12")
- Hagaki
- Hagaki 2

- 信封 Com 10
- 信封 DL
- Nagagata 3
- Nagagata 4
- Yougata 4
- Yougata 6
- Card 55x91mm

### 特殊尺寸

特殊页尺寸必须在以下范围内：

- 后端托盘
  - 最小尺寸：55.0 x 89.0 毫米(2.17 x 3.51 英寸)
  - 最大尺寸：215.9 x 676.0 毫米(8.50 x 26.61 英寸)
- 纸盒
  - 最小尺寸：148.0 x 210.0 毫米(5.83 x 8.27 英寸)
  - 最大尺寸：215.9 x 297.0 毫米(8.50 x 11.69 英寸)

### 纸张重量

可以使用以下重量范围内的纸张。

- 64 到 105g /m<sup>2</sup>(17 到 28 磅)(除 Canon 原装纸张以外的普通纸)

## 纸张装入限量

### 原装 Canon 纸张

用于打印文档的纸张：

介质名称<型号>	后端托盘	纸盒	出纸托盘
Canon Red Label Superior <WOP111>	约 100 张	约 100 张	约 50 张
Canon Océ Office Colour Paper <SAT213>	约 80 张	约 80 张	约 50 张
高分辨率纸 <HR-101N>*1	约 80 张(B4: 50 张, A3: 20 张)	N/A	约 20 张

用于打印照片的纸张：

介质名称<型号>	后端托盘	出纸托盘
优质专业照片纸 <PT-101>*2	A4、Letter、A3、20 x 25 厘米(8" x 10")：10 张 10 x 15 厘米(4" x 6")：20 张 25 x 30 厘米(10" x 12")：1 张	*3
光面照相纸"Everyday Use" <GP-501/GP-508>*2	A4、Letter、A3：10 张 10 x 15 厘米(4" x 6")：20 张	*3
光面照相纸 <GP-701>*2	A4、Letter、A3：10 张 10 x 15 厘米(4" x 6")：20 张	*3
高级光面照片纸 II <PP-201/PP-301>*2	A4、Letter、A3、13 x 18 厘米(5" x 7")、20 x 25 厘米(8" x 10")：10 张 10 x 15 厘米(4" x 6")、正方形 10x10cm 4"x4"、正方形 13x13cm 5"x5"：20 张	*3
高级光面照片纸 II <PP-208>*2	A4：10 张 10 x 15 厘米(4" x 6")：20 张	*3
专业绒面照片纸 <LU-101>*2	A4、Letter、A3：10 张	*3
亚高光泽照片纸 <SG-201>*2	A4、Letter、A3、13 x 18 厘米(5" x 7")、20 x 25 厘米(8" x 10")：10 张 10 x 15 厘米(4" x 6")：20 张 25 x 30 厘米(10" x 12")：1 张	*3
无光泽照片纸 <MP-101>	A4、Letter、A3：10 张 10 x 15 厘米(4" x 6")：20 张	*3

## 用于创建自己的打印件的纸张：

介质名称 <型号>	后端托盘	出纸托盘
Photo Stickers (16 stickers per sheet) <PS-108>	1 张	<a href="#">*3</a>
Removable Photo Stickers <PS-308R>	1 张	<a href="#">*3</a>
Photo Stickers (Free Cutting) <PS-208>	1 张	<a href="#">*3</a>
Photo Stickers (Variety Pack) <PS-808>	1 张	<a href="#">*3</a>
Magnetic Photo Paper <PS-508>	1 张	<a href="#">*3</a>

## 除 Canon 原装纸张以外的纸张

通用名称	后端托盘	纸盒	出纸托盘
普通纸(包括再生纸) <a href="#">*1</a>	约 100 张 [Legal、28 x 43 厘米(11" x 17")、A3、B4: 50 张]	约 100 张	约 50 张 [Legal、28 x 43 厘米(11" x 17")、A3、B4: 10 张]
信封	10 个信封	N/A	<a href="#">*3</a>
T 恤转印介质	A4: 1 张	N/A	<a href="#">*3</a>
贺卡	Letter、18 x 25 厘米(7" x 10"): 1 张	N/A	<a href="#">*3</a>
卡片纸	A4、Letter、30 x 30 厘米(12" x 12"): 1 张	N/A	<a href="#">*3</a>

\*1 对于某些纸张类型或者在很高或很低的温度或湿度下，纸张可能无法以最大容量正常送入。在这种情况下，请装入一半或更少的纸张数。

\*2 装入整叠纸张时，送入纸张时可能会在打印面上留下标记或影响送纸效率。在这种情况下，一次装入一张纸。

\*3 为在连续打印时获得最佳效果，请从出纸托盘中取出已打印的纸张或信封，以免弄脏或变色。

## 不支持的介质类型

---

请勿使用以下类型的纸张。使用此类纸张不但打印效果不理想，还会造成打印机卡纸或无法正常工作。

- 折叠的纸张、卷曲的纸张或皱褶的纸张
- 受潮的纸张
- 过薄的纸张[重量少于 64g /m<sup>2</sup>(17 磅)]
- 过厚的纸张[重量超过 105g /m<sup>2</sup>(28 磅)的普通纸，Canon 原装纸张除外]
- 比明信片更薄的纸张，包括剪切为小尺寸的普通纸或记事本纸张(在小于 A5 的纸张上打印时)
- 图片明信片
- 明信片
- 双盖舌的信封
- 有凹凸花纹或表面经过处理的信封
- 涂胶盖舌已潮湿并具有粘性的信封
- 任何类型有孔的纸张
- 非长方形纸张
- 使用钉书钉或胶水等装订的纸张
- 背面具有粘性的纸张(如标签)
- 装饰有发光物等的纸张

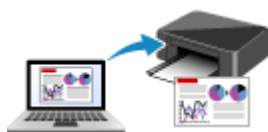


## 处理纸张

---

- 处理任何类型的纸张时，请小心不要磨擦或划伤其表面。
- 尽可能靠近纸张的边缘握住纸张，尽量不要触摸打印面。如果打印面被手上的汗渍或油渍弄脏，可能会降低打印质量。
- 在墨水干透前，请勿触摸打印面。即使墨水已干透，在处理时也请小心尽量不要触摸打印面。由于颜料墨水的特性，打印面上的墨水在受到摩擦或刮擦时可能会脱落。
- 打印前仅从包装中取出所需数量的纸张。
- 为避免卷曲，请在不打印时将未用完的纸张放回包装并将其水平放置保存。存放时也要避免高温、潮湿和阳光直射。

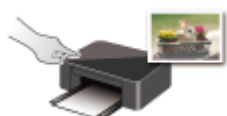
# 打印



从计算机打印



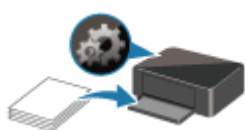
从智能手机/平板电脑打印



使用操作面板打印



从数码相机打印



纸张设置


## 从计算机打印

---

- ▶ 从应用程序软件打印(Windows 打印机驱动程序)
- ▶ 从应用程序软件打印 (macOS AirPrint)
- ▶ 使用 Canon 应用程序软件打印
- ▶ 使用 Web 服务打印

## 从应用程序软件打印(Windows 打印机驱动程序)

---

- ▶ 基本打印设置  基本
- ▶ 多种打印方法
- ▶ 更改打印质量及修正图像数据
- ▶ 打印机驱动程序概述
- ▶ 打印机驱动程序的说明
- ▶ 更新 MP Drivers

## 基本打印设置

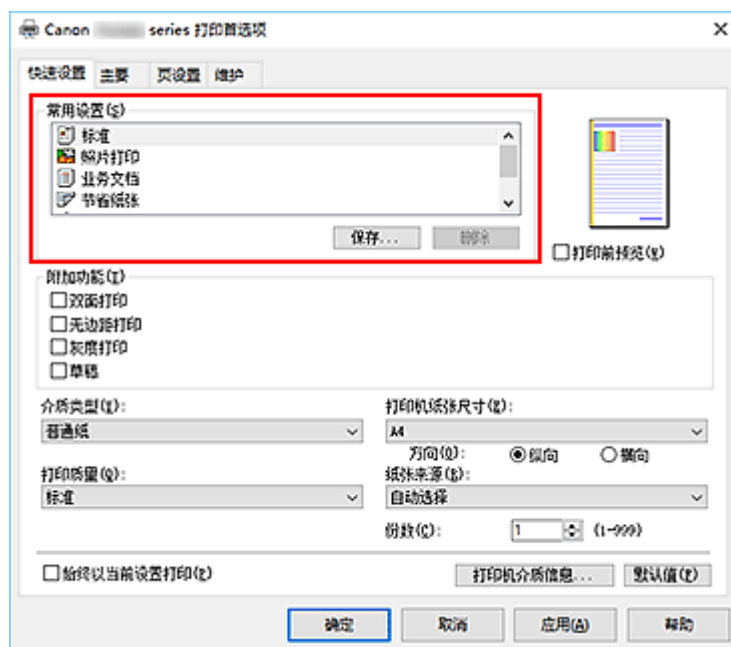
本节描述用于基本打印的[快速设置选项卡](#)的设置。

### 基本打印设置

1. [确认打印机是否已开启](#)
2. 在打印机中[装入纸张](#)
3. 打开[打印机驱动程序](#)的设置屏幕
4. 选择常用设置

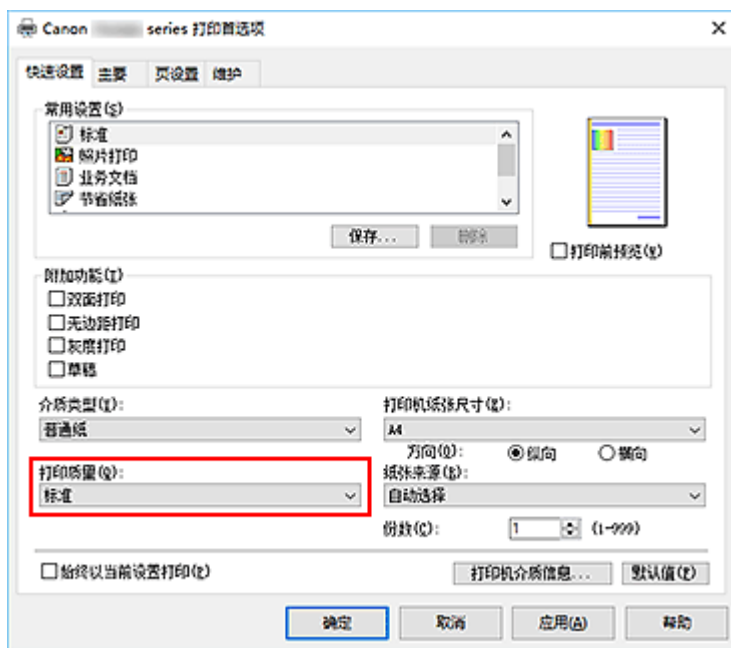
在[快速设置](#)选项卡上，使用[常用设置](#)从预设打印设置中进行选择。

选择打印设置时，[附加功能](#)、[介质类型](#)和[打印机纸张尺寸](#)设置将自动转换为预定设置的值。



5. 选择打印质量

对于打印质量，请从**高**、**标准**或**草稿**中进行选择。

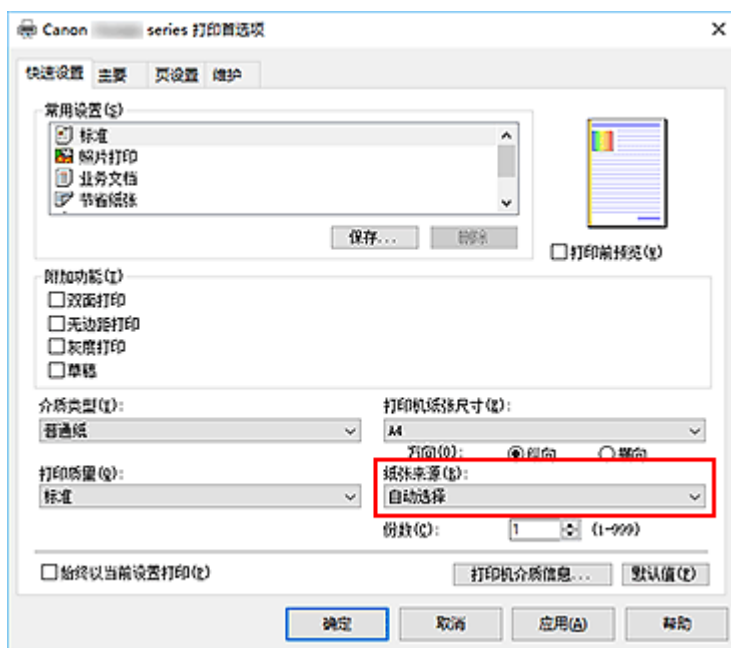


### 重要事项

- 根据选择的打印设置不同，打印质量的选项会有所不同。

## 6. 选择纸张来源

根据用途，将纸张来源选择为自动选择、后端托盘或纸盒。

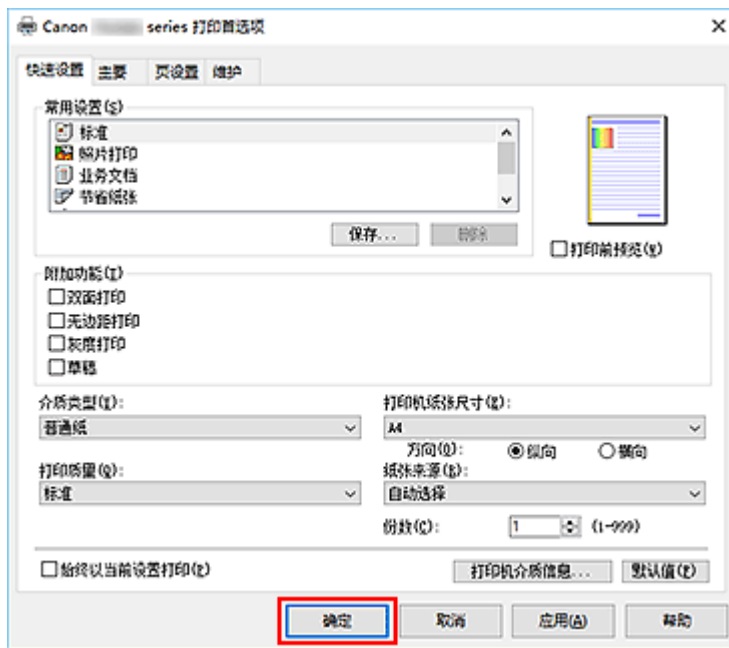


### 重要事项

- 根据纸张类型和尺寸，可选择的纸张来源设置可能不同。

## 7. 单击确定

打印机将使用这些设置进行打印。



## 重要事项

- 选择**始终以当前设置打印**时，将保存**快速设置**、**主要**和**页设置**选项卡上的设置，并且这些设置会在后续打印中应用。
- 要**注册当前设置**为新的预设设置，请单击**常用设置**下的**保存...**

## 注释

- 如果打印机驱动程序上的纸张设置与打印机上注册的纸张信息不同，可能会出现错误。有关发生错误时的操作说明，请参见“[纸张设置](#)”。  
要检查打印机当前的设置或将打印机设置应用到打印机驱动程序，请显示**快速设置**选项卡并单击**打印机介质信息...**，然后在出现的对话框中指定设置。  
有关要在打印机上注册的纸张信息的详细信息，请参见以下内容：
  - [打印机驱动程序和打印机上的纸张设置\(介质类型\)](#)
  - [打印机驱动程序和打印机上的纸张设置\(纸张尺寸\)](#)

## 检查打印机设置并将设置应用到打印机驱动程序

1. 打开打印机驱动程序设置窗口
2. 在**快速设置**选项卡上，单击**打印机介质信息...**  
出现**打印机介质信息**对话框。
3. 选择**纸张来源**  
从**纸张来源**中检查设置或选择新纸张来源。  
当前打印机设置显示在**介质类型**和**页尺寸**上。
4. 应用设置  
要将打印机设置应用到打印机驱动程序上，请单击**设置**。

## »» 注释

- 如果打印机上的类型设置为 Ink Jet Hagaki、Hagaki K 或 Hagaki，或如果打印机上的页尺寸设置为 2L/13x18cm(5x7)，则单击**设置**以显示对话框。  
选择符合使用目的的介质类型和纸张尺寸，然后单击**确定**。
- 如果未在打印机上设置类型和页尺寸或设置为其他，则**设置**将显示为灰色且无法单击。
- 如果与打印机的通讯已禁用，则不会显示**打印机介质信息...**对话框或打印机驱动程序无法获取打印机介质信息。



## 打印机驱动程序和打印机上的纸张设置(介质类型)

使用该打印机时，选择符合打印用途的介质类型和[纸张尺寸](#)有助于获得最佳打印效果。  
本打印机可以使用以下介质类型。

### Canon 原装纸张(文档打印)

介质名称<型号>	打印机驱动程序中的介质类型	打印机上注册的纸张信息
Canon Red Label Superior <WOP111>	普通纸	普通纸
Canon Océ Office Colour Paper <SAT213>	普通纸	普通纸

### Canon 原装纸张(照片打印)

介质名称<型号>	打印机驱动程序中的介质类型	打印机上注册的纸张信息
高级光面照片纸 II <PP-201/PP-301>	高级光面照片纸 II	高级光面 II
优质专业照片纸 <PT-101>	Photo Paper Pro Platinum	Pro Platinum
专业绒面照片纸 <LU-101>	Photo Paper Pro Luster	Pro Luster
亚高光泽照片纸 <SG-201>	亚高光泽照片纸	亚高光泽
光面照相纸"Everyday Use" <GP-501/GP-508>	光面照相纸	光面
光面照相纸 <GP-701>	光面照相纸	光面
无光泽照片纸 <MP-101>	Matte Photo Paper	Matte

### Canon 原装纸张(商务信函打印)

介质名称<型号>	打印机驱动程序中的介质类型	打印机上注册的纸张信息
高分辨率纸 <HR-101N>	高分辨率纸	高分辨率纸

### 可购买的纸张

介质名称	打印机驱动程序中的介质类型	打印机上注册的纸张信息
普通纸(包括再生纸)	普通纸	普通纸
信封	信封	信封
T 恤转印介质	T 恤转印介质	其他
贺卡	喷墨贺卡	其他
卡片纸	卡片纸	卡片纸

## 打印机驱动程序和打印机上的纸张设置(纸张尺寸)

使用该打印机时，选择符合打印用途的纸张尺寸有助于获得最佳打印效果。  
本打印机可以使用以下纸张尺寸。

打印机驱动程序中的打印机纸张尺寸	打印机上注册的纸盒的纸张信息
Letter 22x28cm 8.5"x11"	Letter
Legal 22x36cm 8.5"x14"	Legal
279.4x431.8mm 11"x17"	28x43cm(11"x17")
A5	A5
A4	A4
A3	A3
B5	B5
B4	B4
10x15cm 4"x6"	KG/10x15cm(4x6)
13x18cm 5"x7"	2L/13x18cm(5x7)
18x25cm 7"x10"	18x25cm(7"x10")
20x25cm 8"x10"	20x25cm(8"x10")
25x30cm 10"x12"	25x30cm(10"x12")
L 89x127mm	L(89x127mm)
2L 127x178mm	2L/13x18cm(5x7)
正方形 10x10cm 4"x4"	正方形 10cm
正方形 13x13cm 5"x5"	正方形 13cm
正方形 30x30cm 12"x12"	30x30cm(12"x12")
Hagaki 100x148mm	Hagaki
Hagaki 2 200x148mm	Hagaki 2
信封 Com 10	信封 Com 10
信封 DL	信封 DL
Nagagata 3 120x235mm	Nagagata 3
Nagagata 4 90x205mm	Nagagata 4
Yougata 4 105x235mm	Yougata 4

<b>Yougata 6 98x190mm</b>	Yougata 6
<b>Card 55x91mm 2.17"x3.58"</b>	Card 55x91mm
用户定义尺寸	其他

## 多种打印方法

---

- ▶ 设置页尺寸和方向
- ▶ 设置打印份数和打印顺序
- ▶ 执行无边距打印
- ▶ 比例打印
- ▶ 页面布局打印
- ▶ 平铺/海报打印
- ▶ 双面打印
- ▶ 设置信封打印
- ▶ 在明信片上打印

## 设置页尺寸和方向

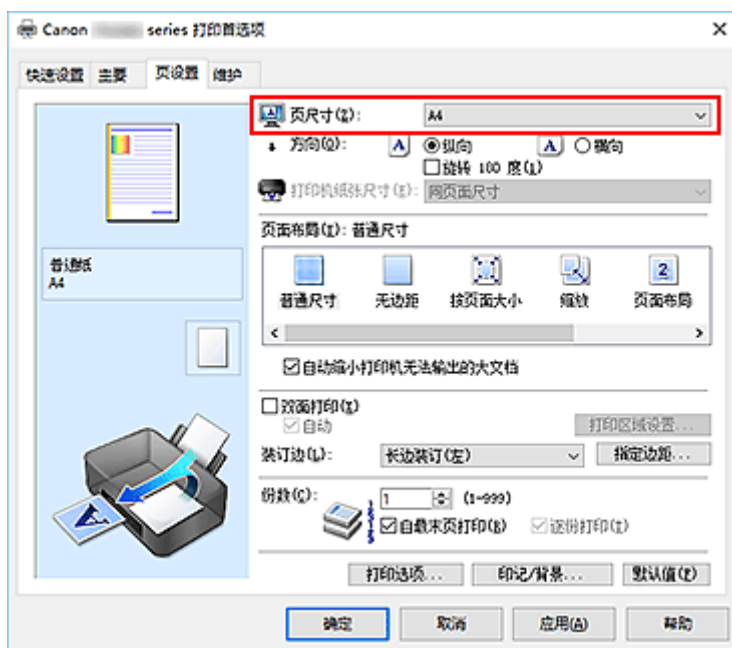
页尺寸和方向主要由应用程序软件决定。当**页设置**选项卡上的**页尺寸**和**方向**的设置与应用程序软件中的设置一致时，则无需在**页设置**选项卡上进行选择。

当您无法在应用程序软件中指定这些设置时，请按照以下步骤选择页尺寸和方向：  
您也可以在**快速设置**选项卡上设置页尺寸和方向。

### 1. 打开**打印机驱动程序设置窗口**

### 2. 选择纸张尺寸

从**页设置**选项卡上的**页尺寸**列表中选择一种纸张尺寸。



### 3. 设置方向

选择方向为**纵向**或**横向**。当要将原稿旋转 180 度执行打印时，请选中**旋转 180 度**复选框。

### 4. 单击**确定**

当执行打印时，将按照所选的页尺寸和方向打印文档。

## 注 释

- 如果**页面布局**选择为**普通尺寸**，然后将显示**自动缩小打印机无法输出的大文档**。通常，可以选中复选框。打印过程中，如果不希望减小打印机无法打印的大文档，取消选中该复选框。

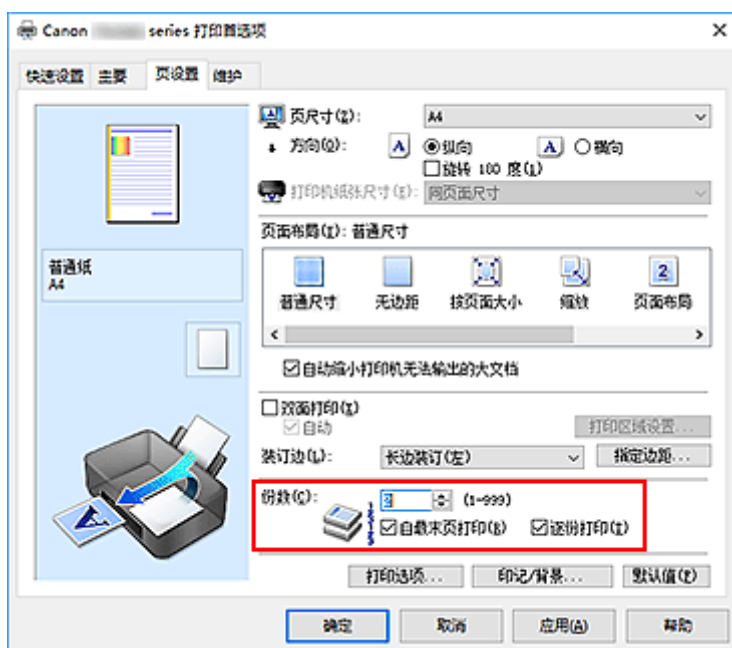
## 设置打印份数和打印顺序

您也可以设置快速设置选项卡上的打印份数。

### 1. 打开打印机驱动程序设置窗口

### 2. 指定要打印的份数

对于页设置选项卡上的份数，请指定要打印的份数。



### 3. 指定打印顺序

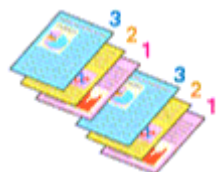
当要按顺序从最末页打印时，请选中自最末页打印复选框，但当从首页打印时取消选中该复选框。

当打印一份文档的多份并要集中打印每一个副本的所有页时，请选中逐份打印复选框。当要集中打印同一页码的所有副本时不选中该复选框。

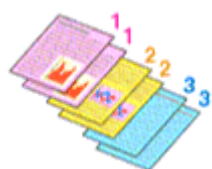
- 自最末页打印：/逐份打印：



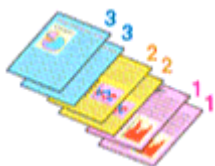
- 自最末页打印：/逐份打印：



- 自最末页打印：/逐份打印：



- 自最末页打印: /逐份打印:



#### 4. 单击确定

当执行打印时，将按照指定的打印顺序打印指定的份数。

#### 重要事项

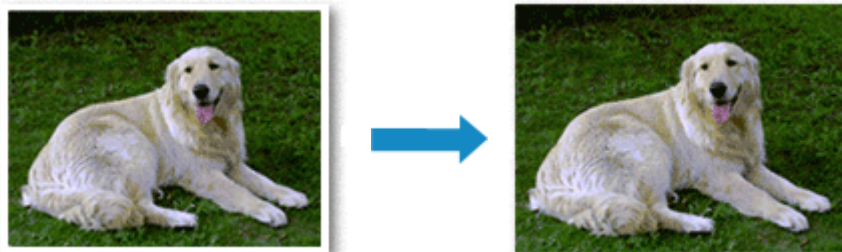
- 当创建文档的应用程序软件具有相同的功能时，请指定打印机驱动程序的设置。然而，如果打印结果不能令人满意，请指定应用程序软件上的功能设置。当同时使用应用程序软件和本打印机驱动程序指定打印份数和打印顺序时，打印份数可能是两个设置的倍数或者指定的打印顺序可能不起作用。
- 当页面布局选择为平铺/海报时，自最末页打印将显示为灰色且不可用。
- 当页面布局选择了书册时，自最末页打印和逐份打印将显示为灰色且无法设置。
- 当选择双面打印时，自最末页打印显示为灰色且无法设置。

#### 注释

- 同时设置自最末页打印和逐份打印时，可以执行自最末页开始的逐份打印。  
这些设置可以与普通尺寸、无边距、按页面大小、缩放和页面布局结合起来使用。

## 执行无边距打印

无边距打印功能可以放大数据使其略微超出纸张，从而使打印的数据没有任何边距。在标准打印中将在文档区域周围创建边距。但是，在无边距打印功能中不会创建这些边距。当要使打印数据(如照片)不带任何边距时，请设置无边距打印。

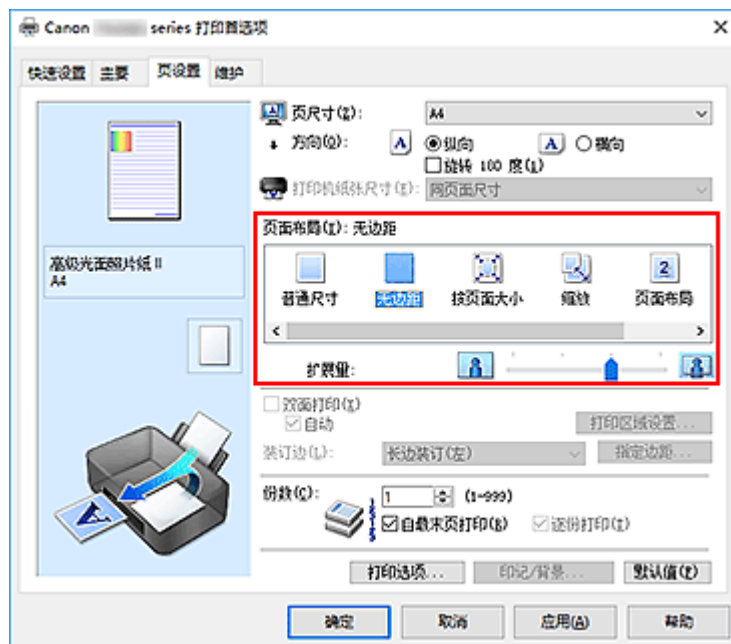


您也可以在快速设置选项卡上的附加功能中设置无边距打印。

## 设置无边距打印

1. 打开[打印机驱动程序设置窗口](#)
2. 设置无边距打印

从页设置选项卡上的页面布局列表中选择无边距。



出现确认信息时，单击**确定**。

出现信息提示您更改介质类型时，请从列表中选择介质类型并单击**确定**。

3. 检查纸张尺寸



检查页尺寸列表。想要更改此项时，请从列表中选择其他页尺寸。列表仅显示适用于无边距打印的尺寸。

#### 4. 调整纸张的扩展量

根据需要，使用**扩展量**滑块调整扩展量。

向右移动滑块增加超出纸张的扩展量，向左移动减少超出纸张的扩展量。

在大多数情况下，建议将滑块调至从右边数第二个位置。



#### 重要事项

- 将**扩展量**滑块调至最右端位置时，纸张背面可能会变脏。

#### 5. 单击确定

当执行打印时，将不在纸张上留有任何边距来打印数据。

#### 重要事项

- 当选择了不适用于无边距打印的页尺寸时，该尺寸将自动更改为适用于无边距打印的页尺寸。
- 当选择了**无边距**时，**页设置**选项卡上的**打印机纸张尺寸**、**双面打印**、**装订边设置**和**印记/背景...**按钮将显示为灰色且不可用。
- 当从**主要**选项卡上的**介质类型**列表中选择**信封**、**高分辨率纸**或**T恤转印介质**时，无法执行无边距打印。
- 根据无边距打印过程中使用的介质类型，纸张顶部和底部的打印质量可能变差或染污。
- 当纸张的长宽比例不同于图像数据时，根据使用的介质尺寸，可能无法打印部分图像。在这种情况下，根据纸张尺寸使用应用程序软件裁剪图像数据。

#### 注释

- 当**主要**选项卡上的**介质类型**选择了**普通纸**时，不推荐使用无边距打印。因此，将显示介质选择的信息。如果您正在使用普通纸进行测试打印，请选择**普通纸**，并单击**确定**。

## 扩展文档的打印范围

设置较大的扩展量可确保无边距打印顺利执行。然而，无法打印超出纸张范围的文档部分，因此，可能无法打印照片边缘处的物件。

对无边距打印的结果不满意时，请减少扩展量。向左移动**扩展量**滑块减少扩展量。

#### 重要事项

- 当减少扩展量时，根据纸张尺寸，打印件上可能会出现多余的边距。

#### 注释

- 当**扩展量**滑块设置在最左端时，将以全尺寸打印图像数据。如果在打印明信片的地址面时设置了该项，则会在正确的位置上打印发送方的邮政编码。
- 当在**打印前预览**选项卡上选中了**主要**时，可以在打印前确认是否没有边距。

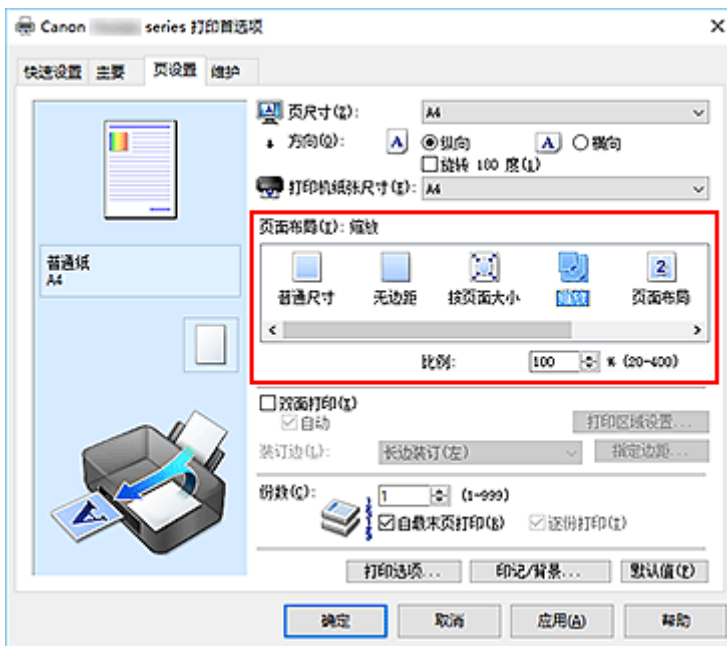
## 比例打印



1. 打开[打印机驱动程序设置窗口](#)

2. 设置比例打印

从页设置选项卡上的页面布局列表中选择缩放。



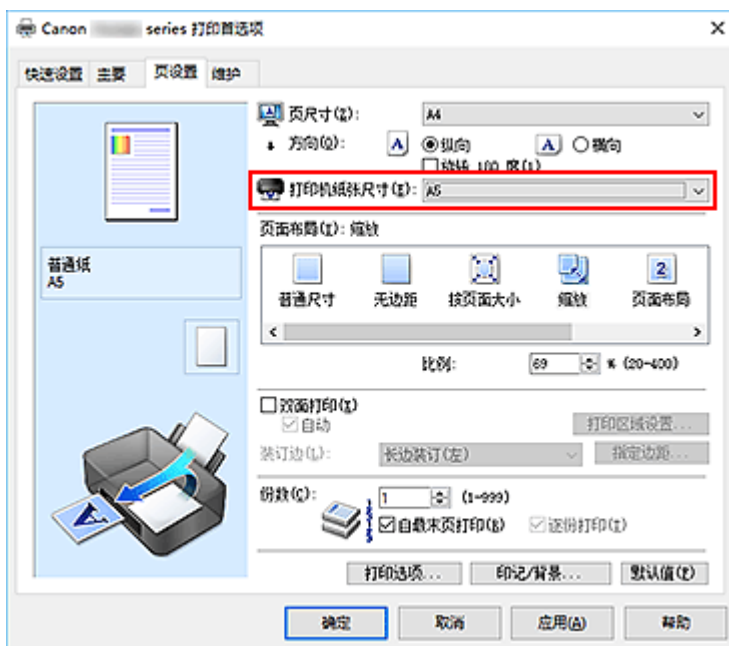
3. 选择文档的纸张尺寸

使用页尺寸，选择使用应用程序软件设置的页尺寸。

4. 使用以下一种方法设置缩放比例：

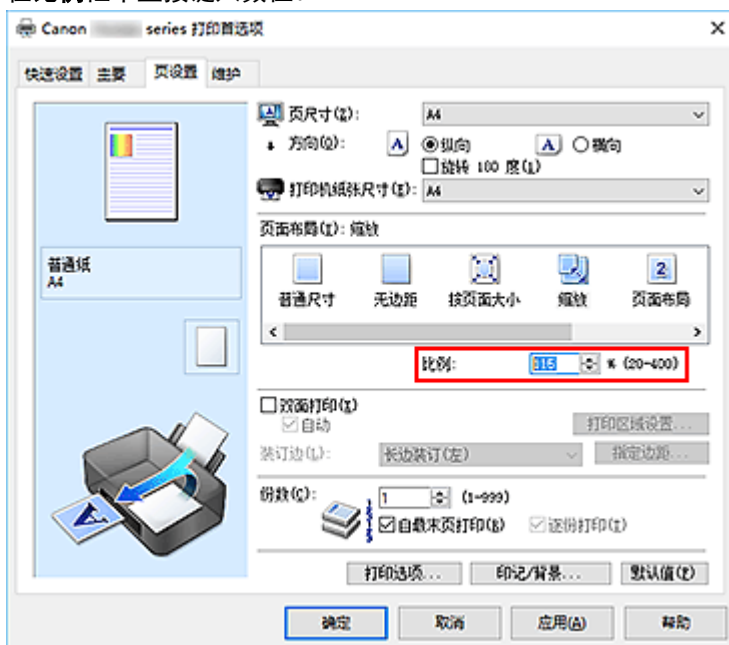
- 选择一种打印机纸张尺寸

当打印机纸张尺寸小于页尺寸时，页面图像将被缩小。当打印机纸张尺寸大于页尺寸时，页面图像将被放大。



- 指定比例因数

在比例框中直接键入数值。



当前设置显示在打印机驱动程序左侧的设置预览中。

## 5. 单击确定

当执行打印时，将以指定的比例打印文档。

### 重要事项

- 当用于创建原稿的应用程序软件具有比例打印功能时，请在该应用程序软件上配置此设置。您无需在打印机驱动程序中配置相同的设置。

### 注释

- 选择**缩放**将更改文档的可打印区域。

## 页面布局打印

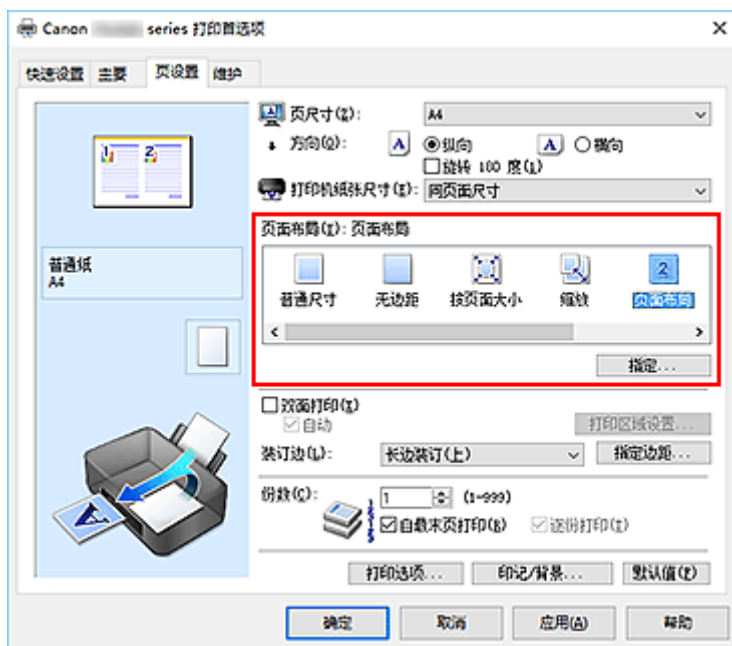
页面布局打印功能可以在一张纸上打印多页图像。



### 1. 打开打印机驱动程序设置窗口

### 2. 设置页面布局打印

从页设置选项卡上的页面布局列表中选择页面布局。  
当前设置显示在打印机驱动程序左侧的设置预览中。

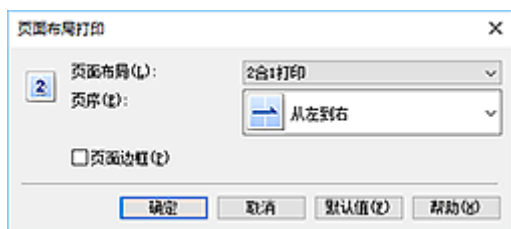


### 3. 选择打印纸张尺寸

从打印机纸张尺寸列表中选择装入打印机的纸张尺寸。

### 4. 设置在单页上要打印的页数和页序

如有必要，单击指定...，在页面布局打印对话框中指定以下设置，然后单击确定。



### 页面布局

要更改在单页纸上的打印份数，请从列表中选择份数。

### 页序

要更改页面排列顺序，请从列表中选择一种放置方法。

### 页面边框

要在各文档页面周围打印页面边框，请选中该复选框。

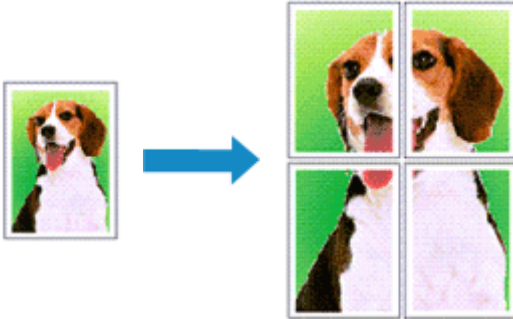
## 5. 完成设置

单击**页设置**选项卡上的**确定**。

当执行打印时，将按照指定顺序在每页纸张上排列指定数目的页面。

## 平铺/海报打印

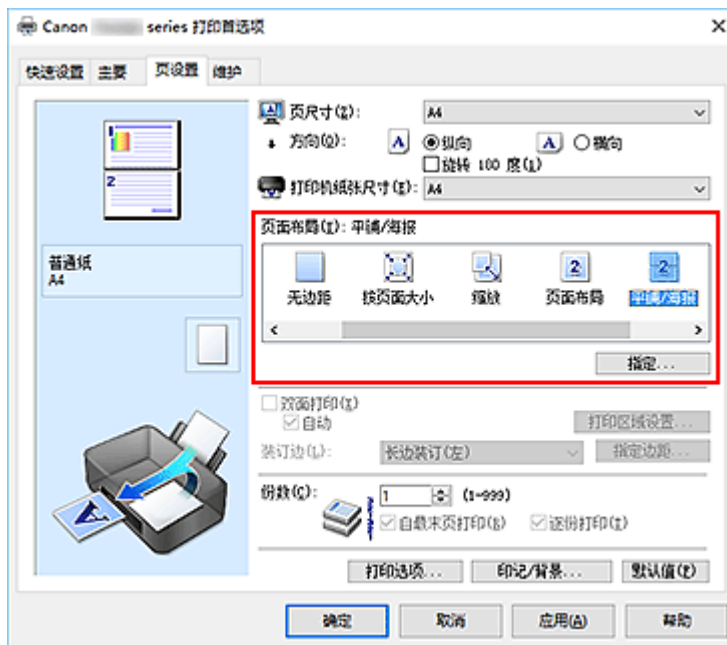
平铺/海报打印功能可以放大图像数据，将放大后的数据分成几页并分别打印在单独的纸张上。可以将多页粘在一起制作大型印刷品，如海报。



### 设置平铺/海报打印

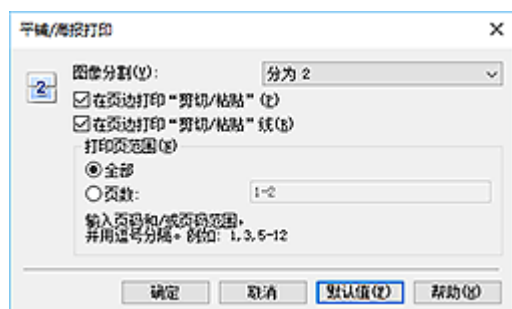
1. 打开[打印机驱动程序设置窗口](#)
2. 设置平铺/海报打印

从页设置选项卡上的页面布局列表中选择平铺/海报。  
当前设置显示在打印机驱动程序左侧的设置预览中。



3. 选择打印纸张尺寸  
从打印机纸张尺寸列表中选择装入打印机的纸张尺寸。
4. 设置图像分割和要打印页的数目

如有必要，单击**指定...**，在**平铺/海报打印**对话框中指定以下设置，然后单击**确定**。



## 图像分割

选择分割数目(垂直 x 水平)。

随着分割数目的增加，打印所需的纸张也会增加。如果将多页粘贴在一起制作海报，增加分割数目可以制作大型海报。

## 在页边打印“剪切/粘贴”

要省略“剪切”和“粘贴”文字，不选中该复选框。

### »» 注释

- 当使用某些打印机驱动程序或操作环境时，该功能可能不可用。

## 在页边打印“剪切/粘贴”线

要省略剪切线，不选中该复选框。

## 打印页范围

指定打印范围。通常情况下选择**全部**。

要仅重新打印指定页面，选择**页数**并输入要打印的页数。要指定多页，请用逗号分隔输入的页码或在页码间输入连字符来输入页数。

### »» 注释

- 通过单击设置预览中的页面，您也可以指定打印范围。

## 5. 完成设置

单击**页设置**选项卡上的**确定**。

当执行打印时，打印过程中文档将被分割成多个页面。

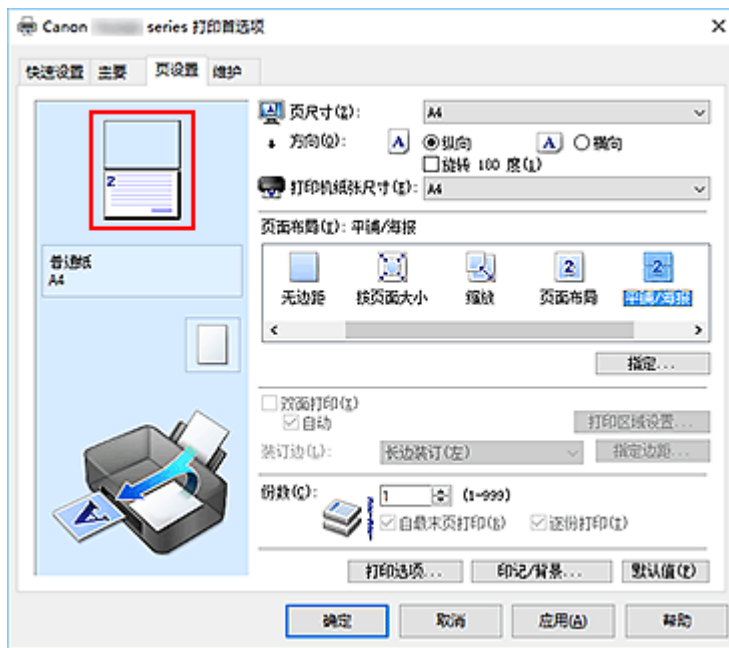
## 仅打印指定页面

如果打印期间墨水变得暗淡或耗尽，您可以仅重新打印指定的页面，步骤如下：

### 1. 设置打印范围

在**页设置**选项卡左侧的设置预览中，单击不需要打印的页面。

将删除被单击的页面，仅显示需要打印的页面。



## 注释

- 单击已删除的页可再次显示。
- 右键单击设置预览以选择打印所有页或删除所有页。

## 2. 完成设置

完成页面选择后，单击**确定**。  
当执行打印时，仅打印指定页。

## 重要事项

- 因为打印时平铺/海报打印使文档放大，打印结果可能变得粗糙。



## 双面打印



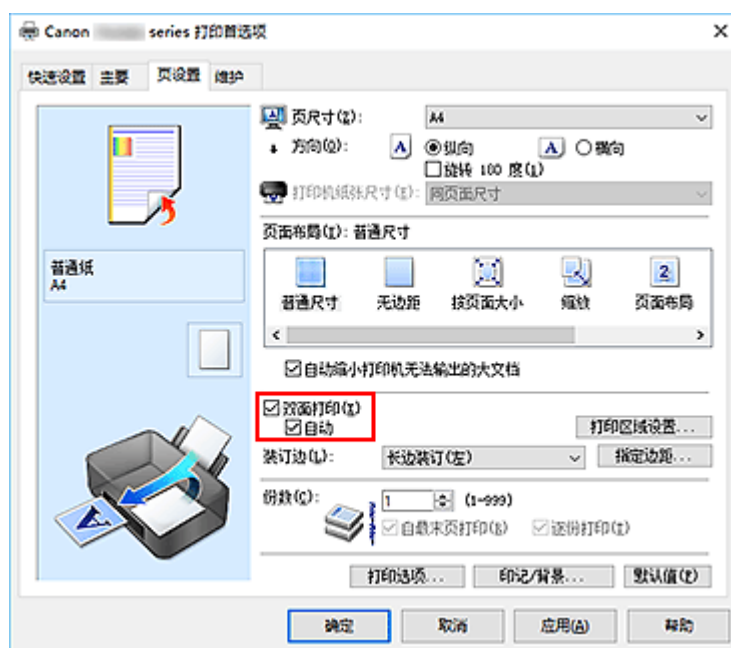
您也可以设置快速设置选项卡上附加功能中的双面打印。

### 执行自动双面打印

无需翻转纸张即可执行双面打印。

1. 打开[打印机驱动程序设置窗口](#)
2. 设置自动双面打印

选中页设置选项卡上的**双面打印**复选框，并确认已选中**自动**。

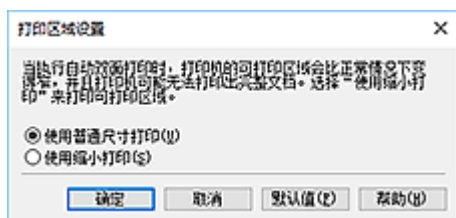


3. 选择布局

从**页面布局**列表中选择**普通尺寸**、**按页面大小**、**缩放**或**页面布局**。

4. 设置打印区域

当执行双面打印时，文档的打印区域会比正常情况下稍变得窄，并且文档可能无法充满整个页面。单击**打印区域设置...**，选择以下一种处理方法，然后单击**确定**。



### 使用普通尺寸打印

打印时不缩小页面。

### 使用缩小打印

打印时略微缩小页面。

## 5. 指定装订边

从**方向**和**页面布局**设置自动选择最佳**装订边**。想要更改此设置时，请从列表中选择其他装订边。

## 6. 设置边距宽度

如有必要，单击**指定边距...**并设置边距的宽度，然后单击**确定**。

## 7. 完成设置

单击**页设置**选项卡上的**确定**。

执行打印时，将启动双面打印。

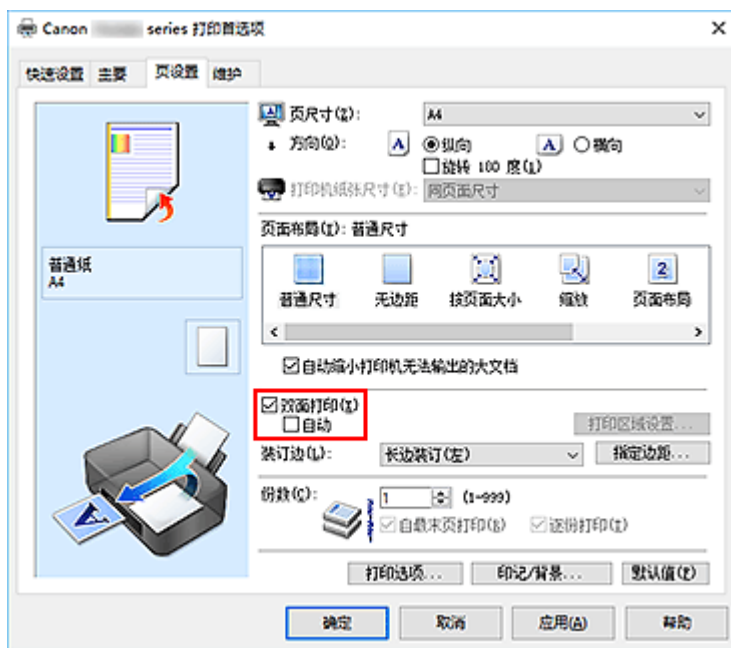
## 手动执行双面打印

您可以手动执行双面打印。

### 1. 打开[打印机驱动程序设置窗口](#)

### 2. 设置双面打印

在**页设置**选项卡上选中**双面打印**复选框且不选中**自动**复选框。



### 3. 选择布局

从页面布局列表中选择**普通尺寸**、**按页面大小**、**缩放**或**页面布局**。

### 4. 指定装订边

从**方向**和**页面布局**设置自动选择最佳**装订边**。想要更改此设置时，请从列表中选择其他装订边。

### 5. 设置边距宽度

如有必要，单击**指定边距...**并设置边距的宽度，然后单击**确定**。

### 6. 完成设置

单击**页设置**选项卡上的**确定**。

当执行打印时，首先在纸张的单面打印文档。打印完一面后，根据信息重新正确装入纸张。

然后单击**开始打印**以打印另一面。

## 重要事项

- 从**主要**选项卡上的**介质类型**列表中选择了除**普通纸**、**Ink Jet Hagaki (A)**、**Hagaki K (A)**、**Hagaki (A)**或**Hagaki**以外的其他介质类型时，**双面打印**显示为灰色且不可用。
- 当从**页面布局**列表中选择了**无边距**、**平铺/海报**或**书册**时，**双面打印**和**装订边**将显示为灰色且不可用。
- 仅当从**页设置**选项卡上的**页尺寸**中选择以下一种纸张尺寸时，才可以执行**双面打印**。
  - **Letter 22x28cm 8.5"x11"**、**A5**、**A4**、**B5**、**Hagaki 100x148mm**
- 打印完正面后，在开始打印背面之前有一段墨水晾干等待时间(操作暂时停止)。在此期间请勿触摸纸张。可以在 Canon IJ Printer Assistant Tool 中的**用户定义设置**中更改墨水晾干等待时间。
- 当使用自动双面打印功能打印明信片时，请先打印地址面，然后打印信息面。

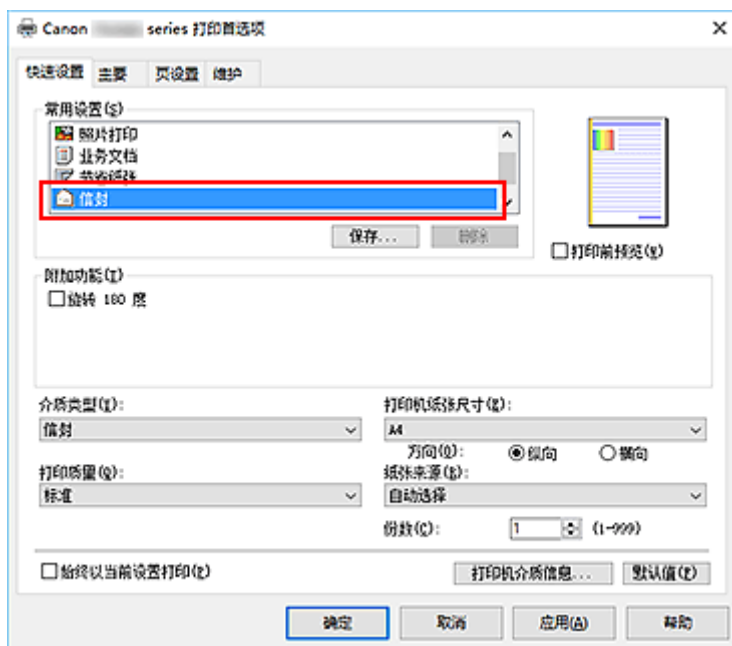
## 相关主题

- [更改打印机操作模式](#)

## 设置信封打印

1. 在打印机中[装入信封](#)
2. 打开[打印机驱动程序设置窗口](#)
3. 选择介质类型

从快速设置选项卡上的常用设置中选择信封。

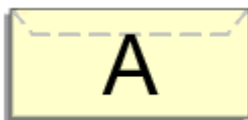


4. 选择纸张尺寸

显示信封尺寸设置对话框时，选择信封 Com 10、信封 DL、Yougata 4 105x235mm 或 Yougata 6 98x190mm，然后单击确定。

5. 设置方向

要水平打印收件人，请选择方向为横向。



### 注釋

- 如果将打印机纸张尺寸选择为信封 Com 10、信封 DL、Yougata 4 105x235mm 或 Yougata 6 98x190mm，则无论 Canon IJ Printer Assistant Tool 的用户定义设置中当方向为[横向]时向左旋转 90 度设置如何，打印机都会将纸张向左旋转 90 度以打印。

6. 选择打印质量

从**打印质量**中选择合乎用途的**高**或**标准**。

## 7. 单击**确定**

当执行打印时，将在信封上打印信息。

### ▶▶▶ **重要事项**

- 当执行信封打印时，将显示指南信息。  
要隐藏指南信息，选中**不要再次显示该信息**复选框。  
要再次显示该指南，单击**维护**选项卡上的**查看打印机状态**按钮并启动 Canon IJ Status Monitor。  
然后从**选项**菜单的**显示指南信息**上单击**信封打印**，以启用设置。

### ▶▶▶ **注释**

- 如果打印机驱动程序上的纸张设置与打印机上注册的纸张信息不同，可能会出现错误。有关发生错误时的操作说明，请参见“[纸张设置](#)”。  
要检查打印机当前的设置或将打印机设置应用到打印机驱动程序，请从**快速设置**选项卡上单击**打印机介质信息...**，并在出现的对话框中指定设置。  
有关要在打印机上注册的纸张信息的详细信息，请参见以下内容：
  - [打印机驱动程序和打印机上的纸张设置\(介质类型\)](#)
  - [打印机驱动程序和打印机上的纸张设置\(纸张尺寸\)](#)

## 在明信片上打印

### 1. 在打印机中[装入明信片](#)

### 2. 打开[打印机驱动程序设置窗口](#)

### 3. 选择常用设置

显示**快速设置**选项卡并将**常用设置**选择为**标准**。

### 4. 选择介质类型

对于**介质类型**，请选择 **Ink Jet Hagaki (A)**、**Ink Jet Hagaki**、**Hagaki K (A)**、**Hagaki K**、**Hagaki (A)**或**Hagaki**。

#### 重要事项

- 本打印机无法打印附有照片或贴纸的明信片。
- 当使用自动双面打印功能打印明信片时，请先打印地址面，然后打印信息面。
- 分别打印明信片的每一面时，如果先打印信息面，然后再打印地址面，将获得更清晰的打印效果。
- 根据是在地址面打印还是在信息面打印，打印机驱动程序上的纸张设置有所不同。  
要检查打印机当前的设置或将打印机设置应用到打印机驱动程序，请从**快速设置**选项卡上单击**打印机介质信息...**，并在出现的对话框中指定设置。  
有关要注册到打印机驱动程序的纸张信息和要在打印机上注册的纸张信息的详细资料，请参见以下内容：
  - [打印机驱动程序和打印机上的纸张设置\(介质类型\)](#)
  - [打印机驱动程序和打印机上的纸张设置\(纸张尺寸\)](#)
- 当使用自动双面打印功能时，请先注册打印面的纸张信息。

### 5. 选择纸张尺寸

对于**打印机纸张尺寸**，选择 **Hagaki 100x148mm** 或 **Hagaki 2 200x148mm**。

#### 重要事项

- 只有从计算机打印时才可以使用回复明信片。
- 打印回复明信片时，务必从应用程序软件或打印机驱动程序将纸张尺寸设置为 **Hagaki 2 200x148mm**。
- 请勿折叠回复明信片。如果形成折痕，打印机将无法正确送入明信片，这种情况将造成线条偏移或卡纸。
- 回复明信片不能使用自动双面打印和无边距打印。

### 6. 设置打印方向

要水平打印地址，请将**方向**设置为**横向**。

### 7. 选择打印质量

对于**打印质量**，根据用途，请选择**高**或**标准**。

## 8. 单击确定

执行打印时，将在明信片上打印数据。

### »» 重要事项

- 如果要在执行明信片打印时显示指南信息，请打开**维护**选项卡，单击**查看打印机状态**启动 Canon IJ Status Monitor。  
在**选项菜单**上，选择**显示指南信息**并单击 **Hagaki 打印**以启用设置。  
要隐藏该指南信息，请选择**不要再次显示该信息**复选框。
- 在明信片以外的其他介质上打印时，根据该介质的使用方法装入介质，然后单击**开始打印**。



## 打印机驱动程序概述

---

- ▶ **Canon IJ 打印机驱动程序**
  - 打开打印机驱动程序的设置屏幕
- ▶ **Canon IJ Status Monitor**
  - 从计算机检查墨水状态
- ▶ **使用说明(打印机驱动程序)**

## Canon IJ 打印机驱动程序

Canon IJ 打印机驱动程序(以下简称为打印机驱动程序)是安装在计算机上,以便能够与打印机通讯的软件。打印机驱动程序将应用程序软件所生成的打印数据转换为打印机能够识别的数据,并将转换后的数据发送到打印机。

由于不同的打印机支持不同的数据格式,因此需要支持所用打印机的打印机驱动程序。

### 安装打印机驱动程序

要安装打印机驱动程序,请从打印机附带的安装光盘上的**开始设置**安装驱动程序。

### 指定打印机驱动程序

要指定打印机驱动程序,请打开所使用的应用程序软件的**打印**对话框,然后选择“Canon XXX”(“XXX”表示型号名称)。

### 从打印机驱动程序显示手册

要在打印机驱动程序设置屏幕显示设置选项卡的描述,请单击此选项卡上的**帮助**按钮。

### 相关主题

- [打开打印机驱动程序的设置屏幕](#)

## 打开打印机驱动程序的安装屏幕

可以从应用程序软件或通过单击打印机图标显示打印机驱动程序的安装屏幕。

### 从应用程序软件显示打印机驱动程序的安装屏幕

执行此步骤可在打印过程中进行打印设置。

1. 从应用程序软件中选择打印命令  
通常可以在**文件**菜单中找到**打印**命令。
2. 选择打印机型号并单击**首选项(或属性)**

会出现打印机驱动程序的安装屏幕。

#### 注 释

- 根据所使用的应用程序软件不同，命令和菜单名称以及步骤数目可能会有所不同。有关详细资料，请参阅所用应用程序软件的操作说明。

### 通过单击打印机图标显示打印机驱动程序的安装屏幕

可以从安装屏幕执行打印机维护操作，如打印头清洗，或将打印设置设为由所有应用程序软件共享。

1. 选择**控制面板 -> 硬件和声音 -> 设备和打印机**
2. 右键单击所用型号的图标。出现菜单时，请选择**打印首选项**

会出现打印机驱动程序的安装屏幕。

#### 重 要 事 项

- 通过**打印机属性**打开打印机驱动程序设置窗口，会显示有关 Windows 功能的选项卡，如**端口(或高级)**选项卡等。当通过**打印首选项**或应用程序软件打开时，不会出现这些选项卡。有关 Windows 功能选项卡的信息，请参阅 Windows 用户手册。

## Canon IJ Status Monitor

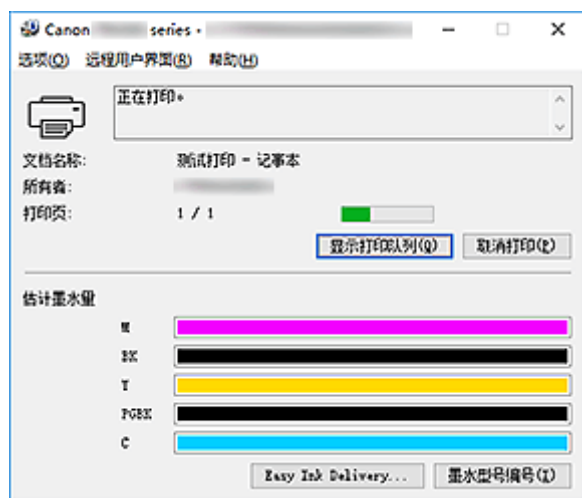
Canon IJ Status Monitor 是一个应用程序软件，用于显示打印机状态和打印进程。您将通过图示、图标和信息了解打印机状态。

### 启动 Canon IJ Status Monitor

当打印数据发送到打印机时，Canon IJ Status Monitor 将自动启动。启动时，Canon IJ Status Monitor 在任务栏上显示为一个按钮。



单击显示在任务栏上的状态监视器按钮。显示 Canon IJ Status Monitor。

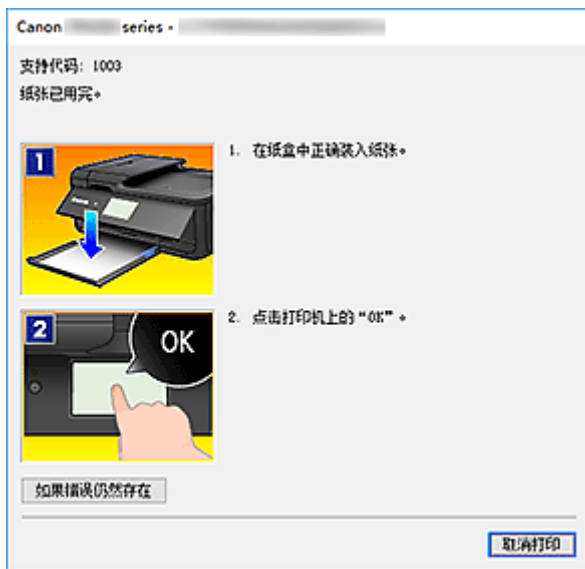


### 注释

- 要在打印机未打印时打开 Canon IJ Status Monitor，请打开[打印机驱动程序设置窗口](#)，并单击**维护**选项卡上的**查看打印机状态**。
- 根据使用打印机时所在的国家或地区，显示在 Canon IJ Status Monitor 的信息可能有所不同。

### 出现错误时

如果出现错误(例如，打印机中的纸张用完或墨水不足)，将自动显示 Canon IJ Status Monitor。



在这些情况下，请按照说明采取适当的操作。

## 从计算机检查墨水状态

可以检查本型号的剩余墨水量和墨水盒类型。

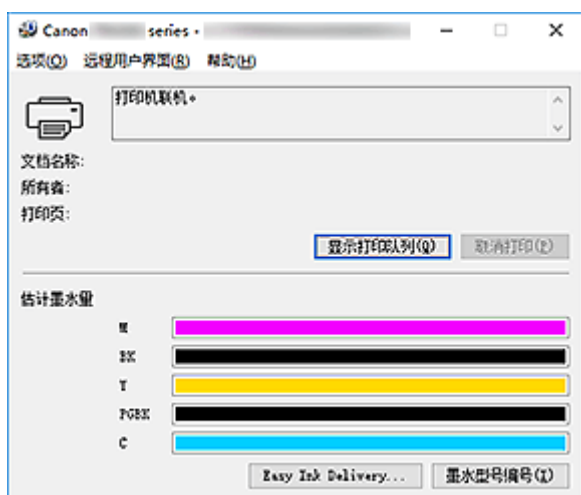
### 1. 打开[打印机驱动程序设置窗口](#)

### 2. 启动 Canon IJ Status Monitor

在**维护**选项卡上，单击**查看打印机状态**。

### 3. 显示估计墨水量

墨水状态如图所示。



### »» 注释

- 根据使用打印机时所在的国家或地区，显示在 Canon IJ Status Monitor 的信息可能有所不同。
- 当在 A3 纸张或更大尺寸的纸张上打印时，墨水可能会在打印完成前用完，或者打印可能会变得暗淡或出现条纹(白色线条)。

## 使用说明(打印机驱动程序)

该打印机驱动程序受以下限制。使用打印机驱动程序，请注意以下几点。

### 关于打印机驱动程序的限制

- 根据要打印的文档类型，在打印机驱动程序中指定的供纸方式可能无法正确操作。  
如果发生这种情况，从应用程序软件的**打印**对话框打开**打印机驱动程序设置窗口**，然后检查**主要选项卡**上**纸张来源**字段中的设置。
- 使用某些应用程序，可能无法启用打印机驱动程序**页设置**选项卡中的**份数**设置。  
在这种情况下，请使用应用程序软件的**打印**对话框中的份数设置。
- 如果**维护**选项卡中的**关于**对话框中选择的**语言**与操作系统界面语言不匹配，则打印机驱动程序设置窗口可能无法正常显示。
- 请勿更改打印机属性的高级选项卡项目。如果更改项目，您将无法正常使用以下功能。  
同样，如果在应用程序软件的**打印**对话框中选择了**打印到文件**，并且使用了禁止 EMF 后台打印的应用程序，如 Adobe Photoshop LE 和 MS Photo Editor，以下功能将不可用。
  - **主要选项卡**上的**打印前预览**
  - **页设置**选项卡上**打印选项**对话框中的**防止打印数据丢失**
  - **页设置**选项卡上的**页面布局**、**平铺/海报**、**书册**、**双面打印**、**指定边距...**、**自最末页打印**、**逐份打印**和**印记/背景...**
- 由于预览显示中的分辨率与打印分辨率不同，所以预览显示中的文本和线条可能与实际打印效果不同。
- 使用某些应用程序，打印将分为多个打印作业。  
要取消打印，请删除所有分散的打印作业。
- 如果没有正确打印图像数据，从**页设置**选项卡中显示**打印选项**对话框并更改**禁用应用程序软件所需的 ICM** 设置。这可能会解决问题。
- 打印机的存储卡插槽可能不可连接。如果发生这种情况，请重新启动打印机或关闭打印机并且重新连接 USB 电缆线。

### 使用存在限制的应用程序的注意事项

- 在 Microsoft Word (Microsoft Corporation)中存在以下限制。
  - 当 Microsoft Word 具有与打印机驱动程序相同的打印功能时，请使用 Word 指定这些功能。
  - 当为打印机驱动程序的**页设置**选项卡上的**页面布局**选择了**按页面大小**、**缩放**或**页面布局**时，某些 Word 版本的文档可能无法正常打印。
  - Word 中的**页尺寸**设置为“XXX 放大/缩小”时，某些 Word 版本的文档可能无法正常打印。  
如果发生这种情况，请执行以下步骤。
    1. 打开 Word 的**打印**对话框。
    2. 打开**打印机驱动程序设置窗口**，在**页设置**选项卡上将**页尺寸**设置为与 Word 中所指定尺寸相同的纸张尺寸。
    3. 设置想要的**页面布局**，然后单击**确定**关闭此窗口。
    4. 在没有开始打印的情况下，关闭**打印**对话框。
    5. 再次打开 Word 的**打印**对话框。
    6. 打开打印机驱动程序设置窗口，并单击**确定**。
    7. 开始打印。
- 如果在 Adobe Illustrator (Adobe Systems Incorporated)中启用位图打印，打印时间可能会变长或者某些数据可能无法打印。取消选中**打印**对话框中的**位图打印**复选框，然后执行打印。

## 打印机驱动程序の説明

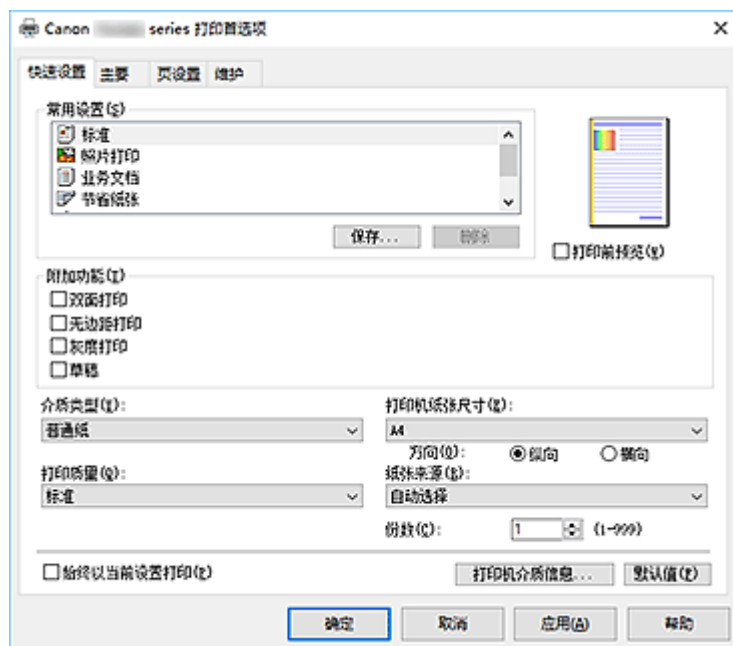
---

- ▶ 快速設置選項卡の説明
- ▶ 主要選項卡の説明
- ▶ 頁設置選項卡の説明
- ▶ 維護選項卡の説明
- ▶ Canon IJ Status Monitor の説明



## 快速设置选项卡的说明

快速设置选项卡用于注册常用打印设置。选择已注册的设置时，打印机自动转换至预置项目。



### 常用设置

注册常用打印配置文件的名称和图标。根据文档用途选择打印配置文件时，会应用符合用途的设置。此外，可能对所选打印配置文件有用的功能会显示在**附加功能**中。

也可以更改打印配置文件并使用新名称进行注册。可以删除已注册的打印配置文件。

可以通过拖拽各个配置文件或者在按住 Ctrl 键的同时按向上或向下箭头键重新排列配置文件。

### 标准

这些是出厂设置。

如果从应用程序软件设置了**页尺寸**、**方向**和**份数**，则优先使用那些设置。

### 照片打印

如果在打印照片时选择此设置，将设置通常使用的照片纸和照片尺寸。**无边距打印**复选框会自动选中。

如果从应用程序软件设置了**方向**和**份数**，则优先使用那些设置。

### 业务文档

打印一般文档时选择该设置。

如果从应用程序软件设置了**页尺寸**、**方向**和**份数**，则优先使用那些设置。

### 节省纸张

打印一般文档时选择该设置以节省纸张。**2合1打印**和**双面打印**复选框会自动选中。

如果从应用程序软件设置了**页尺寸**、**方向**和**份数**，则优先使用那些设置。

### 信封

如果选择此设置来打印信封，**介质类型**会自动设置为**信封**。在**信封尺寸设置**对话框中，选择要使用的信封尺寸。

### 贺卡

选择打印贺卡时，**介质类型**会自动设置为**喷墨贺卡**。**打印质量**也会设置为**高**，且**无边距打印**前添加复选标记。

## »» 注释

- 为在保存所添加打印配置文件时选择的打印配置文件显示的**附加功能**组合，在选择该添加的打印配置文件时也会显示。

### 保存...

显示**保存常用设置对话框**。

要将**快速设置**、**主要**和**页设置**选项卡中设置的信息保存到**常用设置**时，请单击该按钮。

### 删除

删除已注册的打印配置文件。

选择要从**常用设置**删除的设置名称，并单击**删除**。显示确认信息时，单击**确定**删除指定的打印配置文件。

## »» 注释

- 无法删除注册在初始设置中的打印配置文件。

### 设置预览

纸张图示显示了如何在一张纸上布置原稿。

您可以查看整体布局图像。

### 打印前预览

在实际打印数据前显示打印效果。

选中该复选框以在打印前显示预览。

如果不想显示预览，则取消选中该复选框。

### 附加功能

显示在**快速设置**选项卡上的**常用设置**中选择的打印配置文件的常用便捷功能。

将鼠标指针移动到可以更改的功能附近时，会显示该功能的说明。

要启用该功能，请选中相应的复选框。

对于某些功能，可以从**主要**和**页设置**选项卡设置详细设置。

## »» 重要事项

- 根据打印配置文件，某些功能可能显示为灰色且无法更改。

### 2 合 1 打印

在一页纸上并排打印两页文档。

要更改页序，请单击**页设置**选项卡，为**页面布局**选择**页面布局**，并单击**指定...**。然后，在出现的**页面布局打印对话框**中指定**页序**。

### 4 合 1 打印

在一页纸上并排打印四页文档。

要更改页序，请单击**页设置**选项卡，为**页面布局**选择**页面布局**，并单击**指定...**。然后，在出现的**页面布局打印对话框**中指定**页序**。

### 双面打印

选择是在纸张的双面还是单面打印文档。

要更改装订边或边距，请从**页设置**选项卡设置新值。

### 无边距打印

执行无边距打印时不在纸张上留有任何边距。

使用无边距打印功能会放大要打印的文档，从而使其略微超出纸张。换句话说，打印的文档没有任何边距。

要调整文档超出纸张的扩展量，请单击**页设置**选项卡，选择**无边距**，然后在**扩展量**中输入数值。

## 灰度打印

当打印文档时，该功能将数据转换为单色数据。

## 草稿

该设置适用于测试打印。

## 旋转 180 度

通过向进纸方向旋转 180 度打印文档。

将在垂直和水平方向上反转其他应用程序软件中配置的打印区域宽度和扩展量。

## 色彩/浓度手动调节

在设置**色彩修正**方法和各项设置(如**青色**、**品红色**、**黄色**、**亮度**和**对比度**等)时选择。

## 介质类型

选择打印纸张的类型。

选择与装入打印机中的纸张相匹配的介质类型。这可确保指定的纸张执行正确打印。

## 打印机纸张尺寸

选择实际装入打印机的纸张尺寸。

通常，根据输出纸张尺寸设置自动设置纸张尺寸，打印文档时不进行缩放。

当在**附加功能**中设置**2 合 1 打印**或**4 合 1 打印**时，可以通过**页设置**选项卡中的**页尺寸**手动设置纸张尺寸。

如果选择的纸张尺寸小于**页尺寸**，则文档尺寸将被缩小。如果选择的纸张尺寸较大，则文档尺寸将被放大。

同样，如果选择**用户定义...**，[用户定义纸张尺寸对话框](#)将打开，可以指定任何垂直和水平尺寸的纸张尺寸。

## 方向

选择打印方向。

如果用于创建文档的应用程序具有相同的功能，请选择在此应用程序中选择的相同方向。

### 纵向

打印文档，使顶端和底端位置相对于进纸方向没有更改。此为默认设置。

### 横向

通过相对于进纸方向旋转 90 度打印文档。

通过进入 Canon IJ Printer Assistant Tool，打开**用户定义设置**对话框，然后使用**当方向为[横向]时向左旋转 90 度**复选框，可以更改旋转方向。

要在打印时将文档向左旋转 90 度，请选中**当方向为[横向]时向左旋转 90 度**复选框。

## 打印质量

选择所需的打印质量。

选择以下其中一种以设置合乎用途的打印质量级别。

要单独设置打印质量级别，请单击**主要**选项卡，将**打印质量**选择为**用户定义**。**设置...**变为**启用**。单击**设置...**以打开[用户定义对话框](#)，然后指定所需设置。

### 高

打印质量优于打印速度。

### 标准

以平均的速度和质量打印。

### 草稿

该设置适用于测试打印。

## 纸张来源

请选择供应纸张的来源。

### 自动选择

根据打印机驱动程序中的纸张设置和打印机上注册的纸张信息，打印机会自动决定纸张来源并送入纸张。

### 后端托盘

一直由后端托盘供纸。

### 纸盒

一直由纸盒供纸。

## 重要事项

- 根据介质类型和尺寸，可选择的**纸张来源**设置可能不同。

## 份数

指定要打印的份数。可以指定一个从 1 到 999 之间的数值。

## 重要事项

- 当创建文档的应用程序软件具有相同的功能时，请指定打印机驱动程序中的设置。然而，如果打印结果不能令人满意，请指定应用程序软件上的功能设置。

## 始终以当前设置打印

从下次执行打印开始以当前设置打印文档。

选择该功能后关闭**打印机驱动程序设置窗口**时，将保存在**快速设置**、**主要**和**页设置**选项卡中设置的信息，并且从下次执行打印开始可以使用相同的设置打印。

## 重要事项

- 如果使用其他用户名称登录，启用该功能时所设的设置不会体现在打印设置中。
- 如果在应用程序软件中指定了设置，则优先使用该设置。

## 打印机介质信息...

显示**打印机介质信息对话框**。

可以检查打印机设置并将检查的设置应用到打印机驱动程序。

## 默认值

将修正中所做的设置恢复至默认状态。

单击该按钮可将**快速设置**、**主要**和**页设置**选项卡上的所有设置恢复为默认值(出厂设置)。

## 保存常用设置对话框

在该对话框上，可以保存**快速设置**、**主要**和**页设置**选项卡中设置的信息，并将这些信息添加到**快速设置**选项卡上的**常用设置**列表中。

### 名称

输入要保存的打印配置文件的名称。

最多可以输入 255 个字符。

该名称及其关联的图标会出现在**快速设置**选项卡上的**常用设置**列表中。

### 选项...

打开**保存常用设置对话框**。

更改要保存的打印配置文件的详细信息。

## 保存常用设置对话框

选择要注册到**常用设置**中的打印配置文件的图标，并在打印配置文件中更改要保存的项目。

### 图标

选择要保存的打印配置文件的图标。

所选的图标及其名称会出现在**快速设置**选项卡上的**常用设置**列表中。

### 保存纸张尺寸设置

将纸张尺寸保存到**常用设置**中的打印配置文件。

要在选择打印配置文件时应用保存的纸张尺寸，请选中该复选框。

如果取消选中该复选框，则不保存纸张尺寸，因此选择打印配置文件时不应用纸张尺寸设置。打印机将使用通过应用程序软件指定的纸张尺寸进行打印。

### 保存方向设置

将方向保存到**常用设置**中的打印配置文件。

要在选择打印配置文件时应用保存的打印方向，请选中该复选框。

如果取消选中该复选框，则不保存打印方向，因此选择打印配置文件时不应用**方向**设置。打印机将使用通过应用程序软件指定的打印方向进行打印。

### 保存份数设置

将**份数**设置保存到**常用设置**中的打印配置文件。

要在选择打印配置文件时应用保存的份数设置，请选中该复选框。

如果取消选中该复选框，则不保存份数设置，因此选择打印配置文件时不应用**份数**设置。打印机将使用通过应用程序软件指定的份数设置进行打印。

## 用户定义纸张尺寸对话框

在该对话框上，您可以指定用户定义纸张的尺寸(宽度和高度)。

### 单位

选择用于输入用户定义纸张尺寸的单位。

### 纸张尺寸

指定用户定义纸张的**宽度**和**高度**。根据**单位**中指定的单位显示测量。

## 打印机介质信息对话框

使用该对话框可以检查打印机设置并将检查的设置应用到打印机驱动程序。

### 纸张来源

检查设置或选择新纸张来源。

### 介质类型

显示当前设置在打印机上的**介质类型**。

要将显示的设置应用到打印机驱动程序上，请单击**设置**。

### 页尺寸

显示当前设置在打印机上的**页尺寸**。

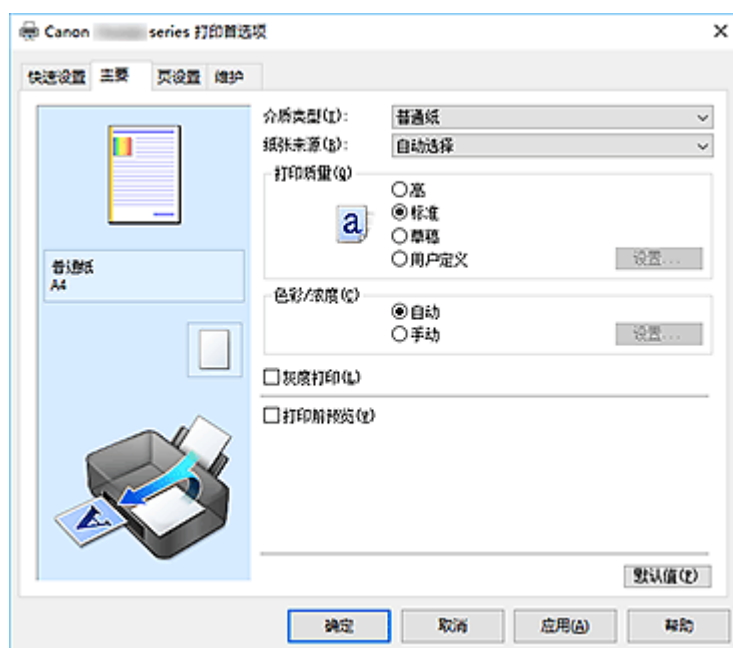
要将显示的设置应用到打印机驱动程序上，请单击**设置**。

## 相关主题

- [基本打印设置](#)
- [设置页尺寸和方向](#)
- [设置打印份数和打印顺序](#)
- [执行无边距打印](#)
- [双面打印](#)
- [设置信封打印](#)
- [在明信片上打印](#)
- [根据用途切换纸张来源](#)
- [打印前显示打印效果](#)
- [设置纸张尺寸\(用户定义尺寸\)](#)
- [用单色打印彩色文档](#)
- [指定色彩修正](#)
- [调整色彩平衡](#)
- [调节亮度](#)
- [调节对比度](#)
- [注册常用打印配置文件](#)

## 主要选项卡的说明

在**主要**选项卡上，可以根据介质类型创建基本打印设置。除非要求进行特殊打印，否则仅需在该选项卡上设置各项目即可执行常规打印。



### 设置预览

纸张图示显示了如何在一张纸上布置原稿。

您可以查看整体布局图像。

打印机图示显示了如何装入符合打印机驱动程序设置的纸张。

开始打印前，查看图示以检查打印机是否设置正确。

### 介质类型

选择打印纸张的类型。

选择与装入打印机中的纸张相匹配的介质类型。这可确保指定的纸张执行正确打印。

### 纸张来源

显示供入纸张的来源。

可以用打印机驱动程序切换纸张来源。

#### 自动选择

根据打印机驱动程序中的纸张设置和打印机上注册的纸张信息，打印机会自动决定纸张来源并送入纸张。

#### 后端托盘

一直由后端托盘供纸。

#### 纸盒

一直由纸盒供纸。

### 重要事项

- 根据介质类型和尺寸，可选择的**纸张来源**设置可能不同。

## 打印质量

选择所需的打印质量。

选择以下其中一种以设置合乎用途的打印质量级别。

### 重要事项

- 根据介质类型设置，即使更改打印质量，可能也会产生相同的打印效果。

#### 高

打印质量优于打印速度。

#### 标准

以平均的速度和质量打印。

#### 草稿

该设置适用于测试打印。

#### 用户定义

当要分别设置打印质量级别时选择该项。

#### 设置...

将打印质量选择为用户定义以启用此按钮。

打开[用户定义对话框](#)。然后您可以分别设置打印质量级别。

## 色彩/浓度

选择色彩调整方法。

#### 自动

自动调整青色、品红色、黄色、亮度和对比度等。

#### 手动

在设置各项设置(如青色、品红色、黄色、亮度、对比度等以及色彩修正方法)时选择。

#### 设置...

将色彩/浓度选择为手动以启用该按钮。

在[手动色彩调节对话框](#)中，可以调整[色彩调整选项卡](#)上的各项色彩设置，如青色、品红色、黄色、亮度和对比度，并选择[匹配选项卡](#)上的色彩修正方法。

### 注释

- 如果想使用 ICC 配置文件调整色彩，请使用[手动色彩调节对话框](#)以设置此配置文件。

## 灰度打印

当打印文档时，该功能将数据转换为单色数据。

选中该复选框以单色打印彩色文档。

## 打印前预览

在实际打印数据前显示打印效果。

选中该复选框以在打印前显示预览。

## 默认值

将修正中所做的设置恢复至默认状态。

单击此按钮会将当前屏幕上的所有设置恢复为默认值(出厂设置)。

## 用户定义对话框

设置质量级别并选择所需的打印质量。



## 质量

可以使用滑动条来调整打印质量级别。

### 重要事项

- 根据**介质类型**的设置，可能无法选择某些打印质量级别。

### 注释

- 使用滑动条可以设置**高**、**标准**或**草稿**打印质量模式。因此，移动滑动条时，左侧会显示相应的质量和数值。此操作与**主要选项卡**上的**打印质量**选择为相应的单选按钮时获得的效果相同。

## 色彩调整选项卡

在此选项卡上，可以更改**青色**、**品红色**、**黄色**、**亮度**和**对比度**选项的设置，从而调整色彩平衡。

### 预览

显示色彩调节的效果。

调整各项目时，色彩和亮度将会改变。

### 注释

- 当选中**灰度打印**复选框时，图形以单色显示。

### 查看彩色图案

显示一个图案以查看色彩调节带来的颜色变更。

如果要以一种色彩图案显示预览图像，请选中该复选框。

### 青色/品红色/黄色

调整**青色**、**品红色**和**黄色**的强度。

向右移动滑块将使色彩更深，向左移动滑块将使色彩更浅。

也可以直接输入与滑块关联的数值。输入从-50 到 50 范围内的数值。

此调整可更改各色彩使用的相对墨水量，而墨水量可改变文档的整体色彩平衡。如果想有效地更改整体色彩平衡，请使用应用程序。仅当要细微调整色彩平衡，请使用打印机驱动程序。

### 重要事项

- 当选中**主要选项卡**上的**灰度打印**复选框时，**青色**、**品红色**和**黄色**将显示为灰色且不可用。

### 亮度

调整打印的亮度。您无法更改纯白色和纯黑色水平。但是，可以更改白色和黑色之间色彩的对比度。

向右移动**亮度**滑块使颜色变亮(减淡)，向左移动此滑块将使颜色变暗(加深)。也可以直接输入与滑块联动的亮度值。输入从-50 到 50 范围内的数值。

### 对比度

调整要打印图像中明暗之间的对比度。

向右移动滑块将增加对比度，向左移动滑块将减少对比度。

也可以直接输入与滑块关联的数值。输入从-50 到 50 范围内的数值。

## 匹配选项卡

可以选择调整色彩的方法以便与要打印文档的类型匹配。

### 色彩修正

可以选择**驱动校正**、**ICM**或**无**以符合打印操作的用途。

## 重要事项

- 当选中主要选项卡上的**灰度打印**时，**色彩修正**将显示为灰色且不可用。

### 驱动校正

通过使用 Canon 数码照片色彩，可以使用大众喜爱的色彩打印 sRGB 数据。

### ICM

打印时通过使用 ICC 配置文件调整色彩。

## 重要事项

- 如果设置应用程序软件以便禁用 ICM，则**色彩修正**中的 **ICM** 不可用并且打印机可能无法正确打印图像数据。

### 无

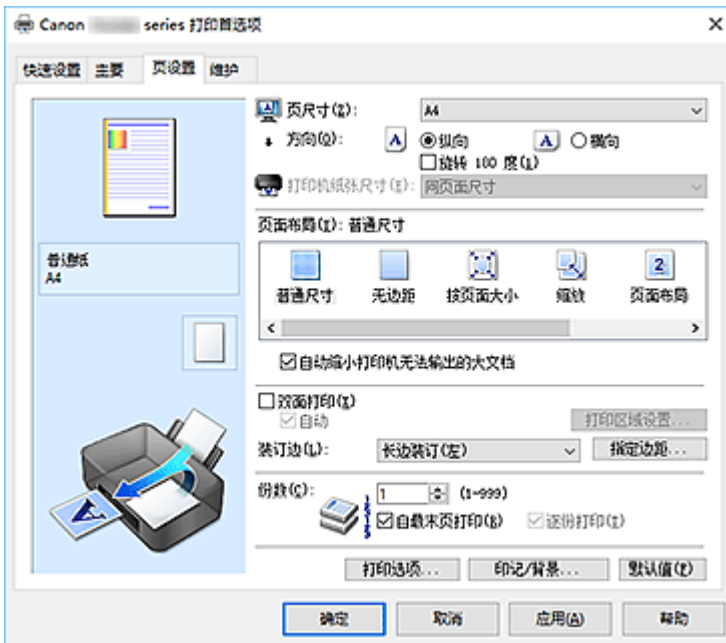
使用打印机驱动程序禁用色彩调整。

## 相关主题

- 设置打印质量级别(用户定义)
- 调整色彩平衡
- 调节亮度
- 调节对比度
- 指定色彩修正
- 使用打印机驱动程序调整色彩
- 使用 ICC 配置文件进行打印
- 用单色打印彩色文档
- 打印前显示打印效果

## 页设置选项卡的说明

页设置选项卡还允许您决定如何在纸张上排列文档。还可以通过此选项卡设置打印的份数和顺序。如果创建文档的应用程序具有类似的功能，请使用该应用程序进行设置。



### 设置预览

纸张图示显示了如何在一张纸上布置原稿。

您可以查看整体布局图像。

打印机图示显示了如何装入符合打印机驱动程序设置的纸张。

开始打印前，查看图示以检查打印机是否设置正确。

### 页尺寸

选择页尺寸。

确保选择与在应用程序中所选择尺寸相同的页尺寸。

如果选择用户定义...，[用户定义纸张尺寸对话框](#)将打开，可以指定任何垂直和水平尺寸的纸张尺寸。

### 方向

选择打印方向。

如果用于创建文档的应用程序具有相同的功能，请选择在此应用程序中选择的相同方向。

#### 纵向

打印文档，使顶端和底端位置相对于进纸方向没有更改。此为默认设置。

#### 横向

通过相对于进纸方向旋转 90 度打印文档。

通过进入 Canon IJ Printer Assistant Tool，打开[用户定义设置对话框](#)，然后使用当方向为[横向]时向左旋转 90 度复选框，可以更改旋转方向。

要在打印时将文档向左旋转 90 度，请选中当方向为[横向]时向左旋转 90 度复选框。

#### 旋转 180 度

通过向进纸方向旋转 180 度打印文档。

将在垂直和水平方向上反转其他应用程序软件中配置的打印区域宽度和扩展量。

## 打印机纸张尺寸

选择实际装入打印机的纸张尺寸。

默认设置为**同页面尺寸**以执行普通尺寸打印。

将**页面布局**选择为**按页面大小**、**缩放**、**页面布局**、**平铺/海报**或**书册**时，可以选择打印机纸张尺寸。

如果选择的纸张尺寸小于**页尺寸**，则文档尺寸将被缩小。如果选择的纸张尺寸较大，则文档尺寸将被放大。

同样，如果选择**用户定义...**，[用户定义纸张尺寸对话框](#)将打开，可以指定任何垂直和水平尺寸的纸张尺寸。

## 页面布局

选中待打印文档的尺寸和打印类型。

### 普通尺寸

此为普通打印方法。当未指定任何页面布局时选择该项。

### 自动缩小打印机无法输出的大文档

如果打印机无法打印文档的纸张尺寸，则打印机可以在打印文档时自动缩小尺寸。

选中该复选框以在打印文档时缩小尺寸。

### 无边距

选择在无边距整页上还是带边距整页上打印。

如果使用无边距打印，原稿会被放大且略微超出纸张。这样可以执行无边距(边框)打印。

进行无边距打印时，使用**扩展量**来调整文档超出纸张的扩展量。

### 扩展量

进行无边距打印时，调整文档超出纸张的扩展量。

向右移动滑块可增加扩展量并确保无边距打印顺利执行。

向左移动滑块可减少扩展量并扩大文档的打印范围。

### 按页面大小

利用该功能可以自动放大或缩小文档以适合打印机中装入的纸张尺寸，而无需更改在应用程序软件中指定的纸张尺寸。

### 缩放

可以放大或缩小要打印的文档。

在**打印机纸张尺寸**中指定尺寸，或在**比例**对话框中输入缩放比例。

### 比例

为要打印的文档指定放大或缩小比例。

### 页面布局

可以在一张纸上打印多页文档。

### 指定...

打开[页面布局打印对话框](#)。

单击此按钮以设置有关页面布局打印的详细资料。

### 平铺/海报

利用此功能可以放大图像数据并将放大的数据分割成要打印的若干页面。还可以将这些纸张用胶水粘在一起制作大型印刷品，如海报。

### 指定...

打开[平铺/海报打印对话框](#)。

单击此按钮以设置有关平铺/海报打印的详细资料。

### 书册

书册打印功能可以将数据打印成册。将在纸张的双面打印数据。此打印类型可以确保将打印好的纸张沿中心对折并装订时，能够按照页码顺序正确分页。

### 指定...

打开[书册打印对话框](#)。

单击此按钮以设置有关书册打印的详细资料。

### 双面打印

选择是在纸张的两面还是单面自动打印文档。

选中该复选框以在双面打印文档。

只有介质类型选择为普通纸、Ink Jet Hagaki (A)、Hagaki K (A)、Hagaki (A)或 Hagaki，且选择普通尺寸、按页面大小、缩放或页面布局中的一项时，才可以使用该功能。

#### 自动

选择是自动还是手动执行双面打印。

如果从页面布局列表中选择书册或选中双面打印复选框，将启用此复选框。

要自动执行双面打印，请选中该复选框。

要手动执行双面打印，请取消选中该复选框。

### 打印区域设置...

打开[打印区域设置对话框](#)，可以在此对话框中配置自动双面打印的打印区域。

如果在未选择无边距时设置自动双面打印，此按钮将启动。

### 装订边

选择装订边位置。

打印机将分析方向和页面布局设置，并自动选择最佳装订边位置。选中装订边，并从列表中选择以进行更改。

### 指定边距...

打开[指定边距对话框](#)。

可以指定边距的宽度。

### 份数

指定要打印的份数。可以指定一个从 1 到 999 之间的数值。

#### 重要事项

- 如果用于创建文档的应用程序具有类似功能，请使用该应用程序指定份数，而不要在此处指定。

### 自最末页打印

要从末页开始打印，请选中该复选框。如果选中该复选框，则无需在打印后将页面排序为正确顺序。

取消选中该复选框可按正常顺序从第一页开始打印文档。

### 逐份打印

当要打印多个副本时，选中该复选框可将各副本的页面组合在一起。

如果要在打印时将同一页码的所有副本组合在一起，请取消选中该复选框。

#### 重要事项

- 当创建文档的应用程序软件具有相同的功能时，优先使用打印机驱动程序设置。然而，如果打印结果不能令人满意，请指定应用程序软件上的功能设置。当同时使用应用程序和本打印机驱动程序指定打印份数和打印顺序时，打印份数可能是两个设置的倍数或者指定的打印顺序可能不起作用。

### 打印选项...

打开[打印选项对话框](#)。

为打印从应用程序发送的打印数据而更改详细的打印机驱动程序设置。

## 印记/背景...

打开**印记/背景对话框**。

**印记**功能可以在文档数据之上或之下打印印记文本或位图。该功能可以打印日期、时间和用户名称。**背景**功能可以在文档数据之下打印浅色的图案。

根据环境的不同，**印记**和**背景**可能不可用。

## 用户定义纸张尺寸对话框

在该对话框上，您可以指定用户定义纸张的尺寸(宽度和高度)。

### 单位

选择用于输入用户定义纸张尺寸的单位。

### 纸张尺寸

指定用户定义纸张的**宽度**和**高度**。根据**单位**中指定的单位显示测量。

## 页面布局打印对话框

在该对话框上，您可以选择要在一张纸上放置的文档数量、页面顺序以及是否在各文档页面周围打印页面边框线。

可以在打印机驱动程序的设置预览中确认在此对话框中指定的设置。

### 预览图标

显示**页面布局打印**对话框中的设置。

可以在实际打印数据前查看打印效果。

### 页面布局

指定要充满整个页面的文档页数。

### 页序

指定在一张纸上打印的文档方向。

### 页面边框

在各文档页面周围打印页面边框线。

选中该复选框以打印页面边框线。

## 平铺/海报打印对话框

在该对话框上，您可以选择要打印图像的尺寸。还可以对剪切线和粘贴标记进行设置，以便将多个页面粘贴到一张海报中。

可以在打印机驱动程序的设置预览中确认在此对话框中指定的设置。

### 预览图标

显示**平铺/海报打印**对话框的设置。

您可以查看打印效果。

### 图像分割

选择分割数目(垂直 x 水平)。

随着分割数目的增加，打印所需的纸张也会增加。如果将多页粘贴在一起制作海报，增加分割数目可以制作大型海报。

### 在页边打印“剪切/粘贴”

指定是否在边距上打印“剪切”和“粘贴”文字。这些文字可以在将多个页面粘贴到一张海报中时作为指南。

选中该复选框以打印文字。

#### »» 注释

- 根据环境的不同，该功能可能不可用。

### 在页边打印“剪切/粘贴”线

指定是否打印可在将多个页面粘贴到一张海报中时作为指南的剪切线。

选中该复选框以打印剪切线。

### 打印页范围

指定打印范围。通常情况下选择**全部**。

选择**页数**以指定特定页面或范围。

#### »» 注释

- 如果部分页面的打印效果不好，则通过在**页设置**选项卡的设置预览中单击指定不需要打印的页面。此次将只打印屏幕上显示的页面。

## 书册打印对话框

在该对话框上，您可以设置如何将文档装订为书册。还可以在此对话框中设置仅在一面打印以及打印页面边框。

可以在打印机驱动程序的设置预览中确认在此对话框中指定的设置。

### 预览图标

显示在**书册打印**对话框中所做的设置。

您可以在打印为书册时查看文档效果。

### 装订边

指定书册装订面。

### 插入空白页

选择是在书册的单面还是双面打印文档。

选中该复选框以在书册的单面打印文档并从列表中选择保留为空白的一面。

### 边距

指定装订边的宽度。

从纸张的中心算起，该指定宽度为装订边。

### 页面边框

在各文档页面周围打印页面边框线。

选中该复选框以打印页面边框线。

## 打印区域设置对话框

当执行双面打印时，文档的打印区域会比正常情况下稍窄。因此，当打印边距较小的文档时，文档可能无法充满整个页面。

可以在该对话框上设置是否在打印时缩小页面，从而使文档充满整个页面。



## 使用普通尺寸打印

打印文档页面时不缩小页面。此为默认设置。

## 使用缩小打印

轻微缩小各个文档页面以在打印过程中使其适合纸张尺寸。

当使用自动双面打印功能打印边距较小的文档时，选择此设置。

## 指定边距对话框

在该对话框上，可以指定装订边的边距宽度。如果文档不适合在一页上打印，打印时将缩小文档。

### 边距

指定装订边的宽度。

通过**装订边**指定的页边宽度将成为装订边距。

## 打印选项对话框

更改设置以打印发送到打印机的数据。

根据环境的不同，该功能可能不可用。

### 禁用应用程序软件所需的 ICM

禁用应用程序软件所需的 ICM 功能。

当应用程序软件使用 Windows ICM 打印数据时，可能会产生非所需色彩或者打印速度可能变慢。如果出现这些问题，选中该复选框可能会解决问题。

#### 重要事项

- 在正常情况下取消选中该复选框。
- 当**手动色彩调节**对话框中**匹配**选项卡中的**色彩修正**选择为 **ICM** 时，无法使用该功能。

### 禁用应用程序软件的色彩配置文件设置

选中该复选框会禁用应用程序软件中设置色彩配置文件中的信息。

当应用程序软件中设置色彩配置文件中的信息输出到打印机驱动程序时，打印结果可能包含非所需色彩。如果发生这种情况，选中该复选框可能会解决问题。

#### 重要事项

- 即使选中该复选框，也仅会禁用色彩配置文件中的某些信息，色彩配置文件仍可用于打印。
- 在正常情况下取消选中该复选框。

### 禁用应用程序软件的纸张来源设置

禁用应用程序设置的纸张送入方法。

对于一些应用程序如 Microsoft Word，数据可能用不同于打印机驱动程序设置的送入方法打印。在这种情况下，检查此项功能。

#### 重要事项

- 当启用此项功能时，一般情况下纸张送入方法无法从 Canon IJ 预览更改。

### 取消纸张组合

设置**介质类型**、**页尺寸**和**打印机纸张尺寸**的显示方式。

要分别显示项目，请选中该复选框。

要按组显示项目，请清除该复选框。



## 不允许应用程序软件压缩打印数据

禁止压缩应用程序软件打印数据。

如果打印结果中有图像数据缺失或非所需色彩，选中该复选框可能会改善情况。

### ▶▶▶ 重要事项

- 在正常情况下取消选中该复选框。

## 逐页创建打印数据后打印

以页为单位创建打印数据，并且在处理完每一页打印数据后开始打印。

如果打印的文档包含条纹等非所需结果，选中该复选框可能会改善结果。

### ▶▶▶ 重要事项

- 在正常情况下取消选中该复选框。

## 防止打印数据丢失

可以缩小应用程序软件创建的打印数据的大小，然后打印这些数据。

根据所使用的应用程序软件，图像数据可能会被裁切或可能无法正确打印。在这种情况下，请选择开。如果不使用该功能，请选择关。

### ▶▶▶ 重要事项

- 当使用该功能时，根据打印数据，打印质量可能会下降。

## 打印数据处理单元

选择要发送到打印机的打印数据处理单元。

通常情况下选择推荐。

### ▶▶▶ 重要事项

- 某些设置可能会使用大量内存。  
如果所用计算机只有少量内存，请勿更改该设置。

## 用于打印的墨水

从已安装的墨水盒指定要使用的墨水盒。

从所有颜色(默认)、除 PGBK(黑色)之外和仅 PGBK(黑色)中进行选择。

### ▶▶▶ 重要事项

- 指定如下设置时，仅 PGBK(黑色)不起作用，因为打印机使用除 PGBK(黑色)以外的墨水盒打印文档。
  - 在主要选项卡上的介质类型中选择了除普通纸、信封、Ink Jet Hagaki (A)、Hagaki K (A)、Hagaki (A)或 Hagaki 以外的其他纸张
  - 从页设置选项卡上的页面布局列表中选择了无边距
- 不要取下未使用的墨水盒。当取下任一墨水盒时，将无法执行打印。

## 印记/背景对话框

使用印记/背景对话框，可以在文档页面正面或背面打印印记和/或背景。除了预先注册的印记或背景外，可以注册并使用自己原创的印记或背景。

### 印记

印记打印是一项在文档上打印印记的功能。

选中该复选框并从列表中选择标题以打印印记。

## 定义印记...

打开[印记设置对话框](#)。

可以查看所选印记的详细信息或保存新的印记。

## 在文本上盖印记

设置在文档上打印印记的方式。

选中**印记**复选框以启用该设置。

选中该复选框以在打印文档页面之上打印印记。打印数据可能会隐藏在印记之下。

取消选中该复选框以将文档数据打印在印记之上。打印数据将不会隐藏在印记之下。但是，可能会隐藏与文档重叠的印记部分。

## 仅在首页加印记

当文档包含两页或更多页时，选择是仅在第一页上打印印记，还是在所有页上打印印记。

选中**印记**复选框以启用该设置。

选中该复选框以仅在第一页上打印印记。

## 背景

背景打印功能可以在文档之下打印图案或类似对象(位图)。

选中该复选框以打印背景，并从列表中选择标题。

## 选择背景...

打开[背景设置对话框](#)。

可以将位图注册为背景，并更改所选背景的布局方法和浓度。

## 仅在首页加背景

当文档包含两页或更多页时，选择是仅在第一页上打印背景，还是在所有页上打印背景。

选中**背景**复选框以启用该设置。

选中该复选框以仅在第一页上打印背景。

## 印记选项卡

在印记选项卡上可以设置要用于印记的文本和位图文件(.bmp)。

### 预览窗口

显示在各个选项卡中配置的印记状态。

### 印记类型

指定印记类型。

选择**文本**以使用字符创建印记。选择**位图**以使用位图文件创建。选择**日期/时间/用户名称**以显示打印文档的创建日期/时间和用户名称。

印记选项卡中的设置项目会根据所选类型而变化。

### 当印记类型为文本或日期/时间/用户名称时

#### 印记文本

指定印记文本串。

最多可以输入 64 个字符。

对于**日期/时间/用户名称**，打印对象的创建日期/时间和用户名称将显示在**印记文本**中。

#### ▶▶▶ 重要事项

- 如果选择了**日期/时间/用户名称**，则**印记文本**显示为灰色且不可用。

### TrueType 字体

选择印记文本串的字体。

## 风格

选择印记文本串的字体样式。

## 大小

选择印记文本串的字号。

## 外框

选择围绕印记文本串的外框。

如果大小选择为较大的字号，字符可能会延伸到印记边框以外。

## 颜色/选择颜色...

显示印记的当前颜色。

要选择其他颜色，请单击**选择颜色...**打开**颜色**对话框，并选择或创建要用于印记的颜色。

## 当印记类型为位图时

### 文件

指定要用作印记的位图文件的名称。

### 选择文件...

打开用于打开文件的对话框。

单击该按钮选择要用作印记的位图文件。

### 大小

调整要用作印记的位图文件的大小。

向右移动滑块将增加大小，向左移动滑块将减小大小。

### 透明白色区

指定是否使位图的白色填充区域变为透明。

选中该复选框以使位图的白色填充区域变为透明。

## »» 注释

- 单击**默认值**可将**印记类型**设置为**文本**、将**印记文本**设置为**空白**、将**TrueType 字体**设置为**Arial**、将**风格**设置为**常规**、将**大小**设置为**36 磅**，取消选中**外框**，并将**颜色**设置为**灰色**，RGB 值(192、192、192)。

## 放置选项卡

在放置选项卡上，可以设置印记的打印位置。

### 预览窗口

显示在各个选项卡中配置的印记状态。

### 位置

指定页面上的印记位置。

从列表中选择**用户定义**，可以直接输入**X 轴位置**和**Y 轴位置**的坐标值。

### 方向

指定印记的旋转角度。可以通过输入角度值来设置角度。

负值会使印记顺时针旋转。

## »» 注释

- 仅当印记选项卡上的**印记类型**选择为**文本**或**日期/时间/用户名称**时，**方向**才能启用。

## »» 注释

- 单击**默认值**可将印记位置设置为**居中**并将方向设置为 0。

## 保存设置选项卡

在**保存设置**选项卡上，可以注册新的印记或删除不需要的印记。

### 标题

输入标题以保存所创建的印记。

最多可以输入 64 个字符。

## »» 注释

- 标题的开头和末尾不能输入空格、制表符和回车。

### 印记

显示已保存印记的标题列表。

在**标题**中指定标题以显示相应的印记。

### 保存/保存改写

保存印记。

在**标题**中输入标题，然后单击该按钮。

### 删除

删除不需要的印记。

从**印记**列表中指定不需要的印记的标题，然后单击该按钮。

## 背景选项卡

在背景选项卡上可以选择要用作背景的位图文件(.bmp)或决定打印所选背景的方式。

### 预览窗口

显示在**背景**选项卡上设置的位图状态。

### 文件

指定要用作背景的位图文件的名称。

### 选择文件...

打开用于打开文件的对话框。

单击该按钮选择要用作背景的位图文件(.bmp)。

### 布局方法

指定如何在纸张上放置背景图像。

当选择**用户定义**时，可以设置 **X 轴位置**和 **Y 轴位置**的坐标。

### 浓度

调整要用作背景的位图的浓度。

向右移动滑块将增加浓度，向左移动将减少浓度。要以原始位图浓度打印背景，请将滑块移至最右端。

## »» 注释

- 根据环境的不同，该功能可能不可用。
- 单击**默认值**可将**文件**设置为空白，**布局方法**设置为**填充页**，并将**浓度**滑块设置为中间位置。

## 保存设置选项卡

在**保存设置**选项卡上，可以注册新的背景或删除不需要的背景。

### 标题

输入标题以保存所指定的背景图像。

最多可以输入 64 个字符。

#### 注释

- 标题的开头和末尾不能输入空格、制表符和回车。

### 背景

显示已注册背景的标题列表。

在**标题**中指定标题以显示相应的背景。

### 保存/保存改写

将图像数据保存为背景。

插入**标题**后，单击该按钮。

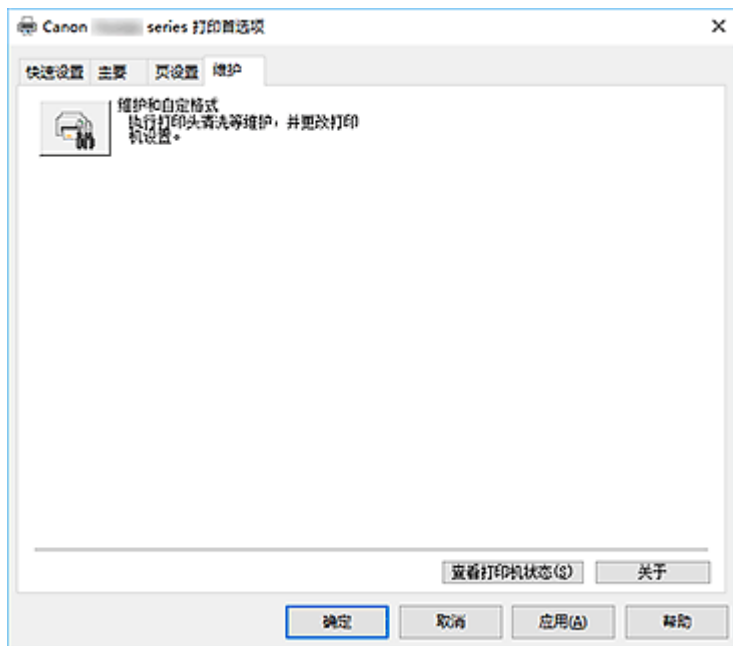
### 删除

删除不需要的背景。

从**背景**列表中指定不需要的背景的标题，然后单击该按钮。

## 维护选项卡的说明

使用**维护**选项卡可以启动 Canon IJ Printer Assistant Tool 或查看打印机状态。



### 维护和自定格式

启动 Canon IJ Printer Assistant Tool。  
可以执行打印机维护或更改打印机设置。

### 查看打印机状态

启动 Canon IJ Status Monitor。  
当想要查看打印机状态以及打印作业如何进行时，请执行该功能。

### 关于

打开[关于对话框](#)。  
可以查看打印机驱动程序版本以及版权通知。  
此外，可切换要使用的语言。

## 关于对话框

单击**关于**时，会显示**关于对话框**。

该对话框显示打印机驱动程序的版本、版权以及模块列表。可以选择要使用的语言并切换在设置窗口中显示的语言。

### 模块

列出打印机驱动程序模块。

### 语言

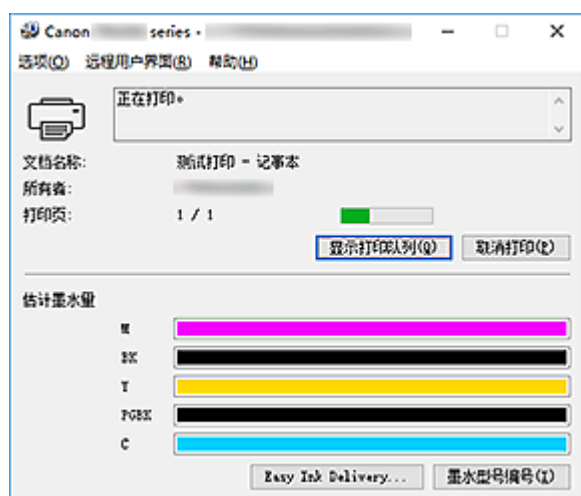
指定想要在[打印机驱动程序设置窗口](#)中使用的语言。

### 重要事项

- 如果系统中没有安装显示所选语言的字体，则字符将显示为乱码。

## Canon IJ Status Monitor 的说明

Canon IJ Status Monitor 显示打印机状态以及打印进程。通过状态监视器中的图像、图标和信息显示打印机状态。



## Canon IJ Status Monitor 的功能

Canon IJ Status Monitor 具有以下功能：

### 在屏幕上显示打印机状态

状态监视器实时显示打印机状态。  
可以检查每个要打印的文档(打印作业)的进程。

### 显示错误内容和纠正步骤

状态监视器会显示打印机上发生的所有错误信息。  
然后可以立即检查要执行何种措施。

### 墨水状态显示

状态监视器会显示墨水盒的类型和估计墨水量。  
剩余墨水量不足时，会显示警告图标和信息(缺墨警告)。

## Canon IJ Status Monitor 概述

Canon IJ Status Monitor 使用图像和信息显示打印机状态和墨水状态。

打印过程中，可以查看正在打印文档和打印进程的信息。

如果发生错误，状态监视器会显示错误内容和如何纠正错误的说明。按照信息进行操作。

### 打印机

当打印机出现警告或错误时，Canon IJ Status Monitor 会显示相应图标。



：有警告。



：有人为操作错误。



：有除警告或错误以外的通知。



：已出现需要维修的错误。

## 墨水盒

如果出现缺墨警告或空墨水盒错误，状态监视器会显示图标。状态监视器也使用图像来显示墨水盒的估计墨水量。

将光标移动到图像上以查看详细信息，如打印机可以使用的剩余墨水量和墨水盒的名称。

## 文档名称

正在打印的文档的名称。

## 所有者

正在打印的文档的所有者名称。

## 打印页

当前页面的页码和总页数。

## 显示打印队列

控制当前文档和等待打印文档的打印队列。

## 取消打印

取消打印。

## 估计墨水量

显示图标以报告剩余墨水量警告和墨水消耗错误。

墨水盒的估计墨水量也以图形方式显示出来。

## 墨水型号编号

可以为打印机查找正确的墨水盒。

## 选项菜单

如果显示打印机信息，请选择**启动 Status Monitor** 以启动 Canon IJ Status Monitor。

选择**启动状态监视器**以使用以下命令：

### 始终显示当前任务

只要有文档正在打印，则会显示 Canon IJ Status Monitor。

### 始终显示在最前部

将 Canon IJ Status Monitor 显示在其他窗口前面。

## 显示指南信息

显示复杂的纸张设置操作相关指南信息。

### 信封打印

信封打印开始时显示指南信息。

要隐藏该指南信息，请选择**不要再显示该信息**复选框。

要再次显示此指南信息，打开**选项菜单**，选择**显示指南信息**并单击**信封打印**，然后启用此设置。

### Hagaki 打印

在打印机开始 Hagaki 打印之前显示指南信息。

要显示此指南信息，打开**选项菜单**，选择**显示指南信息**并单击**Hagaki 打印**，然后启用此设置。

要隐藏该指南信息，请选择**不要再显示该信息**复选框。

## 自动显示警告

### 当出现“缺墨警告”时

出现缺墨警告时，自动启动 Canon IJ Status Monitor 窗口，并将其显示在其他窗口前面。



## Windows 启动时开始

Windows 启动时会自动启动 Canon IJ Status Monitor。

## 远程用户界面菜单

可以打开打印机的远程用户界面。

通过网络连接并使用打印机时，可以在打印机上查看打印机状态并运行维护功能。

### ▶▶▶ 注释

- 通过 USB 连接使用打印机时，不会显示**远程用户界面**。

## 打印机信息

可以检查打印机状态、打印进程和剩余墨水量等详细信息。

## 维护

可以运行打印机维护和更改打印机设置。

## 下载安全证书

将显示为**确保通讯安全**窗口。

使用该窗口可以下载路由认证，将其注册至浏览器并禁用警告显示。

## 帮助菜单

选择此菜单可显示包括版本和版权信息在内的 Canon IJ Status Monitor 的帮助信息。

## 安装 MP Drivers

您可以通过互联网访问我们的网站，并为所用型号下载最新的 MP Drivers。

### 1. 关闭打印机

### 2. 启动安装程序

双击下载文件的图标。

安装程序开始。

#### 重要事项

- 启动、安装或卸载软件时，可能会出现确认/警告对话框。  
当需要管理权限以执行任务时，会出现该对话框。  
当您以计算机管理员帐户登录时，单击**是**(或**继续**、**允许**)以继续。  
有些应用程序需要计算机管理员帐户才能继续。在这种情况下，请切换到管理员帐户，然后重新开始操作。

### 3. 安装 MP Drivers

请按照屏幕上的说明采取适当的操作。

### 4. 完成安装

单击**完成**。

根据使用的环境，可能会出现提示您重新启动计算机的信息。要正确完成安装，请重新启动计算机。

#### 重要事项

- MP Drivers 可以免费下载，但是您需要支付网络连接的费用。
- 在安装最新的 MP Drivers 之前，删除以前安装的版本。

## 相关主题

- 获取最新的 MP Drivers
- 删除不需要的 MP Drivers
- 安装 MP Drivers 之前

## 使用 Canon 应用程序软件打印

---

- ▶ Easy-PhotoPrint Editor 指南

## 使用 Web 服务打印

---

- ▶ 使用 PIXMA/MAXIFY Cloud Link
- ▶ 使用 Google Cloud Print 进行打印

## 从智能手机/平板电脑打印

---

- ▶ 从 iPhone/iPad/iPod touch 打印 (iOS)
- ▶ 从智能手机/平板电脑打印 (Android)
- ▶ 从 Windows 10 Mobile 设备打印
- ▶ [通过无线直连进行打印/扫描](#)

## 通过无线直连进行打印/扫描

可以通过以下两种方法将设备(例如智能手机或平板电脑)连接至打印机。

- 无线连接(通过无线路由器连接设备)
- 直接无线连接(使用无线直连接设备)

本节描述了无线直连,这种方式可以通过将设备直接连接至打印机进行打印或扫描。

请按照以下步骤使用无线直连。

1. 准备打印机。

■ [更改打印机设置以使用无线直连](#)

2. 准备要连接到打印机的设备。

■ [更改设备的设置并将其连接至打印机](#)

3. 进行打印/扫描。

■ [通过无线直连进行打印/扫描](#)


### 重要事项

- 最多可以将 5 台设备同时连接至打印机。
- 检查使用限制并将打印机切换至无线直连。

■ [限制](#)

## 更改打印机设置以使用无线直连

1. [确认打印机是否已开启。](#)

2. 在主页屏幕上选择  (设置)。

■ [使用操作面板](#)

3. 选择  设备设置。

4. 选择 LAN 设置。

5. 选择无线直连。

出现无线直连设置列表屏幕。

6. 选择设置。

7. 选择启用/禁用无线直连。

## 8. 选择开。

将启用无线直连，并且可以将设备通过无线方式连接到打印机。

### ►► 注释

- 要显示密码，请选择**显示密码**。要隐藏密码，请选择**隐藏密码**。
- **无线直连设置列表**屏幕显示了通过无线直连使用打印机时的设置。  
设备根据屏幕上显示的**网络名称(SSID)/设备名称**检测打印机。
- 将设备连接到打印机时需要输入密码。根据使用的设备不同，不需要输入密码。
- 将兼容 Wi-Fi Direct 的设备连接到打印机时，选择设备触摸屏上显示的设备名称。
- 会自动指定标识符(SSID)和安全设置。要进行更新，请参见以下内容。

#### ■ [更改无线直连设置](#)

## 更改设备的设置并将其连接至打印机

### 1. 在设备上开启 Wi-Fi 功能。

在设备的“设置”菜单中启用“Wi-Fi”。

有关打开 Wi-Fi 功能的更多信息，请参见设备的说明手册。

### 2. 从设备上显示的列表中选择“DIRECT-XXXX-TS9580series”（“X”表示字母数字字符）。

### ►► 注释

- 如果列表上未出现“DIRECT-XXXX-TS9580series”，则无线直连未启用。  
请参见[更改打印机设置以使用无线直连](#)，启用无线直连。

### 3. 输入密码。

设备已连接到打印机。

### ►► 注释

- 检查无线直连的密码。  
使用以下任一方法检查。
  - 在触摸屏上显示。  
■ [LAN 设置](#)
  - 打印网络设置。  
■ [打印网络设置](#)
- 根据使用的设备不同，需要输入密码以将设备通过 Wi-Fi 连接到打印机。输入为打印机指定的密码。
- 如果兼容 Wi-Fi Direct 的设备设置为优先使用 Wi-Fi Direct 且该设备正连接到打印机，打印机将显示确认屏幕，询问是否允许该设备连接到打印机。  
确保触摸屏上的名称与无线通讯设备名称一致，然后选择**是**。

## 通过无线直连进行打印/扫描

连接设备和打印机，然后开始打印/扫描。

### ▶▶▶ 注释

- 有关通过 Wi-Fi 从设备打印或扫描的更多信息，请参阅此设备或应用程序的说明手册。
- 可以通过安装 Canon PRINT Inkjet/SELPHY 从智能手机或平板电脑打印/扫描。请从 App Store 和 Google Play 下载。

- 对于 iOS
- 对于 Android

## 更改无线直连设置

按照以下步骤更改无线直连的设置。

### 1. [确认打印机是否已开启。](#)

### 2. 在主页屏幕上选择 (设置)。

- [使用操作面板](#)

### 3. 选择 设备设置。

### 4. 选择 LAN 设置。

出现 LAN 设置屏幕。

### ▶▶▶ 注释

- 要打印网络设置，请在 LAN 设置屏幕中选择打印详细信息。

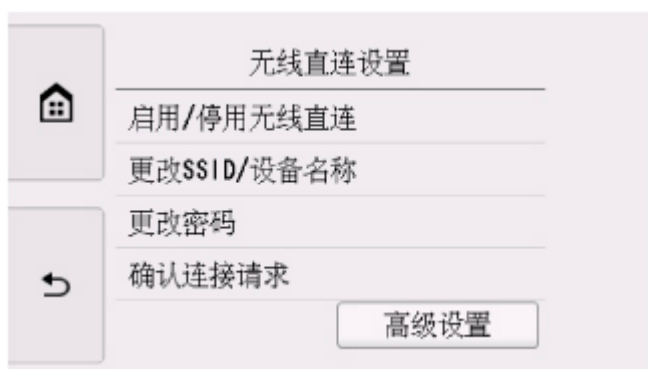
### 5. 选择无线直连。

出现无线直连设置列表屏幕。可以检查当前无线直连设置。

### 6. 选择设置。

### 7. 选择设置项目。





#### • 更改 SSID/设备名称

更改无线直连的标识符(SSID)。

标识符(SSID)是兼容 Wi-Fi Direct 的设备上显示的打印机名称(设备名称)。

请按照以下步骤更改标识符(SSID)。

1. 选择输入字段。
2. 输入标识符(SSID)(最多 32 个字符)，然后选择 **OK**。
3. 选择 **OK**。

选择 **OK** 完成标识符(SSID)的指定。

选择**自动更新**以显示确认屏幕。要更新标识符(SSID)和密码，请选择**是**。可以在**无线直连设置列表**屏幕上检查更新的标识符(SSID)/密码。

#### • 更改密码

更改无线直连的密码。

- 选择**手动更改**会显示输入字段。

请按照以下步骤更改密码。

1. 选择输入字段。
2. 输入密码(最多 10 个字符)，然后选择 **OK**。
3. 选择 **OK**。

选择 **OK** 完成密码的指定。

- 选择**自动更新**以显示确认屏幕。要更新标识符(SSID)和密码，请选择**是**。可以在**无线直连设置列表**屏幕上检查更新的标识符(SSID)/密码。

#### • 确认连接请求

更改兼容 Wi-Fi Direct 的设备连接到打印机时的确认屏幕设置。

如果要打印机显示兼容 Wi-Fi Direct 的设备正在连接到打印机的通知屏幕，请选择**是**。

### ▶▶▶ 重要事项

- 为防止未经授权的访问，建议不要更改默认设置。

8. 点击  (主页)。

显示主页屏幕。

## 注釋

- 如果更改打印机的无线直连设置，请同时更改设备的无线路由器设置。

## 打印照片数据

---

- ▶ 打印保存在存储卡中的照片 **基本**
- ▶ 使用操作面板设置照片打印的项目


## 打印保存在存储卡中的照片

可以轻松打印保存在存储卡上的照片。

本节描述在**选择照片打印**中打印照片的步骤。

1. [确认打印机是否已开启。](#)

2. [请装入照片纸。](#)

3. 在主页屏幕上选择  打印。

■ [使用操作面板](#)

4. 选择  存储卡。

显示存储卡打印菜单。

5. 选择  选择照片打印。

6. [将存储卡插入存储卡插槽。](#)

显示照片选择屏幕。

### ▶▶▶ 注释

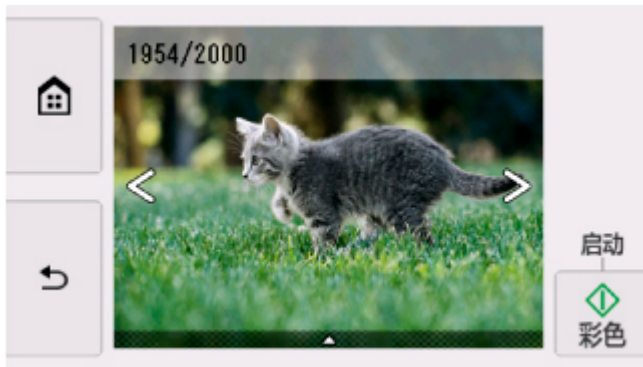
- 在显示存储卡打印菜单前插入存储卡时，将显示照片选择屏幕。
- 如果存储卡上没有保存可打印的照片数据，触摸屏上会显示**未保存所支持类型的数据。**。
- 如果存储卡上保存的照片数据超过 2,000 张，则会按时间倒序(最后修改日期)以每 2,000 张一组自动分割照片数据。检查触摸屏上显示的信息，然后选择 **OK**。

7. 根据需要指定设置。

- 要选择要打印的照片：

水平滑动以选择照片。

也可以通过点击  或  选择照片。



可以通过点击**彩色**打印所显示照片的副本。

- 要更改显示方式、份数或打印设置：

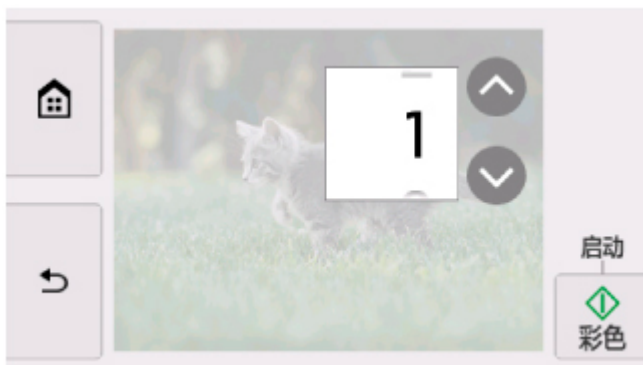
点击靠近所显示照片底部的△以显示菜单。



A: 显示总份数

点击后，显示**检查总份数**屏幕，即可检查每张照片的份数。在**检查总份数**屏幕上，可以更改每张照片的份数。

B: 指定份数



点击  或  以指定份数。

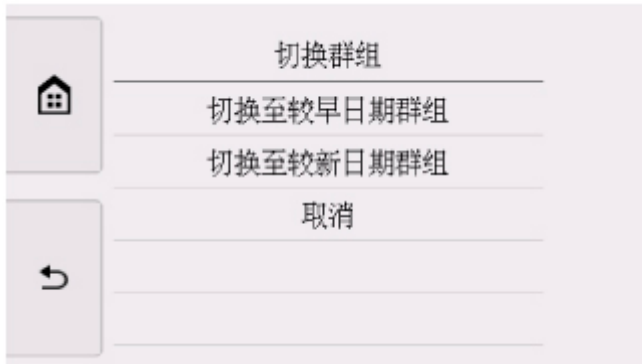
按住可以 10 份为单位指定份数。

也可以通过滑动数字来指定。

## 注 释

- 可以指定每张照片的份数。显示要打印的照片，然后在显示所需照片时指定份数。

C: 选择以切换照片群组。



有关详细资料：

- 使用有用的显示功能

D: 选择以显示**设置**屏幕。

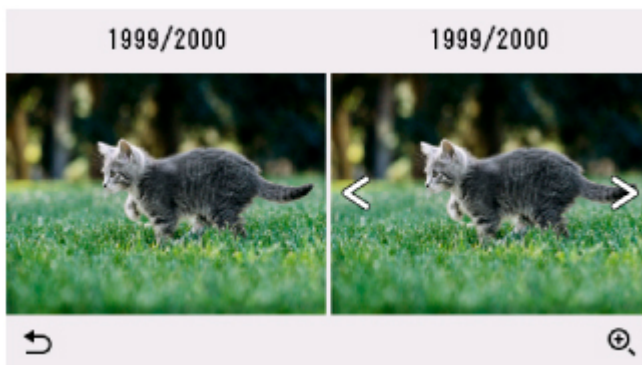
可以更改页尺寸、介质类型、打印质量等设置。



有关设置项目的更多信息，请参见：

- [使用操作面板设置照片打印的项目](#)

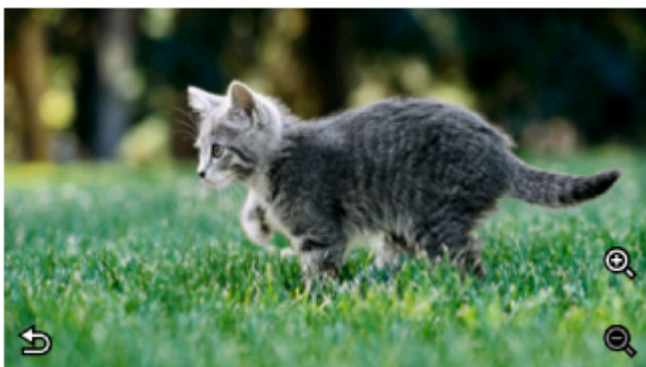
E: 选择以并排显示两张照片。



有关显示方式的更多信息，请参见：

- 使用有用的显示功能

F: 选择以放大照片。



有关详细资料：

■ 使用有用的显示功能

G：选择以指定日期(最后修改数据的日期)显示照片。



有关详细资料：

■ 使用有用的显示功能

H：选择以一次显示多张照片。



有关显示方式的更多信息，请参见：

■ 使用有用的显示功能

## 8. 点击彩色。

打印机开始打印。

### ▶▶▶ 注释

- 点击停止以取消打印。
- 处理打印作业时，可以添加打印作业(预约照片打印)。

## 添加打印作业

打印照片时可以添加打印作业(预约照片打印)。

请按照以下步骤添加打印作业。

### 1. 打印时滑动照片以选择下一张照片。

#### ▶▶▶ 注释

- 选择照片时，打印机会打印预约的照片。



- 预约照片的图标会出现在打印作业中的照片上。

### 2. 为每张照片指定份数和打印设置。

#### ▶▶▶ 注释

- 处理打印作业时，无法在打印设置确认屏幕上更改**页尺寸**或**类型**的设置。此设置与打印作业中的照片的设置相同。

### 3. 点击**彩色**。

保留的照片在已开始打印的照片完成之后打印。

如果要打印更多的照片，请从步骤 1 开始重新操作。

#### ▶▶▶ 注释

- 处理打印作业时，无法显示主页屏幕、更改打印菜单，或从计算机或其他设备打印。
- 处理打印作业时，未选择其他组中的照片。
- 如果在处理打印作业时点击**停止**，将显示选择相应方法以取消预约的屏幕。如果选择**取消所有预约**，可以取消打印所有照片。如果选择**取消最后一次预约**，可以取消最后的打印作业。
- 如果存在多个打印作业，触摸屏上可能会显示“**无法预约更多打印作业。请稍候并重新操作。**”。在这种情况下，请等待一段时间，然后再添加打印作业。



## 使用操作面板设置照片打印的项目

可以指定页尺寸、介质类型、照片修复等设置以打印保存在存储卡上的照片。

### 打印设置屏幕

显示打印设置屏幕的方式随打印菜单而不同。

- 在选择照片打印或幻灯片放映中：

选择设置显示以下屏幕。



- 在剪裁打印中：



打印前显示以下屏幕。



### 设置项目

垂直滑动以显示设置项目，然后选择设置项目以显示设置。选择以指定设置。

#### 注释

- 根据打印菜单，某些设置项目无法选择。本节描述选择照片打印的设置项目。  
无法选择的设置项目显示为灰色或不显示。
- 某些设置无法和其他设置项目或打印菜单一起指定。如果选择了不能组合指定的设置，触摸屏上会显示  和错误详细信息。在这种情况下，选择触摸屏左上方的  以检查信息及更改设置。
- 即使选择了其他打印菜单或关闭打印机，页尺寸、介质类型等设置仍会保留。

可以指定以下设置项目。

- **纸张来源**

选择已装入纸张的纸张来源(后端托盘/纸盒/自动)。

▶▶▶ **注释**

- 选择**自动**时，从相应的纸张来源送入纸张，该纸张来源装有与纸张尺寸和介质类型相匹配的纸张。

- **页尺寸**

选择已装入纸张的页尺寸。

- **类型** (介质类型)

选择已装入纸张的介质类型。

- **打印质量** (打印质量)

根据照片选择打印质量。

- **边距** (有边距打印/无边距打印)

选择有边距或无边距打印。

- **照片修复**

选择**自动照片修复**时，将识别拍摄照片中的场景或人物的面部，并自动对每张照片做最合适的修正。可以增亮逆光拍摄中变暗的面部以打印。也可分析如风景、夜景、人物等场景，并自动用最合适的色彩、亮度或对比度修正每个场景以打印。

▶▶▶ **注释**

- 默认情况下，使用已应用的自动修正打印存储卡上的照片。
- 如果选择了**无修正**，则打印照片时不进行修正。

- **红眼修正**

修正由于闪光摄影造成的肖像中的红眼。

根据照片类型，可能无法修正红眼或修正除红眼外的其他部分。

- **打印日期**

激活/停用在照片上打印日期(拍摄日期)。

▶▶▶ **注释**

- 拍摄日期会根据**日期显示格式**的设置进行打印，该设置位于**设备设置**下的**其他设备设置**中。

■ [其他设备设置](#)

## 光盘标签打印

---

- ▶ 复印光盘的标签面  基本
- ▶ 在光盘标签上打印存储卡中的照片


## 复印光盘的标签面

可以复印现有的 BD/DVD/CD 光盘标签面，并将其打印在可打印光盘上。

### 重要事项

- 无法在 8 厘米/3.15 英寸可打印光盘上打印。
- 出现提示您装入可打印光盘的信息时，再安装多用途托盘。否则会损坏打印机。

#### 1. [确认打印机是否已开启。](#)

2. 在主页屏幕上选择  复印。

■ [使用操作面板](#)

3. 选择  光盘标签。

4. 查看信息并选择 **OK**。

显示打印区域设置屏幕。

5. 指定打印区域，然后选择 **OK**。



A: 指定外径。

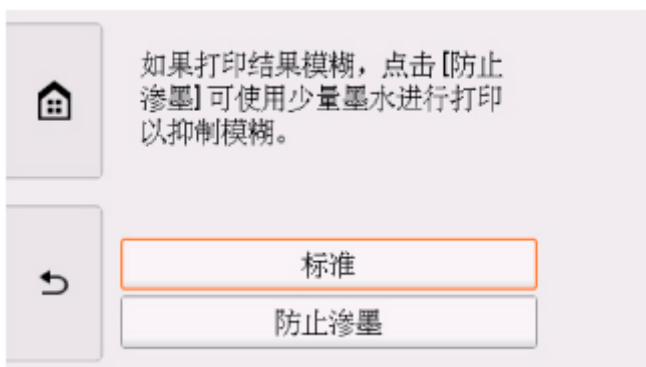
B: 指定内径。

### 注释

- 测量可打印光盘打印面的内外直径，并确保设置的值小于外径的测量值并且大于内径的测量值。
- 有关可打印光盘的信息，请联系其制造商。

6. 指定墨水量。

如果打印结果模糊，请选择**防止渗墨**。通过使用少量墨水进行打印以改善模糊情况。



7. 按照屏幕上的说明在稿台玻璃上放置作为复印来源的 BD/DVD/CD 光盘，然后选择 **OK**。



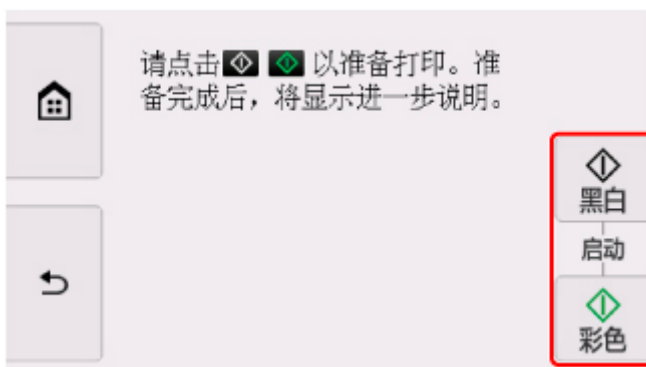
显示打印设置确认屏幕。

### 重要事项

- 务必将作为复印来源的 BD/DVD/CD 光盘的标签面向下放置在稿台玻璃的中央。如果将其放置在稿台玻璃的边缘附近，图像的一部分可能被裁切。

8. 打开操作面板直到其水平。

9. 检查信息后，点击**彩色**执行彩色复印，或点击**黑白**执行黑白复印。



10. 请按照屏幕上的说明放置可打印光盘。



### 注 释

- 选择**如何放置**，可以查看放置可打印光盘的步骤。
- 有关设置可打印光盘的更多信息，请参见：

■ [放置可打印光盘](#)

## 11. 选择 **OK**。

打印机开始复印。

### 注 释

- 单击**停止**以取消复印。
- 打印完成后，让光盘打印面自然晾干。请勿使用吹风机或将光盘暴露于阳光直射下以晾干墨水。请勿在墨水晾干前触摸打印面。
- 如果打印未对齐，请使用**设备设置**下**打印设置**中的**调整光盘打印区域**调整打印位置。

■ [打印设置](#)

## 在光盘标签上打印存储卡中的照片

可以将保存在存储卡上的照片打印到可打印光盘的光盘标签上。

### 重要事项

- 无法在 8 厘米/3.15 英寸可打印光盘上打印。
- 出现提示您装入可打印光盘的信息时，再安装多用途托盘。否则会损坏打印机。

#### 1. [确认打印机是否已开启。](#)

#### 2. 在主页屏幕上选择 打印。

■ [使用操作面板](#)

#### 3. 选择 存储卡。


显示存储卡打印菜单。

#### 4. 选择 打印照片到光盘标签。

#### 5. [将存储卡插入存储卡插槽。](#)

### 注释

- 在显示存储卡打印菜单前插入存储卡时，将显示**选择照片打印**中的照片选择屏幕。

要显示主页屏幕，请点击  (主页)。

- 如果存储卡上没有保存可打印的照片数据，触摸屏上会显示**未保存所支持类型的数据。**
- 如果存储卡上保存的照片数据超过 2,000 张，则会按时间倒序(最后修改日期)以每 2,000 张一组自动分割照片数据。检查触摸屏上显示的信息，然后选择 **OK**。

#### 6. 查看信息并选择 **OK**。

显示打印区域设置屏幕。

#### 7. 指定打印区域，然后选择 **OK**。



A: 指定外径。

B: 指定内径。

### ▶▶▶ 注释

- 测量可打印光盘打印面的内外直径，并确保设置的值小于外径的测量值并且大于内径的测量值。
- 有关可打印光盘的信息，请联系其制造商。

## 8. 指定墨水量。

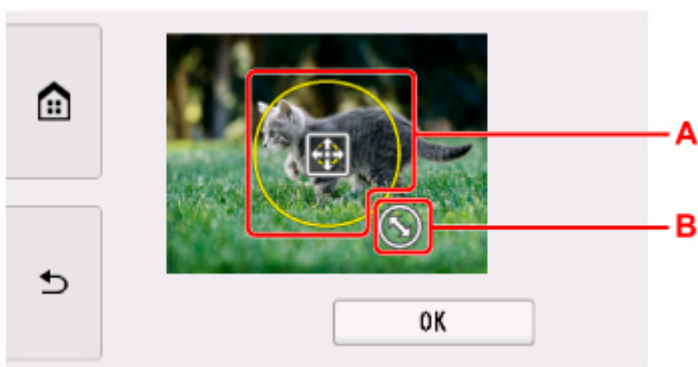
如果打印结果模糊，请选择**防止渗墨**。通过使用少量墨水进行打印以改善模糊情况。

## 9. 选择要打印的照片。

### ▶▶▶ 注释

- 其他选项
  - 使用有用的显示功能

## 10. 通过剪裁指定打印区域，然后选择 **OK**。



A: 拖动以指定剪裁边框的位置。

B: 拖动以设置剪裁边框的尺寸。

## 11. 打开操作面板直到其水平。

## 12. 检查信息，然后点击**彩色**。



13. 请按照屏幕上的说明放置可打印光盘。

»» 注释

- 选择**如何放置**，可以查看放置可打印光盘的步骤。
- 有关设置可打印光盘的更多信息，请参见：
  - [放置可打印光盘](#)

14. 选择 **OK**。

打印机开始打印。

»» 注释

- 点击**停止**以取消打印。
- 打印完成后，让光盘打印面自然晾干。请勿使用吹风机或将光盘曝露于阳光直射下以晾干墨水。请勿在墨水晾干前触摸打印面。
- 如果打印未对齐，请使用**设备设置**下**打印设置**中的**调整光盘打印区域**调整打印位置。
  - [打印设置](#)

## 纸张设置

通过注册装入后端托盘或纸盒的纸张尺寸和介质类型，可以在装入纸张的尺寸或介质类型与打印设置不同时先显示信息然后再开始打印，从而防止打印机误打印。

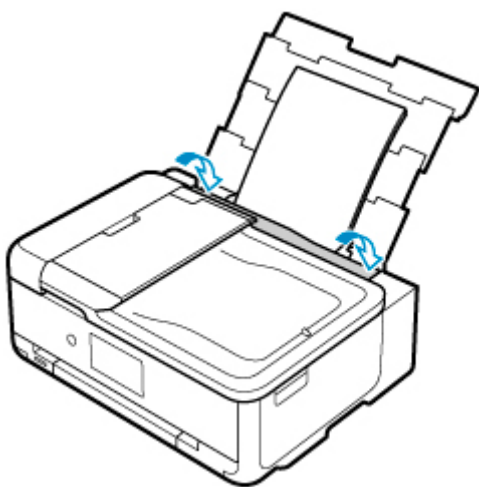
### 注 释

- 从打印机的操作面板进行打印或复印、从智能手机/平板电脑打印、从 Windows 打印以及从 macOS 打印时的默认显示设置都不同。

#### ■ [显示防止误打印的信息的默认设置](#)

### 装入纸张后：

- 关闭进纸插槽盖板时：



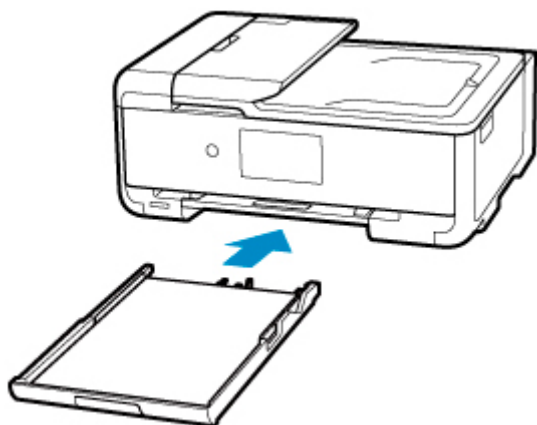
显示注册后端托盘纸张信息的屏幕。



如果触摸屏上的页尺寸与后端托盘中装入的纸张的尺寸相匹配，请选择**是**。

否则，选择**更改**，根据已装入纸张的尺寸更改设置。

- 插入纸盒时：



显示注册纸盒纸张信息的屏幕。



如果触摸屏上的页尺寸与纸盒中装入的纸张的尺寸相匹配，请选择**是**。

否则，选择**更改**，根据已装入纸张的尺寸更改设置。

\* 仅可在纸盒中装入普通纸。

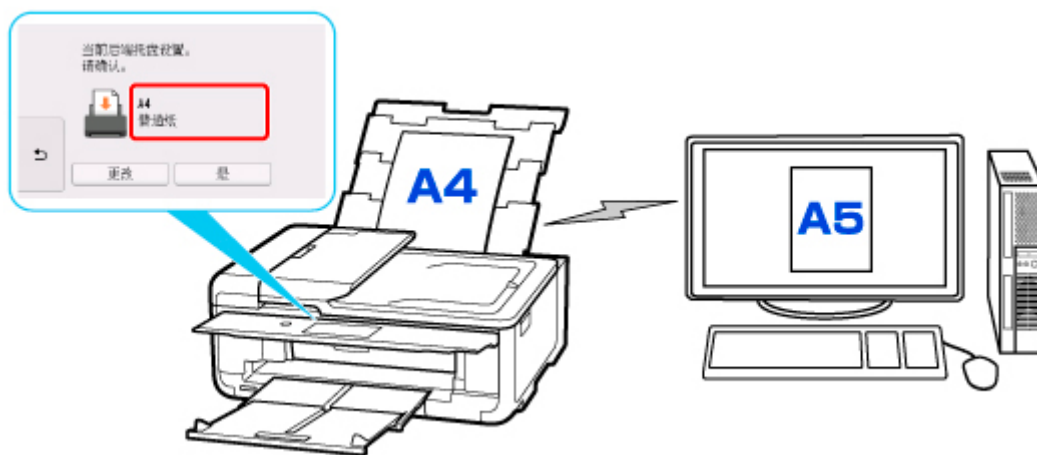
### 重要事项

- 有关可以通过打印机驱动程序(Windows)或在触摸屏上指定的正确纸张设置组合的更多信息，请参见：
  - [打印机驱动程序和打印机上的纸张设置\(介质类型\)](#)
  - [打印机驱动程序和打印机上的纸张设置\(纸张尺寸\)](#)

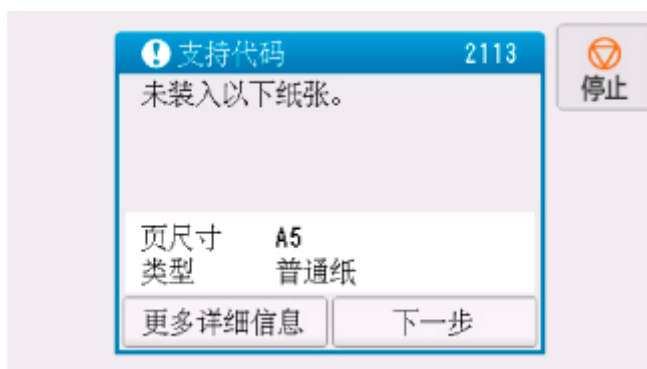
### 用于打印/复印的纸张设置与打印机上注册的纸张信息不同时：

例如：

- 用于打印/复印的纸张设置：A5
- 打印机上注册的纸张信息：A4



开始打印/复印时，会显示信息并在此信息下方显示为打印/复印指定的纸张设置。



查看信息，并选择下一步。显示选择操作屏幕时，选择以下操作之一。

### 注 释

- 根据设置，可能不会显示以下选项。

#### 以装入的纸张进行打印。

如果要在不更改纸张设置的情况下在装入的纸张上打印/复印，请选择此项。

例如，如果用于打印/复印的纸张设置为 A5，而打印机中注册的纸张信息为 A4，则打印机将在后端托盘或纸盒中装入的纸张上开始打印/复印，而不更改用于打印/复印的纸张尺寸设置。


#### 替换纸张并打印

如果要在更换后端托盘或纸盒中的纸张后进行打印，请选择此项。

例如，如果用于打印/复印的纸张尺寸设置为 A5，而打印机中注册的纸张信息为 A4，则先在后端托盘或纸盒中装入 A5 尺寸的纸张，然后再开始打印/复印。

更换纸张后，将显示纸张信息注册屏幕。根据装入的纸张，注册纸张信息。

### 注 释

- 如果不知道要注册到打印机的纸张信息，当显示选择操作屏幕时，点击  (返回)。
- 有关可以通过打印机驱动程序(Windows)或在触摸屏上指定的正确纸张设置组合的更多信息，请参见：
  - [打印机驱动程序和打印机上的纸张设置\(介质类型\)](#)
  - [打印机驱动程序和打印机上的纸张设置\(纸张尺寸\)](#)

## 取消

取消打印。

更改打印/复印的指定纸张设置时选择此项。更改纸张设置并重试打印/复印。

## 显示防止误打印的信息的默认设置

- 使用打印机的操作面板打印/复印或从智能手机/平板电脑打印时：

默认启用防止误打印的信息。

要更改设置：

■ [送纸设置](#)

- 从 Windows 打印时：

默认禁用防止误打印的信息。

要更改设置：

■ [更改打印机操作模式](#)

- 从 macOS 打印时：

默认启用防止误打印的信息。

要更改设置：

■ [更改打印机操作模式](#)

## 重要事项

- 禁用防止误打印的信息时：

即使用于打印/复印的纸张设置与打印机中注册的纸张信息不同，打印机也会开始打印/复印。

# 复印



进行复印 **基础**



缩小/放大复印件



双面复印



逐份复印



特殊复印菜单




使用智能手机或平板电脑复印

## 进行复印

本节描述使用**标准复印**进行复印的步骤。

1. [确认打印机是否已开启。](#)

2. [装入纸张。](#)

3. 在主页屏幕上选择  **复印**。

■ [使用操作面板](#)

4. 选择  **标准复印**。

显示复印待机屏幕。

5. [将原件放置在稿台玻璃上或 ADF\(自动输稿器\)中。](#)

6. 根据需要指定设置。



A: 显示扫描方法和复印布局。

切换从自动输稿器扫描的方法和布局(单面/双面)。

B: 指定份数。



点击  或  以指定份数。

如果按住此处，数字会以 10 为单位滚动。

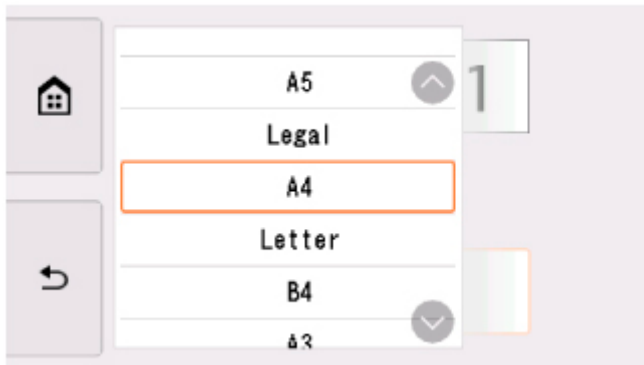
也可以通过滑动数字来指定。

C: 显示打印设置项目。

有关设置项目的更多信息，请参见：

#### ■ [设置复印项目](#)

D: 指定页面尺寸和介质类型。



7. 点击**彩色**执行彩色复印，或**黑白**执行黑白复印。

打印机开始复印。

复印完成后从稿台玻璃上或文档输出槽中取出原稿。

#### ▶▶▶ 重要事项

- 如果将原稿放置在稿台玻璃上，触摸屏上显示**正在扫描文档...**时，请勿打开文档盖板或取出原稿。
- 如果将原稿放置在自动输稿器中，请勿移动原稿直至复印完成。

#### ▶▶▶ 注释

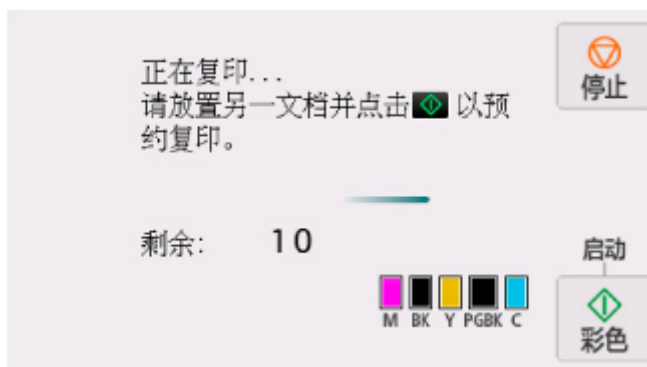
- 要取消复印，请点击**停止**。

## 添加复印作业(预约复印)

如果将原稿放置在稿台玻璃上，则可以在打印时添加复印作业(预约复印)。

添加复印作业时显示以下屏幕。





将原稿放置在稿台玻璃上，然后点击以前点击过的相同按钮(彩色或黑白)。

### 重要事项

- 将原稿放置在稿台玻璃上时，轻轻移动文档盖板。

### 注释

- 当打印质量设置为高时，无法添加复印作业。
- 添加复印作业时，份数或设置如页尺寸、介质类型无法更改。
- 如果在处理预约复印时点击**停止**，将显示选择相应方法以取消复印的屏幕。如果选择**取消所有预约**，可以取消复印所有扫描数据。如果选择**取消最后一次预约**，可以取消最后的复印作业。
- 如果放置太多页文档以至于无法添加复印作业时，触摸屏上可能会出现“**无法添加更多复印作业。请稍候并重新操作。**”。选择 **OK** 并等待一段时间，然后重新尝试复印。
- 如果扫描时**预约复印作业失败**，请**重新开始**。出现在触摸屏上，选择 **OK** 并点击**停止**以取消复印。此后，复印未完成复印的文档。

## 设置复印项目

可以更改复印设置，如缩放倍率和浓度。

### 打印设置屏幕

#### 注释

- 有关打印设置屏幕或照片复印设置项目的更多信息，请参见复印照片。

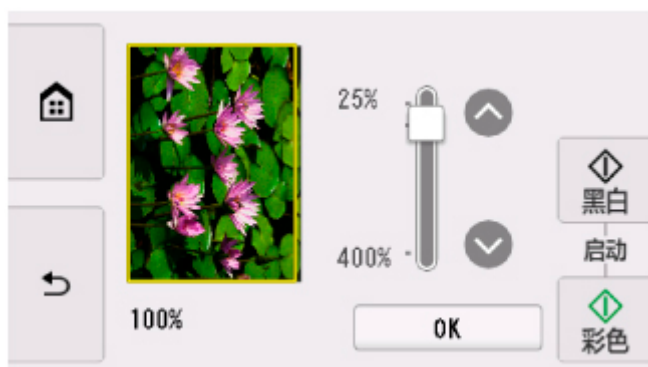
通过选择复印待机屏幕上的**设置**可以显示以下屏幕。

标准复印中的示例：



### 预览

打印设置屏幕上显示**预览**时，选择**预览**可以在预览屏幕上预览打印输出图像。



有关详细资料，请参见以下内容。

- 显示预览屏幕


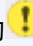
### 设置项目

滑动以显示设置项目，然后选择设置项目以显示设置。选择以指定设置。

#### 注释

- 根据复印菜单，某些设置项目无法选择。本节描述**标准复印**的设置项目。无法选择的设置项目显示为灰色。

有关**照片复印**设置项目的更多信息，请参见复印照片。

- 某些设置无法和其他设置项目或复印菜单的设置一起指定。如果选择了不能组合指定的设置，触摸屏上会显示 。在这种情况下，选择触摸屏左上方的  以检查信息及更改设置。
- 即使关闭打印机，页尺寸、介质类型等设置仍会保留。
- 开始复印时，如果复印菜单中的指定设置不可用，触摸屏上会显示“指定功能在当前设置下不可用。”。请按照屏幕上的说明更改设置。

可以更改以下设置项目。

- **浓度**

指定浓度。



A: 选择此选项可激活/停用自动浓度调整。

选择**开**时，根据放置在稿台玻璃上的原稿自动调整浓度。

B: 拖动以指定浓度。

- **缩放 (缩放)**

指定缩小/放大方式。

■ 缩小/放大复印件

- **纸张来源**

选择已装入纸张的纸张来源(后端托盘/纸盒/自动)。

### ▶▶▶ 注释

- 选择**自动**时，从相应的纸张来源送入纸张，该纸张来源装有与纸张尺寸和介质类型相匹配的纸张。

- **页尺寸**

选择已装入纸张的页尺寸。

- **类型 (介质类型)**

选择已装入纸张的介质类型。

- **打印质量 (打印质量)**

根据原稿调整打印质量。

### ▶▶▶ 重要事项

- **类型**设置为**普通纸**且打印质量选择为**草稿**时，如果复印质量未达到预期效果，请选择**打印质量**为**标准**或**高**并再次尝试复印。

• 将**打印质量**选择为**高**以进行灰度复印。灰度使用灰色色系而不是黑色或白色进行调色。

• **布局**

选择布局。

■ 将两页复印到一页上

■ 将四页复印到一页上

• **输稿器双面扫描**

选择是否从 ADF(自动输稿器)执行双面扫描。

■ 双面复印

• **双面打印设置**

选择是否执行双面复印。

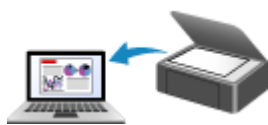
■ 双面复印

• **逐份打印**

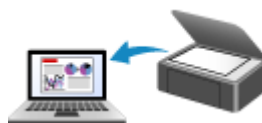
对多页原稿进行多套复印时，选择是否获得分套的打印输出。

■ 逐份复印

## 扫描



从计算机扫描 (Windows)



从计算机扫描 (macOS)



从操作面板扫描



使用智能手机/平板电脑扫描

## 从计算机扫描 (Windows)

---

### ▶ 根据项目类型或用途进行扫描(IJ Scan Utility)

- IJ Scan Utility 功能
- 轻松扫描(自动扫描) **基础**
- 扫描文档和照片
- 创建/编辑 PDF 文件
  - 设置 PDF 文件密码
  - 编辑受密码保护的 PDF 文件

### ▶ 使用应用程序软件(ScanGear)扫描

### ▶ 扫描提示

- 放置原稿(从计算机扫描)
- 网络扫描设置
  - IJ Network Scanner Selector EX2 菜单和设置屏幕

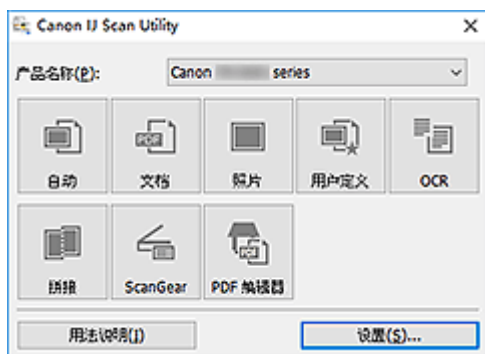
## 根据项目类型或用途进行扫描(IJ Scan Utility)

---

- ▶ IJ Scan Utility 功能
- ▶ 轻松扫描(自动扫描) **基础**
- ▶ 扫描文档和照片
- ▶ 创建/编辑 PDF 文件
  - 设置 PDF 文件密码
  - 编辑受密码保护的 PDF 文件

## IJ Scan Utility 功能

使用 IJ Scan Utility 只需通过单击相应图标就可以一次性完成扫描及保存文档、照片或其他项目。



### 多种扫描模式

使用**自动**模式只需单击一次即可使用默认设置扫描多种项目。**文档**会锐化文档或杂志中的文本以提高可读性，而**照片**最适合扫描照片。

#### 注 释

- 有关 IJ Scan Utility 主屏幕的详细资料，请参见 IJ Scan Utility 主屏幕。

### 自动保存扫描的图像

扫描的图像会自动保存至预设文件夹。可以根据需要更改文件夹。

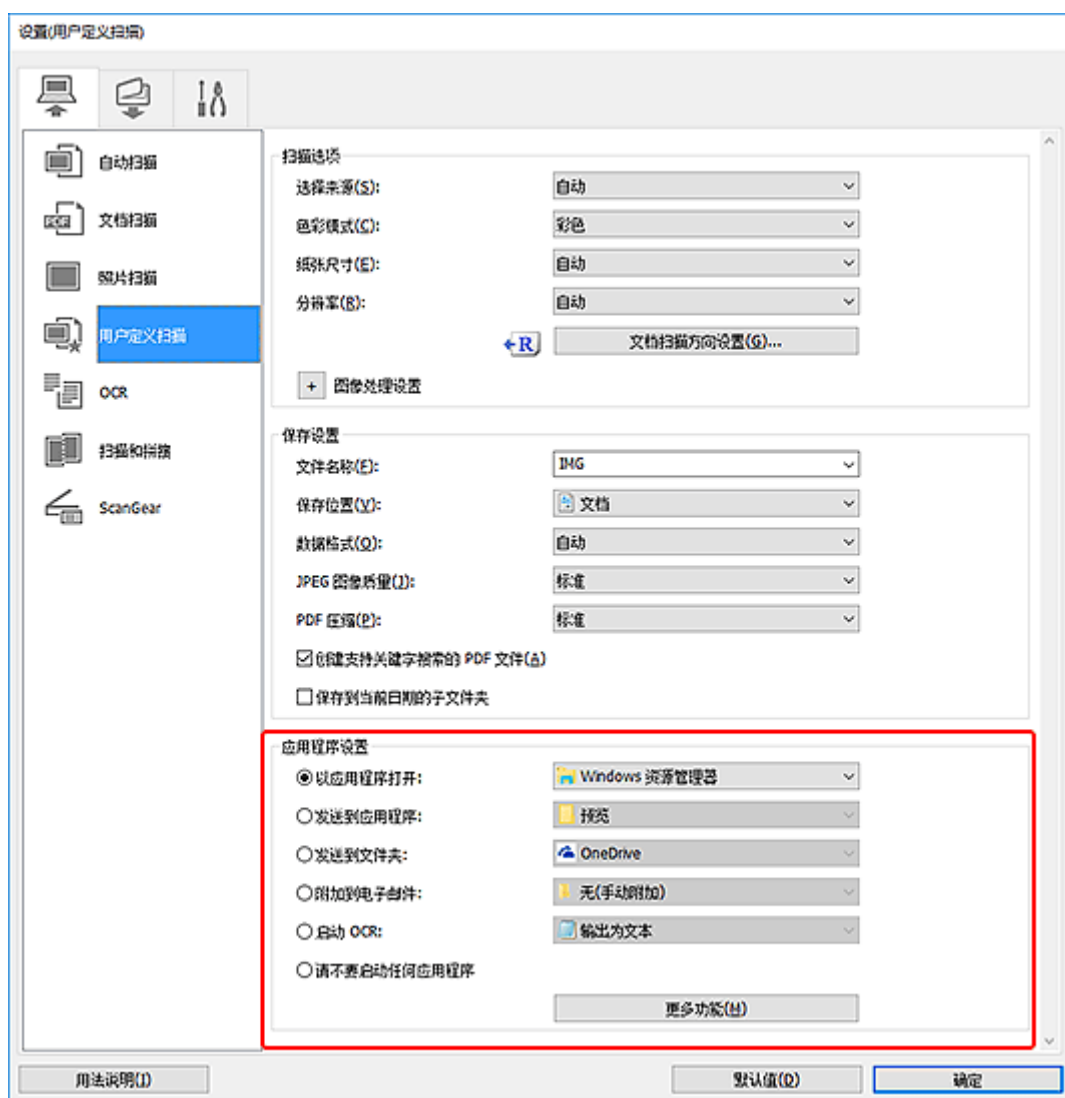
#### 注 释

- 默认保存至以下文件夹。
  - **Windows 10/Windows 8.1:**  
文档文件夹
  - **Windows 7:**  
我的文档文件夹
- 要更改文件夹，请参见设置对话框。

### 应用程序的集成

可以将扫描的图像发送至其他应用程序。例如，在喜爱的图形应用程序中显示扫描的图像、将其附加到电子邮件或从图像提取文本。





## 注 释

- 要设置与之集成的应用程序，请参见设置对话框。

## 轻松扫描(自动扫描)

使用自动扫描可以自动检测放置在稿台玻璃或 ADF(自动输稿器)上项目的类型。

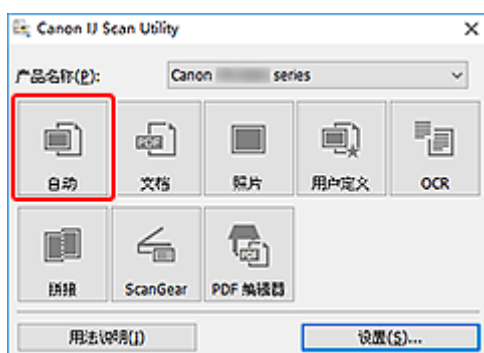
### 重要事项

- 可能无法正确扫描以下类型的项目。在这种情况下，在 ScanGear(扫描仪驱动程序)的完整图像视图中调整裁剪框(扫描区域)，然后再次扫描。
  - 背景发白的照片
  - 打印在白纸上的项目、手写文本、名片和其他不清晰的项目
  - 薄的项目
  - 厚的项目
- 从自动输稿器扫描两个或更多个文档时，请放置相同尺寸的文档。

1. 确保扫描仪或打印机已开启。
2. 将项目放置在稿台玻璃或自动输稿器上。

#### ■ 放置原稿(从计算机扫描)

3. 启动 IJ Scan Utility。
4. 单击自动。



扫描开始。

### 注释

- 要取消扫描，请单击取消。
- 使用设置(自动扫描)对话框可以设置保存已扫描图像的位置以及进行高级扫描设置。
- 要扫描特定项目类型，请参见以下页面。
  - 扫描文档和照片
  - 使用收藏夹设置扫描
  - 从 ADF(自动输稿器)一次扫描多个文档

## 扫描文档和照片

使用适合文档或照片的设置，扫描放置在稿台玻璃上的项目。

以 PDF 和 JPEG 格式保存文档，以 JPEG 和 TIFF 格式保存照片。

### 1. 将项目放置在稿台玻璃上

■ ■ [放置原稿\(从计算机扫描\)](#)

### 2. 启动 IJ Scan Utility。

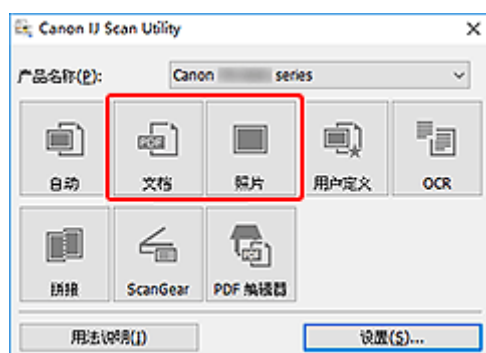
### 3. 要指定纸张尺寸、分辨率 PDF 设置等，单击**设置...**，然后在设置对话框中设置各项。

#### ▶▶▶ 注释

- 在设置对话框中完成设置后，下次可以使用相同的设置进行扫描。
- 在设置对话框中，根据需要指定图像处理设置(例如倾斜修正和轮廓强调)、设置已扫描图像接收方等。

当设置完成时，单击**确定**。

### 4. 单击**文档**或**照片**。



扫描开始。

#### ▶▶▶ 注释

- 要取消扫描，请单击**取消**。

## 创建/编辑 PDF 文件

可以通过扫描放置在稿台玻璃或 ADF(自动输稿器)上的项目，创建 PDF 文件。可以在创建的 PDF 文件中添加页面、删除页面、重新排列页面或进行其他编辑。

### 重要事项

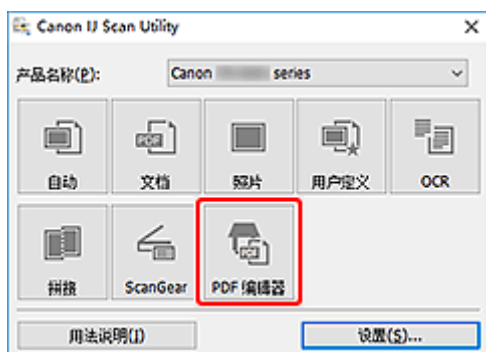
- 一次最多可以创建或编辑 100 页 PDF 文件。
- 仅支持在 IJ Scan Utility 或 IJ PDF Editor 中创建或编辑的 PDF 文件。不支持在其他应用程序中创建或编辑的 PDF 文件。

### 注释

- 也可以从计算机上保存的图像创建 PDF 文件。
- 可选择文件格式为 PDF、JPEG、TIFF 和 PNG。
- 无法使用垂直或水平方向像素数等于或大于 10501 的图像。
- 选择受密码保护的 PDF 文件时，必须输入密码。

#### ■ 编辑受密码保护的 PDF 文件

1. 将项目放置在稿台玻璃或自动输稿器上。
2. 启动 IJ Scan Utility。
3. 单击 **PDF 编辑器**。




将启动 IJ PDF Editor。

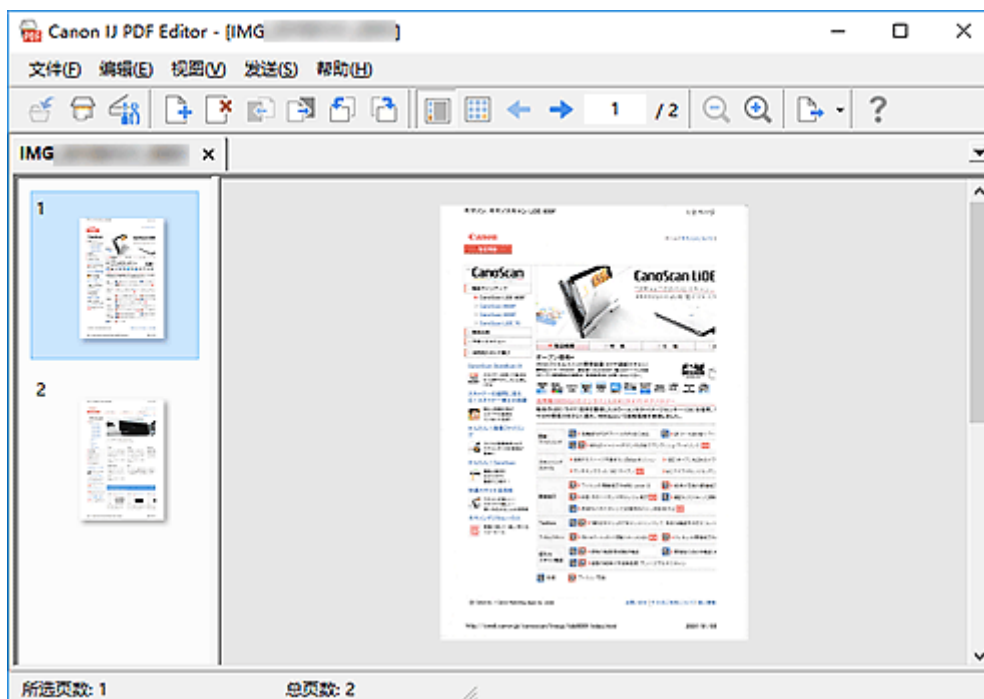
4. 要指定纸张尺寸、分辨率和其他设置，请单击**文件**菜单中的**设置...**，然后在设置(文档扫描)对话框中设置各项。

### 注释

- 在设置对话框中完成设置后，下次可以使用相同的设置进行扫描。
- 在设置对话框中，指定倾斜修正和轮廓增强等图像处理设置。

当设置完成时，单击**确定**。

5. 单击工具条中的  (扫描)。




扫描开始。

### ►►► 注释


- 要打开计算机上保存的文件，单击**文件**菜单中的**打开...**，然后选择要编辑的文件。
- 可以使用工具条按钮切换视图。有关详细资料，请参见 PDF 编辑屏幕。

## 6. 根据需要添加页面。

**扫描并添加更多项目时：**

放置项目，然后单击工具条上的  (扫描)。

**添加现有图像或 PDF 文件时：**



单击工具条上的  (添加页面)。出现**打开**对话框后，选择要添加的图像或 PDF 文件，然后单击**打开**。

### ►►► 注释


- 也可以从**文件**菜单中的**从保存的数据添加页...**添加图像或 PDF 文件。

## 7. 根据需要编辑页面。

**更改页序时：**

单击要移动的页，然后单击工具条上的  (上移一页)或  (下移一页)以更改页序。也可以通过将页面拖拽到目标位置来更改页面顺序。

**删除页面时：**

单击要删除的页，然后单击工具条上的  (删除页面)。

## »» 注释

- 已创建两页或更多页时显示这些按钮。

### 8. 在文件菜单中选择另存为...

会出现**保存**对话框。

### 9. 指定保存设置。

- **保存对话框**(PDF 编辑屏幕)


### 10. 单击**保存**。

PDF 文件已保存。

## »» 注释

- 编辑受密码保护的 PDF 文件时，密码将删除。在**保存**对话框中重设密码。

- **设置 PDF 文件密码**

- 要覆盖保存的文件，单击工具条上的  (保存)。

## 使用应用程序软件(ScanGear)扫描

---

- ▶ 什么是 ScanGear(扫描仪驱动程序)?
- ▶ 启动 ScanGear(扫描仪驱动程序)
- ▶ 在基本模式下扫描
- ▶ ScanGear(扫描仪驱动程序)屏幕
- ▶ 注意事项(扫描仪驱动程序)

### ▶▶▶ 重要事项

- 根据扫描仪或打印机，可用的功能和设置有所不同。

## 什么是 ScanGear(扫描仪驱动程序)?

ScanGear(扫描仪驱动程序)是用于扫描文档的软件。使用软件指定输出尺寸、图像修正和其他设置。

ScanGear 可以从 IJ Scan Utility 或兼容标准 TWAIN 接口的应用程序启动。(ScanGear 是一个兼容 TWAIN 的驱动程序。)

### 功能

扫描文档时，指定文档类型、输出尺寸和其他设置并预览扫描结果。进行多种修正设置或对亮度、对比度和其他参数进行细致调整，以使用特定色调进行扫描。

### 屏幕

有两种模式：基本模式和高级模式。

使用屏幕右上方的选项卡切换模式。

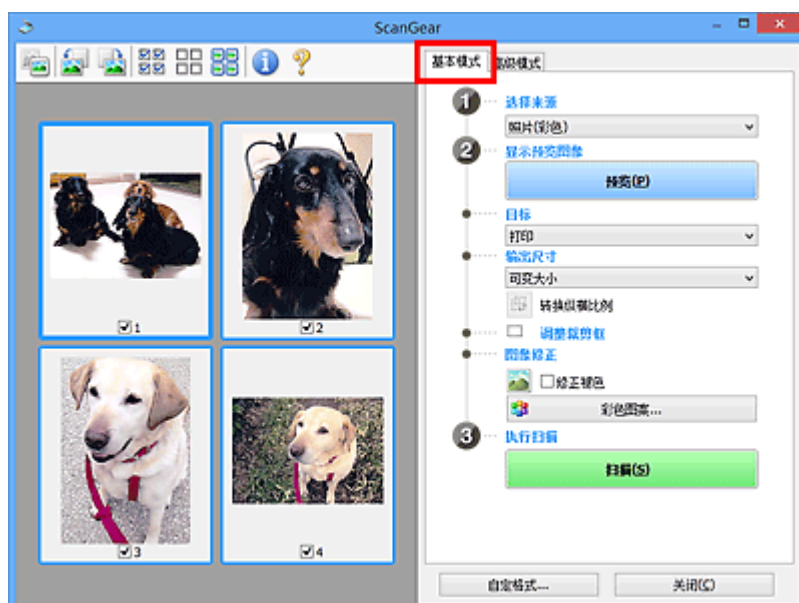
基本模式 高级模式

### 注释

- ScanGear 以最近使用的模式启动。
- 转换模式时，不会保持设置。

### 基本模式

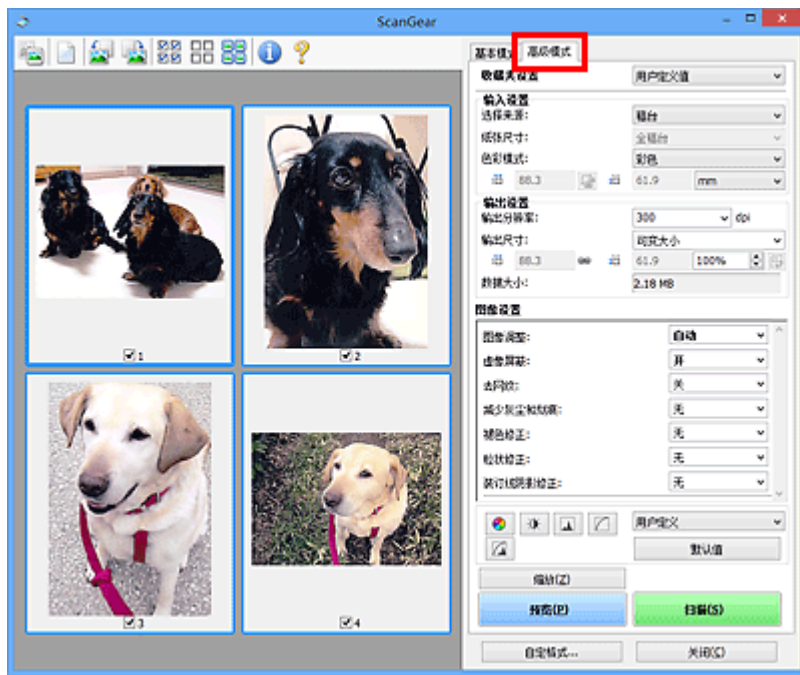
参照屏幕上显示的三个简单步骤(1、2和3)，可以使用**基本模式**选项卡轻松扫描。



### 高级模式

使用**高级模式**选项卡可以通过指定色彩模式、输出分辨率、图像亮度、色调以及其他设置进行扫描。





## 启动 ScanGear(扫描仪驱动程序)

使用 ScanGear(扫描仪驱动程序)以在扫描时进行图像修正和色彩调整。从 IJ Scan Utility 或其他应用程序启动 ScanGear。

### ►► 注释

- 如果拥有多台扫描仪或拥有兼容网络的型号并已将连接从 USB 连接更改为网络连接，请设置网络环境。

### 从 IJ Scan Utility 启动

1. 启动 IJ Scan Utility。

有关详细资料，请单击主页返回所用型号的在线手册页首，并搜索“启动 IJ Scan Utility”进行参考。

2. 在 IJ Scan Utility 主屏幕上单击 ScanGear。

出现 ScanGear 屏幕。

### 从应用程序启动

根据应用程序，要遵循的步骤会有所不同。有关详细资料，请参见应用程序手册。

1. 启动应用程序。

2. 在应用程序的菜单上，选择本机。

### ►► 注释

- 通过网络连接的机器，会在产品名称后显示“网络”。

3. 扫描文档。

出现 ScanGear 屏幕。


## 在基本模式下扫描

使用**基本模式**选项卡可以按照屏幕上的简单步骤轻松扫描。

要从稿台玻璃一次扫描多个文档，请参见使用 ScanGear(扫描仪驱动程序)一次扫描多个文档。

从 ADF(自动输稿器)扫描时，预览不可用。

### 重要事项

- 可能无法正确扫描以下类型的文档。在这种情况下，单击工具栏上的  (缩略图)以切换到完整图像视图并扫描。
  - 背景发白的照片
  - 打印在白纸上的文档、手写文本、名片和其他不清晰的文档
  - 薄的文档
  - 厚的文档
- 将无法正确扫描以下类型的文档。
  - 小于 3 厘米(1.2 英寸)见方的文档
  - 剪切成不规则形状的照片

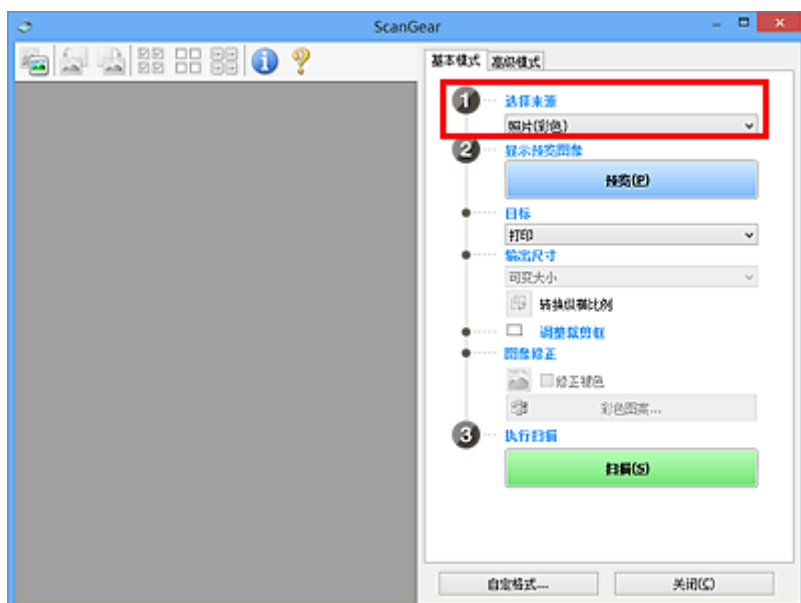
### 注释

- 在支持自动输稿器双面扫描的型号上，可以同时扫描双面文档的两面。

1. 将文档放置在本机的稿台玻璃或自动输稿器上，然后启动 ScanGear(扫描仪驱动程序)。

- 放置原稿(从计算机扫描)
- [启动 ScanGear\(扫描仪驱动程序\)](#)

2. 选择**选择来源**以匹配文档。



### 重要事项

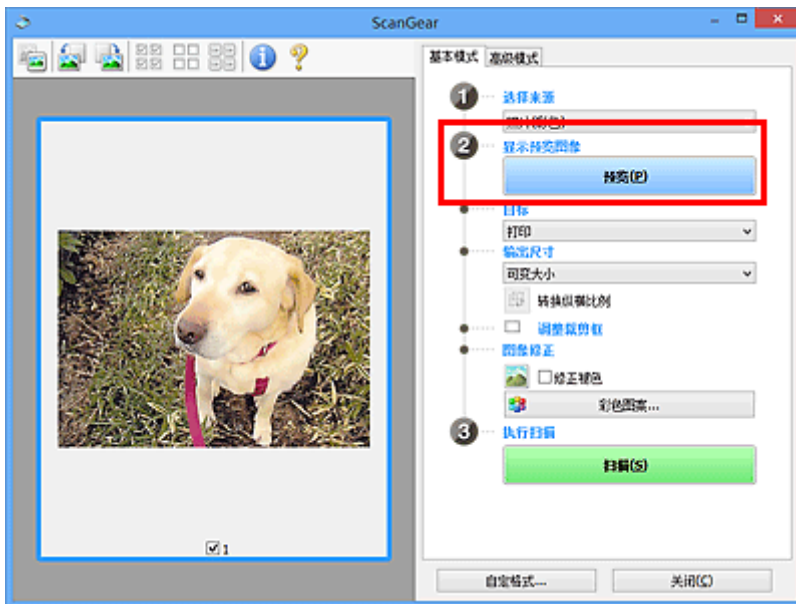
- 某些应用程序不支持从自动输稿器连续扫描。有关详细资料，请参见应用程序手册。

### 注释

- 要扫描包含多张彩色照片的杂志，请选择**杂志(彩色)**。

## 3. 单击预览。

预览图像出现在预览区域中。



### 重要事项

- 从自动输稿器扫描时，**预览**不可用。

### 注释

- 根据在**选择来源**中所选文档类型调整色彩。

## 4. 设置目标。

### 注释

- 如果在**选择来源**中已选择自动输稿器选项，则跳转至步骤 7。

## 5. 设置输出尺寸。

根据选择的目标不同，输出尺寸选项也不同。

## 6. 根据需要，调整裁剪框(扫描区域)。

调整预览图像上裁剪框的尺寸和位置。


### ■ 调整裁剪框(ScanGear)

7. 根据需要设置**图像修正**。

8. 单击**扫描**。

扫描开始。

### ▶▶▶ 注释

- 单击  (信息)可显示一个对话框，其中会显示文档类型和当前扫描设置的其他详细信息。
- 扫描后 ScanGear 如何响应可以在**自定义格式**对话框的**扫描**选项卡上的**扫描完后 ScanGear 对话框状态**中进行设置。

## 相关主题

- [基本模式选项卡](#)

## ScanGear(扫描仪驱动程序)屏幕

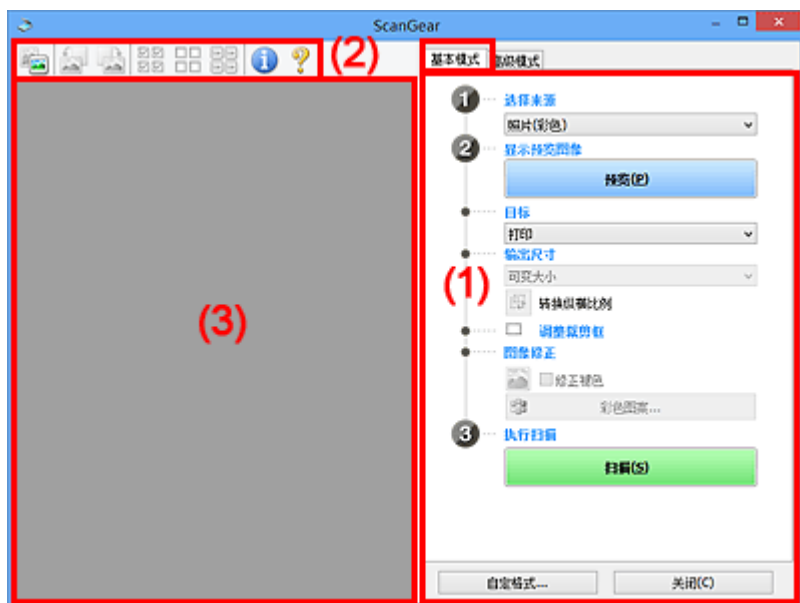
---

- ▶ 基本模式选项卡
- ▶ 高级模式选项卡

## 基本模式选项卡

使用**基本模式**选项卡可以按照屏幕上的简单步骤轻松扫描。

本节描述了在**基本模式**选项卡中可用的设置和功能。



- (1) 设置和操作按钮
- (2) 工具栏
- (3) 预览区域

### 注 释

- 根据文档类型和视图，显示的项目有所不同。
- 从 ADF(自动输稿器)扫描时，预览不可用。

## (1) 设置和操作按钮

### 选择来源

#### 照片(彩色)

扫描彩色照片。

#### 杂志(彩色)

扫描彩色杂志。

#### 文档(彩色)

以彩色扫描文档。

#### 文档(灰度)

以黑白色扫描文档。

#### 文档(彩色) 自动输稿器单面

以彩色从自动输稿器扫描文档。

#### 文档(灰度) 自动输稿器单面

以黑白从自动输稿器扫描文档。

### 文档(彩色) 自动输稿器双面(仅支持自动输稿器双面扫描型号)

以彩色从自动输稿器扫描文档的两面。

### 文档(灰度) 自动输稿器双面(仅支持自动输稿器双面扫描型号)

以黑白从自动输稿器扫描文档的两面。

## 重要事项

- 某些应用程序不支持从自动输稿器连续扫描。有关详细资料，请参见应用程序手册。

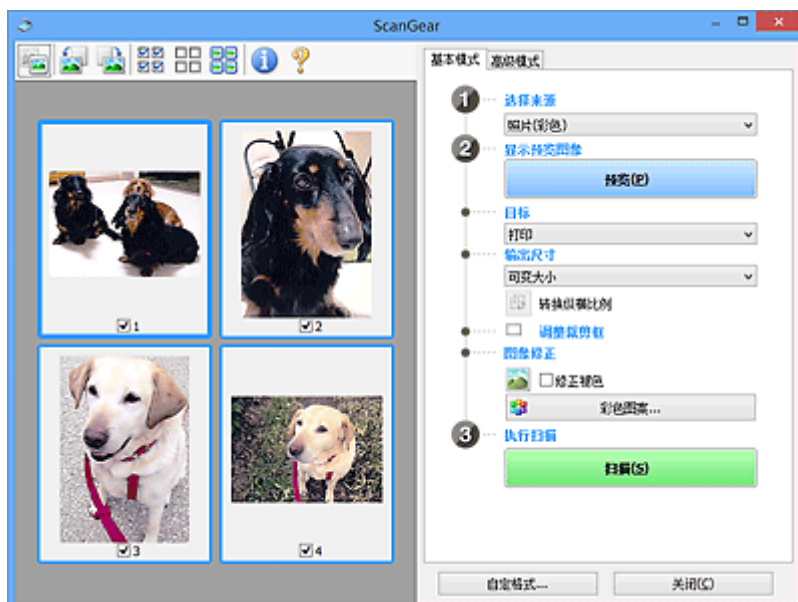
## 注释

- 当选择文档类型时，将激活虚像屏蔽功能。
- 选择自动输稿器类型以外的选项时，也会激活根据文档类型调整图像的图像调整功能。
- 选择杂志(彩色)时，将激活去网纹功能。

## 显示预览图像

### 预览

执行测试扫描。



## 注释

- 首次使用本机时，会自动启动扫描仪校准。等待直至预览图像出现。

## 目标

选择如何处理扫描的图像。

### 打印

选择该选项以通过打印机打印扫描的图像。

### 图像显示

选择该选项以通过监视器浏览扫描的图像。

### OCR

选择该选项以使用通过 OCR 软件扫描的图像。

“OCR 软件”是将扫描成图像的文本转换为文本数据的软件，文本数据可以在文字处理器和其他程序中编辑。



## 输出尺寸

选择一种输出尺寸。

根据目标中选择的项目，输出尺寸选项不同。

### 可变大小

自由调整裁剪框(扫描区域)。

#### 在缩略图视图中：

在缩略图上拖拽鼠标以显示裁剪框。显示裁剪框时，将扫描裁剪框中的部分。当未显示裁剪框时，将单独扫描每个画面。

#### 在完整图像视图中：

当未显示裁剪框时，将扫描整个预览区域。显示裁剪框时，将扫描裁剪框中的部分。

### 纸张尺寸(如 L 或 A4)

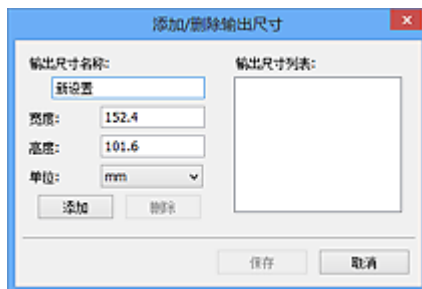
选择一种输出纸张尺寸。以所选纸张尺寸扫描裁剪框中的部分。在保持长宽比例的情况下拖动裁剪框以进行放大/缩小。

### 监视器尺寸(如 1024 x 768 像素)

以像素选择输出尺寸。将显示所选监视器尺寸的裁剪框，并扫描裁剪框中的部分。在保持长宽比例的情况下拖动裁剪框以进行放大/缩小。

### 添加/删除...

显示添加/删除输出尺寸对话框以指定用户定义输出尺寸。目标为打印或图像显示时，可以选择该选项。



在添加/删除输出尺寸对话框中，可以一次指定并保存多个输出尺寸。保存的项目与预设的项目将一起注册在输出尺寸列表中并且可选。

#### 添加：

输入输出尺寸名称、宽度和高度，然后单击添加。对于单位，如果目标为打印，请选择 in 或 mm；如果为图像显示，则只能选择像素。添加尺寸的名称显示在输出尺寸列表中。单击保存以保存输出尺寸列表中列出的项目。

#### 删除：

在输出尺寸列表中选择要删除的输出尺寸，然后单击删除。单击保存以保存输出尺寸列表中列出的项目。

## 重要事项

- 无法删除预设的输出尺寸，如 A4 和 1024 x 768 像素。

## 注释

- 最多保存 10 个项目。

- 当输入设置范围以外的数值时，会显示错误信息。请输入设置范围内的数值。

## 注释

- 有关在预览图像上最初是否显示或如何显示裁剪框的详细资料，请参见**自定格式**对话框的**预览选项卡**中的**预览图像上的裁剪框**。



### 转换纵横比例

输出尺寸设置为**可变大小**以外的其他选项时可用。

单击该按钮以旋转裁剪框。再次单击以返回至原始方向。

### 调整裁剪框

在预览区域内调整扫描区域。

如果未指定区域，将以文档尺寸(自动裁剪)扫描文档。如果指定了区域，则仅扫描所裁剪框内的部分。

- 调整裁剪框(ScanGear)

### 图像修正

修正要扫描的图像。

## 重要事项

- 在**自定格式**对话框中的**色彩设置**选项卡上选择了**推荐**时，应用**自动文档修复**和**修正褪色**可用。

## 注释

- 根据在**选择来源**中所选的文档类型，可用的功能可能有所不同。

### 应用自动文档修复

锐化文档或杂志中的文本方便阅读。

## 重要事项

- 当选中该复选框时，扫描时间要比平时长。
- 修正可能使源图像的色调有所变化。在这种情况下，不选中该复选框进行扫描。
- 如果扫描区域太小，可能无法正确应用修正。

### 修正褪色

修正因年代久远而褪色或有色偏的照片。

### 减少装订线阴影

修正扫描打开的书册时页面之间出现的阴影。

## 重要事项

- 有关使用该功能的注意事项和其他信息，请务必参见**装订线阴影修正**。

### 彩色图案...

调整图像的整体色彩。预览色彩变化时，对因色偏或其他原因褪色的色彩进行修正并再现自然色。

- 使用彩色图案调整色彩

## 重要事项

- 在**自定格式**对话框的**色彩设置**选项卡上选择了**色彩匹配**时，此设置不可用。

## 执行扫描

### 扫描

开始扫描。

### ▶▶▶ 注释

- 扫描开始后会显示进度。要取消扫描，请单击**取消**。

## 自定格式...

显示**自定格式**对话框以进行扫描/预览设置。

## 关闭

关闭 ScanGear(扫描仪驱动程序)。

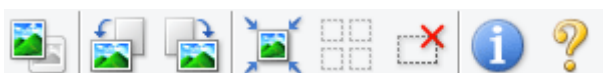
## (2) 工具栏

调整或旋转预览图像。工具栏上显示的按钮因视图而有所不同。

在缩略图视图中：



在完整图像视图中：



 (缩略图) /  (完整图像)

在预览区域切换视图。

### ■ (3) 预览区域



(向左旋转)

将预览图像逆时针旋转 90 度。

- 效果将在扫描的图像中体现。
- 再次预览时，图像会返回到原始状态。



(向右旋转)

将预览图像顺时针旋转 90 度。

- 效果将在扫描的图像中体现。
- 再次预览时，图像会返回到原始状态。



(自动裁剪)

显示并自动将裁剪框调整为预览区域中显示的文档尺寸。如果在裁剪框内留有裁剪区域，每次单击该按钮时，扫描区域都将缩小。



(选中所有画面)

显示两个或更多个边框时可用。

在缩略图视图中选中图像的复选框。



#### (取消选中所有画面)

显示两个或更多个边框时可用。

在缩略图视图中取消选择图像的复选框。



#### (选择所有画面)

显示两个或更多个边框时可用。

选择缩略图视图中的图像，所选图像将带有蓝色外框。



#### (选择所有裁剪框)

指定两个或更多个裁剪框时可用。

使裁剪框变为粗虚线并将该设置应用至所有裁剪框。



#### (删除裁剪框)

删除所选的裁剪框。



#### (信息)

显示 ScanGear 的版本、文档类型和其他当前扫描设置的其他详细信息。



#### (打开指南)

打开该页面。

## (3) 预览区域

单击**预览**后，预览区域为出现的测试图像。在[\(1\) 设置和操作按钮](#)中进行的图像修正、色彩调整和其他设置的结果也会予以反映。





#### (缩略图)显示在工具栏上时：

根据文档尺寸指定裁剪框，并且显示扫描图像的缩略图。仅扫描选中复选框的图像。



### ►► 注释

- 当预览多幅图像时，不同的外框表示不同的选择状态。

- 聚焦框(粗的蓝色外框): 将应用显示的设置。
  - 选择框(细的蓝色外框): 将设置同时应用于聚焦框和选择框。 要选择多个图像, 请在按下 Ctrl 键的同时单击图像。
  - 未选择(无外框): 此类裁剪框将不应用设置。
- 双击画面以放大图像。 单击屏幕底部的 (帧快进)以显示上一幅或下一幅图像。 再次双击放大的画面可以将其还原至原始状态。



**(完整图像)显示在工具栏上时:**

扫描稿台玻璃上的项目并将其显示为单个图像。 将扫描裁剪框中的所有部分。



## ►► 注释

- 在显示的图像上创建裁剪框。 在缩略图视图中, 可以为每幅图像创建一个裁剪框。 在完整图像视图中, 可以创建多个裁剪框。
  - 调整裁剪框(ScanGear)

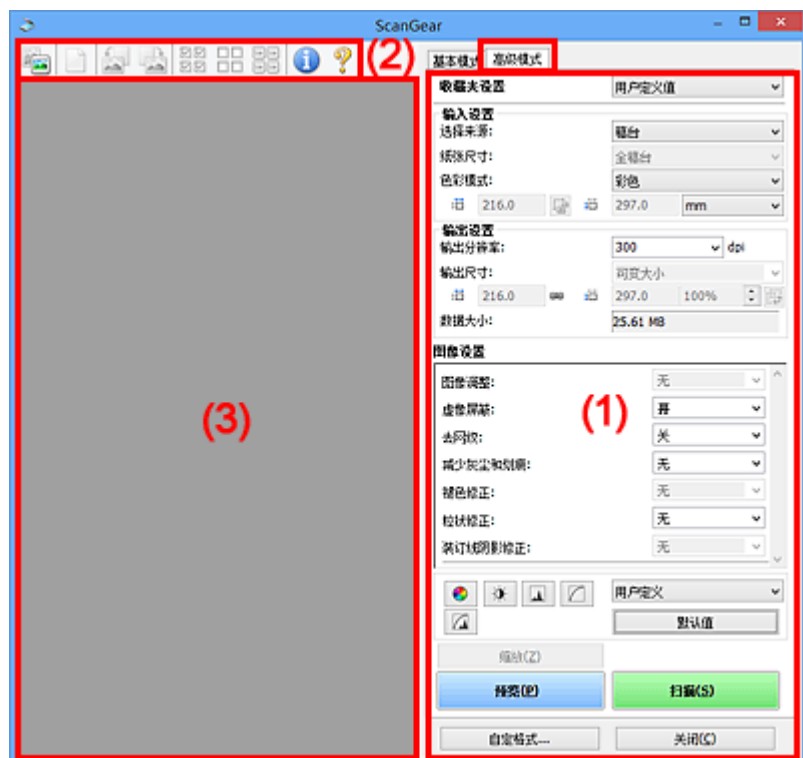
## 相关主题

- [在基本模式下扫描](#)

## 高级模式选项卡

该模式可以进行高级扫描设置，如色彩模式、输出分辨率、图像亮度和色调。

本节描述了在高级模式选项卡中可用的设置和功能。



- (1) 设置和操作按钮
- (2) 工具栏
- (3) 预览区域

### 重要事项

- 根据型号、文档类型和视图，显示的项目有所不同。
- 从 ADF(自动输稿器)扫描时，预览功能不可用。

## (1) 设置和操作按钮

### 收藏夹设置

可以在高级模式选项卡上命名并保存一组设置(输入设置、输出设置、图像设置和色彩调整按钮)，并且可以根据需要重新调用这些设置。如果您将重复使用，那么将便于保存一组设置。您也可以使用该设置以重新调用默认设置。

从下拉菜单中选择添加/删除...以打开添加/删除收藏夹设置对话框。



输入**设置名称**并单击**添加**；该名称显示在**收藏夹设置列表**中。

单击**保存**时，项目与预设项目一起显示在**收藏夹设置列表**中并且可选。

要删除项目，请在**收藏夹设置列表**中选择并单击**删除**。单击**保存**以保存显示在**收藏夹设置列表**中的设置。

### ►►► 注释

- 预览后，可以设置**收藏夹设置**中的**添加/删除...**。
- 最多保存 10 个项目。

### 输入设置

指定输入设置，如文档类型和尺寸。

### 输出设置

指定输出设置，如输出分辨率和尺寸。

### 图像设置

启用/禁用多种图像修正功能。


### 色彩调整按钮

可以对图像的亮度和色调进行细致修正，包括调整图像的整体亮度或对比度，调整其高光和阴影值(直方图)或平衡(色调曲线)。

### 缩放

放大边框或放大使用裁剪框指定的区域(扫描区域)中的图像。放大后，**缩放**将变为**撤销**。单击**撤销**可以将放大显示的图像返回到放大前的状态。

#### 在缩略图视图中：

当在缩略图视图中显示多个图像时，单击该按钮将放大选择框。单击屏幕底部的 (帧快进)以显示上一幅或下一幅图像。


### ►►► 注释

- 您也可以通过双击画面放大图像。再次双击放大的画面可以将其还原至原始状态。

#### 在完整图像视图中：

以更大缩放比例重新扫描使用裁剪框指定的区域中的图像。

### ►►► 注释

- **缩放**重新扫描文档，并在预览中显示高分辨率图像。
- 工具栏上的 (放大/缩小)会快速放大预览图像。然而，所显示图像的分辨率将会很低。

## 预览

执行测试扫描。



## 扫描

开始扫描。

### 注 释

- 扫描开始后显示进度。要取消扫描，请单击**取消**。
- 完成扫描时，可能会出现提示您选择下一操作的对话框。根据提示完成操作。有关详细资料，请参阅**扫描选项卡(自定义格式对话框)**中的**扫描完后 ScanGear 对话框状态**。
- 如果要扫描图像的总尺寸超过某一特定尺寸时，则处理该图像将会花费一定时间。在这种情况下，会出现警告信息；建议缩小总尺寸。请在完整图像视图中扫描以继续。

## 自定义格式...

显示**自定义格式**对话框以进行扫描/预览设置。

## 关闭

关闭 ScanGear(扫描仪驱动程序)。

## (2) 工具栏

调整或旋转预览图像。工具栏上显示的按钮因视图而有所不同。

在缩略图视图中：





在完整图像视图中：



 (缩略图) /  (完整图像)

在预览区域切换视图。

### ■ (3) 预览区域



(清除)

删除预览区域中的预览图像。

也可以重置工具栏和色彩调整设置。



(裁剪)

可以通过拖动鼠标指定扫描区域。



(移动图像)

预览区域中放大的图像超出屏幕时可以拖动图像直至显示要查看的部分。您也可以使用滚轴栏来移动图像。



(放大/缩小)

可以通过单击图像放大预览区域。右键单击图像以将其缩小。



(向左旋转)

将预览图像逆时针旋转 90 度。

- 效果将在扫描的图像中体现。
- 再次预览时，图像会返回到原始状态。



(向右旋转)

将预览图像顺时针旋转 90 度。

- 效果将在扫描的图像中体现。
- 再次预览时，图像会返回到原始状态。



(自动裁剪)

显示并自动将裁剪框调整为预览区域中显示的文档尺寸。如果在裁剪框内留有裁剪区域，每次单击该按钮时，扫描区域都将缩小。



(选中所有画面)

显示两个或更多个边框时可用。

在缩略图视图中选中图像的复选框。



(取消选中所有画面)

显示两个或更多个边框时可用。

在缩略图视图中取消选择图像的复选框。



#### (选择所有画面)

显示两个或更多个边框时可用。

选择缩略图视图中的图像，所选图像将带有蓝色外框。



#### (选择所有裁剪框)

指定两个或更多个裁剪框时可用。

使裁剪框变为粗虚线并将该设置应用至所有裁剪框。



#### (删除裁剪框)

删除所选的裁剪框。



#### (信息)

显示 ScanGear 的版本、文档类型和其他当前扫描设置的其他详细信息。



#### (打开指南)

打开该页面。

### (3) 预览区域

单击**预览**后，预览区域为出现的测试图像。在[\(1\) 设置和操作按钮](#)中进行的图像修正、色彩调整和其他设置的结果也会予以反映。



#### (缩略图)显示在工具栏上时：

根据文档尺寸指定裁剪框，并且显示扫描图像的缩略图。仅扫描选中复选框的图像。



#### »» 注释

- 当预览多幅图像时，不同的外框表示不同的选择状态。
  - 聚焦框(粗的蓝色外框)：将应用显示的设置。
  - 选择框(细的蓝色外框)：将设置同时应用于聚焦框和选择框。要选择多个图像，请在按下 Ctrl 键的同时单击图像。

- 未选择(无外框): 此类裁剪框将不应用设置。



**(完整图像)显示在工具栏上时:**

扫描稿台玻璃上的项目并将其显示为单个图像。将扫描裁剪框中的所有部分。



## 》》 注释

- 在显示的图像上创建裁剪框。在缩略图视图中，可以为每幅图像创建一个裁剪框。在完整图像视图中，可以创建多个裁剪框。

■ 调整裁剪框(ScanGear)

## 相关主题

- 在高级模式下扫描
- 在高级模式下从 ADF(自动输稿器)扫描多个文档

## 注意事项(扫描仪驱动程序)

ScanGear(扫描仪驱动程序)存在以下限制。使用时, 请注意以下要点。

### 扫描仪驱动程序的限制

- 在使用 NTFS 文件系统时, 可能无法调用 TWAIN 数据来源。这是因为, 为安全起见, TWAIN 模块不能被写入 winnt 文件夹。如需帮助, 请联系计算机管理员。
- 连接到本机上的某些计算机(包括便携式计算机)可能无法从待机模式正确地恢复。在这种情况下, 请重新启动计算机。
- 请勿将两台或更多台扫描仪, 或具有扫描仪功能的多功能打印机同时连接到同一台计算机上。如果连接了多个扫描设备, 您将无法从本机的操作面板或扫描仪按钮进行扫描并且可能会在访问设备时出现错误。
- 如果通过 USB1.1 连接本机, 校准可能会花费一定时间。
- 如果计算机从睡眠或待机模式中恢复, 扫描可能失败。在这种情况下, 按照以下步骤并重新扫描。

如果所用型号无电源按钮, 则只执行步骤 2。

1. 关闭本机。
2. 退出 ScanGear, 然后从计算机上断开 USB 电缆线, 并重新连接。
3. 开启本机。

如果仍然无法扫描, 请重新启动计算机。

- 不能在多个应用程序中同时打开 ScanGear。在一个应用程序中, 如果已经打开 ScanGear, 则无法再次打开。
- 关闭应用程序前, 请务必关闭 ScanGear 窗口。
- 通过连接至网络使用兼容网络的型号时, 无法同时从多台计算机访问本机。
- 通过连接至网络使用兼容网络的型号时, 扫描时间要比平时长。
- 当以高分辨率扫描大型图像时, 请确保有足够的可用磁盘空间。例如, 至少需要 300MB 可用空间才能以全彩 600dpi 扫描 A4 文档。
- 无法同时使用 ScanGear 和 WIA 驱动程序。
- 请勿在扫描过程中将计算机设置为待机或睡眠状态。

### 存在使用限制的应用程序

- 一些应用程序可能无法显示 TWAIN 用户界面。在这种情况下, 请查阅应用程序手册并相应地更改设置。
- 某些应用程序不支持连续扫描多个文档。有些情况下, 只接受扫描的第一幅图像, 或者将多幅图像扫描为一幅图像。对于此类应用程序, 请勿从 ADF(自动输稿器)扫描多个文档。
- 要将扫描的图像导入 Microsoft Office 2000, 首先使用 IJ Scan Utility 保存, 然后从**插入**菜单中导入保存的文件。
- 将稿台尺寸图像扫描至 Microsoft Office 2003(如 Word、Excel、PowerPoint 等)时, 请在**插入来自扫描仪或照相机的图片**屏幕中单击**自定义插入**。否则, 可能无法正确扫描图像。
- 将图像扫描至 Microsoft Office 2007/Microsoft Office 2010(如 Word、Excel、PowerPoint 等)时, 请使用 Microsoft 剪辑管理器。
- 在某些应用程序中, 可能无法正确扫描图像。在这种情况下, 请增加操作系统的虚拟内存并重试。
- 根据应用程序, 当图像太大时(如以高分辨率扫描大型图像时), 计算机可能会没有回应或者进度栏仍为 0%。在这种情况下, 请取消操作(例如单击进度栏上的**取消**), 然后增加操作系统的虚拟内存或缩小图

像尺寸/分辨率，然后重试。或者，首先通过 IJ Scan Utility 扫描图像，然后保存并将其导入应用程序中。

## 扫描提示

---

- ▶ 放置原稿(从计算机扫描)
- ▶ 网络扫描设置
  - IJ Network Scanner Selector EX2 菜单和设置屏幕

## 放置原稿(从计算机扫描)

本节描述如何在稿台玻璃或 ADF(自动输稿器)上放置用于扫描的原稿。如果没有正确放置项目，可能不会正确扫描。

### 重要事项

- 将原稿放置在稿台玻璃上时，务必注意以下事项。否则可能造成扫描仪故障或稿台玻璃破裂。
  - 请勿将任何重量达到或超过 2.0 千克(4.4 磅)的物体放置在稿台玻璃上。
  - 请勿使稿台玻璃承受的压力达到或超过 2.0 千克(4.4 磅)，如按压原稿。
- 扫描时关闭文档盖板。
- 打开/关闭文档盖板时，请勿触摸操作面板按钮或 LCD(液晶显示器)。可能导致意外操作。

#### ■ 放置项目(稿台玻璃)


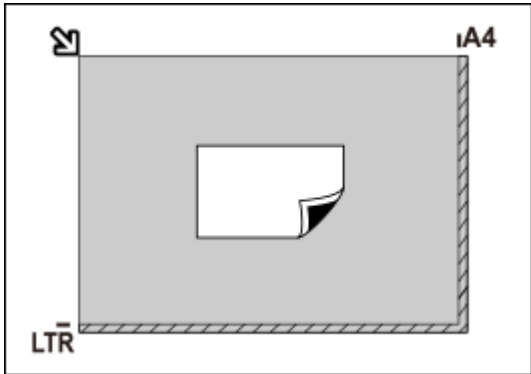

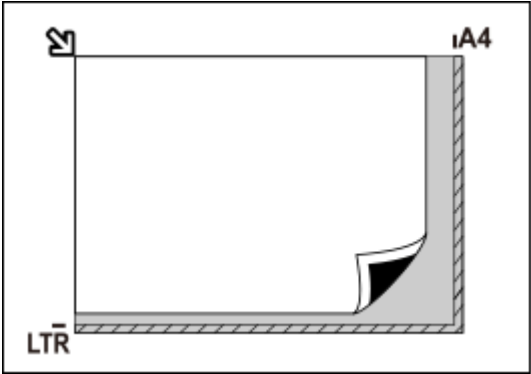
#### ■ 放置文档[ADF(自动输稿器)]

## 放置项目(稿台玻璃)

根据以下说明放置项目以通过自动检测项目类型和尺寸进行扫描。

### 重要事项

- 当在 IJ Scan Utility 或 ScanGear(扫描仪驱动程序)中指定纸张尺寸进行扫描时，将项目的一个顶角与稿台玻璃箭头(对齐标记)指向的角对齐。
- 扫描时剪切成不规则形状的照片和小于 3 厘米(1.2 英寸)的正方形项目无法被正确裁剪。
- 可能无法按预期扫描反光的光盘标签。

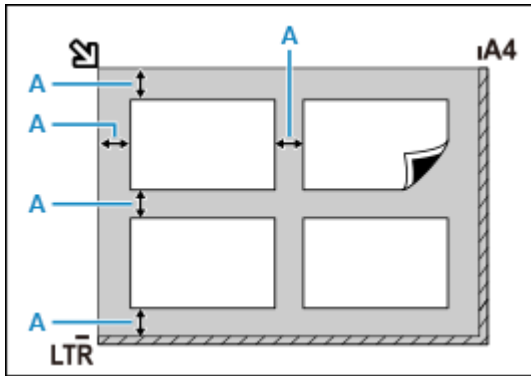
照片、明信片、名片和 BD/DVD/CD	杂志、报纸和文档
 <p><b>单个项目：</b> 将项目正面向下放置在稿台玻璃上，在稿台玻璃边缘(斜纹区)与项目之间留有 1 厘米(0.4 英寸)或更多空间。无法扫描放置在斜纹区的部分。</p> 	 <p>请将项目正面向下放置在稿台玻璃上并将项目的一个顶角与稿台玻璃箭头(对齐标记)指向的角对齐。无法扫描放置在斜纹区的部分。</p>  <p><b>重要事项</b></p> <ul style="list-style-type: none"><li>• 有关项目无法扫描的部分，请参见<a href="#">放置原稿</a>。</li></ul>

### 重要事项

- 无法放置在远离稿台玻璃边缘/箭头(对齐标记)的大型项目(如 A4 尺寸照片)可能被保存为 PDF 文件。要以除 PDF 之外的格式保存, 请按照指定的数据格式扫描。

#### 多个项目:

允许稿台玻璃边缘(斜纹区)与项目以及项目与项目之间留有 1 厘米(0.4 英寸)或更大的空间。无法扫描放置在斜纹区的部分。



A : 1 厘米(0.4 英寸)或以上

### 注释

- 最多放置 12 个项目。
- 将自动修正倾斜项目(等于或小于 10 度)的位置。

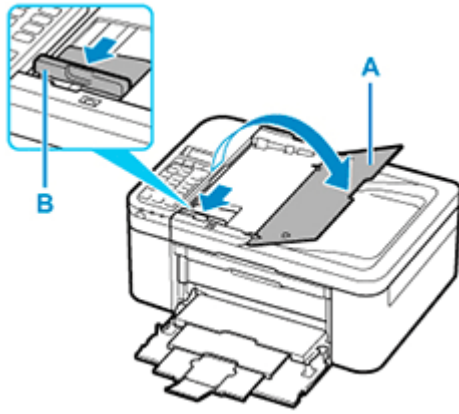
## 放置文档[ADF(自动输稿器)]

### 重要事项

- 从自动输稿器扫描时请勿让厚的项目留在稿台玻璃上。可能导致卡纸。
- 扫描两个或多个文档时, 放置并对齐相同尺寸的文档。
- 有关从自动输稿器扫描时支持的文档尺寸, 请参见[支持的原稿](#)。

1. 确保已从稿台玻璃上取出所有原稿。
2. 打开文档托盘(A)。
3. 将纸张导片(B)移至最外侧。



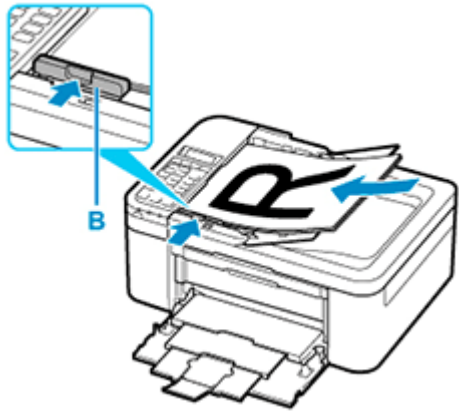


4. 在文档托盘上装入文档，将要扫描的一面向上。

将文档插入到位。

5. 调整文档导片(B)，使其适合文档的宽度。

请勿过于用力移动文档导片以紧靠文档。文档可能无法正确送入。



## 网络扫描设置

可以将扫描仪或打印机连接到网络上以在多台计算机中共享它或将图像扫描至指定的计算机中。

### 重要事项

- 多个用户无法同时扫描。

### 注释

- 预先从安装光盘或按照我们网站上的说明完成所用扫描仪或打印机的网络设置。
- 通过网络连接时，扫描时间要比 USB 连接的扫描时间长。

完成下面的设置以能够在网络上进行扫描。

## 指定扫描仪或打印机

使用 IJ Network Scanner Selector EX 来指定想要使用的扫描仪。通过指定扫描仪，可以从计算机或操作面板通过网络进行扫描。

### 重要事项



- 如果通过 IJ Network Scanner Selector EX 更改要使用的产品，使用 IJ Scan Utility 进行扫描的产品也将更改。从操作面板进行扫描的产品也将更改。

如果在 IJ Scan Utility 中未选择所用的扫描仪或打印机，请确认是否已使用 IJ Network Scanner Selector EX 进行了选择。

有关详细资料，请从在线手册的主页参阅所用型号的“IJ Network Scanner Selector EX2 菜单和设置屏幕”。

- 要从操作面板进行扫描，请预先通过 IJ Network Scanner Selector EX 指定扫描仪或打印机。

### 1. 确认 IJ Network Scanner Selector EX 是否正在运行。

如果 IJ Network Scanner Selector EX 正在运行， (IJ Network Scanner Selector EX2) 显示在桌面的通知区域。单击  也可检查隐藏的图标。

### 注释

- 如果图标未显示在桌面的通知区域，请按照以下步骤启动。

- **Windows 10:**

从开始菜单单击(所有应用 >)Canon Utilities > IJ Network Scanner Selector EX2。

- **Windows 8.1:**


在开始屏幕单击 IJ Network Scanner Selector EX2。

如果开始屏幕上未显示 IJ Network Scanner Selector EX2，请选择搜索超级按钮，然后搜索“IJ Network Scanner Selector EX2”。

- **Windows 7:**

从开始菜单，单击所有程序 > Canon Utilities > IJ Network Scanner Selector EX2 > IJ Network Scanner Selector EX2。

图标出现在桌面通知区域中，并且显示从 PC 扫描设置屏幕。在这种情况下，跳转至步骤 3。

2. 在桌面的通知区域，右键单击  (IJ Network Scanner Selector EX2)，然后选择**设置...**。  
显示从 PC 扫描设置屏幕。
3. 从**扫描仪**中选择所用的扫描仪或打印机。

通常，完成网络设置后就已选择所用扫描仪或打印机的 MAC 地址。在这种情况下，您不需要重新选择。

#### 重要事项

- 如果在网络中存在多个扫描仪，将出现多个型号名称。在这种情况下，您可以为每个型号选择一个扫描仪。

4. 单击**确定**。


#### 注释

- 在从 PC 扫描设置屏幕选择的扫描仪也将在从操作面板扫描设置屏幕中被自动选择。

## 使用 IJ Scan Utility 扫描的设置

要从 IJ Scan Utility 使用连接到网络的扫描仪或打印机进行扫描，通过 IJ Network Scanner Selector EX 指定扫描仪或打印机，然后按照以下步骤更改其与计算机之间的连接状态。

1. 启动 IJ Scan Utility。
2. 在**产品名称**中选择“Canon XXX series Network” (“XXX”表示型号名称)。
3. 单击**设置...**以使用其他连接到网络的扫描仪。

4. 单击  (基本设置)，然后单击**产品名称**中的**选择**。

出现 IJ Network Scanner Selector EX 的从 PC 扫描设置屏幕。

选择要使用的扫描仪并单击**确定**。

5. 在**设置(基本设置)**对话框中，单击**确定**。

再次出现 IJ Scan Utility 主屏幕。可以通过网络连接进行扫描。


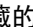
## 从操作面板进行扫描设置

可以从操作面板进行扫描设置。

#### 重要事项

- 预先设置 IJ Scan Utility 以通过网络连接使用扫描仪或打印机。

1. 确认 IJ Network Scanner Selector EX 是否正在运行。

如果 IJ Network Scanner Selector EX 正在运行， (IJ Network Scanner Selector EX2) 显示在桌面的通知区域。点击也可检查隐藏的图标。

▶▶▶ 注释

- 如果图标未显示在桌面的通知区域，请按照以下步骤启动。

- **Windows 10:**

从开始菜单单击(所有应用 >)Canon Utilities > IJ Network Scanner Selector EX2。

- **Windows 8.1:**


在开始屏幕单击 IJ Network Scanner Selector EX2。

如果开始屏幕上未显示 IJ Network Scanner Selector EX2，请选择搜索超级按钮，然后搜索“IJ Network Scanner Selector EX2”。

- **Windows 7:**

从开始菜单，单击所有程序 > Canon Utilities > IJ Network Scanner Selector EX2 > IJ Network Scanner Selector EX2。

图标出现在桌面通知区域中，并且显示从 PC 扫描设置屏幕。在这种情况下，跳转至步骤 3。

2. 在桌面的通知区域，右键单击 (IJ Network Scanner Selector EX2)，然后选择设置...。显示从 PC 扫描设置屏幕。

3. 单击从操作面板扫描设置。

显示从操作面板扫描设置屏幕。

4. 从扫描仪中选择所用的扫描仪或打印机，并单击确定。

选择扫描仪或打印机的 MAC 地址。

▶▶▶ 注释

- 当通过网络连接多个扫描仪时，您最多可以选择三个扫描仪。

5. 在从 PC 扫描设置屏幕中单击确定。

▶▶▶ 注释

- 如果所用的扫描仪或打印机未显示，请检查以下内容，单击确定以关闭屏幕，然后重新打开屏幕并尝试重新选择。

- 已安装 MP Drivers
- 安装 MP Drivers 后已完成扫描仪或打印机的网络设置
- 已启用扫描仪或打印机和计算机间的网络通讯

如果问题仍未解决，请参见[网络通讯问题](#)。

## 使用智能手机/平板电脑扫描

---

- ▶ 使用 PIXMA/MAXIFY Cloud Link
- ▶ 通过无线直连进行打印/扫描

## 常见问题



网络

- [无法在网络上找到打印机](#)
- [使用 Wi-Fi 时无法找到打印机](#)
- [网络密钥\(密码\)未知](#)
- [无法打印或连接](#)

有关网络的其他问题，请[单击此处](#)。



打印

- [打印机不打印](#)
- [打印输出空白/模糊不清/颜色不准确或渗出/出现条纹或线条](#)
- [打印输出的结果不理想](#)
- [与错误对应的支持代码列表\(卡纸\)](#)
- [无法打印或连接](#)



安装

- [安装 MP Drivers 失败\(Windows\)](#)



错误

- [发生错误](#)
- [出现信息\(支持代码\)](#)

## 解决问题

### 打印机不工作

- [打印机未开启](#)
- [打印机意外关闭或反复关闭](#)
- [触摸屏上出现错误的语言](#)
- [触摸屏上的显示关闭](#)
- [USB 连接问题](#)
- [无法通过 USB 与打印机通讯](#)
- [打印机不打印](#)
- [复印/打印中止](#)
- [无法使用 AirPrint 打印](#)
- [打印机打印慢](#)
- [墨水没有喷出](#)
- [与错误对应的支持代码列表\(卡纸\)](#)
- [纸张没有正确送入/“无纸”错误](#)
- [无法在光盘标签上打印](#)
- [自动双面打印的问题](#)
- [打印输出的结果不理想](#)

- [扫描问题\(Windows\)](#)
- [扫描问题\(macOS\)](#)
- [扫描结果不理想\(Windows\)](#)
- [扫描结果不理想\(macOS\)](#)
- [无法从智能手机/平板电脑进行打印/扫描](#)

#### 无法正确设置(网络)

- [设置时无法在检查打印机设置屏幕上找到打印机\(Windows\)](#)
- [使用 Wi-Fi 时无法找到打印机](#)
- [使用有线 LAN 时无法找到打印机](#)
- [打印机因某种原因突然停止工作](#)
- [网络密钥\(密码\)未知](#)
- [忘记打印机的管理员密码](#)
- [更换无线路由器或更改路由器设置后无法使用打印机](#)
- [设置过程中计算机上出现信息](#)
- [检查网络信息](#)
- [恢复至出厂默认值](#)

#### 无法正确设置(安装)

- [安装 MP Drivers 失败\(Windows\)](#)
- [Easy-WebPrint EX 未启动或未显示 Easy-WebPrint EX 菜单\(Windows\)](#)
- [在网络环境中更新 MP Drivers\(Windows\)](#)

#### 出现错误或信息

- [发生错误](#)
- [出现信息\(支持代码\)](#)
- [兼容 PictBridge\(Wi-Fi\)的设备出现错误信息](#)
- [与错误对应的支持代码列表](#)
- [IJ Scan Utility 错误信息\(Windows\)](#)
- [IJ Scan Utility Lite 错误信息\(macOS\)](#)
- [ScanGear\(扫描仪驱动程序\)错误信息\(Windows\)](#)

## 操作的问题

- [网络通讯问题](#)
- [打印问题](#)
- [从智能手机/平板电脑进行打印/扫描的问题](#)
- [扫描问题\(Windows\)](#)
- [扫描问题\(macOS\)](#)
- [机械问题](#)
- [安装和下载问题](#)
- [错误和信息](#)
- [如果无法解决问题](#)



## 网络设置和常见问题

以下是有关网络的常见问题。选择正在使用或要使用的连接方法。



### 无线 LAN

#### 无法找到打印机

- [使用 Wi-Fi 时无法找到打印机](#)
- [设置时无法在检查打印机设置屏幕上找到打印机\(Windows\)](#)
- [在打印机连接屏幕以后无法继续操作](#)
- 设置的打印机查找屏幕中未找到打印机
- 在设置过程中按 IP 地址或主机名称搜索打印机
- 设置 Wi-Fi 时出现错误
- [检测到相同打印机名称](#)
- [LAN 连接的重新配置方法/Wi-Fi 连接的重新配置方法](#)

#### 无法打印或连接

- [打印机因某种原因突然停止工作](#)
- [更换无线路由器或更改路由器设置后无法使用打印机](#)
- 无法通过 Wi-Fi 从通讯设备访问互联网
- 使用简易无线连接连接打印机和无线路由器
- 无法将智能手机/平板电脑连接到无线路由器
- 设置 Wi-Fi 时出现错误
- [通过 LAN 连接到其他计算机/从 USB 更改为 LAN 连接](#)
- 无法打印或连接

#### LAN 设置提示/更改 LAN 设置

- [网络密钥\(密码\)未知](#)
- 忘记打印机的管理员密码
- [检查网络信息](#)
- [恢复至出厂默认值](#)
- 检查无线路由器 SSID/密钥
- 检查用于智能手机/平板电脑的无线路由器网络名称(SSID)
- 私密隔离功能/SSID 隔离功能/网络隔离功能
- [默认网络设置](#)
- [通过 LAN 连接到其他计算机/从 USB 更改为 LAN 连接](#)
- [打印网络设置](#)
- [LAN 连接的重新配置方法/Wi-Fi 连接的重新配置方法](#)
- 检查状态代码

## 从智能手机/平板电脑打印/扫描

- 使用简易无线连接连接打印机和无线路由器
- 无法将智能手机/平板电脑连接到无线路由器
- 检查用于智能手机/平板电脑的无线路由器网络名称(SSID)
- 使用智能手机/平板电脑进行设置
- [无法从智能手机/平板电脑进行打印/扫描](#)
- 使用 Bluetooth 时无法从智能手机/平板电脑找到打印机
- 下载 Canon PRINT Inkjet/SELPHY

## 使用打印机时出现的的问题

- 设置过程中计算机上出现信息
- 打印机打印慢
- 打印机状态监视器上未显示墨水量(Windows)
- 不断发送数据包(Windows)

## 无线直连

---

### 无法打印或连接

- [打印机因某种原因突然停止工作](#)
- 无法通过 Wi-Fi 从通讯设备访问互联网
- 无法打印或连接

### LAN 设置提示/更改 LAN 设置

- [网络密钥\(密码\)未知](#)
- 忘记打印机的管理员密码
- [检查网络信息](#)
- [恢复至出厂默认值](#)
- [默认网络设置](#)
- [打印网络设置](#)
- [LAN 连接的重新配置方法/Wi-Fi 连接的重新配置方法](#)
- 检查状态代码

## 从智能手机/平板电脑打印/扫描

- [无法从智能手机/平板电脑进行打印/扫描](#)
- 使用 Bluetooth 时无法从智能手机/平板电脑找到打印机
- 下载 Canon PRINT Inkjet/SELPHY

## 使用打印机时出现的的问题

- 设置过程中计算机上出现信息
- 打印机打印慢
- 打印机状态监视器上未显示墨水量(Windows)

## 有线 LAN

---

### 无法找到打印机

- 设置的打印机查找屏幕中未找到打印机
- 在设置过程中按 IP 地址或主机名称搜索打印机

- 使用有线 LAN 时无法找到打印机
- [检测到相同打印机名称](#)

#### 无法打印或连接

- [打印机因某种原因突然停止工作](#)
- 无法打印或连接

#### LAN 设置提示/更改 LAN 设置

- 忘记打印机的管理员密码
- [检查网络信息](#)
- [恢复至出厂默认值](#)
- [默认网络设置](#)
- [通过 LAN 连接到其他计算机/从 USB 更改为 LAN 连接](#)
- [打印网络设置](#)
- [LAN 连接的重新配置方法/Wi-Fi 连接的重新配置方法](#)
- [检查状态代码](#)

#### 使用打印机时出现的的问题

- 设置过程中计算机上出现信息
- 打印机打印慢
- 打印机状态监视器上未显示墨水量(Windows)
- 不断发送数据包(Windows)

## 网络通讯问题

---

- ▶ 无法在网络上找到打印机
- ▶ 网络连接问题
- ▶ 其他网络问题

## 无法在网络上找到打印机

---

### 执行打印机设置时：

- ▶ 设置时无法在检查打印机设置屏幕上找到打印机(Windows)
- ▶ 在打印机连接屏幕以后无法继续操作

### 使用打印机时：

- ▶ 使用 Wi-Fi 时无法找到打印机

### 注釋

- 您无法同时使用无线 LAN 和有线 LAN。

## 设置时无法在检查打印机设置屏幕上找到打印机(Windows)

如果找不到打印机，并且在[搜索打印机](#)屏幕上通过[自动搜索](#)来搜索打印机后出现[检查打印机设置](#)屏幕，请单击[重新检测](#)，然后在[搜索打印机](#)屏幕上按 IP 地址重新搜索打印机。

如果在按 IP 地址搜索后仍未找到打印机，请检查网络设置。



### • 使用 Wi-Fi 时：

- [进行 Wi-Fi 设置时无法在检查打印机设置屏幕上找到打印机\(Windows\)-检查电源状态](#)
- [进行 Wi-Fi 设置时无法在检查打印机设置屏幕上找到打印机\(Windows\)-检查计算机网络连接](#)
- [进行 Wi-Fi 设置时无法在检查打印机设置屏幕上找到打印机\(Windows\)-检查打印机的 Wi-Fi 设置](#)
- [进行 Wi-Fi 设置时无法在检查打印机设置屏幕上找到打印机\(Windows\)-检查 Wi-Fi 环境](#)
- [进行 Wi-Fi 设置时无法在检查打印机设置屏幕上找到打印机\(Windows\)-检查打印机的 IP 地址](#)
- [进行 Wi-Fi 设置时无法在检查打印机设置屏幕上找到打印机\(Windows\)-检查安全软件设置](#)
- [进行 Wi-Fi 设置时无法在检查打印机设置屏幕上找到打印机\(Windows\)-检查无线路由器设置](#)

### • 使用有线 LAN 时：

- [进行有线 LAN 设置时无法在检查打印机设置屏幕上找到打印机\(Windows\)-检查 LAN 电缆线和路由器](#)
- [进行有线 LAN 设置时无法在检查打印机设置屏幕上找到打印机\(Windows\)-检查计算机网络连接](#)
- [进行有线 LAN 设置时无法在检查打印机设置屏幕上找到打印机\(Windows\)-检查打印机的有线 LAN 设置](#)
- [进行有线 LAN 设置时无法在检查打印机设置屏幕上找到打印机\(Windows\)-检查打印机的 IP 地址](#)
- [进行有线 LAN 设置时无法在检查打印机设置屏幕上找到打印机\(Windows\)-检查安全软件设置](#)
- [进行有线 LAN 设置时无法在检查打印机设置屏幕上找到打印机\(Windows\)-检查路由器设置](#)



## 进行 Wi-Fi 设置时无法在检查打印机设置屏幕上找到打印机(Windows)-检查电源状态

---



### 是否已开启打印机和网络设备(路由器等)?

确保打印机已开启。

#### ■ [确认电源已开启](#)

确保网络设备(路由器等)已开启。

### 如果打印机或网络设备已关闭:

开启打印机或网络设备。

打印机和网络设备开启后,可能需要一些时间才能准备就绪。开启打印机或网络设备后等待一段时间,然后单击[检查打印机设置](#)屏幕上的[重新检测](#)以重新检测打印机。

找到打印机时,请按照屏幕上的说明操作继续设置网络通讯。

### 如果打印机和网络设备已开启:

如果网络设备已开启,请将其关闭,然后重新开启。

如果上述操作未能解决问题:

#### ■ [进行 Wi-Fi 设置时无法在检查打印机设置屏幕上找到打印机\(Windows\)-检查计算机网络连接](#)



## 进行 Wi-Fi 设置时无法在检查打印机设置屏幕上找到打印机(Windows)-检查计算机网络连接

---



### 是否可以在计算机上查看各种网页？

确保计算机和网络设备(路由器等)已配置以及计算机已连接到网络。

### 如果无法查看网页：

单击**检查打印机设置**屏幕上的**取消**以取消设置网络通讯。

此后，配置计算机和网络设备。

有关步骤，请参阅计算机和网络设备附带的说明手册，或联系其制造商。

如果在配置计算机和网络设备之后可以查看网页，尝试从开头设置网络通讯。

如果上述操作未能解决问题：

- [进行 Wi-Fi 设置时无法在检查打印机设置屏幕上找到打印机\(Windows\)-检查打印机的 Wi-Fi 设置](#)





## 进行 Wi-Fi 设置时无法在检查打印机设置屏幕上找到打印机(Windows)- 检查打印机的 Wi-Fi 设置



### 打印机是否设置为允许无线通讯？

确保触摸屏上显示  或  图标。



#### 如果未显示图标：

打印机未设置为允许无线通讯。在打印机上开启无线通讯。

#### 如果显示图标：

- [进行 Wi-Fi 设置时无法在检查打印机设置屏幕上找到打印机\(Windows\)-检查 Wi-Fi 环境](#)



## 进行 Wi-Fi 设置时无法在检查打印机设置屏幕上找到打印机(Windows)- 检查 Wi-Fi 环境



### 打印机是否已连接到无线路由器？

使用触摸屏上的图标确保打印机已连接到无线路由器。



### 如果显示 ：

- 检查无线路由器配置。

检查无线路由器设置后，确保未将打印机放置于距离无线路由器过远的位置。

打印机最远可距离室内无线路由器 50 米(164 英尺)。确保打印机离要使用的无线路由器足够近。

打印机与无线路由器的放置位置之间应没有障碍物。在不同房间或楼层的无线通讯通常不佳。含金属或混凝土的建筑材料可能会阻碍无线通讯。如果由于墙壁而使打印机无法通过 Wi-Fi 与计算机通讯，请将打印机和计算机放置在同一房间。

此外，如果附近有发出与无线路由器相同频率频宽的无线电波的设备(如微波炉)，则可能会造成干扰。将无线路由器放置于尽量远离干扰源的地方。

#### ►► 注释

- 虽然多数无线路由器附带天线，还请注意部分无线路由器的天线装在机身内部。

- 检查无线路由器设置。

应使用 2.4GHz 频宽连接打印机和无线路由器。确保打印机的连接目标的无线路由器配置为 2.4GHz 频宽。

#### ►► 重要事项

- 请注意，某些无线路由器根据其带宽(2.4GHz 或 5GHz)或用途(计算机或游戏机)使用最后一个字母数字字符区分网络名称(SSID)。

检查触摸屏上打印机的无线路由器网络名称(SSID)。



选择 (设置)图标、**设备设置**、**LAN 设置**和 **Wi-Fi**，然后检查**网络名称(SSID)**。

### 注 释

- 也可以通过选择左下角的图标并选择 **Wi-Fi** 来检查**网络名称(SSID)**。

有关详细资料，请参见无线路由器附带的说明手册或联系制造商。

采取上述措施后，单击**检查打印机设置**屏幕上的**重新检测**以重新检测打印机。

找到打印机时，请按照屏幕上的说明操作继续设置网络通讯。

如果无法检测到打印机，则打印机未连接到无线路由器。将打印机连接到无线路由器。

将打印机连接到无线路由器后，重新设置网络通讯。

**如果显示**  :

- [进行 Wi-Fi 设置时无法在检查打印机设置屏幕上找到打印机\(Windows\)-检查打印机的 IP 地址](#)



## 进行 Wi-Fi 设置时无法在检查打印机设置屏幕上找到打印机(Windows)- 检查打印机的 IP 地址

---



### 是否正确指定打印机的 IP 地址？

如果未正确指定打印机的 IP 地址，可能无法找到打印机。确认打印机的 IP 地址是否未用于其他设备。

要检查打印机的 IP 地址，请打印出网络设置信息或使用操作面板显示。

- 在触摸屏上显示。

- [LAN 设置](#)

- 打印网络设置。

- [打印网络设置](#)

### 如果未正确指定 IP 地址：

请参见如果出现错误屏幕：并指定 IP 地址。

### 如果已正确指定 IP 地址：

- [进行 Wi-Fi 设置时无法在检查打印机设置屏幕上找到打印机\(Windows\)-检查安全软件设置](#)



## 进行 Wi-Fi 设置时无法在检查打印机设置屏幕上找到打印机(Windows)-检查安全软件设置



### 暂时禁用防火墙功能中的限制。

计算机的安全软件或操作系统的防火墙可能限制打印机和计算机之间的通讯。检查安全软件或操作系统的防火墙设置或计算机上显示的信息并暂时禁用限制。

### 如果防火墙干扰设置：

- **如果出现信息：**

如果出现 Canon 软件正在尝试访问网络的警告信息，将安全软件设置为允许访问。

允许软件访问后，单击**检查打印机设置**屏幕上的**重新检测**以重新检测打印机。

找到打印机时，请按照屏幕上的说明操作继续设置网络通讯。

- **如果未出现信息：**

取消设置，然后将安全软件设置为允许 Canon 软件访问网络。

安装光盘中 **win > Driver > DrvSetup** 文件夹下的 **Setup.exe** 或 **Setup64.exe** 文件  
设置完安全软件后，从开始重新执行网络通讯设置。

设置完成后，启用防火墙。

### 注 释

- 有关操作系统或安全软件的防火墙设置的更多信息，请参见说明手册或联系其制造商。

如果上述操作未能解决问题：

- [进行 Wi-Fi 设置时无法在检查打印机设置屏幕上找到打印机\(Windows\)-检查无线路由器设置](#)



## 进行 Wi-Fi 设置时无法在检查打印机设置屏幕上找到打印机(Windows)- 检查无线路由器设置



### 检查无线路由器设置。

检查无线路由器的网络连接设置，如 IP 地址筛选、MAC 地址筛选、加密密钥和 DHCP 功能。

确保指派给打印机与指派给无线路由器的无线电通道相同。

要检查无线路由器的设置，请参见无线路由器附带的说明手册或联系其制造商。

此外，请确保使用的无线路由器配置为 2.4GHz 频宽。

### 重要事项

- 请注意，根据无线路由器带宽(2.4GHz 或 5GHz)或用途(计算机或游戏机)的不同，使用网络名称(SSID)的最后一个字母数字字符指定不同的网络名称(SSID)。

检查无线路由器的设置后，单击**检查打印机设置**屏幕上的**重新检测**以重新检测打印机。

找到打印机时，请按照屏幕上的说明操作继续设置网络通讯。



## 进行有线 LAN 设置时无法在检查打印机设置屏幕上找到打印机 (Windows)-检查 LAN 电缆线和路由器

---



### LAN 电缆线是否已连接，打印机和路由器是否已开启？

确保 LAN 电缆线已连接。

确保打印机已开启。

#### ■ [确认电源已开启](#)

确保路由器已开启。

### 如果 LAN 电缆线已连接，但打印机或网络设备关闭：

开启打印机或网络设备。

打印机和网络设备开启后，可能需要一些时间才能准备就绪。开启打印机或网络设备后等待一段时间，然后单击**检查打印机设置**屏幕上的**重新检测**以重新检测打印机。

找到打印机时，请按照屏幕上的说明操作继续设置网络通讯。

### 如果 LAN 电缆线已连接，且打印机和网络设备已开启：

如果即使打印机和网络设备已开启，但尝试重新检测后仍找不到打印机：

#### ■ [进行有线 LAN 设置时无法在检查打印机设置屏幕上找到打印机\(Windows\)-检查计算机网络连接](#)



## 进行有线 LAN 设置时无法在检查打印机设置屏幕上找到打印机 (Windows)-检查计算机网络连接

---



### 是否可以在计算机上查看各种网页？

确保计算机和网络设备(路由器等)已配置以及计算机已连接到网络。

#### ■ 如果无法查看网页：

单击**检查打印机设置**屏幕上的**取消**以取消设置网络通讯。

此后，配置计算机和网络设备。

有关步骤，请参阅计算机和网络设备附带的说明手册，或联系其制造商。

如果在配置计算机和网络设备之后可以查看网页，尝试从开头设置网络通讯。

#### ■ 如果可以查看网页：

- [进行有线 LAN 设置时无法在检查打印机设置屏幕上找到打印机\(Windows\)-检查打印机的有线 LAN 设置](#)






## 进行有线 LAN 设置时无法在检查打印机设置屏幕上找到打印机 (Windows)-检查打印机的有线 LAN 设置



打印机是否设置为允许有线通讯？

确保触摸屏上显示  图标。



### 如果未显示图标：

打印机未设置为允许有线通讯。在打印机上开启有线通讯。  
开启有线通讯后，重新执行网络通讯设置。

### 如果显示图标：

- [进行有线 LAN 设置时无法在检查打印机设置屏幕上找到打印机\(Windows\)-检查打印机的 IP 地址](#)



## 进行有线 LAN 设置时无法在检查打印机设置屏幕上找到打印机 (Windows)-检查打印机的 IP 地址

---



### 是否正确指定打印机的 IP 地址？

如果未正确指定打印机的 IP 地址，可能无法找到打印机。确认打印机的 IP 地址是否未用于其他设备。

要检查打印机的 IP 地址，请打印出网络设置信息或使用操作面板显示。

- 在触摸屏上显示。

- [LAN 设置](#)

- 打印网络设置。

- [打印网络设置](#)

### 如果未正确指定 IP 地址：

请参见如果出现错误屏幕：并指定 IP 地址。

### 如果已正确指定 IP 地址：

- [进行有线 LAN 设置时无法在检查打印机设置屏幕上找到打印机\(Windows\)-检查安全软件设置](#)



## 进行有线 LAN 设置时无法在检查打印机设置屏幕上找到打印机 (Windows)-检查安全软件设置



### 暂时禁用防火墙功能中的限制。

计算机的安全软件或操作系统的防火墙可能限制打印机和计算机之间的通讯。检查安全软件或操作系统的防火墙设置或计算机上显示的信息并暂时禁用限制。

### 如果防火墙干扰设置：

- 如果出现信息：

如果出现 Canon 软件正在尝试访问网络的警告信息，将安全软件设置为允许访问。

允许软件访问后，单击**检查打印机设置**屏幕上的**重新检测**以重新检测打印机。

找到打印机时，请按照屏幕上的说明操作继续设置网络通讯。

- 如果未出现信息：

取消设置，然后将安全软件设置为允许以下 Canon 软件访问网络。

安装光盘中 **win > Driver > DrvSetup** 文件夹下的 **Setup.exe** 或 **Setup64.exe** 文件

设置完安全软件后，从开始重新执行网络通讯设置。

设置完成后，启用防火墙。

### ▶▶▶ 注释

- 有关操作系统或安全软件的防火墙设置的更多信息，请参见说明手册或联系其制造商。

如果上述操作未能解决问题：

- [进行有线 LAN 设置时无法在检查打印机设置屏幕上找到打印机\(Windows\)-检查路由器设置](#)



## 进行有线 LAN 设置时无法在检查打印机设置屏幕上找到打印机 (Windows)-检查路由器设置

---



### 检查路由器设置。

检查路由器网络连接设置，如 IP 地址筛选、MAC 地址筛选和 DHCP 功能。

有关检查路由器设置的更多信息，请参阅路由器附带的说明手册或联系其制造商。

检查路由器设置后，单击**检查打印机设置**屏幕上的**重新检测**以重新检测打印机。

找到打印机时，请按照屏幕上的说明操作继续设置网络通讯。



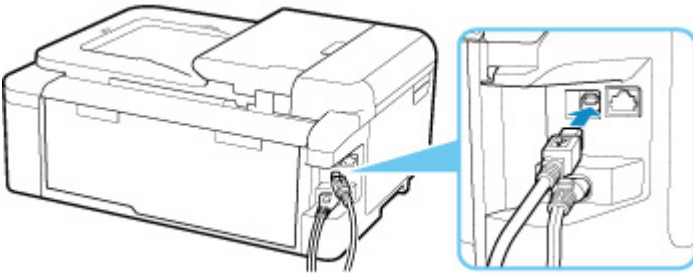
## 在打印机连接屏幕以后无法继续操作



如果在**打印机连接**屏幕以后无法继续操作，请检查以下内容。

**检查 1** 确保 USB 电缆线已稳固地插入打印机和计算机中。

如下图所示，使用 USB 电缆线连接打印机和计算机。USB 端口位于打印机后部。




### 重要事项

- 将“B 型”端子有凹槽的一面向上连接到打印机。有关详细资料，请参阅 USB 电缆线附带的说明手册。

**检查 2** 请按照以下步骤再次连接打印机和计算机。

### 重要事项

- 对于 macOS，确保锁定图标位于**打印机和扫描仪**屏幕的左下方。

如果显示  图标(锁定)，单击该图标可解锁。(需要管理员名称和密码才能解锁。)

1. 从打印机和计算机拔出 USB 电缆线，然后再次连接。
2. 确保没有进行任何打印机操作，然后将其关闭。
3. 开启打印机。

**检查 3** 如果无法解决问题，请按照以下步骤重新安装 MP Drivers。

- 对于 Windows：
  1. 单击**取消**。
  2. 在**设置已取消**屏幕上单击**返回初始界面**。
  3. 单击**开始设置**屏幕上的**退出并结束设置**。
  4. 关闭打印机。

5. 重新启动计算机。
6. 确保没有应用程序软件正在运行。
7. 在网页上执行设置。

#### 注 释

- 可以使用安装光盘恢复设置。

#### • 对于 macOS:

1. 单击**下一步**。  
出现提示安装未完成的屏幕。
2. 单击**否**。  
出现选择要安装的应用程序软件的屏幕。
3. 单击**返回初始界面**。
4. 在**开始设置**屏幕上单击**退出**。
5. 关闭打印机。
6. 重新启动计算机。
7. 确保没有应用程序软件正在运行。
8. 在网页上执行设置。



## 使用 Wi-Fi 时无法找到打印机





### 检查 1 确保打印机已开启。


否则，请确保打印机插头已稳固地插入，然后按**电源**按钮开启打印机。

打印机正在初始化时，**电源**指示灯会闪烁。请等待至**电源**指示灯停止闪烁并持续亮起。

### 检查 2 检查触摸屏上的 (网络状态)图标。

如果显示  图标或仅显示  图标，则无线 LAN 已禁用。

依次选择 **LAN 设置** > **Wi-Fi** > **设置**，然后将**启用/禁用 Wi-Fi** 选择为**启用**。

如果显示  图标，请参见检查 3 或之后的检查项，以确认打印机设置是否完成，或要连接的无线路由器的设置是否正确。

### 检查 3 确保计算机上的打印机设置已完成。

如果未完成，请执行设置。

- 对于 Windows：  
请使用安装光盘或从网页执行设置。
- 对于 macOS：  
从网页执行设置。

### 注 释

- IJ Network Device Setup Utility 可诊断并修复网络状态。请从网页下载。

- 对于 Windows
- 对于 macOS

### 检查 4 确保打印机与无线路由器网络设置相符。

确保打印机的网络设置[例如，网络名称(SSID)或网络密钥(密码)等]与无线路由器的网络设置相同。

要检查无线路由器的设置，请参阅无线路由器附带的说明手册或联系其制造商。

### 注 释

- 使用 2.4GHz 频带连接无线路由器。使为打印机设置的网络名称(SSID)与 2.4GHz 频带无线路由器的网络名称(SSID)匹配。

要检查为打印机设置的网络名称(SSID)，请打印网络设置信息。

## ■ 打印网络设置

### ▶▶▶ 注释

- IJ Network Device Setup Utility 可诊断并修复网络状态。

选择下列链接，下载 IJ Network Device Setup Utility 并安装。

- 使用 IJ Network Device Setup Utility 检查打印机连接状态

有关 IJ Network Device Setup Utility 的启动，请参见以下内容。

- 对于 Windows:

- [启动 IJ Network Device Setup Utility](#)

- 对于 macOS:

- 启动 IJ Network Device Setup Utility

### 检查 5 确保未将打印机放置于距离无线路由器过远的位置。

如果打印机与无线路由器之间的距离太远，则无线通讯不良。请将打印机和无线路由器彼此靠近。

### ▶▶▶ 注释

- 虽然多数无线路由器附带天线，还请注意部分无线路由器的天线装在机身内部。

### 检查 6 确保有较强的无线信号。监视信号强度，并根据需要移动打印机和无线路由器。

打印机与无线路由器的放置位置之间应没有障碍物。在不同房间或楼层的无线通讯通常不佳。含金属或混凝土的建筑材料可能会阻碍无线通讯。如果由于墙壁而使打印机无法通过 Wi-Fi 与计算机通讯，请将打印机和计算机放置在同一房间。

此外，如果附近有发出与无线路由器相同频率频宽的无线电波的设备(如微波炉)，则可能会造成干扰。将无线路由器放置于尽量远离干扰源的地方。

检查触摸屏上的信号强度。

## ■ 使用操作面板

### ▶▶▶ 注释

- IJ Network Device Setup Utility 可诊断并修复网络状态。

选择下列链接，下载 IJ Network Device Setup Utility 并安装。

- 使用 IJ Network Device Setup Utility 检查打印机连接状态

有关 IJ Network Device Setup Utility 的启动，请参见以下内容。

- 对于 Windows:

- [启动 IJ Network Device Setup Utility](#)

- 对于 macOS:

- 启动 IJ Network Device Setup Utility

### 检查 7 确保计算机已连接到无线路由器。

有关如何检查计算机设置或连接状态的详细资料，请参见计算机说明手册或与其制造商联系。



## ▶▶▶ 注释

- 如果使用智能手机或平板电脑，请确保设备上启用了 Wi-Fi。

**检查 8** 确保在打印机驱动程序属性对话框的端口选项卡中选择了启用双向支持。  
(Windows)

否则，请选择该项，以启用双向支持。

**检查 9** 确保安全软件的防火墙已关闭。

如果开启了安全软件的防火墙，则可能显示 Canon 软件正在尝试访问网络的警告信息。如果出现警告信息，请将安全性软件设置为始终允许访问。

如果正在使用任何切换网络环境的程序，请检查其设置。某些程序默认使用防火墙。

**检查 10** 如果打印机通过 LAN 将连接到 AirPort 基站，请确保为网络名称(SSID)使用字母数字字符。(macOS)

**如果问题未解决，请恢复设置。**

- 对于 Windows:  
请使用安装光盘或从网页执行设置。
- 对于 macOS:  
从网页执行设置。

## 网络连接问题

---

- ▶ 打印机因某种原因突然停止工作
- ▶ 网络密钥(密码)未知
- ▶ 更换无线路由器或更改路由器设置后无法使用打印机

## 打印机因某种原因突然停止工作

- [网络配置更改后无法连接打印机](#)
- [无法通过无线 LAN\(Wi-Fi\)连接打印机](#)
- [无法通过无线直连接打印机](#)
- [无法通过有线 LAN 连接打印机](#)
- [无法通过网络打印/扫描](#)

### 网络配置更改后无法连接打印机

#### 

计算机获取 IP 地址可能会花费一些时间，或需要重新启动计算机。  
确保计算机获得有效的 IP 地址，然后再次尝试查找打印机。

### 无法通过无线 LAN(Wi-Fi)连接打印机

#### 

**检查 1** 检查打印机、网络设备(如无线路由器)和智能手机/平板电脑的电源状态。

- 开启打印机或设备。
- 如果电源已开启，请重新启动。
- 可能需要解决无线路由器问题(如密钥的更新间隔、DHCP 更新间隔问题、节能模式等)或更新无线路由器固件。


有关详细资料，请联系无线路由器的制造商。

**检查 2** 是否可以在计算机上查看各种网页？

确保计算机已正确连接到无线路由器。

有关检查计算机设置或连接状态的更多信息，请参见计算机附带的说明手册或联系制造商。

**检查 3** 打印机是否已连接到无线路由器？

使用触摸屏上的图标以检查打印机和无线路由器之间的连接状态。如果未显示  图标，则 Wi-Fi 已禁用。在打印机上开启无线通讯。

**检查 4** 确保打印机与无线路由器网络设置相符。

确保打印机的网络设置[例如，网络名称(SSID)或网络密钥(密码)等]与无线路由器的网络设置相同。  
要检查无线路由器的设置，请参阅无线路由器附带的说明手册或联系其制造商。

## »» 注释

- 使用 2.4GHz 频带连接无线路由器。使为打印机设置的网络名称(SSID)与 2.4GHz 频带无线路由器的网络名称(SSID)匹配。

要检查打印机的当前网络设置，请打印出网络设置信息。

### ■ 打印网络设置

## »» 注释

- IJ Network Device Setup Utility 可诊断并修复网络状态。

选择下列链接，下载 IJ Network Device Setup Utility 并安装。

- 使用 IJ Network Device Setup Utility 检查打印机连接状态

有关 IJ Network Device Setup Utility 的启动，请参见以下内容。

- 对于 Windows:

- [启动 IJ Network Device Setup Utility](#)

- 对于 macOS:

- [启动 IJ Network Device Setup Utility](#)

### 检查 5 确保未将打印机放置于距离无线路由器过远的位置。

如果打印机与无线路由器之间的距离太远，则无线通讯不良。请将打印机和无线路由器彼此靠近。

## »» 注释

- 虽然多数无线路由器附带天线，还请注意部分无线路由器的天线装在机身内部。

### 检查 6 确保有较强的无线信号。监视信号状态，并根据需要移动打印机和无线路由器。

打印机与无线路由器的放置位置之间应没有障碍物。在不同房间或楼层的无线通讯通常不佳。含金属或混凝土的建筑材料可能会阻碍无线通讯。如果由于墙壁而使打印机无法通过 Wi-Fi 与计算机通讯，请将打印机和计算机放置在同一房间。

此外，如果附近有发出与无线路由器相同频率频宽的无线电波的设备(如微波炉)，则可能会造成干扰。将无线路由器放置于尽量远离干扰源的地方。

检查触摸屏上的信号强度。

### ■ [使用操作面板](#)

## »» 注释

- IJ Network Device Setup Utility 可诊断并修复网络状态。

选择下列链接，下载 IJ Network Device Setup Utility 并安装。

- 使用 IJ Network Device Setup Utility 检查打印机连接状态

有关 IJ Network Device Setup Utility 的启动，请参见以下内容。

- 对于 Windows:

- [启动 IJ Network Device Setup Utility](#)

- 对于 macOS:

**检查 7** 确保用于计算机的 Wi-Fi 通道数量。

无线路由器使用的 Wi-Fi 通道号码需要与计算机无线路由器的通道号码相同。通常设置为您可以使用所有 Wi-Fi 通道。但是，如果您正在使用的通道受限制，则 Wi-Fi 通道不匹配。

请参见计算机附带的说明手册，检查计算机可使用的 Wi-Fi 通道号码。

**检查 8** 确保无线路由器上设置的通道是检查 7 中确认的可用通道。

否则，请更改无线路由器上的通道设置。

**检查 9** 确保安全软件的防火墙已关闭。

如果开启了安全软件的防火墙，则可能显示 Canon 软件正在尝试访问网络的警告信息。如果出现警告信息，请将安全性软件设置为始终允许访问。

如果正在使用任何切换网络环境的程序，请检查其设置。某些程序默认使用防火墙。

**检查 10** 如果打印机通过 LAN 将连接到 AirPort 基站，请确保为网络名称(SSID)使用字母数字字符。(macOS)

**如果问题未解决，请恢复设置。**

- 对于 Windows：  
请使用安装光盘或从网页执行设置。
- 对于 macOS：  
从网页执行设置。
- 定位：  
确保在打印机与无线路由器之间没有障碍物。


 **无法通过无线直连连接打印机**



**检查 1** 检查打印机和其他设备(智能手机或平板电脑)的电源状态。

开启打印机或设备。

如果电源已开启，请重新启动。

**检查 2**  图标是否在触摸屏上显示？

否则，无线直连已禁用。开启无线直连。

**检查 3** 检查设备(智能手机/平板电脑)的设置。

确保设备上已启用 Wi-Fi。

有关详细资料，请参阅设备的说明手册。

#### **检查 4** 确保将打印机选择为设备(例如智能手机或平板电脑)的连接目标。

选择为打印机指定的无线直连网络名称(SSID)作为设备的连接目标。

检查设备上的目标位置。

有关详细资料，请参阅设备说明手册或访问制造商网站。

要检查为打印机指定的无线直连网络名称(SSID)，可使用打印机的操作面板将其显示或打印出打印机的网络设置信息。

- 在触摸屏上显示。

■ [LAN 设置](#)

- 打印网络设置。

■ [打印网络设置](#)

#### **检查 5** 是否已输入为无线直连指定的正确密码？

要检查为打印机指定的密码，可使用打印机的操作面板显示密码或打印出打印机的网络设置信息。

- 在触摸屏上显示。

■ [LAN 设置](#)

- 打印网络设置。

■ [打印网络设置](#)

#### **检查 6** 确保未将打印机放置于距离设备过远的位置。

如果打印机与设备之间的距离过远，则无线通讯变差。请将打印机和设备彼此靠近。

#### **检查 7** 确保已连接 5 台设备。

无线直连不允许连接超过 5 台设备。

## 无法通过有线 LAN 连接打印机

### 

#### **检查 1** 确保打印机已开启。

#### **检查 2** 确保 LAN 电缆线已正确连接。

确保打印机已通过 LAN 电缆线连接到路由器。如果 LAN 电缆线松动，请将其正确连接。

如果 LAN 电缆线连接到了路由器的 WAN 一侧，请将其连接到路由器的 LAN 一侧。

**如果问题未解决，请恢复设置。**

- 对于 Windows:

请使用安装光盘或从网页执行设置。

- 对于 Mac OS:  
从网页执行设置。

## 无法通过网络打印/扫描

---

### 

**检查 1** 确保计算机已连接到无线路由器。

有关如何检查计算机设置或连接状态的详细资料，请参见计算机说明手册或与其制造商联系。

**检查 2** 如果 MP Drivers 尚未安装，请进行安装。(Windows)

使用安装光盘或从 Canon 网站安装 MP Drivers。

**检查 3** 使用 Wi-Fi 时，确保无线路由器未限制计算机访问。

有关连接和设置无线路由器的更多信息，请参见无线路由器说明手册或联系其制造商。

### 注释

- 要检查计算机的 MAC 地址或 IP 地址，请参见[检查计算机 IP 地址或 MAC 地址](#)。

## 网络密钥(密码)未知

- [为无线路由器设置的 WPA/WPA2 或 WEP 密钥未知，无法连接](#)
- [设置加密密钥](#)

**Q** 为无线路由器设置的 WPA/WPA2 或 WEP 密钥未知，无法连接

**A**

有关设置无线路由器的更多信息，请参见无线路由器附带的说明手册或联系其制造商。确保计算机可以与无线路由器进行通讯。

### »» 注释

- IJ Network Device Setup Utility 可诊断并修复网络状态。  
选择下列链接，下载 IJ Network Device Setup Utility 并安装。
  - 使用 IJ Network Device Setup Utility 检查打印机连接状态有关 IJ Network Device Setup Utility 的启动，请参见以下内容。
  - 对于 Windows：
    - [启动 IJ Network Device Setup Utility](#)
  - 对于 macOS：
    - 启动 IJ Network Device Setup Utility

**Q** 设置加密密钥

**A**

有关设置无线路由器的更多信息，请参见无线路由器附带的说明手册或联系其制造商。确保计算机可以与无线路由器进行通讯。

### »» 注释

- IJ Network Device Setup Utility 可诊断并修复网络状态。  
选择下列链接，下载 IJ Network Device Setup Utility 并安装。
  - 使用 IJ Network Device Setup Utility 检查打印机连接状态有关 IJ Network Device Setup Utility 的启动，请参见以下内容。
  - 对于 Windows：
    - [启动 IJ Network Device Setup Utility](#)
  - 对于 macOS：
    - 启动 IJ Network Device Setup Utility



为安全起见，建议选择 WPA、WPA2 或 WPA/WPA2。如果无线路由器与 WPA/WPA2 兼容，也可以使用 WPA2 或 WPA。

- **使用 WPA/WPA2(Windows)**

无线路由器、打印机以及计算机上的验证方法、Wi-Fi 密码和动态加密类型都必须一致。

输入在无线路由器上配置的 Wi-Fi 密码。

自动选择 TKIP(基本加密)或 AES(安全加密)作为动态加密方法。

有关详细资料，请参见如果出现 WPA/WPA2 详细信息屏幕。

**注 释**

- 打印机支持 WPA/WPA2-PSK(WPA/WPA2-个人)和 WPA2-PSK(WPA2-个人)。

- **使用 WEP**

无线路由器、打印机以及计算机上的 Wi-Fi 密码长度和格式、验证方法都必须一致。

要与使用自动产生密码的无线路由器通讯，必须将打印机设置为使用无线路由器产生的密码。

- 对于 Windows:

在 IJ Network Device Setup Utility 中的**网络设置(Wi-Fi)**屏幕上单击**搜索...**后，出现 **WEP 详细信息** 屏幕时，请按照屏幕上的说明设置密码长度、格式和内容。

有关详细资料，请参见如果出现 WEP 详细信息屏幕。

**注 释**

- 如果通过 LAN 将打印机连接到 AirPort 基站:

如果通过 LAN 将打印机连接到 AirPort 基站，请检查 **AirPort 实用工具**的**无线安全性**中的设置。

- 如果在 AirPort 基站中选择了 **WEP - 40 位**作为密码长度，请选择 **64 位**。
- 为要使用的密码选择 **1**。否则，计算机将无法通过无线路由器与打印机通讯。



## 更换无线路由器或更改路由器设置后无法使用打印机



更换无线路由器时，请根据所更换的无线路由器重新执行打印机的网络设置。

- 对于 Windows：  
请使用安装光盘或从网页执行设置。
- 对于 macOS：  
从网页执行设置。

### 注释

- IJ Network Device Setup Utility 可诊断并修复网络状态。  
选择下列链接，下载 IJ Network Device Setup Utility 并安装。
  - 使用 IJ Network Device Setup Utility 检查打印机连接状态有关 IJ Network Device Setup Utility 的启动，请参见以下内容。
  - 对于 Windows：
    - [启动 IJ Network Device Setup Utility](#)
  - 对于 macOS：
    - [启动 IJ Network Device Setup Utility](#)

如果此操作未能解决问题，请参见以下内容。

- [在无线路由器上启用 MAC/IP 地址筛选或加密密钥后无法与打印机通讯](#)
- [启用加密时，在无线路由器上更改加密类型后无法与打印机通讯](#)



## 在无线路由器上启用 MAC/IP 地址筛选或加密密钥后无法与打印机通讯



### 检查 1 检查无线路由器设置。

要检查无线路由器设置，请参见无线路由器附带的说明手册或联系其制造商。请确保在此设置下计算机和无线路由器之间可以相互通讯。

### 检查 2 如果在无线路由器上筛选 MAC 地址或 IP 地址，请确认计算机、网络设备和打印机的 MAC 地址或 IP 地址是否已注册。

检查 3 如果使用 WPA/WPA2 密钥或密码，请确保计算机、网络设备和打印机的加密密钥与为无线路由器设置的密钥匹配。

无线路由器、打印机以及计算机上的 Wi-Fi 密码长度和格式、验证方法都必须一致。

有关详细资料，请参见[设置加密密钥](#)。

## 启用加密时，在无线路由器上更改加密类型后无法与打印机通讯

---

### A

如果更改打印机的加密类型后打印机无法与计算机通讯，请确保计算机和无线路由器的加密类型与为打印机设置的加密类型相符。

- [在无线路由器上启用 MAC/IP 地址筛选或加密密钥后无法与打印机通讯](#)

## 其他网络问题

---

- ▶ 检查网络信息
- ▶ 恢复至出厂默认值

## 检查网络信息

---

- [检查打印机 IP 地址或 MAC 地址](#)
- [检查计算机 IP 地址或 MAC 地址](#)
- [检查计算机、打印机和无线路由器之间的通讯](#)
- [检查网络设置信息](#)

### 检查打印机 IP 地址或 MAC 地址

---

#### 

要检查打印机的 IP 地址或 MAC 地址，请打印出网络设置信息或使用操作面板显示。

- 在触摸屏上显示。

- [LAN 设置](#)

- 打印网络设置。

- [打印网络设置](#)

对于 Windows，可以在计算机屏幕上检查网络设置信息。

- [Canon IJ Network Device Setup Utility 屏幕](#)

### 检查计算机 IP 地址或 MAC 地址

---

#### 

要检查计算机的 IP 地址或 MAC 地址，请按照以下说明操作。

- 对于 Windows:

1. 如下所示，选择**命令提示符**。

在 Windows 10 环境下，右键单击**开始**，然后选择**命令提示符**。

在 Windows 8.1 环境下，从**开始**屏幕上选择**命令提示符**。如果**开始**屏幕上未显示**命令提示符**，请选择**搜索**超级按钮，然后搜索“**命令提示符**”。

在 Windows 7 环境下，单击**开始** > **所有程序** > **附件** > **命令提示符**。

2. 输入“ipconfig/all”并按**回车**。

将出现计算机的 IP 地址和 MAC 地址。如果计算机未连接到网络，则不会显示 IP 地址。

- 对于 macOS:

1. 从 Apple 菜单选择**系统偏好设置**，然后单击**网络**。

2. 确保已选择计算机使用的网络接口，然后单击**高级**。

如果正在计算机上使用 Wi-Fi，请确保将 **Wi-Fi** 选择为网络接口。如果正在使用有线 LAN，请确保已选择**以太网**。

3. 单击 **TCP/IP** 检查 IP 地址，或单击**硬件**检查 MAC 地址。

## 检查计算机、打印机和无线路由器之间的通讯

### A

执行 ping 测试以检查是否发生通讯。

- 对于 Windows:

1. 如下所示，选择**命令提示符**。

在 Windows 10 环境下，右键单击**开始**，然后选择**命令提示符**。

在 Windows 8.1 环境下，从**开始**屏幕上选择**命令提示符**。如果**开始**屏幕上未显示**命令提示符**，请选择**搜索**超级按钮，然后搜索“**命令提示符**”。

在 Windows 7 环境下，单击**开始** > **所有程序** > **附件** > **命令提示符**。

2. 键入 ping 命令并按**回车**。

ping 命令如下：ping XXX.XXX.XXX.XXX

“XXX.XXX.XXX.XXX”是目标设备的 IP 地址。

如果发生通讯，会出现如下信息。

来自 XXX.XXX.XXX.XXX 的回复: 字节=32 时间=10ms TTL=255

如果出现**请求超时**，则未发生通讯。

- 对于 macOS:

1. 如下所示启动**网络实用工具**。

在 Finder 的**转到**菜单上选择**电脑**，双击 **Macintosh HD** > **系统** > **资源库** > **CoreServices** > **应用程序** > **网络实用工具**。

2. 单击 **Ping**。

3. 确保已选择**仅发送 XX 个 ping**(XX 为数字)。

4. 在**输入要 ping 的网络地址**中输入目标无线路由器或打印机的 IP 地址。

5. 单击 **Ping**。

“XXX.XXX.XXX.XXX”是目标设备的 IP 地址。

出现如下信息。

```
64 bytes from XXX.XXX.XXX.XXX: icmp_seq=0 ttl=64 time=3.394 ms
64 bytes from XXX.XXX.XXX.XXX: icmp_seq=1 ttl=64 time=1.786 ms
64 bytes from XXX.XXX.XXX.XXX: icmp_seq=2 ttl=64 time=1.739 ms
--- XXX.XXX.XXX.XXX ping statistics ---
3 packets transmitted, 3 packets received, 0% packet loss
```

如果数据包丢失(packet loss)为 100%，则未发生通讯。 否则，计算机与目标设备通讯。

## 检查网络设置信息

---

### 

要检查打印机的网络设置信息，请打印出网络设置信息或使用操作面板显示。

- 在触摸屏上显示。
  - [LAN 设置](#)
- 打印网络设置。
  - [打印网络设置](#)



## 恢复至出厂默认值

---



### 重要事项

- 对于 Windows:  
初始化会删除打印机上的所有网络设置，导致无法通过网络从计算机进行打印或扫描操作。要在恢复至出厂默认值后再次通过网络使用打印机，请使用安装光盘或从网页重新执行设置。
- 对于 macOS:  
初始化会删除打印机上的所有网络设置，导致无法通过网络从计算机进行打印或扫描操作。要在恢复至出厂默认值后再次通过网络使用打印机，请从网页重新执行设置。

使用打印机的操作面板初始化网络设置。

#### ■ [重置设置](#)



## 从智能手机/平板电脑进行打印/扫描的问题

---

- ▶ 无法从智能手机/平板电脑进行打印/扫描

## 无法从智能手机/平板电脑进行打印/扫描

如果无法从智能手机/平板电脑进行打印/扫描，则所用智能手机/平板电脑可能无法与打印机进行通讯。  
根据连接方法检查问题的原因。

- [无法通过无线 LAN 与打印机通讯](#)
- [无法与处于无线直连的打印机通讯](#)

### »» 注释

- 有关使用其他连接方法进行打印的问题或有关执行各连接方法的设置的详细资料：
  - 使用 PIXMA/MAXIFY Cloud Link
  - 使用 Google Cloud Print 进行打印
  - 从 iOS 设备打印(AirPrint)

## 无法通过无线 LAN 与打印机通讯

### A

如果智能手机/平板电脑无法与打印机进行通讯，请检查以下各项。

#### 检查 1 检查打印机、网络设备(如无线路由器)和智能手机/平板电脑的电源状态。

- 开启打印机或设备。
- 如果电源已开启，请重新启动。
- 可能需要解决无线路由器问题(如密钥的更新间隔、DHCP 更新间隔问题、节能模式等)或更新无线路由器固件。


有关详细资料，请联系无线路由器的制造商。

#### 检查 2 检查设备(智能手机/平板电脑)的设置。

确保设备上已启用 Wi-Fi。

有关详细资料，请参阅设备的说明手册。

#### 检查 3 打印机是否已连接到无线路由器？

使用触摸屏上的图标以检查打印机和无线路由器之间的连接状态。如果未显示  图标，则 Wi-Fi 已禁用。  
在打印机上开启无线通讯。

#### 检查 4 打印机的网络设置是否与无线路由器的网络设置相同？

确保打印机的网络设置[例如，网络名称(SSID)或网络密钥(密码)等]与无线路由器的网络设置相同。

要检查无线路由器的设置，请参阅无线路由器附带的说明手册或联系其制造商。

要检查打印机的当前网络设置，请打印出网络设置信息。

- [打印网络设置](#)

## ►► 注释

- IJ Network Device Setup Utility 可诊断并修复网络状态。

选择下列链接，下载 IJ Network Device Setup Utility 并安装。

- 使用 IJ Network Device Setup Utility 检查打印机连接状态

有关 IJ Network Device Setup Utility 的启动，请参见以下内容。

- 对于 Windows:

- [启动 IJ Network Device Setup Utility](#)

- 对于 macOS:

- 启动 IJ Network Device Setup Utility

## 检查 5 所用智能手机/平板电脑的网络设置是否与无线路由器的网络设置相同？

确保打印机的网络设置[例如，网络名称(SSID)或网络密钥(密码)等]与无线路由器的网络设置相同。

要检查所用智能手机/平板电脑的设置，请参阅智能手机/平板电脑附带的说明手册。

如果所用智能手机/平板电脑的网络设置与无线路由器的网络设置不同，请更改智能手机/平板电脑的网络设置，使其与无线路由器的网络设置相符。

## 检查 6 确保未将打印机放置于距离无线路由器过远的位置。

如果打印机与无线路由器之间的距离太远，则无线通讯不良。请将打印机和无线路由器彼此靠近。

## ►► 注释

- 虽然多数无线路由器附带天线，还请注意部分无线路由器的天线装在机身内部。

## 检查 7 确保有较强的无线信号。监视信号状态，并根据需要移动打印机和无线路由器。

打印机与无线路由器的放置位置之间应没有障碍物。在不同房间或楼层的无线通讯通常不佳。含金属或混凝土的建筑材料可能会阻碍无线通讯。如果由于墙壁而使打印机无法通过 Wi-Fi 与计算机通讯，请将打印机和计算机放置在同一房间。

此外，如果附近有发出与无线路由器相同频率频宽的无线电波的设备(如微波炉)，则可能会造成干扰。将无线路由器放置于尽量远离干扰源的地方。

检查触摸屏上的信号强度。

- [使用操作面板](#)

## ►► 注释

- IJ Network Device Setup Utility 可诊断并修复网络状态。

选择下列链接，下载 IJ Network Device Setup Utility 并安装。

- 使用 IJ Network Device Setup Utility 检查打印机连接状态

有关 IJ Network Device Setup Utility 的启动，请参见以下内容。

- 对于 Windows:

- [启动 IJ Network Device Setup Utility](#)

- 对于 macOS:

## 无法与处于无线直连的打印机通讯

### 

如果智能手机/平板电脑无法使用无线直连方式与打印机进行通讯，请检查以下内容。

#### **检查 1** 检查打印机和其他设备(智能手机或平板电脑)的电源状态。

开启打印机或设备。

如果电源已开启，请重新启动。

#### **检查 2** 图标是否在触摸屏上显示？

否则，无线直连已禁用。开启无线直连。

#### **检查 3** 检查设备(智能手机/平板电脑)的设置。

确保设备上已启用 Wi-Fi。

有关详细资料，请参阅设备的说明手册。

#### **检查 4** 确保将打印机选择为设备(例如智能手机或平板电脑)的连接目标。

选择为打印机指定的无线直连网络名称(SSID)作为设备的连接目标。

检查设备上的目标位置。

有关详细资料，请参阅设备说明手册或访问制造商网站。

要检查为打印机指定的无线直连网络名称(SSID)，可使用打印机的操作面板将其显示或打印出打印机的网络设置信息。

- 在触摸屏上显示。

■ [LAN 设置](#)

- 打印网络设置。

■ [打印网络设置](#)

#### **检查 5** 是否已输入为无线直连指定的正确密码？

要检查为打印机指定的密码，可使用打印机的操作面板显示密码或打印出打印机的网络设置信息。

- 在触摸屏上显示。

■ [LAN 设置](#)

- 打印网络设置。

■ [打印网络设置](#)

#### **检查 6** 确保未将打印机放置于距离设备过远的位置。

如果打印机与设备之间的距离过远，则无线通讯变差。请将打印机和设备彼此靠近。

**检查 7** 确保已连接 5 台设备。

无线直连不允许连接超过 5 台设备。

## 打印问题

---

- ▶ 打印机不打印
- ▶ 墨水没有喷出
- ▶ 纸张没有正确送入/“无纸”错误
- ▶ 无法在光盘标签上打印
- ▶ 打印输出的结果不理想



## 打印机不打印



### 检查 1 确保打印机已开启。

否则，请确保打印机插头已稳固地插入，然后按**电源**按钮开启打印机。

打印机正在初始化时，**电源**指示灯会闪烁。请等待至**电源**指示灯停止闪烁并持续亮起。

### 注 释

- 如果正在打印大量数据(如照片或其他图形)，可能需要更长的时间才能开始打印。计算机正在处理数据并将其发送到打印机时，**电源**指示灯会闪烁。请等待至打印开始。

### 检查 2 确保打印机已正确连接到计算机。

如果正在使用 USB 电缆线，确保其已稳固地连接到打印机和计算机。USB 电缆线插头已稳固地插入时，请检查以下内容：

- 如果正在使用继电器设备(如 USB 集线器)，请断开连接，将打印机直接连接到计算机，并重试打印。如果打印正常开始，则继电器设备有问题。请与继电器设备厂商联系。
- 也可能是 USB 电缆线有问题。更换 USB 电缆线并重试打印。

如果通过 LAN 使用打印机，请确保已正确设置打印机以供网络使用。

■ [使用 Wi-Fi 时无法找到打印机](#)

■ [使用有线 LAN 时无法找到打印机](#)

### 注 释

- IJ Network Device Setup Utility 可诊断并修复网络状态。请从网页下载。
  - 对于 Windows
  - 对于 macOS

### 检查 3 确保纸张设置与后端托盘或纸盒的设置信息匹配。

如果纸张设置与后端托盘或纸盒的设置信息不匹配，触摸屏上会出现错误信息。按照触摸屏上的说明解决问题。

### 注 释

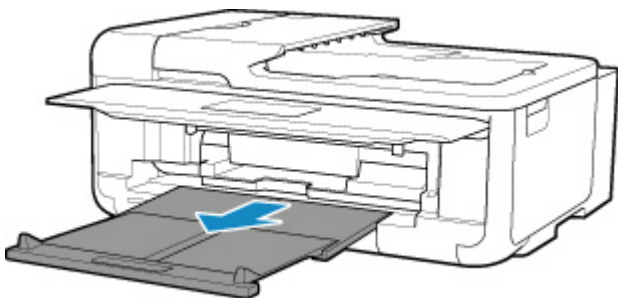
- 可以选择是否显示防止误打印的信息。
  - 要更改使用打印机的操作面板打印或复印时的信息视图设置：
    - [送纸设置](#)
  - 要更改使用打印机驱动程序进行打印时的信息视图设置：
    - [更改打印机操作模式](#) (Windows)
    - [更改打印机操作模式](#) (macOS)

#### 检查 4 如果从计算机打印，请删除打印队列中已停止的打印作业。

- 对于 Windows：
  - 删除不需要的打印作业
- 对于 macOS：
  - 删除不需要的打印作业

#### 检查 5 确保出纸托盘位于正常打印位置。

不使用多用途托盘时，从前部拉出出纸托盘，直到不能再拉出为止，然后选择触摸屏上的 **OK**。



#### 检查 6 打印时是否已选择打印机的打印机驱动程序？

如果正在使用的是其他打印机的打印机驱动程序，则打印机将无法正确打印。

- 对于 Windows：

确保在打印对话框中选择了“Canon XXX series”（“XXX”表示打印机的名称）。

##### ▶▶▶ 注释

- 如果计算机中注册了多个打印机，请为一台打印机选择**设置为默认打印机**，以默认选择该打印机。

- 对于 macOS：

确保在打印对话框的**打印机**中选择了所用打印机的名称。

##### ▶▶▶ 注释

- 如果计算机中注册了多个打印机，请为一台打印机选择**系统偏好设置 > 打印机与扫描仪**中的**设置为默认打印机**，以默认选择该打印机。

#### 检查 7 要打印大数据文件吗？(Windows)

如果正在尝试打印大文件，需要较长时间才会开始打印。

如果一段时间后打印机未开始打印，请将**防止打印数据丢失**选择为**开**。

有关详细资料，请参阅[页设置选项卡的说明](#)。

##### ▶▶▶ 重要事项

- **防止打印数据丢失**选择为**开**时，打印质量可能会降低。
- 打印完成后，请将**防止打印数据丢失**选择为**关**。

#### 检查 8 如果从计算机打印，请重新启动计算机。

重新启动计算机，然后重试打印。





## 墨水没有喷出



### 检查 1 确保墨水盒中的墨水量符合估计量。

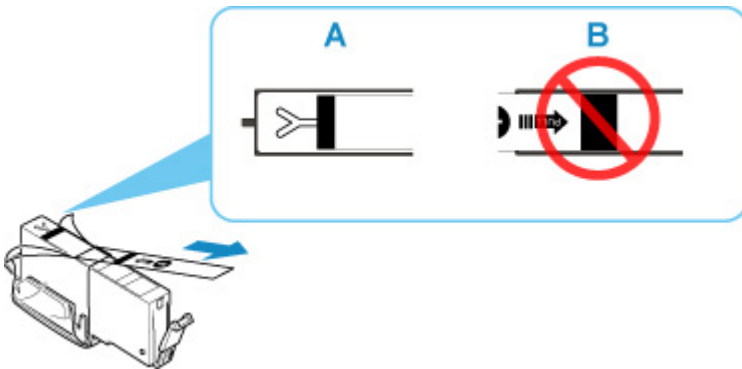
检查触摸屏上的墨水状态。

■ [在触摸屏上检查墨水状态](#)

### 检查 2 橙色胶带和塑料包装是否仍在墨水盒上？

确保如下图(A)所示撕下所有塑料保护包装，露出 Y 形区域。

如果橙色胶带仍留在墨水盒(B)上，请将其撕下。



### 检查 3 打印头喷嘴是否堵塞？

打印喷嘴检查图案以确定打印头喷嘴是否正常喷出墨水。

有关打印喷嘴检查图案、打印头清洗和打印头深度清洗的详细资料，请参见[如果打印变得暗淡或不均匀](#)。

- 如果喷嘴检查图案打印不正确：  
检查问题颜色的墨水盒是否用尽。  
如果墨水盒未用尽，请执行打印头清洗并再次尝试打印喷嘴检查图案。
- 如果执行两次打印头清洗后问题仍未解决：  
执行打印头深度清洗。  
如果执行打印头深度清洗后问题仍未解决，请关闭打印机并在 24 小时后再次执行打印头深度清洗。
- 如果执行两次打印头深度清洗后问题仍未解决：  
如果打印头深度清洗无法解决问题，打印头可能已损坏。请与最近的 Canon 服务中心联系以要求维修。



## 纸张没有正确送入/“无纸”错误



**检查 1** 确保已装入纸张。

■ [装入纸张](#)

**检查 2** 装入纸张时，请注意以下事项。

- 装入两张或更多纸张时，装入纸张前请首先将纸张的边缘对齐。
- 装入两页或更多纸张时，请确保纸叠不超过纸张装入限量。

但是，根据纸张的类型或环境状况(很高或很低的温度或湿度)，纸张可能无法以此最大容量正确送入。在这种情况下，请将一次装入的纸张数减少到纸张装入限量的一半以下。

- 无论打印方向如何，请务必纵向装入纸张。
- 在后端托盘中装入纸张时，将纸张的打印面向上并使右侧和左侧纸张导片与纸叠对齐。

■ [装入纸张](#)

- 在纸盒中，务必仅装入普通纸。
- 在纸盒中装入纸张时，将纸张的打印面向下并使右侧/左侧/前端纸张导片与纸叠对齐。

■ [装入纸张](#)

**检查 3** 纸张是否过厚或卷曲？

■ [不支持的介质类型](#)

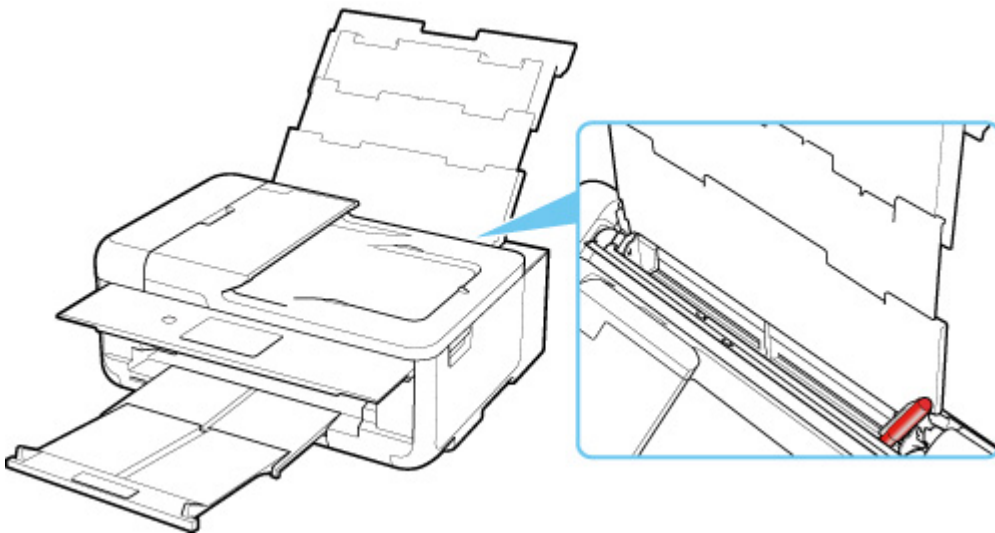
**检查 4** 装入信封时，请注意以下事项。

在信封上打印时，请参见[在后端托盘中装入信封](#)，在打印前准备好信封。

准备好信封后，请将其纵向装入。如果信封横向装入，将无法正确地送入。

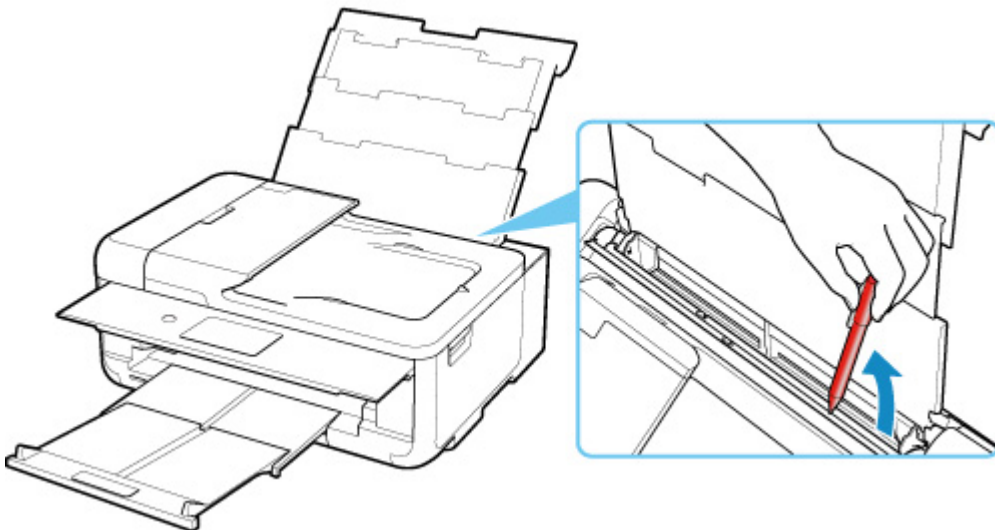
**检查 5** 确保介质类型和纸张尺寸设置与已装入的纸张一致。

**检查 6** 确保后端托盘中没有任何异物。



如果纸张在后端托盘中撕裂，请参见[与错误对应的支持代码列表\(卡纸\)](#)以将其取出。

如果后端托盘中有任何异物，请务必关闭打印机，从电源插座拔出打印机插头，然后取出异物。



### ►► 注释

- 如果进纸插槽盖板打开，请慢慢将其关闭。

### 检查 7 清洁进纸滚轴。

#### ■ 清洁进纸滚轴

### ►► 注释

- 清洁进纸滚轴会磨损进纸滚轴，因此，请仅在需要时执行此操作。

### 检查 8 如果从纸盒一次送入两张或更多纸张，请清洁纸盒内部。

#### ■ 清洁纸盒垫板

### 检查 9 传送单元盖和后盖是否已正确安装？

有关传送单元盖和后盖的位置，请参见[后视图](#)。

如果以上措施未能解决问题，请与最近的 Canon 服务中心联系以要求维修。

## 无法在光盘标签上打印

### ■ 光盘标签打印未开始

### ■ 未正确装入多用途托盘

### ■ 多用途托盘卡住

## Q 光盘标签打印未开始

### A

#### 检查 1 多用途托盘是否正确放置？

重新正确放置多用途托盘，并点击触摸屏上的 **OK**。

使用本打印机附带的多用途托盘。

有关放置多用途托盘的更多信息，请参见[放置可打印光盘](#)。

#### 检查 2 可打印光盘是否已放置在多用途托盘上？

将可打印光盘正确放置在多用途托盘上，然后点击触摸屏上的 **OK**。

使用本打印机附带的多用途托盘。

有关放置多用途托盘的更多信息，请参见[放置可打印光盘](#)。

#### 检查 3 是否已放置了多用途托盘一段时间？

如果已放置多用途托盘一段时间，它可能会弹出。

请按照触摸屏上的说明尝试重新操作。

## Q 未正确装入多用途托盘

### A

#### 检查 1 多用途托盘是否正确放置？

重新正确放置多用途托盘，并点击触摸屏上的 **OK**。

使用本打印机附带的多用途托盘。

有关放置多用途托盘的更多信息，请参见[放置可打印光盘](#)。

#### 检查 2 可能放入了无法识别的可打印光盘。

Canon 建议使用经过特殊处理的可由喷墨打印机打印的可打印光盘。

## 多用途托盘卡住

---

### A

轻轻拉出多用途托盘。

如果无法拉出多用途托盘，请关闭并重新打开电源开关。多用途托盘将自动弹出。

拉出多用途托盘后，重新放置多用途托盘，并重试打印。有关放置多用途托盘的更多信息，请参见[放置可打印光盘](#)。

如果多用途托盘仍然被卡住，请检查可打印光盘是否有问题。

■ [未正确装入多用途托盘](#)



## 打印输出的结果不理想



如果由于白色条纹、线条偏移/歪斜或颜色不均匀而造成打印效果不理想，请首先确认纸张和打印质量设置。

### 检查 1 页尺寸和介质类型设置是否与已装入纸张的尺寸和类型一致？

如果这些设置不匹配，则无法获得理想的结果。

如果打印照片或插图，不正确的纸张类型设置可能会降低打印输出色彩的质量。

同样，如果使用错误的纸张类型设置打印，则打印面可能出现划痕。

如果使用无边距打印，根据不同的纸张类型设置和所装入纸张的组合，可能出现颜色不均匀。

根据打印机的用途，检查纸张和打印质量设置的方法有所不同。

- 从存储卡复印/打印

使用操作面板检查设置。

■ [设置复印项目](#)

■ [使用操作面板设置照片打印的项目](#)

- 从计算机打印

使用打印机驱动程序检查该设置。

■ [基本打印设置](#)

- 从兼容 PictBridge(Wi-Fi)的设备打印

检查兼容 PictBridge(Wi-Fi)的设备上的设置或使用操作面板。

■ [PictBridge\(Wi-Fi\)打印设置](#)

■ [PictBridge 设置](#)

- 使用 Canon PRINT Inkjet/SELPHY 从智能手机/平板电脑打印

检查 Canon PRINT Inkjet/SELPHY 上的设置。

■ [使用 Canon PRINT Inkjet/SELPHY 从智能手机或平板电脑轻松进行打印](#)

### 检查 2 确保选择了正确的打印质量(请参见上述列表)。

选择适用于纸张和打印内容的打印质量。如果发现模糊不清或颜色不均匀，请提高打印质量设置并重试打印。

#### ►► 注释

- 从兼容 PictBridge(Wi-Fi)的设备打印时，请使用操作面板设置打印质量设置。

无法在兼容 PictBridge(Wi-Fi)的设备上进行此设置。

### 检查 3 如果问题未解决，另请检查以下内容。

另请参见以下章节：

■ [打印输出空白/模糊不清/颜色不准确或渗出/出现条纹或线条](#)

- ■ [线条未对齐/变形](#)
- ■ [纸张出现污迹/打印面有划痕](#)
- ■ [图像旁边有垂直线条](#)
- ■ 无法完成打印
- ■ 页面的一部分未打印(Windows)
- ■ 线条不完整或缺失(Windows)
- ■ 图像不完整或缺失(Windows)
- ■ 墨水渍/纸张卷曲
- ■ 纸张背面出现污迹
- ■ 颜色不均匀或有条纹

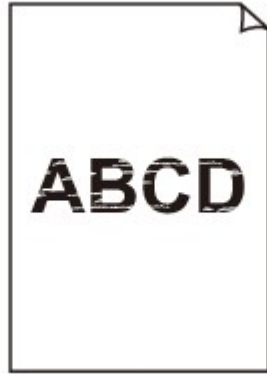




## 打印输出空白/模糊不清/颜色不准确或渗出/出现条纹或线条



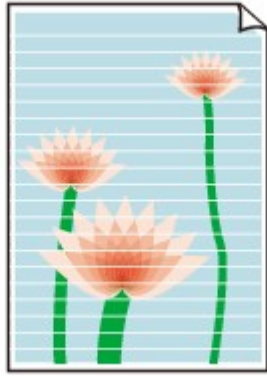
### 打印模糊不清



### 颜色错误



## 出现白色条纹



### A

**检查 1** 检查纸张和打印质量设置。

■ [打印输出的结果不理想](#)

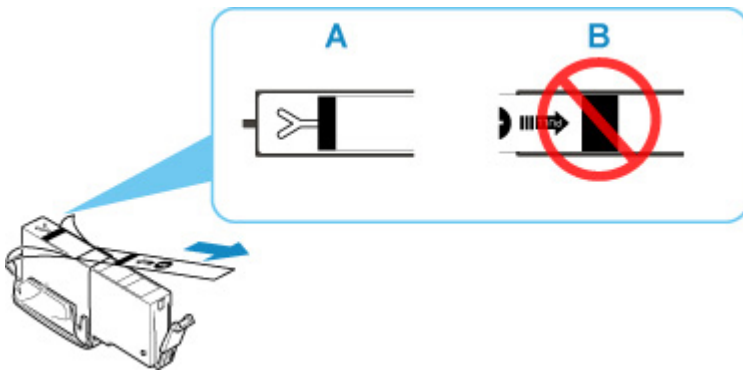
**检查 2** 检查墨水盒状态。如果墨水已用完，请更换墨水盒。

■ [更换墨水盒](#)

**检查 3** 橙色胶带和塑料包装是否仍在墨水盒上？

确保如下图(A)所示撕下所有塑料保护包装，露出 Y 形区域。

如果橙色胶带仍留在墨水盒(B)上，请将其撕下。



**检查 4** 打印头喷嘴是否堵塞？

打印喷嘴检查图案以确定打印头喷嘴是否正常喷出墨水。

有关打印喷嘴检查图案、打印头清洗和打印头深度清洗的详细资料，请参见[如果打印变得暗淡或不均匀](#)。

- 如果喷嘴检查图案打印不正确：  
检查问题颜色的墨水盒是否用尽。  
如果墨水盒未用尽，请执行打印头清洗并再次尝试打印喷嘴检查图案。
- 如果执行两次打印头清洗后问题仍未解决：  
执行打印头深度清洗。

如果执行打印头深度清洗后问题仍未解决，请关闭打印机并在 24 小时后再次执行打印头深度清洗。

- 如果执行两次打印头深度清洗后问题仍未解决：

如果打印头深度清洗无法解决问题，打印头可能已损坏。请与最近的 Canon 服务中心联系以要求维修。

#### 检查 5 使用仅一面可打印的纸张时，请检查正确的纸张打印面。

在这种纸张错误的一面上打印可能会造成打印不清晰或打印质量降低。

在后端托盘中装入纸张时，将纸张打印面向上装入。在纸盒中装入纸张时，将纸张打印面向下装入。

有关可打印面的详细信息，请参阅纸张附带的说明手册。

- 复印时，另请参见以下部分：

#### 检查 6 稿台玻璃或自动输稿器的玻璃是否脏污？

清洁稿台玻璃或自动输稿器玻璃。

■ 清洁稿台玻璃和文档盖板

■ 清洁 ADF(自动输稿器)

#### ►► 注释

- 如果自动输稿器玻璃脏污，纸张上会出现如下所示的黑色条纹。



#### 检查 7 确保原稿正确放置在稿台玻璃或自动输稿器上。

在稿台玻璃上放置原稿时，将复印面向下放置。

在自动输稿器上放置原稿时，将复印面向上放置。

■ [放置原稿](#)

#### 检查 8 复印来源是否为打印机打印过的纸张？

如果使用该打印机的打印结果作为原稿，则根据原稿的状况，打印质量可能会下降。

直接从打印机打印，或者如果可以，从计算机重新打印。



## 线条未对齐/变形



**检查 1** 检查纸张和打印质量设置。

■ [打印输出的结果不理想](#)

**检查 2** 执行打印头对齐。

如果打印的线条没有对齐/歪斜或打印效果不理想，请调整打印头位置。

■ [对齐打印头](#)

### »» 注释

- 如果执行打印头对齐后问题未解决，请从计算机手动执行打印头对齐。
  - 对于 Windows：
    - [手动调整打印头位置](#)
  - 对于 macOS：
    - [调整打印头位置](#)

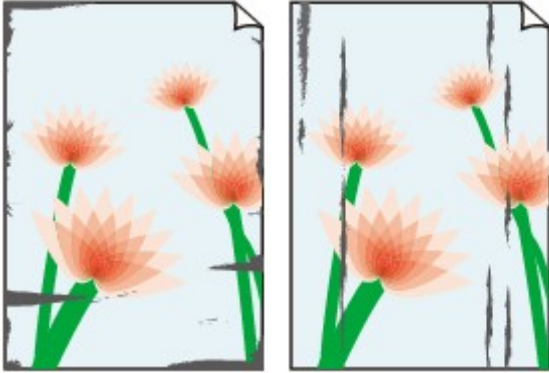
**检查 3** 提高打印质量并再次尝试打印。

使用操作面板或打印机驱动程序提高打印质量可能改善打印结果。



## 纸张出现污迹/打印面有划痕

### 纸张出现污迹



边缘有污迹

表面有污迹

---

### 打印面有划痕



**检查 1** 检查纸张和打印质量设置。

■ [打印输出的结果不理想](#)

**检查 2** 检查纸张类型。

确保正在使用正确的纸张进行打印。

■ [支持的介质类型](#)

**检查 3** 装入纸张前平整卷曲。

使用亚高光泽照片纸时，即使纸张卷曲，也请按原样一次装入一张纸。如果向相反方向卷起纸张以平整纸张，可能造成纸张表面出现裂纹并降低打印质量。

建议将未用完的纸张放回包装并将其平展放置。

- **普通纸**

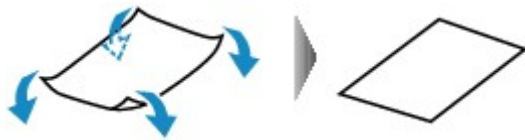
翻转纸张并重新装入以在另一面上打印。

- **其他纸张(如信封)**

如果纸张四角的卷曲高度超过 3 毫米/0.1 英寸(A)，纸张可能出现污迹或可能无法正确送入。按照以下说明平整纸张卷曲。



1. 如下图所示，向纸张卷曲的相反方向卷起纸张。

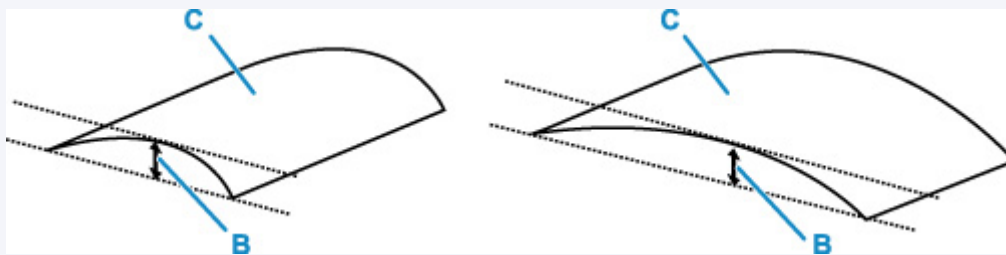


2. 确认纸张现在已平展。

建议每次使用一张平整后的纸张打印。

### ►►► 注释

- 根据纸张类型，即使纸张未向内卷曲也可能出现污迹或无法正确送入。打印前请按照以下说明向外卷曲纸张，并且高度在 3 毫米/0.1 英寸(B)以内。这可能会改善打印效果。



(C) 打印面

建议每次送入一张向外卷曲过的纸张。

### 检查 4 设置打印机以防止纸张磨损。

调整防止纸张磨损的设置时会增加打印头与纸张之间的间隙。如果发现介质类型设置与纸张正确匹配时仍出现磨损，请使用操作面板或计算机设置打印机以防止纸张磨损。

这可能会降低打印速度。

\* 完成打印后，请撤销此设置。否则，此设置将应用于后续打印作业。

- 从操作面板

触摸主页按钮，选择  (设置)图标、**设置**、**设备设置**和**打印设置**，然后将**防止纸张磨损**设置为开。

#### ■ [从操作面板更改设置](#)

- 从计算机

◦ 对于 Windows:

1. 确认打印机是否已开启。
2. 打开 Canon IJ Printer Assistant Tool。

## ■ 维护选项卡的说明

3. 选择**选择打印机...**，从下拉菜单中选择正在使用的打印机，然后选择**确定**。

4. 选择**用户定义设置**。

5. 选择**防止纸张磨损**复选框并单击**确定**。

◦ 对于 macOS:

从远程用户界面调整设置以防止纸张磨损。

## ■ 打开远程用户界面进行维护

**检查 5** 如果亮度设置较低，请提高亮度设置并再次尝试打印。

如果正在使用低亮度设置在普通纸上打印，纸张可能会吸收过多墨水并卷曲，造成纸张磨损。

• 从计算机打印(Windows)

检查打印机驱动程序中的亮度设置。

## ■ 调节亮度

• 复印

## ■ 设置复印项目

**检查 6** 稿台玻璃或自动输稿器的玻璃是否脏污？

清洁稿台玻璃或自动输稿器玻璃。

## ■ 清洁稿台玻璃和文档盖板

## ■ 清洁 ADF(自动输稿器)

## ▶▶▶ 注释

• 如果自动输稿器玻璃脏污，纸张上会出现如下所示的黑色条纹。



**检查 7** 进纸滚轴是否脏污？

清洁进纸滚轴。

## ■ 清洁进纸滚轴

## ▶▶▶ 注释

• 清洁进纸滚轴会磨损进纸滚轴，因此，请仅在需要时执行此操作。

**检查 8** 打印机内部是否脏污？

在双面打印过程中，墨水可能会弄脏打印机内部，使打印输出脏污。

执行底板清洁可清洁打印机内部。

#### ■ [清洁打印机内部\(底板清洁\)](#)

### 注 释

- 要防止打印机内部脏污，请务必设置正确的纸张尺寸。

#### 检查 9 设置更长的墨水晾干时间。

此功能可以晾干打印面，避免出现污迹和划痕。

- 对于 Windows：

1. 确认打印机是否已开启。
2. 打开 Canon IJ Printer Assistant Tool。

#### ■ [维护选项卡的说明](#)

3. 选择**选择打印机...**，从下拉菜单中选择正在使用的打印机，然后选择**确定**。
4. 选择**用户定义设置**。
5. 拖动**墨水晾干等待时间**滑动条以设置等待时间，然后单击**确定**。
6. 查看信息，并单击**确定**。

- 对于 macOS：

使用远程用户界面设置等待时间。

#### ■ [更改打印机操作模式](#)





## 图像旁边有垂直线条



### 检查 装入的纸张尺寸是否正确？

如果装入的纸张尺寸大于指定的尺寸，边距上可能会出现垂直线条。

设置纸张尺寸以匹配装入的纸张。

### 打印输出的结果不理想

#### 注释

- 根据图像数据或打印设置，垂直线条图案的方向可能有所不同。
- 本打印机在必要时执行自动清洁以保持打印输出干净。清洁时会喷出少量的墨水。

虽然墨水通常喷在纸张外边缘的墨水收集器上，但如果装入的纸张尺寸大于设置的尺寸，墨水也可能会喷到纸张上。

## 扫描问题 (Windows)

---

### ▶ 扫描问题

## 扫描问题

---

- ▶ 扫描仪不工作
- ▶ ScanGear(扫描仪驱动程序)不启动



## 扫描仪不工作

---



**检查 1** 确保扫描仪或打印机已开启。

**检查 2** 将 USB 电缆线连接到计算机上的另一个 USB 端口。

**检查 3** 如果 USB 电缆线连接到 USB 集线器，请将其从 USB 集线器上移除并连接到计算机上的 USB 端口。

**检查 4** 使用网络连接时，检查连接状态并根据需要重新连接。

**检查 5** 重新启动计算机。



## ScanGear(扫描仪驱动程序)不启动

---



**检查 1** 确保已安装 MP Drivers。

如果尚未安装，请从安装光盘或我们的网站安装 MP Drivers。

**检查 2** 在应用程序的菜单中选择所用的扫描仪或打印机。

### 重要事项

- 如果多次显示所用的扫描仪或打印机名称，请选择不包含 WIA 的名称。

### 注释

- 操作可能因应用程序而有所不同。
- 从兼容 WIA 的应用程序扫描时，请使用 WIA 驱动程序。
  - 使用 WIA 驱动程序扫描

**检查 3** 确保应用程序支持 TWAIN。

无法从不支持 TWAIN 的应用程序中启动 ScanGear(扫描仪驱动程序)。

**检查 4** 使用 IJ Scan Utility 扫描并保存图像并在应用程序中打开文件。

## 机械问题

---

- ▶ 打印机未开启
- ▶ 打印机意外关闭或反复关闭
- ▶ **USB 连接问题**
- ▶ 无法通过 **USB** 与打印机通讯
- ▶ 触摸屏上出现错误的语言



## 打印机未开启

---



**检查 1** 按**电源**按钮。

**检查 2** 确保电源插头已稳固地连接到打印机，然后重新开启。

**检查 3** 拔出打印机插头，至少等待 2 分钟，然后重新插入插头并再次开启。

如果此操作未能解决问题，请与最近的 Canon 服务中心联系以要求维修。



## 打印机意外关闭或反复关闭




**检查** 如果将打印机设置为一段时间后自动关闭，请禁用此设置。

如果将打印机设置为在指定时间后自动关闭，则该时间过后，电源将自动关闭。

- 要从操作面板禁用该设置：

1. 确认打印机是否已开启。

2. 在主页屏幕上选择  (设置)。

3. 选择  环保。

4. 选择**节能设置**。

5. 检查显示的信息，然后选择**下一步**。

6. 选择**自动电源关闭**。

7. 选择**从不**。

8. 选择**OK**。

此设置被禁用。

- 要从计算机禁用该设置：

对于 Windows，使用 Canon IJ Printer Assistant Tool 或 ScanGear(扫描仪驱动程序)禁用该设置。

按照以下步骤使用 Canon IJ Printer Assistant Tool 禁用该设置。

1. 打开 Canon IJ Printer Assistant Tool。

■ [维护选项卡的说明](#)

2. 选择**选择打印机...**，从下拉菜单中选择正在使用的打印机，然后选择**确定**。

3. 选择**自动电源**。

4. 将**自动电源关闭**选择为**禁用**。



5. 选择**确定**。

6. 在显示的屏幕中选择**确定**。

用于自动关闭电源的设置被禁用。

### »» 注释

- 要从 ScanGear(扫描仪驱动程序)禁用设置，请参阅以下内容。

■ 扫描仪选项卡

## USB 连接问题

**Q** 打印或扫描速度慢/Hi-Speed USB 连接不能工作/出现信息“此设备可提高性能” (Windows)

**A**

如果系统环境不支持 Hi-Speed USB，打印机将以 USB 1.1 的较慢速度运行。在这种情况下，打印机可正常工作，但打印或扫描速度可能会因通讯速度而降低。

**检查** 检查以下各项以确保系统环境支持 Hi-Speed USB 连接。

- 计算机的 USB 端口是否支持 Hi-Speed USB 连接？
- USB 电缆线或 USB 集线器是否支持 Hi-Speed USB 连接？  
务必使用合格的 Hi-Speed USB 电缆线。建议使用长度不超过约 3 米/10 英尺的 USB 电缆线。
- Hi-Speed USB 驱动程序是否在计算机上正常工作？  
确保最新 Hi-Speed USB 驱动程序正常工作，并在必要时为计算机获取并安装最新版本的 Hi-Speed USB 驱动程序。

### 重要事项

- 有关更多信息，请联系计算机、USB 电缆线或 USB 集线器制造商。



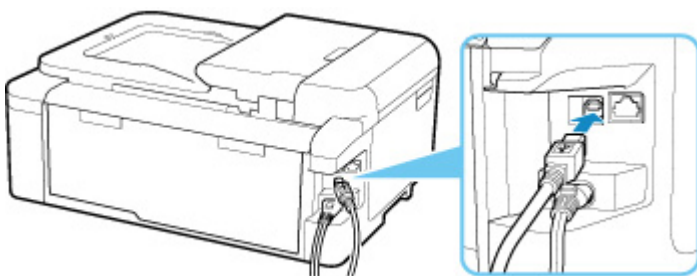
## 无法通过 USB 与打印机通讯



**检查 1** 确保打印机已开启。

**检查 2** 正确连接 USB 电缆线。

如下图所示，USB 端口位于打印机后部。



### 重要事项

- 将“B 型”端子有凹槽的一面向上连接到打印机。有关详细资料，请参阅 USB 电缆线附带的说明手册。

**检查 3** 确保在打印机驱动程序属性对话框的端口选项卡中选择了启用双向支持。  
(Windows)

否则，请选择该项，以启用双向支持。

- [打开打印机驱动程序设置屏幕](#)



## 触摸屏上出现错误的语言

---



请按照以下说明选择语言。

1. 按**主页**按钮并等待一段时间。

2. 选择  (设置)图标。

■ ■ [使用操作面板](#)

3. 选择 。

4. 选择自顶端起第六个设置项目。

5. 选择触摸屏的语言。

6. 选择左下角的按钮。

## 安装和下载问题

---

- ▶ 安装 MP Drivers 失败(Windows)
- ▶ 在网络环境中更新 MP Drivers(Windows)



## 安装 MP Drivers 失败(Windows)



- 如果插入安装光盘后安装未开始：

请按照以下说明开始安装。

### 1. 请进行以下设置。

- 在 Windows 10 环境下，单击**开始** > **文件资源管理器**，然后从左侧列表中单击**这台电脑**。
- 在 Windows 8.1 环境下，选择**桌面上任务栏**中的 **Explorer** 图标，然后从左侧列表中选择**这台电脑**。
- 在 Windows 7 环境下，单击**开始**，然后单击**计算机**。

### 2. 在出现的窗口中双击 光盘图标。

如果出现了光盘的内容，双击 **MSETUP4.EXE**。

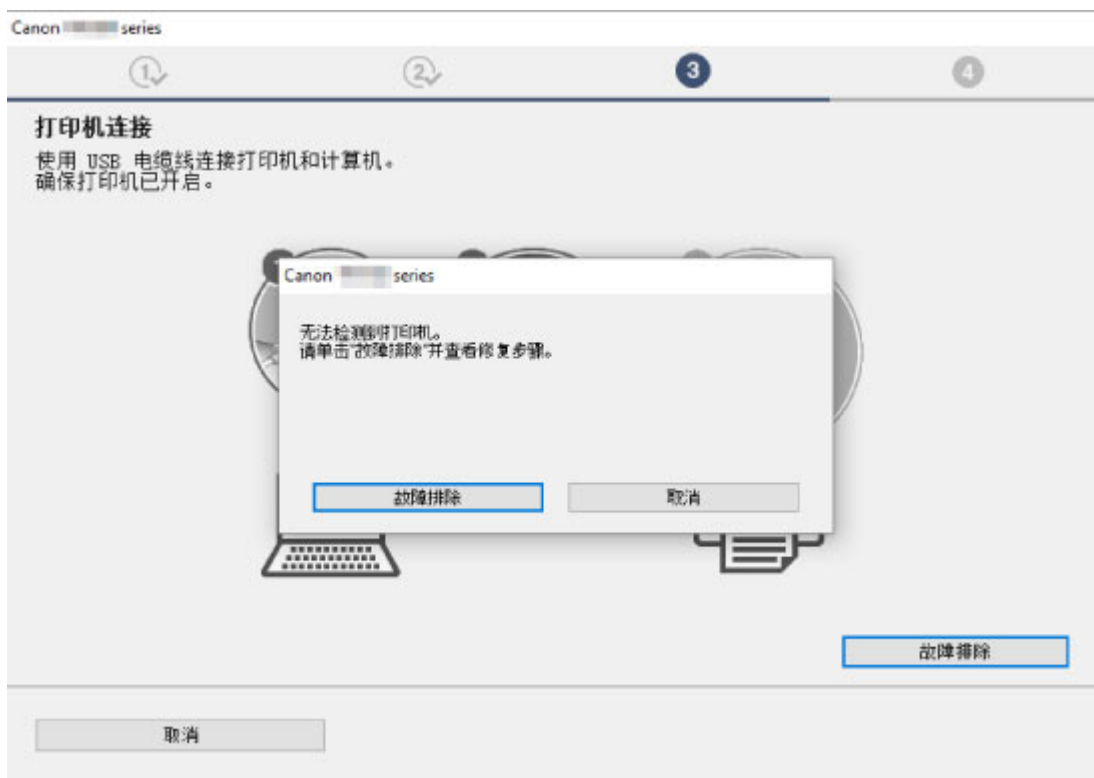
如果无法使用安装光盘安装 MP Drivers，请从 Canon 网站进行安装。

### 注 释

- 如果未出现光盘图标，请尝试以下操作：
  - 从计算机中取出光盘，然后将其重新插入。
  - 重新启动计算机。

如果仍未出现光盘图标，请试用其他光盘，然后查看是否会出现光盘图标。如果出现，则此安装光盘存在问题。请与最近的 Canon 服务中心联系以要求维修。

- 如果无法通过打印机连接屏幕：



#### ■在打印机连接屏幕以后无法继续操作

- 其他情况：

重新安装 MP Drivers。

如果没有正确地安装 MP Drivers，请卸载 MP Drivers，重新启动计算机，然后重新安装 MP Drivers。

#### ■删除不需要的 MP Drivers

使用安装光盘或从 Canon 网站重新安装 MP Drivers。

#### ▶▶▶ 注释

- 如果因 Windows 错误而导致安装程序停止，Windows 操作可能不稳定，并且可能无法安装驱动程序。请重新启动计算机，然后重新安装驱动程序。



## 在网络环境中更新 MP Drivers(Windows)

---



下载最新的 MP Drivers。

在 Canon 网站的下载网页上，下载所用型号的最新 MP Drivers。

卸载现有的 MP Drivers，并按照安装说明安装下载的最新 MP Drivers。在连接方法选择屏幕中，根据使用的连接方法选择**通过 Wi-Fi 连接使用打印机**或**通过有线 LAN 连接使用打印机**。将会自动在网络中检测打印机。

确保已找到打印机，并按照屏幕上的说明安装 MP Drivers。

### ▶▶▶ 注释

- 打印机上的网络设置不会受到影响，因此可以在网络上使用打印机而无需恢复设置。



## 错误和信息

---

- ▶ 发生错误
- ▶ 出现信息(支持代码)

## 发生错误

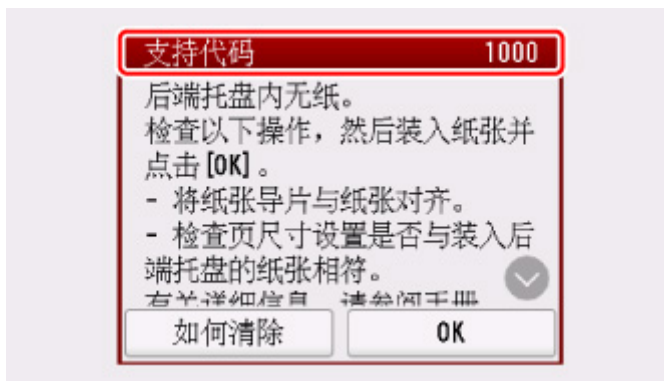
如果打印时发生错误(例如, 纸张用完或卡纸), 会自动显示故障排除信息。采取信息中描述的适当措施。

发生错误时, 计算机上会出现信息, 或打印机屏幕上出现错误代码。对于某些错误, 支持代码(错误编号)会显示在计算机屏幕上。

### 当支持代码和信息显示在计算机屏幕上时(Windows):



### 打印机(触摸屏)上显示支持代码和信息时:



有关如何解决错误的详细资料, 请参见[与错误对应的支持代码列表](#)。

### ►► 注释

- 有关如何解决不带支持代码的错误的详细资料, 请参见[出现信息\(支持代码\)](#)。

## 出现信息(支持代码)

本节描述可能出现的部分错误和信息。

### »» 注释

- 计算机上会显示某些错误的支持代码(错误编号)。有关带支持代码的错误的详细资料，请参见[与错误对应的支持代码列表](#)。

如果触摸屏上显示信息，请参见以下内容。

#### ■ [触摸屏上出现信息](#)


如果计算机上出现信息，请参见以下内容。

- [显示与自动双面打印有关的错误](#)
- [显示有关电源线被拔出的错误\(Windows\)](#)
- [写入错误/输出错误/通讯错误\(Windows\)](#)
- [其他错误信息\(Windows\)](#)

### Q 触摸屏上出现信息

#### A

检查信息并采取适当措施。

- **上次电源未正确关闭。请在关闭电源时按  按钮。**  
打印机电源线可能在电源还处于开启状态时被拔出。  
选择触摸屏上的 **OK**。

### »» 注释

- 请参见[拔出打印机插头](#)以正确拔出打印机插头。
- **无法连接至服务器。请稍候并重试。**  
由于通讯错误，打印机无法连接到服务器。  
选择触摸屏上的 **OK**，过一段时间后重试。

### Q 显示与自动双面打印有关的错误

#### A

**检查** 请参见自动双面打印的问题，并采取适当措施。

## 显示有关电源线被拔出的错误(Windows)

### 

打印机插头可能在其处于开启状态时被拔出。

检查计算机屏幕上显示的错误信息，并单击**确定**。

打印机开始打印。

请参见[拔出打印机插头](#)了解关于拔出电源线的问题。

## 写入错误/输出错误/通讯错误 (Windows)

### 

**检查 1** 如果**电源**指示灯已熄灭，请确保插入打印机插头并将其开启。

打印机正在初始化时，**电源**指示灯会闪烁。请等待至**电源**指示灯停止闪烁并持续亮起。

**检查 2** 确保打印机已正确连接到计算机。

如果正在使用 USB 电缆线，确保其已稳固地连接到打印机和计算机。USB 电缆线插头已稳固地插入时，请检查以下内容：

- 如果正在使用机电设备(如 USB 集线器)，请断开连接，将打印机直接连接到计算机，并重试打印。如果打印正常开始，则机电设备有问题。请与机电设备厂商联系。
- 也可能是 USB 电缆线有问题。更换 USB 电缆线并重试打印。

如果通过 LAN 使用打印机，请确保已正确设置打印机以供网络使用。

**检查 3** 确保 MP Drivers 安装正确。

按照删除不需要的 MP Drivers 中描述的步骤卸载 MP Drivers，然后从安装光盘或 Canon 网站重新安装。

**检查 4** 使用 USB 电缆线将打印机连接到计算机时，从计算机检查设备状态。

请按照以下步骤检查设备状态。

1. 选择**控制面板** > **程序** > **程序和功能**。

#### 注释

- 如果出现**用户帐户控制**屏幕，请选择**继续**。

2. 双击**通用串行总线控制器**，然后双击 **USB 打印支持**。

如果没有显示 **USB 打印支持属性**屏幕，请确保打印机已正确连接到计算机。

 **检查 2** [确保打印机已正确连接到计算机。](#)

3. 单击**常规**选项卡并检查设备问题。

如果显示设备错误，请参见 Windows 帮助以解决该错误。

## 其他错误信息(Windows)

---

### 

**检查** 如果打印机状态监视器外出现错误信息，请检查以下内容：

- “**硬盘空间不足，无法成功地执行后台处理**”

删除不需要的文件以增加磁盘可用空间。

- “**内存不足，无法成功地执行后台处理**”

关闭其他应用程序以增加可用的内存。

如果仍然无法打印，请重新启动计算机并重试打印。

- “**找不到打印机驱动程序**”

按照删除不需要的 MP Drivers 中描述的步骤卸载 MP Drivers，然后从安装光盘或 Canon 网站重新安装。

- “**无法打印应用程序名称 - 文件名称**”

完成当前作业后，请再次试打印。

## 与错误对应的支持代码列表

发生错误时，支持代码显示在触摸屏和计算机屏幕上。

“支持代码”表示错误编号，并伴随错误信息一起出现。

发生错误时，检查显示在触摸屏或计算机屏幕上的支持代码并采取适当响应措施。

### 触摸屏和计算机屏幕上出现支持代码

#### • 1000 到 1ZZZ

[1000](#) 1001 1002 [1003](#) 1013

[1200](#) 1240 1270 [1300](#) [1303](#) [1304](#)

1309 1310 [1313](#) [1401](#) 1403 1405

140B 1410 1411 1412 1413 1414

1551 1552 [1600](#) [1660](#) 1684 [1688](#)

[1689](#) 168C [1700](#) 1701 1730 1731

1830 1850 1851 1855 1856 1857

1871 1874 [1890](#)

#### • 2000 到 2ZZZ

[2110](#) 2113 2114 2120 2123 2500

2700 2801 2802 2803

#### • 3000 到 3ZZZ

3402 3403 3404 3405 3406 3407

3408 340A 340B 340C 340D 340E

3410 3411 3412 3413 3438 3439

3440 3441 3442 3443 3444 3445

3446 3447

#### • 4000 到 4ZZZ

4100 [4103](#) 4104 495A

#### • 5000 到 5ZZZ

[5011](#) [5012](#) 5040 5050 [5100](#) [5200](#)

520E 5400 5700 [5B00](#) 5B01 5C02

• **6000 到 6ZZZ**

[6000](#) 6001 6004 6500 6502 6800

6801 6830 6831 6832 6833 6900

6901 6902 6910 6911 6920 6921

6930 6931 6932 6933 6934 6935

6936 6937 6938 6940 6941 6942

6943 6944 6945 6946 6951 6A80

6A81 6D01

• **7000 到 7ZZZ**

7500 7600 7700 7800

• **8000 到 8ZZZ**

8300

• **A000 到 ZZZZ**

[C000](#)

有关卡纸支持代码，另请参见[与错误对应的支持代码列表\(卡纸\)](#)。

## 与错误对应的支持代码列表(卡纸)

---

如果卡纸，请按照如下所示的适当步骤取出卡纸。

- 如果在出纸槽中或后端托盘中可以看到卡纸：
  - [1300](#)
- 如果在出纸槽中或后端托盘中无法看到卡纸：
  - 如果从纸盒中送入的纸张发生卡纸：
    - [1303](#)
  - 如果执行自动双面打印时卡纸：
    - [1304](#)
  - 如果由于打印机卷入已打印的纸张而发生卡纸：
    - [1313](#)
  - 如果纸张撕裂且无法从出纸槽中取出卡纸，或如果打印机内部发生卡纸：
    - [打印机内卡纸](#)
- 如果文档卡在 ADF(自动输稿器)中：
  - [2801](#)
- 除上述以外的其他情况：
  - [其他情况](#)



## 原因

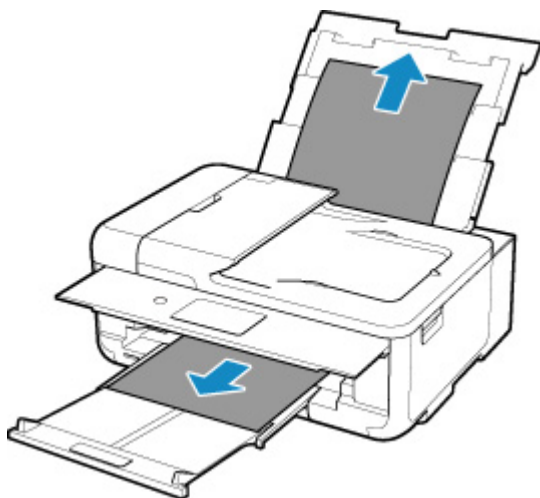
从后端托盘送入纸张时卡纸。

## 处理方法

如果从后端托盘中送入的纸张发生卡纸，请按照以下说明从出纸槽或后端托盘中取出卡纸。

1. 请从出纸槽或后端托盘选择较容易拉出的一端，慢慢地拉出纸张。

用双手托住纸张，然后慢慢将其拉出以免撕裂。



### 注 释

- 如果无法拉出卡纸，请重新开启打印机，无需强行拉出。纸张可能会自动输出。
- 如果在打印过程中卡纸，并且需要关闭打印机才能将其取出，请在关闭打印机前点击**停止**以停止打印。
- 如果纸张撕裂且无法从出纸槽或后端托盘中取出卡纸，则从打印机内部取出卡纸。

#### ■ 打印机内卡纸

- 如果无法从出纸槽或后端托盘拉出纸张，请尝试从打印机的背面拉出纸张。

#### ■ 从背面取出卡纸

2. 重新装入纸张，然后选择打印机触摸屏上的 **OK**。

打印机恢复打印。如果正在打印的页面因为卡纸而未正确打印，请重新打印该页。

如果在步骤 1 中关闭打印机，将清除发送到打印机的打印数据。重新打印。

### 注 释

- 重新装入纸张时，请确保使用合适的纸张并将其正确装入打印机。
- 建议使用除 A5 以外的纸张尺寸打印照片或图形文档。A5 纸张在从打印机输出时，可能会卷曲并卡纸。

如果以上措施未能解决问题，请与最近的 Canon 服务中心联系以要求维修。

## 原因

从纸盒送入纸张时卡纸。

## 处理方法

### 1. 取出卡纸。

- 如果出纸槽中卡纸：

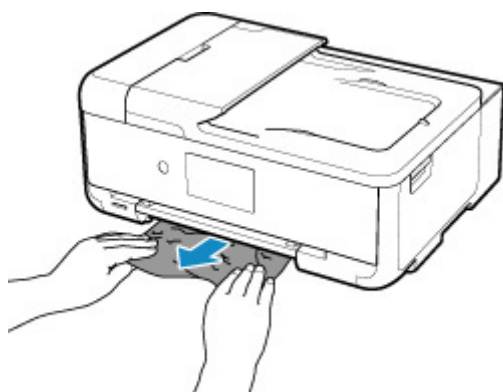
■ [1300](#)

- 如果打印机内卡纸：

■ [打印机内卡纸](#)

- 如果纸盒的输送器中卡纸：

拉出纸盒，然后用双手慢慢取出纸张。



- 如果以上均不适用，请参见[从背面取出卡纸](#)以打开后盖并取出纸张。

### 2. 在纸盒中正确装入纸张。

■ [在纸盒中装入纸张](#)

### 3. 重新执行打印或复印。

## 原因

执行自动双面打印时卡纸。

## 处理方法

### 1. 取出卡纸。

- 如果出纸槽中卡纸：

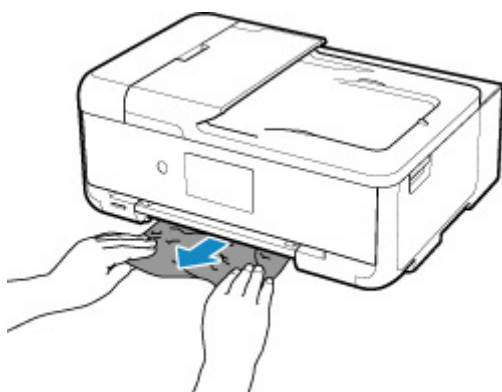
- [1300](#)

- 如果打印机内卡纸：

- [打印机内卡纸](#)

- 如果纸盒的输送器中卡纸：

拉出纸盒，然后用双手慢慢取出纸张。



- 如果以上均不适用，请参见[从背面取出卡纸](#)以打开后盖并取出纸张。

### 2. 正确装入纸张。

- [在纸盒中装入纸张](#)

- [在后端托盘中装入纸张](#)

### 3. 重新执行打印或复印。

### 原因

由于打印机卷入已打印的纸张而发生卡纸。

### 处理方法

如果由于打印机卷入已打印的纸张发生卡纸，请尝试从以下位置取出纸张。

- 出纸槽
  - [1300](#)
- 打印机内部
  - [打印机内卡纸](#)

如果以上措施未能解决问题，请参见[从背面取出卡纸](#)以打开后盖并取出纸张。

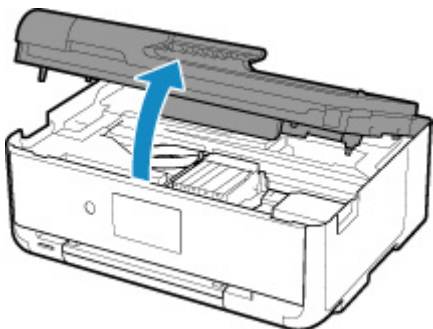
## 打印机内卡纸

如果卡纸撕裂且无法从出纸槽中取出，或如果卡纸留在打印机内，请按照以下说明取出卡纸。

### »» 注释

- 如果在打印过程中卡纸，并且需要关闭打印机才能将其取出，请在关闭打印机前点击**停止**以停止打印。

1. 关闭打印机并拔出插头。
2. 打开扫描单元/机盖。



### »» 重要事项

- 请勿触摸白色带子(A)。

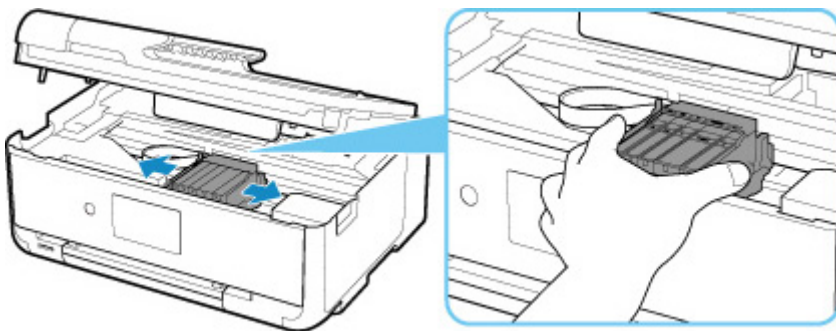


如果用纸张或手碰到这个部件而将其弄脏或划伤，可能会损坏打印机。

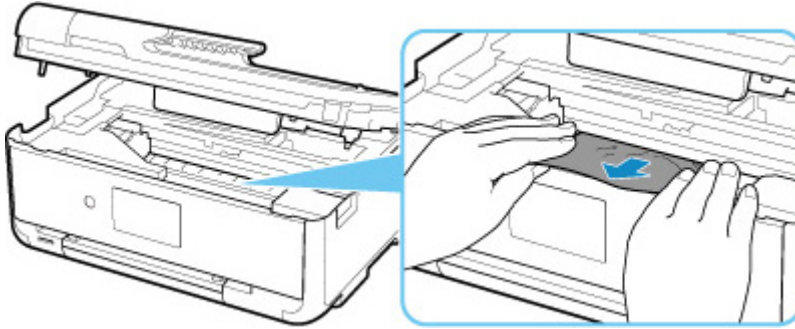
3. 检查卡纸是否在打印头固定器下方。

如果卡纸在打印头固定器下方，请将打印头固定器移动到右边缘或左边缘(更容易取出卡纸的一侧)。

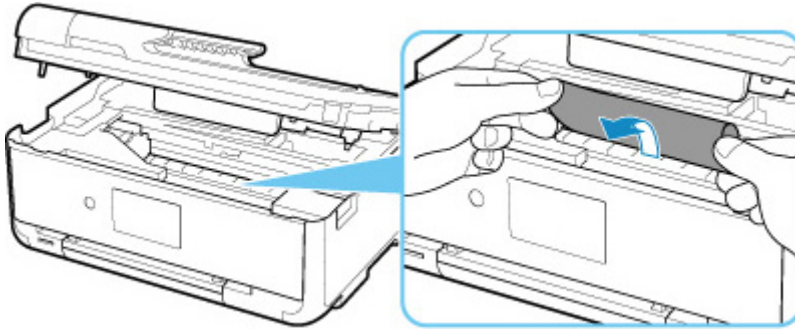
移动打印头固定器时，握住打印头固定器的顶端并慢慢地将其移动到右边缘或左边缘。



#### 4. 用双手紧握卡纸。

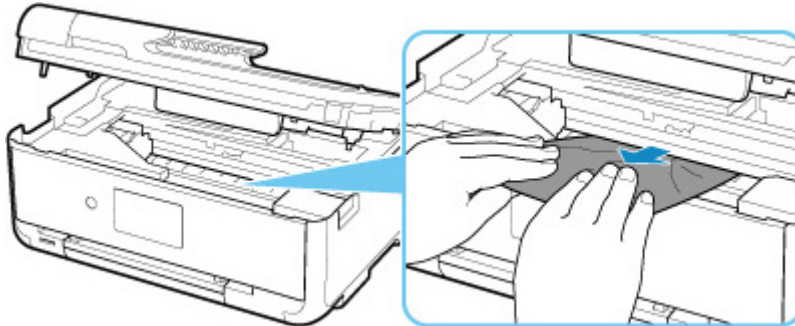


如果纸张卷曲，将其拉出。



#### 5. 慢慢拉出纸张以免其撕裂。

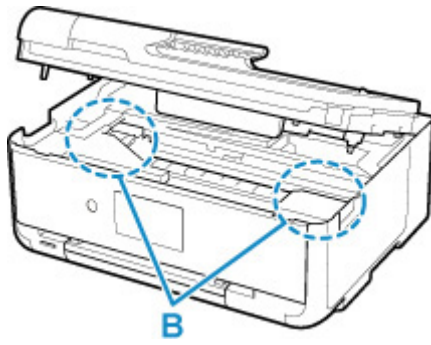
以约 45 度的倾斜角度拉出纸张。



#### 6. 确保已取出所有卡纸。

如果拉出纸张时纸张撕裂，打印机内可能残留纸张碎片。检查以下各项并取出所有残留纸张。

- 打印头固定器下方是否有纸张残留？
- 打印机内部是否有纸张碎片残留？
- 打印机内部的左侧和右侧空间(B)是否有纸张残留？



## 7. 关闭扫描单元/机盖。

打印队列中所有的作业将被取消。重新打印。

### ▶▶▶ 注释

- 重新装入纸张时，请确保使用合适的纸张并将其正确装入打印机。如果取出所有卡纸后恢复打印时，触摸屏或计算机屏幕上出现卡纸信息，说明打印机内可能仍残留纸张碎片。再次检查打印机是否有任何残留纸张碎片。

如果以上措施未能解决问题，请与最近的 Canon 服务中心联系以要求维修。

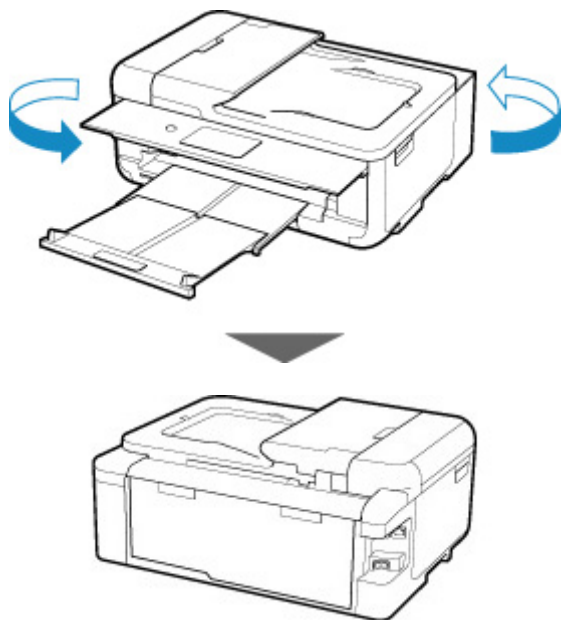


## 从背面取出卡纸

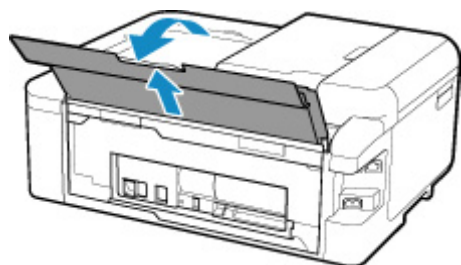
### 注釋

- 如果在打印过程中卡纸，并且需要关闭打印机才能将其取出，请在关闭打印机前点击**停止**以停止打印。

1. 转动打印机使打印机的背面朝向自己。

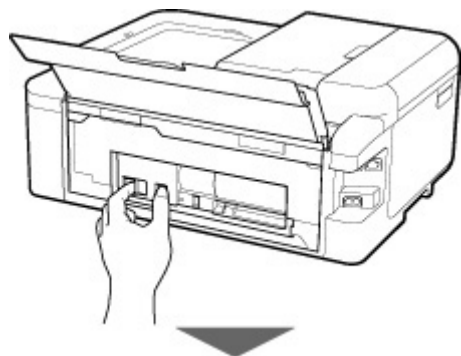


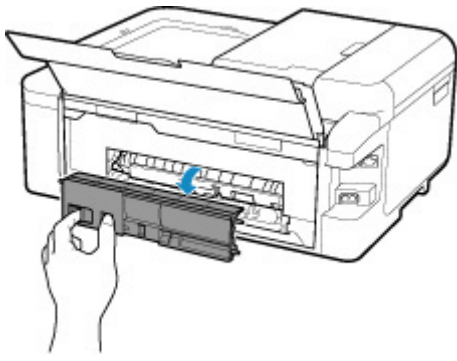
2. 打开后端托盘盖，然后向上拉动靠纸架。



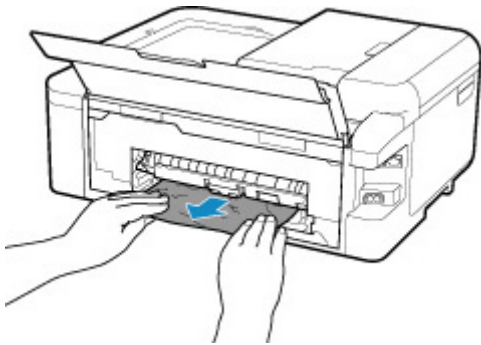
3. 取下后盖。

拉出后盖。





4. 慢慢地拉出卡纸。



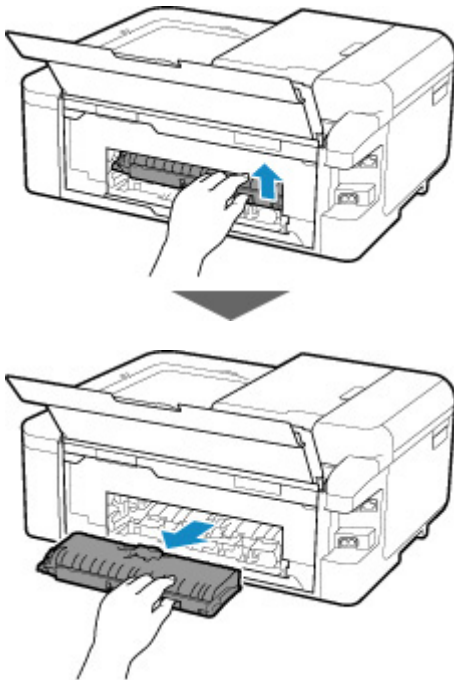
#### 注釋

- 请勿触摸打印机的内部部件。

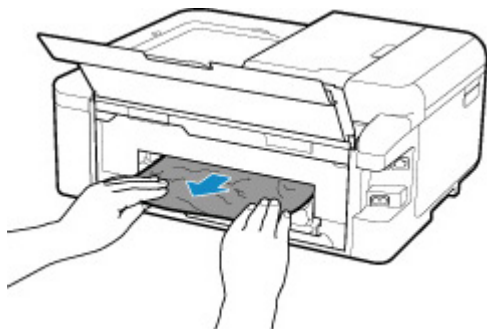
如果在此步骤中无法取出卡纸，请按照以下步骤取下传送单元盖并取出纸张。

1. 取下传送单元盖。

抬起传送单元盖，然后将其拉出。



2. 慢慢地拉出卡纸。



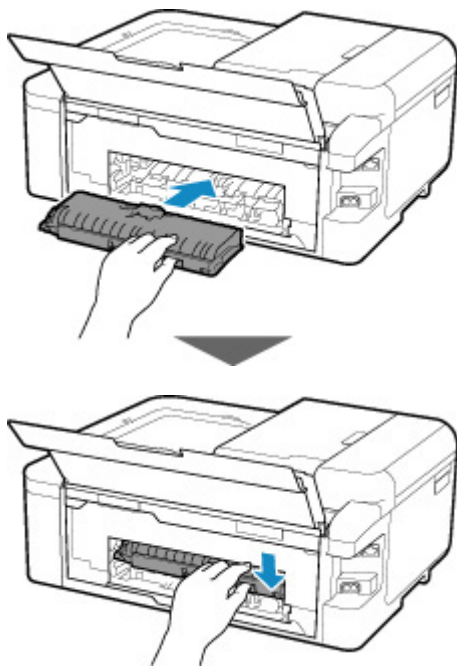
►► 注释

- 请勿触摸打印机的内部部件。

3. 确保已取出所有卡纸。

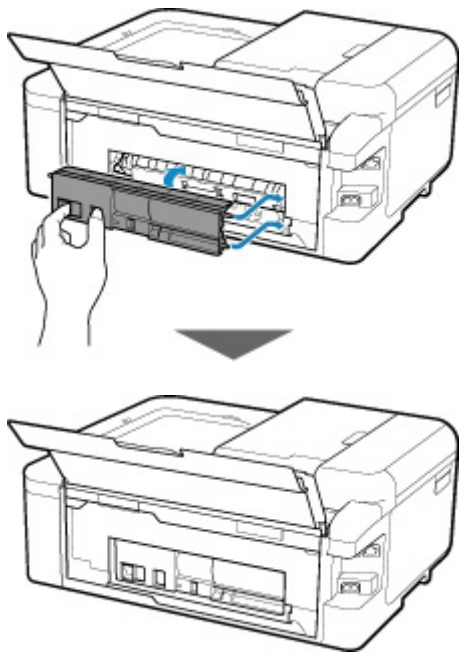
4. 安装传送单元盖。

慢慢地将传送单元盖完全插入打印机，然后按下传送单元盖。



5. 安装后盖。

将后盖右侧的凸起部分插入打印机，然后推动后盖的左侧直至其完全关闭。



如果以上措施未能解决问题，请与最近的 Canon 服务中心联系以要求维修。

## 原因

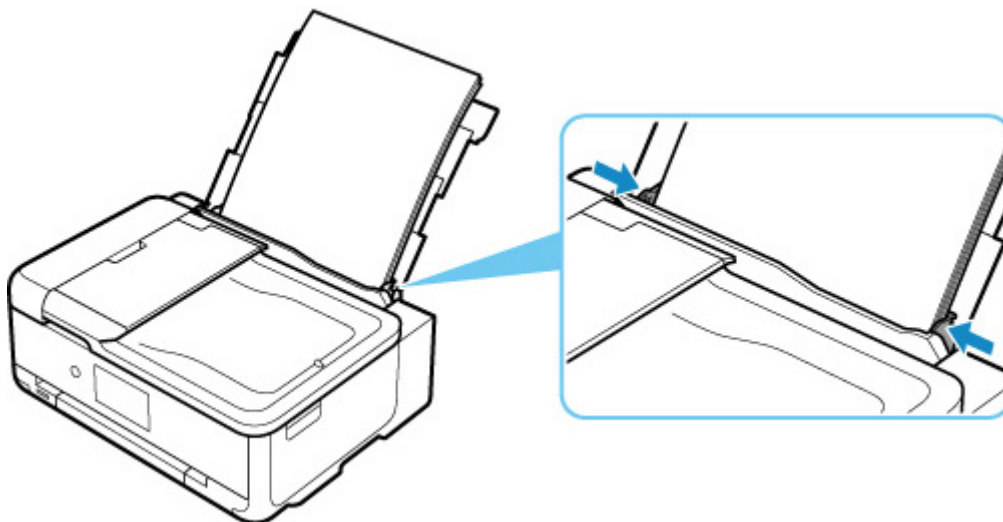
可能包括以下原因。

- 后端托盘缺纸。
- 纸张未正确装入后端托盘。

## 处理方法

采取以下相应解决方法。

- 请将纸张装入后端托盘中。
  - [在后端托盘中装入纸张](#)
- 在后端托盘中装入纸张时，将纸张导片与纸张的两个边缘对齐。



- 设置后端托盘中纸张的纸张信息。

采取上述措施后，选择触摸屏上的 **OK**。

### 重要事项

- 将纸张装入后端托盘后，务必关闭进纸插槽盖板。如果进纸插槽盖板打开，纸张将无法送入。

### 注释

- 将纸张装入后端托盘后，将出现设置后端托盘纸张信息的屏幕。设置后端托盘中纸张的纸张信息。
- 要取消打印，请点击触摸屏上的**停止**。

## 原因

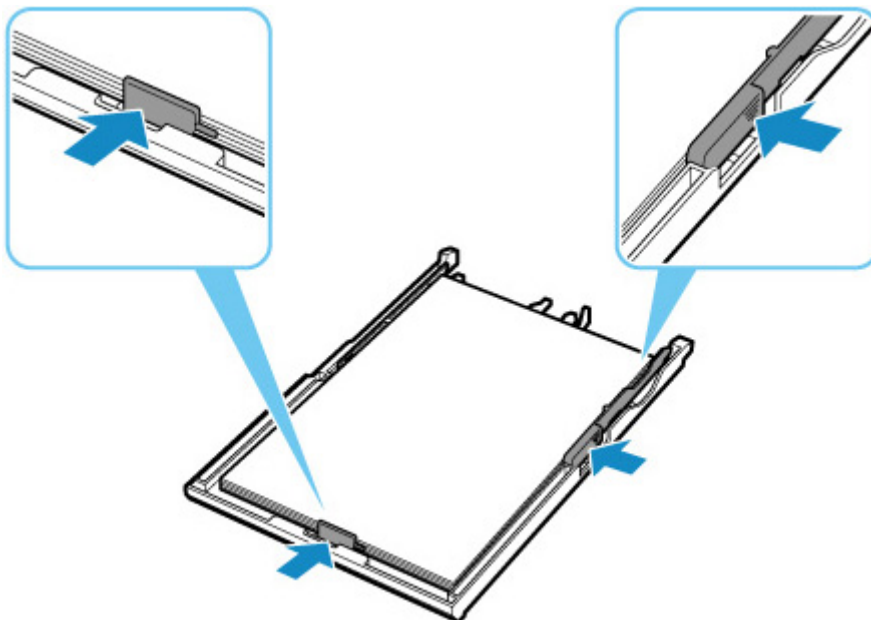
可能包括以下原因。

- 纸盒无纸。
- 纸张未正确装入纸盒。

## 处理方法

采取以下相应解决方法。

- 在纸盒中装入纸张。
  - [在纸盒中装入纸张](#)
- 在纸盒中装入纸张时，将纸张导片与纸张的两个边缘对齐。



- 设置纸盒中纸张的纸张信息。

采取上述措施后，选择触摸屏上的 **OK**。

### 注 释

- 插入纸盒后，将出现设置纸盒纸张信息的屏幕。设置纸盒中纸张的纸张信息。
- 根据纸张来源，可装入的纸张会有所不同。

纸盒中可装入的纸张为 A4、Letter、A5 或 B5 尺寸的普通纸。

- 要取消打印，请点击触摸屏上的**停止**。

## 1200

---

### 原因

扫描单元/机盖已打开。

### 处理方法

关闭扫描单元/机盖并等待片刻。

更换墨水盒时请勿将其合上。

## 1401

---

### 原因

打印头可能已损坏。

### 处理方法

关闭打印机，然后重新开启。

如果此操作未能解决问题，请与最近的 Canon 服务中心联系以要求维修。



### 原因

墨水可能已用完。

### 处理方法

建议更换墨水盒。

如果打印正在进行并希望继续打印，请在不取出墨水盒的情况下点击打印机上的 **OK**。然后可以继续打印。建议在打印完毕之后更换墨水盒。如果在墨水用完的情况下继续打印，打印机可能会被损坏。

## 1660

---

### 原因

无法识别墨水盒。

### 处理方法

因为未安装墨水盒或墨水盒不支持本打印机，所以无法执行打印。

请检查墨水盒。

如果要取消打印，请点击打印机上的**停止**。

## 原因

墨水已用完。

## 处理方法

请更换墨水盒，然后关闭扫描单元/机盖。

在当前情况下进行打印，可能会损坏打印机。

如果希望在这种情况下继续打印，您需要禁用剩余墨水量检测功能。触摸打印机上的**停止**至少 5 秒，然后松开。

如果执行该操作，禁用剩余墨水量检测功能将被记录。请注意，对于可能因在墨水用完的情况下继续打印而导致的故障或问题，Canon 将不承担任何责任。

## ▶▶▶ 注释

- 如果禁用剩余墨水量检测功能，检查当前估计墨水量时，触摸屏上的墨水盒会显示为白色。

## 原因

打印机检测出墨水用完情况。

## 处理方法

请更换墨水盒，然后关闭扫描单元/机盖。

安装了用尽过的墨水盒。

在墨水用完的情况下进行打印，可能会损坏打印机。

如果希望继续打印，您需要禁用剩余墨水量检测功能。要禁用该功能，请触摸打印机上的**停止**至少 5 秒，然后松开。

如果执行该操作，禁用剩余墨水量检测功能将被记录。请注意，对于因在墨水用完的情况下继续打印或使用再填充墨水盒而导致的任何故障或问题，Canon 将不承担任何责任。

## ▶▶▶ 注释

- 如果禁用剩余墨水量检测功能，检查当前估计墨水量时，触摸屏上的墨水盒会显示为白色。

## 1700

---

### 原因

墨水收集器将满。

### 处理方法

选择触摸屏上的 **OK** 继续打印。请与最近的 Canon 服务中心联系以要求维修。

### ▶▶ 注释

- 如果因剩余墨水量而导致出现警告或错误，打印机将无法打印或扫描。

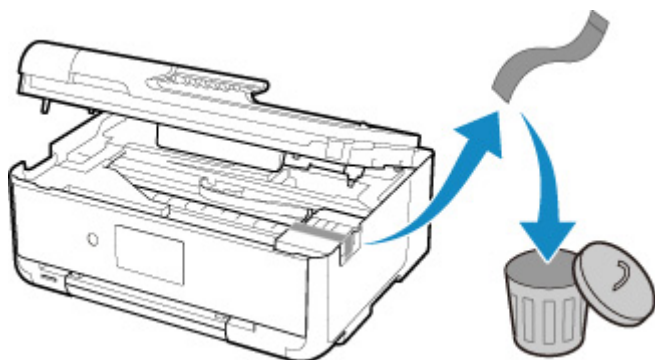
## 原因

可能没有取下运输过程中用于固定打印头固定器的胶带。

## 处理方法

打开扫描单元/机盖，确保已取下运输过程中用于固定打印头固定器的胶带。

如果胶带还未取下，请将其取下并关闭扫描单元/机盖。



如果此操作未能解决问题，请与最近的 Canon 服务中心联系以要求维修。

## 原因

用于打印或复印的纸张设置与打印机上设置的纸盒纸张信息不匹配。

### 注释

- 有关打印机驱动程序或触摸屏上所做纸张设置之间的正确对应关系，请参见以下内容。

- [打印机驱动程序和打印机上的纸张设置\(介质类型\)\(Windows\)](#)

- [打印机驱动程序和打印机上的纸张设置\(纸张尺寸\)\(Windows\)](#)

- 对于复印，请进行复印纸张设置，以与打印机上设置的纸盒纸张信息相匹配。
- 有关打印机上设置的纸盒纸张信息的详细资料，请参见以下内容。

- [纸张设置](#)

如果用于打印或复印的纸张设置与打印机上设置的纸盒纸张信息不匹配(如下所示)，则触摸屏上会出现信息。

- 打印机驱动程序上指定的打印设置：

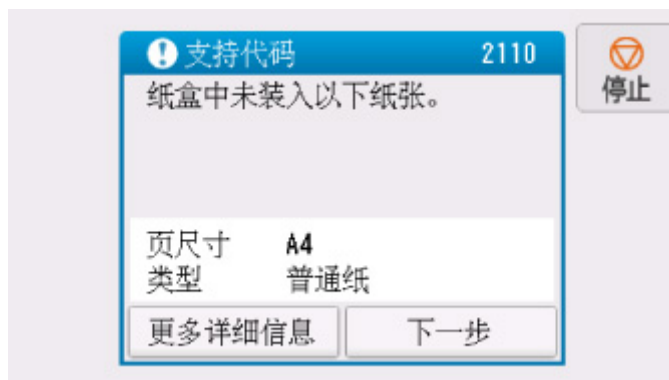
纸张尺寸：A5

介质类型：普通纸

- 打印机上设置的纸盒纸张信息：

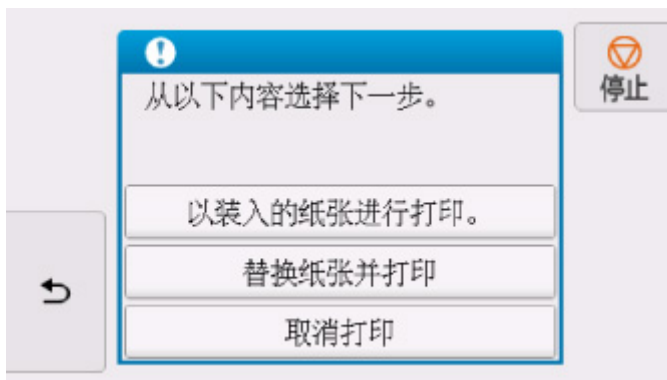
纸张尺寸：A4

介质类型：普通纸



## 处理方法

选择触摸屏上的下一步以显示以下屏幕。



选择适当操作。

### »» 注释

- 根据设置的不同，可能不会显示以下部分选项。

#### 以装入的纸张进行打印。

选择此选项可在不更改纸张设置的情况下在纸盒中的纸张上进行打印或复印。

例如，如果用于打印或复印的纸张设置为 A5，而纸盒纸张信息中的设置是 A4，则将在纸盒中的纸张上使用 A5 尺寸设置进行打印或复印。


#### 替换纸张并打印

选择此选项可在更改纸盒中的纸张后进行打印。

例如，如果用于打印或复印的纸张设置为 A5，而纸盒纸张信息中的设置是 A4，请将纸盒中的纸张更改为 A5 纸张，然后继续进行打印或复印。

更改纸张后纸盒一经插入，将出现设置纸盒纸张信息的屏幕。设置纸盒中纸张的纸张信息。

### »» 注释

- 如果不知道要设置哪些纸张信息，请点击  (返回)。将出现上一屏幕，其中显示纸张尺寸和介质类型。检查纸张设置并将其设置为纸盒纸张信息。
- 有关打印机驱动程序或触摸屏上所做纸张设置之间的正确对应关系，请参见以下内容。
  - [打印机驱动程序和打印机上的纸张设置\(介质类型\)\(Windows\)](#)
  - [打印机驱动程序和打印机上的纸张设置\(纸张尺寸\)\(Windows\)](#)

#### 取消打印

取消打印。

想要更改打印或复印纸张设置时，请选择此选项。更改纸张设置并重试打印。

### »» 注释

- 要隐藏防止误打印的信息，请按如下所述更改设置。隐藏信息时，无论纸张是否与设置匹配，打印机都会使用用于打印或复印的纸张设置在纸盒中的纸张上进行打印或复印。
  - 要更改使用打印机操作面板进行打印或复印时的信息视图设置：
    - [送纸设置](#)
  - 要更改使用打印机驱动程序进行打印时的信息视图设置：
    - [更改打印机操作模式\(Windows\)](#)





## 4103

---

### 原因

使用当前打印设置无法执行打印。

### 处理方法

点击触摸屏上的**停止**以取消打印。

然后，更改打印设置并重试打印。

## 5011

---

### 原因

发生打印机错误。

### 处理方法

关闭打印机并拔出插头。

重新插入打印机插头，然后重新开启。

如果此操作未能解决问题，请与最近的 Canon 服务中心联系以要求维修。

## 5012

---

### 原因

发生打印机错误。

### 处理方法

关闭打印机并拔出插头。

重新插入打印机插头，然后重新开启。

如果此操作未能解决问题，请与最近的 Canon 服务中心联系以要求维修。

## 原因

发生打印机错误。

## 处理方法

取消打印并关闭打印机。

检查以下各项：

- 确保打印头固定器的移动不受运输过程中用于固定打印头固定器的胶带、卡纸等阻碍。  
移除所有障碍物。
- 确保墨水盒已正确安装。  
按墨水盒，直至其锁定到位。

再次开启打印机。

如果此操作未能解决问题，请与最近的 Canon 服务中心联系以要求维修。

### 重要事项

- 清除妨碍打印头固定器移动的障碍物时，请注意不要触摸白色带子(A)。



如果用纸张或手碰触到这个部件而将其弄脏或划伤，可能会损坏打印机。

## 5200

---

### 原因

发生打印机错误。

### 处理方法

关闭打印机并拔出插头。

一段时间后，重新插入打印机插头并再次启动。

如果此操作未能解决问题，请与最近的 Canon 服务中心联系以要求维修。

## 5B00

---

### 原因

发生打印机错误。

### 处理方法

请与最近的 Canon 服务中心联系以要求维修。

### ▶▶ 注释

- 如果因剩余墨水量而导致出现警告或错误，打印机将无法打印或扫描。

## 6000

---

### 原因

发生打印机错误。

### 处理方法

如果发生卡纸，请根据卡纸位置和原因取出纸张。

#### ■ [与错误对应的支持代码列表\(卡纸\)](#)

关闭打印机并拔出插头。

重新插入打印机插头，然后重新开启。

如果此操作未能解决问题，请与最近的 Canon 服务中心联系以要求维修。



## C000

### 原因

发生打印机错误。

### 处理方法

取消打印并关闭打印机。

检查以下各项：

- 确保打印头固定器的移动不受运输过程中用于固定打印头固定器的胶带、卡纸等阻碍。  
移除所有障碍物。
- 确保墨水盒已正确安装。  
按墨水盒，直至其锁定到位。

再次开启打印机。

如果此操作未能解决问题，请与最近的 Canon 服务中心联系以要求维修。

### 重要事项

- 清除妨碍打印头固定器移动的障碍物时，请注意不要触摸白色带子(A)。



如果用纸张或手碰触到这个部件而将其弄脏或划伤，可能会损坏打印机。